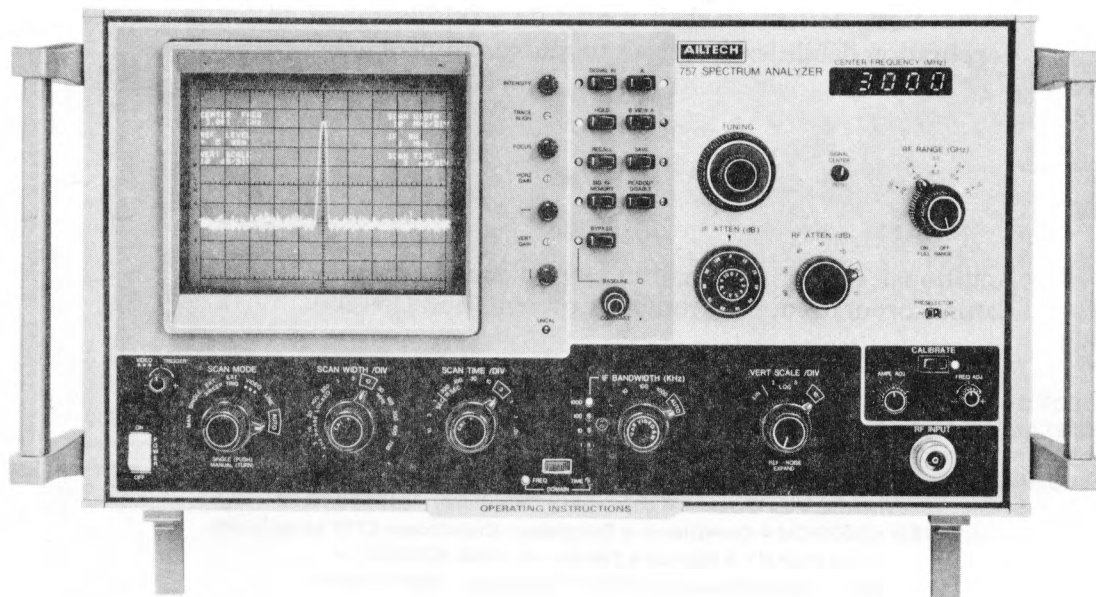


# OPERATION AND MAINTENANCE MANUAL

## AILTECH 757 SPECTRUM ANALYZER



PRINTED IN U.S.A.

SEPTEMBER 1980

**EATON** Advanced  
Electronics

Eaton Corporation  
Electronic Instrumentation Division  
Ronkonkoma, New York 11779

## **WARRANTY**

This instrument is protected by a full one year warranty against defects in workmanship and materials, except for fuses, which carry no warranty. Eaton Corporation, in connection with equipment sold, agrees to correct any defect in workmanship or material which may develop during the period of one year from the date of shipment under proper or normal use and not in excess of the original manufacturer's life expectancy ratings, by its option to repair or replace, FOB point of shipment, the defective part or parts. Such correction shall constitute a fulfillment of all Eaton Corporation liabilities in respect to said instrument.

## **SERVICE**

Additional service information can be made available by calling Eaton Corporation, Electronic Instrumentation Division.

### **PRODUCT OF:**

**LONG ISLAND OPERATION • 2070 Fifth Avenue • Ronkonkoma, N.Y. 11779 • Telephone: (516) 588-3600**

---

**LOS ANGELES OPERATION • 5340 Alla Road • Los Angeles, Ca. 90066 • Telephone: (213) 822-3061**

**FRANCE • La Garenne – Colombes • Telephone: (01) 780-73-73**

**UNITED KINGDOM • Crowthorne • Telephone: Crowthorne 5777 (Area 3446)**

**GERMANY • Munich • Telephone: (089) 5233023-24**

**HOLLAND • Rozenburg N-H • Telephone: (02977) 29376**



**FOREWORD**

The AILTECH 757 Spectrum Analyzer manual contains general information relating to the operational characteristics of the instrument and information required to service and maintain the instrument. Included are schematics, troubleshooting procedures, and replaceable parts list.



TABLE OF CONTENTS

<u>Paragraph</u>	<u>Title</u>	<u>Page</u>
<b>SECTION 1 – GENERAL INFORMATION</b>		
1-1	Introduction . . . . .	1-1
1-5	Equipment Description . . . . .	1-2
1-8	Options . . . . .	1-2
1-9	Option 001 Increased Sensitivity . . . . .	1-2
1-10	Option 002 Receiver . . . . .	1-2
1-11	Option 014 Low Band Range Extension . . . . .	1-2
1-12	Option 046 Camera . . . . .	1-2
1-13	Option 049 Rack Mounting Adapter . . . . .	1-2
1-14	Option 050 Slide Mounting Adapter . . . . .	1-2
1-15	Option 051 Transit Case . . . . .	1-2
1-16	Option 080 Powerline . . . . .	1-2
1-17	Option 100 100 Hz IF Filter . . . . .	1-2
1-18	Option 300 300 Hz IF Filter . . . . .	1-2
1-19	Specifications . . . . .	1-2
1-21	Equipment Required But Not Supplied . . . . .	1-8
1-23	Recommended Test Equipment . . . . .	1-8
1-25	Periodic Maintenance . . . . .	1-8
1-27	Safety Considerations . . . . .	1-8
1-30	Safety Procedures . . . . .	1-12
<b>SECTION 2 – INSTALLATION</b>		
2-1	Introduction . . . . .	2-1
2-3	Unpacking and Inspection . . . . .	2-1
2-5	Handling Instructions . . . . .	2-1
2-7	Tools and Materials Required for Installation . . . . .	2-1
2-9	Input Requirements . . . . .	2-1
2-11	Installation Procedures . . . . .	2-2
2-13	Initial Turn-on and Preliminary Tests . . . . .	2-2
2-15	Recommended Test Equipment . . . . .	2-2
2-17	Preliminary Test Procedures . . . . .	2-2
2-19	Frequency Accuracy Test . . . . .	2-5
2-20	Phase Lock Test . . . . .	2-5
2-21	IF Bandwidth Test . . . . .	2-5
2-22	Vertical Scale Test . . . . .	2-6
2-23	Display Control Function Test . . . . .	2-6
2-24	Amplitude Accuracy Test . . . . .	2-6
<b>SECTION 3 – OPERATION</b>		
3-1	Introduction . . . . .	3-1
3-3	Controls, Indicators and Connectors . . . . .	3-1
3-5	Operating Procedures . . . . .	3-1
3-7	Preliminary Control Settings for Signals of Known Frequency . . . . .	3-1
3-8	Preliminary Control Settings for Signals of Unknown Frequency . . . . .	3-1
3-9	Frequency Measurements . . . . .	3-1
3-10	Improving Accuracy of Frequency Measurement . . . . .	3-9
3-11	Amplitude Measurements . . . . .	3-10
3-15	Time Domain (Zero Scan) Measurements . . . . .	3-11

## TABLE OF CONTENTS (Continued)

<u>Paragraph</u>	<u>Title</u>	<u>Page</u>
3-18	Bandwidth Effects. . . . .	3-11
3-20	Narrowband Spectrum Analysis . . . . .	3-12
3-21	Broadband Spectrum Analysis. . . . .	3-12
<b>SECTION 4 – PERFORMANCE TESTS AND CALIBRATION</b>		
4-1	Introduction . . . . .	4-1
4-4	Identification and Description. . . . .	4-1
4-6	Test Equipment Requirements . . . . .	4-3
4-8	Preliminary Operations . . . . .	4-3
4-10	Calibration Process . . . . .	4-6
4-11	RF Attenuator 1A2A14 . . . . .	4-6
4-12	IF Attenuator 1A2A13 . . . . .	4-7
4-13	Display Accuracy . . . . .	4-8
4-14	Reference Level and Calibration Signal Level . . . . .	4-9
4-15	Sensitivity . . . . .	4-10
4-16	Residual Responses . . . . .	4-11
4-17	Frequency Accuracy . . . . .	4-11
4-18	Scan Width Accuracy . . . . .	4-13
4-19	Frequency Response . . . . .	4-14
4-20	IF Bandwidth Accuracy . . . . .	4-16
4-21	Scan Time Accuracy . . . . .	4-17
4-22	Noise Sideband Test . . . . .	4-18
4-23	Residual FM . . . . .	4-19
4-24	Scan Mode and Rear Panel Check . . . . .	4-20
<b>SECTION 5 – FUNCTIONAL DESCRIPTION</b>		
5-1	Introduction . . . . .	5-1
5-3	Overall Block Diagram Description . . . . .	5-1
5-5	RF Section . . . . .	5-1
5-6	Sweep Generator. . . . .	5-1
5-7	Yig Preselector . . . . .	5-2
5-9	Yig Oscillator . . . . .	5-2
5-10	Signal Processor. . . . .	5-2
5-12	Detailed Block Diagram Description . . . . .	5-2
5-13	RF Section . . . . .	5-2
5-22	IF Section . . . . .	5-8
5-26	Front Panel Assembly 1A2 . . . . .	5-8
5-39	Sweep Generator Assembly 1A11 . . . . .	5-9
5-40	Processed Video Assembly 1A12 . . . . .	5-9
5-41	Regulator/Bias Assembly 1A13. . . . .	5-9
5-42	Digital Display Assembly No. 2 1A14 . . . . .	5-10
5-43	Digital Display Assembly No. 1 1A15 . . . . .	5-10
5-44	Frequency/Power Reference Encoder Assembly 1A16 . . . . .	5-10
5-45	Character Generator and Data Encoder Assembly 1A17 . . . . .	5-10
5-46	Horizontal Timing Control Assembly 1A18 . . . . .	5-10
5-47	Display Timing and Horizontal Output Assembly 1A19 . . . . .	5-10
5-48	Pushbutton Interface and Line Generator Assembly 1A20 . . . . .	5-10
5-49	Data Digitizer and Memory Assembly 1A21 . . . . .	5-10
5-50	Signal Descriptions . . . . .	5-10
5-52	Input Signals . . . . .	5-10
5-75	Output Signals . . . . .	5-15

TABLE OF CONTENTS (Continued)

<u>Paragraph</u>	<u>Title</u>	<u>Page</u>
<b>SECTION 6 – ALIGNMENT AND ADJUSTMENT</b>		
6-1	Introduction . . . . .	6-1
6-4	Test Equipment Required . . . . .	6-1
6-6	Blade Tuning Tools . . . . .	6-1
6-7	Factory Selected Components . . . . .	6-1
6-9	Related Adjustments . . . . .	6-1
6-11	Adjustment Procedures . . . . .	6-1
6-12	Low Voltage Power Supply 1A4 and Regulator Bias Printed Circuit Board 1A13 Adjustments . . . . .	6-1
6-13	Horizontal and Vertical Alignments . . . . .	6-8
6-14	Band 1 Alignment . . . . .	6-10
6-15	Band 2 Alignment . . . . .	6-10
6-16	Band 3 Alignment . . . . .	6-11
6-17	Band 4 Alignment . . . . .	6-11
6-18	Band 5 Alignment . . . . .	6-12
6-19	End Band Limits Adjustment . . . . .	6-13
6-20	Full Range Marker Alignment . . . . .	6-13
6-21	Linear Adjustment . . . . .	6-14
6-22	Cathode Ray Tube Alignment . . . . .	6-14
6-23	IF Processor Assembly 1A10A1 Alignment . . . . .	6-14
6-24	RF Amplifiers 1A10A18 and 1A10A31 Adjustment . . . . .	6-15
6-25	Mixer Bias 1A10A4 Adjustment . . . . .	6-15
6-26	Filter Response Verification and Adjustments . . . . .	6-15
6-27	Local Oscillator 1A10A6 Alignment . . . . .	6-17
6-28	Loop Control 1A10A5 Alignment . . . . .	6-17
6-33	Phase Lock Alignment . . . . .	6-20
6-34	Auto Centering Alignment . . . . .	6-20
6-35	FM Calibration Alignment . . . . .	6-20
6-36	IF Gain Adjustment . . . . .	6-21
6-37	Power Readout Adjustment . . . . .	6-21
6-38	Expand Noise/Reference Adjustment . . . . .	6-21
6-39	Video Offset Adjustment . . . . .	6-22
6-40	CRT Controller Alignment . . . . .	6-22
6-41	Character and Total Digital Video Alignment . . . . .	6-22
6-42	Waveform Alignment . . . . .	6-23
6-43	Frequency Dispersion Adjustment . . . . .	6-23
6-44	Video Adjustment . . . . .	6-23
<b>SECTION 7 – TROUBLESHOOTING</b>		
7-1	Introduction . . . . .	7-1
7-3	General Information . . . . .	7-1
7-5	Basic Junction Transistor . . . . .	7-1
7-9	Field Effect Transistor . . . . .	7-3
7-10	Basic Logic Elements . . . . .	7-3
7-14	Integrated Circuits . . . . .	7-5
7-15	Operational Amplifiers . . . . .	7-5
7-16	Troubleshooting Index and Wire Run Lists . . . . .	7-5
7-18	Maintenance Turn-on Procedure . . . . .	7-5
7-20	Troubleshooting Procedures . . . . .	7-5
7-21	Switch Assemblies . . . . .	7-5
7-22	Bandwidth Printed Circuit Board 1A2A8 . . . . .	7-5

TABLE OF CONTENTS (Continued)

<u>Paragraph</u>	<u>Title</u>	<u>Page</u>
7-25	Pushbutton Switch Assembly 1A2A9 .....	7-5
7-28	Pushbutton Switch Assembly 1A2A10.....	7-10
7-31	Frequency Readout Printed Circuit Board 1A2A11.....	7-10
7-34	Tuner Assembly 1A2A12 .....	7-10
7-37	Low Voltage Power Supply 1A4 .....	7-11
7-41	Absolute Power Printed Circuit Board 1A6 .....	7-11
7-45	Log IF Amplifier Assembly 1A8 .....	7-12
7-48	IF Section .....	7-12
7-49	Second IF Converter 1A10A1A4 and IF Amplifier 1A10A1A5.....	7-13
7-52	IF Filters 1A10A1A2 and 1A10A1A3.....	7-13
7-55	IF Processor 1A10A1A1 .....	7-13
7-58	Local Oscillator 1A10A6.....	7-14
7-59	LCVCO Shaper Printed Circuit Board 1A10A6A1 .....	7-14
7-62	LCVCO Oscillator Printed Circuit Board 1A10A6A2.....	7-15
7-65	RF Amplifiers 1A10A18 and 1A10A31 .....	7-15
7-68	Mixer Bias 1A10A4 .....	7-15
7-71	Loop Control Assembly 1A10A5.....	7-15
7-84	Yig Driver Printed Circuit Board 1A10A12 and Yig Driver Heat Sink 1A10A32 .....	7-16
7-89	Sweep Generator Printed Circuit Board 1A11.....	7-17
7-97	Processed Video Printed Circuit Board 1A12.....	7-18
7-102	Regulator Bias Printed Circuit Board 1A13 .....	7-19
7-109	Digital Display Printed Circuit Board No. 2 1A14 .....	7-20
7-112	Digital Display Printed Circuit Board No. 1 1A15 .....	7-20
7-115	CRT Controller .....	7-21
7-116	Frequency and Power Reference Encoder Printed Circuit Board 1A16 .....	7-21
7-126	Character and Data Encoder Printed Circuit Board 1A17 .....	7-22
7-143	Horizontal Timing Printed Circuit Board 1A18 .....	7-24
7-151	Display Timing and Horizontal Output Printed Circuit Board 1A19 .....	7-25
7-159	Pushbutton Interface and Line Generator Printed Circuit Board 1A20.....	7-26
7-181	Data Digitizer and Memory Logic Printed Circuit Board 1A21 .....	7-30

SECTION 8 – REPLACEABLE PARTS LIST

8-1	Introduction .....	8-1
8-3	List of Major Components .....	8-1
8-5	Replaceable Parts List .....	8-1
8-7	Recommended Spare Parts List .....	8-1

APPENDIX A – 100/300 Hz FILTER OPTION

A-1	System Operation .....	A-1
A-2	Description .....	A-1
A-3	Operation .....	A-1
A-4	Specifications .....	A-1
A-5	Performance Test .....	A-2
A-6	100/300 Hz Filter Option Assembly 1A22 .....	A-2
A-7	Description .....	A-2
A-8	Operation .....	A-2

**LIST OF ILLUSTRATIONS**

<u>Figure</u>	<u>Title</u>	<u>Page</u>
1-1	757 Spectrum Analyzer and Accessories . . . . .	1-1
1-2	Service Kit. . . . .	1-9
2-1	Fuse Assembly . . . . .	2-2
2-2	Front Handles. . . . .	2-3
2-3	Rack Mount Option 049. . . . .	2-3
2-4	Slide Mount Option 050 . . . . .	2-9
3-1	757 Spectrum Analyzer Front Panel Controls, Indicators and Connector . . . . .	3-2
3-2	757 Spectrum Analyzer Rear Panel Connectors . . . . .	3-7
3-3	IF BANDWIDTH Selected by Spectrum Analyzer in AUTO Position . . . . .	3-12
3-4	Automatic Out-of-Range Blanking . . . . .	3-13
4-1	RF Attenuator Test Set-Up. . . . .	4-6
4-2	IF Attenuator, and Display Accuracy Test Set-Up . . . . .	4-7
4-3	Reference Level and Calibration Signal Level Test Set-Up. . . . .	4-9
4-4	Frequency Accuracy with Comb Generator Test Set-Up. . . . .	4-12
4-5	Frequency Accuracy with Frequency Meter Test Set-Up . . . . .	4-12
4-6	Scan Width Accuracy Test Set-Up. . . . .	4-14
4-7	Frequency Response Test Set-Up . . . . .	4-15
4-8	Scan Time Accuracy Test Set-Up . . . . .	4-17
4-9	Residual FM Test Waveform . . . . .	4-20
4-10	Residual FM Typical Waveform. . . . .	4-20
5-1	AILTECH 757 Spectrum Analyzer Simplified Block Diagram. . . . .	5-1
5-2	AILTECH 757 Spectrum Analyzer Detailed Block Diagram (2 Sheets). . . . .	5-3
6-1	Adjustable Component and Test Point Location Diagram For Card File Assemblies 1A11 Through 1A21. . . . .	6-7
6-2	Adjustable Component and Test Point Location Diagram For RF Range Switch Assemblies 1A2A3A1 Through 1A2A3A4 . . . . .	6-8
6-3	Test Waveform . . . . .	6-24
6-4	Test Waveform . . . . .	6-24
7-1-A	NPN Transistor Biasing . . . . .	7-1
7-1-B	PNP Transistor Biasing . . . . .	7-2
7-2	Transistor Types . . . . .	7-3
7-3	FET Biasing. . . . .	7-4
7-4	Integrated Circuit Chips . . . . .	7-6
7-5	Typical Applications of Operational Amplifiers . . . . .	7-7
7-6	Front Panel Assembly 1A2, Component Locations. . . . .	7-33
7-7	Scan Width Switch Assembly 1A2A1, Maintenance Schematic Diagram . . . . .	7-34
7-8	Scan Time Switch Assembly 1A2A2, Maintenance Schematic Diagram. . . . .	7-35
7-9	RF Range Switch Assembly 1A2A3, Maintenance Schematic Diagram . . . . .	7-37
7-10	IF Bandwidth Switch Assembly 1A2A4, Maintenance Schematic Diagram . . . . .	7-39
7-11	Vertical Scale Switch Assembly 1A2A5, Maintenance Schematic Diagram . . . . .	7-41
7-12	SCAN MODE switch 1A2A6, Maintenance Schematic Diagram . . . . .	7-43
7-13	Bandwidth Printed Circuit Board 1A2A8, Maintenance Schematic Diagram . . . . .	7-45
7-14	Pushbutton Switch Assembly 1A2A9, Maintenance Schematic Diagram. . . . .	7-47
7-15	Pushbutton Switch Assembly 1A2A10, Maintenance Schematic Diagram. . . . .	7-49
7-16	Frequency Readout Printed Circuit Board 1A2A11, Maintenance Schematic Diagram . . . . .	7-51

## LIST OF ILLUSTRATIONS (Continued)

<u>Figure</u>	<u>Title</u>	<u>Page</u>
7-17	Tuner Assembly 1A2A12, Maintenance Schematic Diagram . . . . .	7-53
7-18	IF Attenuator Assembly 1A2A13, Component Location Diagram . . . . .	7-54
7-19	RF Attenuator Assembly 1A2A14, Component Location Diagram . . . . .	7-55
7-20	Low Voltage Power Supply 1A4, Maintenance Schematic Diagram (2 Sheets) . . . . .	7-57
7-20A	Low Voltage Power Supply 1A4, Maintenance Schematic Diagram (2 Sheets) . . . . .	7-59
7-21	Absolute Power Printed Circuit Board 1A6, Maintenance Schematic Diagram (2 Sheets) . . . . .	7-61
7-22	Log IF Amplifier Assembly 1A8, Maintenance Schematic Diagram . . . . .	7-65
7-23	RF/IF Assembly 1A10, Component Location Diagram . . . . .	7-67
7-24	IF Processor Assembly 1A10A1, Component Location Diagram and IF Processor Printed Circuit Board 1A10A1A1, Maintenance Schematic Diagram . . . . .	7-69
7-25	IF Filters 1A10A1A2 and 1A10A1A3, Maintenance Schematic Diagram . . . . .	7-71
7-26	Second IF Converter 1A10A1A4 and IF Amplifier 1A10A1A5, Maintenance Schematic Diagram . . . . .	7-73
7-27	Local Oscillator 1A10A6, Component Location Diagram; LCVCO Shaper Printed Circuit Board 1A10A6A1 and LCVCO Oscillator Printed Circuit Board 1A10A6A2 Maintenance Schematic Diagrams . . . . .	7-75
7-28	RF Amplifiers 1A10A18 and 1A10A31, Maintenance Schematic Diagram . . . . .	7-77
7-29	Mixer Bias 1A10A4, Maintenance Schematic Diagram . . . . .	7-79
7-30	Loop Control Assembly 1A10A5, Component Location Diagram and Loop Control Printed Circuit Board 1A10A5A1, Maintenance Schematic Diagram . . . . .	7-81
7-31	3.5 MHz Oscillator 1A10A5A2, Comb Generator 1A10A5A3, and 100 MHz Oscillator 1A10A5A4, Maintenance Schematic Diagrams . . . . .	7-83
7-32	Yig Driver Printed Circuit Board 1A10A12 and Yig Driver Heat Sink 1A10A32, Maintenance Schematic Diagram (2 Sheets) . . . . .	7-85
7-33	Sweep Generator Printed Circuit Board 1A11, Maintenance Schematic Diagram (2 Sheets) . . . . .	7-89
7-34	Processed Video Printed Circuit Board 1A12, Maintenance Schematic Diagram . . . . .	7-93
7-35	Regulator Bias Printed Circuit Board 1A13, Maintenance Schematic Diagram (2 Sheets) . . . . .	7-95
7-36	Digital Display Board No. 2 1A14, Maintenance Schematic Diagram . . . . .	7-99
7-37	Digital Display Printed Circuit Board No. 1 1A15, Maintenance Schematic Diagram (2 Sheets) . . . . .	7-101
7-38	Frequency and Power Reference Encoder Printed Circuit Board 1A16, Maintenance Schematic Diagram (2 Sheets) . . . . .	7-105
7-39	Character Generator and Data Encoder Printed Circuit Board 1A17, Maintenance Schematic Diagram (2 Sheets) . . . . .	7-109
7-40	Horizontal Timing Printed Circuit Board 1A18, Maintenance Schematic Diagram (2 Sheets) . . . . .	7-113
7-41	Display Timing and Horizontal Output Printed Circuit Board 1A19, Maintenance Schematic Diagram (2 Sheets) . . . . .	7-117
7-42	Pushbutton Interface and Line Generator Printed Circuit Board 1A20, Maintenance Schematic Diagram (4 Sheets) . . . . .	7-121
7-43	Data Digitizer and Memory Logic Printed Circuit Board 1A21, Maintenance Schematic Diagram (5 Sheets) . . . . .	7-129
7-44	Interconnecting Mother Board, Interconnecting Schematic Diagram . . . . .	7-139
A-1	100/300 Hz Filter Option, Functional Block Diagram . . . . .	A-5
A-2	IF Bandwidth Switch Assembly 1A2A4, Maintenance Schematic Diagram . . . . .	A-7



LIST OF ILLUSTRATIONS (Continued)

<u>Figure</u>	<u>Title</u>	<u>Page</u>
A-3	IF Processor Assembly 1A10A1, Component Location Diagram and IF Processor Printed Circuit Board 1A10A1A1, Maintenance Schematic Diagram . . . . .	A-9
A-4	Character Generator and Data Encoder Printed Circuit Board 1A17, Maintenance Schematic Diagram (2 Sheets) . . . . .	A-11
A-5	100/300 Hz Filter Option Assembly 1A22, Component Location Diagram . . . . .	A-15
A-6	100/300 Hz Filter Option 1A22, Maintenance Schematic Diagram . . . . .	A-17

## LIST OF TABLES

<u>Table</u>	<u>Title</u>	<u>Page</u>
1-1	Spectrum Analyzer Specifications . . . . .	1-3
1-2	Service Kit . . . . .	1-10
1-3	Recommended Test Equipment . . . . .	1-11
2-1	Recommended Test Equipment . . . . .	2-4
2-2	Preliminary Test Procedure Data Sheet . . . . .	2-7
3-1	757 Spectrum Analyzer Front Panel Controls, Indicators and Connector . . . . .	3-3
3-2	757 Spectrum Analyzer Rear Panel Connectors . . . . .	3-8
3-3	Preliminary Control Settings for Signals of Known Frequency . . . . .	3-9
3-4	Accuracy Results . . . . .	3-10
4-1	Calibration Description . . . . .	4-1
4-2	Test Equipment Required . . . . .	4-4
4-3	Scan Width Accuracy Test . . . . .	4-14
4-4	Frequency Response Tests . . . . .	4-16
4-5	Scan Time Accuracy Test . . . . .	4-18
5-1	Vertical Scale Inputs . . . . .	5-11
5-2	IF Bandwidths Inputs . . . . .	5-11
5-3	Scan Width Signals . . . . .	5-12
5-4	Scan Time Signals . . . . .	5-12
5-5	Frequency Signals . . . . .	5-13
5-6	Reference Level Inputs (High) . . . . .	5-13
5-7	Reference Level Inputs (Low) . . . . .	5-13
5-8	Auto IF Bandwidth Signals . . . . .	5-15
5-9	Vertical Scale Outputs . . . . .	5-15
5-10	IF Bandwidth Outputs . . . . .	5-15
5-11	Scan Width Output Signals . . . . .	5-16
5-12	Scan Time Output Signals . . . . .	5-16
5-13	Frequency Output Signals . . . . .	5-16
5-14	Power Reference Digit Output . . . . .	5-17
5-15	Power Reference Sign and MSB Outputs . . . . .	5-17
5-16	BAD00- Through BAD09- Outputs . . . . .	5-17
5-17	BDAT0- Through BDAT8- Outputs . . . . .	5-18
6-1	Adjustable Components . . . . .	6-2
7-1	Characteristics of Common Ohmmeters . . . . .	7-2
7-2	Troubleshooting Index . . . . .	7-8
7-3	ASCII Format . . . . .	7-21
7-4	Wire Run List . . . . .	7-141
8-1	List of Major Components . . . . .	8-1
8-2	Replaceable Parts List . . . . .	8-6
8-3	Recommended Spare Parts List . . . . .	8-62

## SECTION 1

### GENERAL INFORMATION

#### 1-1. INTRODUCTION

1-2. This Operation and Maintenance Manual contains the necessary information to install, operate, align and troubleshoot the 757 Spectrum Analyzer. Figure 1-1 shows the 757 Spectrum Analyzer with the accessories supplied with each unit; power cable, operating instruction chart and a 50 ohm termination.

1-3. This section of the manual covers equipment description, options, specifications, periodic maintenance and safety considerations.

1-4. This manual is divided into nine sections as follows:

Section 1: General Information, contains equipment description, specifications, options, periodic maintenance and safety considerations.

Section 2: Installation, contains tools and materials required for installation, unpacking and inspection instructions, input requirements, installation procedures and initial turn-on and preliminary tests.

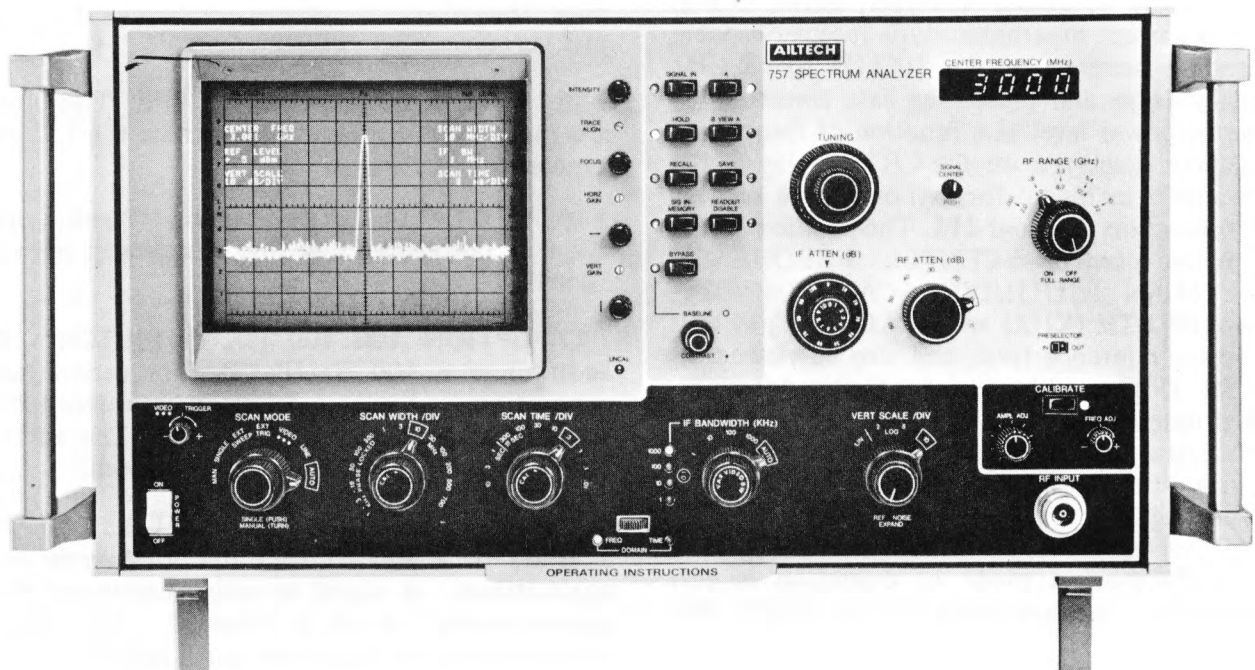


Figure 1-1. 757 Spectrum Analyzer and Accessories

Section 3: Operation, contains a description of all controls, indicators, connectors and/or jacks and operating procedures.

Section 4: Performance Test and Calibration, contains equipment requirements, preliminary operations and calibration procedures.

Section 5: Functional Description, contains basic operating principles and types of measurements.

Section 6: Alignments and Adjustments, contains information to properly adjust and align the instrument.

Section 7: Troubleshooting, contains troubleshooting procedures, schematic diagrams and parts location diagrams.

Section 8: Replaceable Parts List, contains information to order all parts and assemblies.

Section 9: CRT Display

## 1-5. EQUIPMENT DESCRIPTION

1-6. The 757 Spectrum Analyzer, shown in Figure 1-1 is a swept superheterodyne receiver capable of scanning portions of the 10 kHz to 22 GHz frequency range and presenting data consisting of voltage or power level as a function of frequency. This data is displayed on the CRT Display and is also available in digital format, outputted on rear panel connectors J14 and J15. The position of the five major controls, CENTER FREQUENCY (MHZ), SCAN WIDTH/DIV, SCAN TIME/DIV, IF BANDWIDTH (KHZ) and SCALE/DIV, as well as a power reference level, can also be viewed on the CRT Display outputted in digitized format. The instrument has four separate memory registers, and sufficient arithmetic capability to provide the user with all the necessary functions for complete signal analysis.

1-7. A fixed-tuned mode of operation is also selectable for measurements in the TIME DOMAIN mode.

## 1-8. OPTIONS

**1-9. OPTION 001 INCREASED SENSITIVITY.** A 20 dB gain amplifier is inserted in the frequency range 10 kHz to 2 GHz increasing the sensitivity to better than -125 dBm/kHz.

**1-10. OPTION 002 RECEIVER.** The 227 MHz IF, at a bandwidth of 10 MHz, is brought to a type BNC rear panel connector J7. The conversion loss between the RF input signal and this IF signal is typically 10 dB for fundamental mixing. This output is fixed tuned when the analyzer is operated in either the Time Domain or Phase Lock Mode.

**1-11. OPTION 014 LOW BAND RANGE EXTENSION.** The Low Band Range Extension to 1 KHz Option consists of 100 Hz IF Filter for improvement of signal to noise ratio and the low band 001 option to increase sensitivity from 1 KHz to 2.0 GHz.

**1-12. OPTION 046 CAMERA.** Provides a general purpose camera with Polaroid pack-film back for photographing the CRT screen waveforms.

**1-13. OPTION 049 RACK MOUNTING ADAPTER.** Consists of mounting brackets to provide a convenient means of mounting the spectrum analyzer in a standard 19 inch rack.

**1-14. OPTION 050 SLIDE MOUNTING ADAPTER.** Option 050 includes Option 49 and two side frames required for mounting slides. The recommended slides can be purchased from the Jonathan Manufacturing Company under Part No. 310-L-18-22.

**1-15. OPTION 051 TRANSIT CASE.** This option is a ruggedized shipping container for the 757 with handles for easy transport.

**1-16. OPTION 080 POWERLINE.** Permits operation of the analyzer at line frequencies between 50 and 400 Hz.

**1-17. OPTION 100 100 HZ IF FILTER.** The addition of a 100 Hz IF filter for narrow band applications. A signal to noise improvement of approximately 10 dB is achieved. The filter is selected manually via a front panel switch.

**1-18. OPTION 300 300 HZ IF FILTER.** The addition of a 300 Hz IF Filter for narrow band applications. A signal to noise improvement of approximately 10 dB is achieved. The filter is selected manually via a front panel switch.

## 1-19. SPECIFICATIONS

1-20. Instrument specifications are listed in Table 1-1. These Specifications are the performance standards or limits against which the instrument is tested.

Table 1-1. Spectrum Analyzer Specifications

<b>FREQUENCY SPECIFICATIONS</b>																
<b>FREQUENCY RANGE</b>																
Tuning Range	.001* to 22 GHz covered in 5 bands.  <table border="0" style="margin-left: auto; margin-right: auto;"> <tr> <td>Band 1</td> <td>.001* –</td> <td>2.0 GHz</td> </tr> <tr> <td>Band 2</td> <td>1.8 –</td> <td>4.0 GHz</td> </tr> <tr> <td>Band 3</td> <td>3.3 –</td> <td>8.3 GHz</td> </tr> <tr> <td>Band 4</td> <td>5.4 –</td> <td>12.4 GHz</td> </tr> <tr> <td>Band 5</td> <td>10 –</td> <td>22 GHz</td> </tr> </table> <p>*Usable down to 1.0 kHz with slightly degraded performance.</p>	Band 1	.001* –	2.0 GHz	Band 2	1.8 –	4.0 GHz	Band 3	3.3 –	8.3 GHz	Band 4	5.4 –	12.4 GHz	Band 5	10 –	22 GHz
Band 1	.001* –	2.0 GHz														
Band 2	1.8 –	4.0 GHz														
Band 3	3.3 –	8.3 GHz														
Band 4	5.4 –	12.4 GHz														
Band 5	10 –	22 GHz														
Range Extension	With external converter to 60 GHz.															
<b>FREQUENCY DISPERSION</b>																
Fixed Scan	14 calibrated positions from 1 kHz/div. to 700 MHz/div.															
Variable Scan	Additional control for selection of scan widths in between calibrated values. Reduction to zero scan possible.															
Full Range Scan	The entire frequency range of each band can be displayed with a frequency marker positioned by the TUNING control. A signal identified by the marker becomes the center frequency when switched out of this mode.															
Time Domain	Analyzer becomes a fixed tuned (zero scan width) receiver. The demodulated signal is displayed as a function of time. Usable over entire frequency range.															
<b>FREQUENCY ACCURACY</b>																
Digital Frequency Readout	0.2% from 2 to 22 GHz, ±6 MHz from 1 MHz to 1 GHz, ±8 MHz from 1 GHz to 2 GHz can be set to ±1 MHz at 100 MHz calibration intervals by CALIBRATE FREQ ADJ control.															
Scan Accuracy	Frequency span between any two points on the display is typically within ±10% of the indicated separation.															
Residual FM	Less than 200 Hz peak to peak over entire frequency range of .001 to 22 GHz when phase locked.  Less than 10 kHz peak to peak for fundamental mixing (1 MHz to 4 GHz) non phase locked.															

Table 1-1. Spectrum Analyzer Specifications (Continued)

FREQUENCY ACCURACY (Continued)											
Noise Sidebands	<p>For fundamental mixing with a 1 kHz IF bandwidth and 10 Hz video bandwidth.</p> <table border="1"> <thead> <tr> <th><u>Separation from Signal</u></th> <th><u>Level Below CW Signal</u></th> </tr> </thead> <tbody> <tr> <td>30 kHz</td> <td>70 dB</td> </tr> <tr> <td>90 kHz</td> <td>80 dB</td> </tr> <tr> <td>300 kHz</td> <td>90 dB</td> </tr> <tr> <td>1 MHz</td> <td>95 dB</td> </tr> </tbody> </table>	<u>Separation from Signal</u>	<u>Level Below CW Signal</u>	30 kHz	70 dB	90 kHz	80 dB	300 kHz	90 dB	1 MHz	95 dB
<u>Separation from Signal</u>	<u>Level Below CW Signal</u>										
30 kHz	70 dB										
90 kHz	80 dB										
300 kHz	90 dB										
1 MHz	95 dB										
FREQUENCY RESOLUTION IF BANDWIDTH											
Ranges	1, 10, 100 and 1000 kHz										
Accuracy	1 kHz typically 1.3 kHz $\pm 20\%$ 10 kHz $\pm 10\%$ 100 kHz $\pm 10\%$ 1 MHz typically 1.5 MHz $\pm 20\%$										
Selection Method	Automatic selection as a function of Scan Width and Scan Time. Manual override also provided.										
Selectivity	60 dB to 3 dB ratio of all filters < 5:1. 100 dB to 3 dB ratio of all filters < 10:1. Off resonance rejection of all filters > 100 dB.										
VIDEO BANDWIDTH											
Ranges	1, 10, 100 and 1000 kHz fixed, or 10 Hz to 1000 kHz variable.										
Selection Method	Automatic selection of 1, 10, 100 and 1000 kHz filters with variable selector in CAL position.										
FREQUENCY DRIFT											
Long Term	3 kHz per 10 minute typical in phase lock, after 1 hour warm-up.										

Table 1-1. Spectrum Analyzer Specifications (Continued)

<b>AMPLITUDE SPECIFICATIONS FULL SCREEN DISPLAY RANGE</b>													
Logarithmic	100, 50 and 20 dB (10 divisions)												
Linear	1 uV to 10 volts (10 divisions)												
<b>SENSITIVITY</b>													
Average Noise Level in 1 KHz Bandwidth	<table border="1"> <thead> <tr> <th>RF Range (GHz)</th> <th>Average Noise Level (dBm)</th> </tr> </thead> <tbody> <tr> <td>.001 – 2.0</td> <td>-105*</td> </tr> <tr> <td>1.8 – 4.0</td> <td>-110</td> </tr> <tr> <td>3.3 – 8.3</td> <td>-105</td> </tr> <tr> <td>5.4 – 12.4</td> <td>-100</td> </tr> <tr> <td>10 – 22</td> <td>-90</td> </tr> </tbody> </table> <p>*-125 dBm with 001 option.</p>	RF Range (GHz)	Average Noise Level (dBm)	.001 – 2.0	-105*	1.8 – 4.0	-110	3.3 – 8.3	-105	5.4 – 12.4	-100	10 – 22	-90
RF Range (GHz)	Average Noise Level (dBm)												
.001 – 2.0	-105*												
1.8 – 4.0	-110												
3.3 – 8.3	-105												
5.4 – 12.4	-100												
10 – 22	-90												
Residual Responses	Less than -90 dBm referred to signal level at RF input.												
Preselector	Three pole filter, normally 18 dB/octave, with 3 dB bandwidth typically 25 MHz (at 1.8 GHz) to 90 MHz (at 22 GHz). In bypass mode increase in sensitivity typically 10 dB.												
Frequency Response (Flatness)	<table border="1"> <thead> <tr> <th>RF Range (GHz)</th> <th>Response (dB) - Includes Preselector</th> </tr> </thead> <tbody> <tr> <td>.001 – 2.0</td> <td>±1.5</td> </tr> <tr> <td>1.8 – 4.0</td> <td>±2.0</td> </tr> <tr> <td>3.3 – 8.3</td> <td>±2.5</td> </tr> <tr> <td>5.4 – 12.4</td> <td>±2.5</td> </tr> <tr> <td>10 – 22</td> <td>±3.0</td> </tr> </tbody> </table>	RF Range (GHz)	Response (dB) - Includes Preselector	.001 – 2.0	±1.5	1.8 – 4.0	±2.0	3.3 – 8.3	±2.5	5.4 – 12.4	±2.5	10 – 22	±3.0
RF Range (GHz)	Response (dB) - Includes Preselector												
.001 – 2.0	±1.5												
1.8 – 4.0	±2.0												
3.3 – 8.3	±2.5												
5.4 – 12.4	±2.5												
10 – 22	±3.0												
Out of Range Blanking	CRT trace is automatically blanked whenever the band edges are exceeded.												
<b>ABSOLUTE CALIBRATION</b>													
	Internal calibration reference signals every 100 MHz. Power level specified at 1, 3, 5.8, 8.9 and 16 GHz. With amplitude adjust of Ref Level accurate to ±1 dB.												

Table 1-1. Spectrum Analyzer Specifications (Continued)

<b>ABSOLUTE CALIBRATION (Continued)</b>				
Maximum Input Power	+20 dBm (0.1 watt) with 0 RF attenuation +33 dBm (2.0 watts) with 20 dB or more RF attenuation.			
Relative Gain Variations Between RF Ranges	±1.0 dB maximum			
IF Gain Variation with Different Bandwidth Settings	±1.0 dB maximum			
RF Attenuator	0 – 60 dB in 10 dB steps. Frequency response typically ±0.7 dB from .001 to 22 GHz.			
IF Attenuator	0 – 110 dB in 1 dB steps. Accuracy ±0.25 dB per 10 dB steps but not more than ±1.5 dB over full range.			
Log Display Accuracy	±0.2 dB/dB but not more than ±2 dB over 100 dB range.			
Input Impedance	With RF attenuator at 0 dB. Typically SWR: <1.5 .001 to 2.0 GHz <1.6 1.8 to 22 GHz at analyzer tuned frequencies.			
<b>SPURIOUS RESPONSES</b>				
Second Harmonic Distortion	<u>Frequency</u>	<u>Power Input</u>	<u>Distortion Level</u>	
	.001 to 1.8 GHz	-30 dBm	-70 dB	
	1.8 – 22 GHz	0 dBm	-120 dB	
Third Order Intermodulation Distortion	<u>Frequency</u>	<u>Signal Separation</u>	<u>Power Input</u>	<u>Distortion Level</u>
	.001 – 1.8 GHz	200 kHz	-30 dBm	-90 dB
	1.8 – 22 GHz	200 kHz	-30 dBm	-100 dB
	1.8 – 22 GHz	100 MHz	0 dBm	-120 dB
Image Response	<u>Frequency</u>	<u>Power Input</u>	<u>Distortion Level</u>	
	.001 – 2.0 GHz	Any	Non Existent	
	2.0 – 22 GHz	Any	-70 dB	
Local Oscillator Emission at RF Input Port (RF Attenuator Set to 0 dB)	<u>Frequency</u>	<u>Emission Level</u>		
	.001 – 2.0 GHz	-70 dBm typical		
	2.0 – 22 GHz	-75 dBm typical		
LO Output	Swept LO typically from 1.7 to 4.5 GHz. Level typically 0 dBm.			



Table 1-1. Spectrum Analyzer Specifications (Continued)

SCAN TIME SPECIFICATIONS	
Sweep Time	11 calibrated sweep times from .01 mSEC to 10 SEC. FREQ/TIME DOMAIN switch allows selection of time domain for all 11 calibrate positions and frequency domain for 8 calibrate positions.
Scan Time Accuracy	±10% from 10 SEC to .01 mSEC.
DISPLAY SPECIFICATIONS	
CRT Phosphor	Aluminized P31 phosphor
Graticule	10 X 10 divisions, internal (parallax free)
Viewing Area	Horizontal 4.4 in (11.18 cm) Vertical 3.35 in. (8.51 cm)
Digitizing Sweep Rates	10 sec/div through 3 ms/div
Horizontal Resolution	1024 data points
Vertical Resolution	512 data points
Digitized Waveform Display	One or two waveforms which may be in an active, stored or normalized mode.
Readout Parameters Displayed	Center Frequency, Reference Level, Vertical Scale, Scan Width, IF Bandwidth, Scan Time.
Readout Enable	The readout may be enabled in all digitized modes and in the analog mode for a sweep of 3 msec/div.
Digital Waveform Bypass	The digital waveform may be disabled on any range, however, it will automatically be disabled on sweeps of 1 msec/div through .01 msec/div.
External Digital Output	<p>Two rear panel connectors provide the digitized waveform data and the spectrum analyzer control positions.</p> <p>The waveform data is available on one connector. Ten (10) bits of horizontal position data and nine (9) bits of vertical position data are presented in a binary weighted format with open collector outputs.</p> <p>The six sets of control position data are in binary format with open collector output.</p> <p>Three additional data lines are provided to indicate whether waveform data is:</p> <ol style="list-style-type: none"> <li>1. From Channel A or B</li> <li>2. From Input Memory or Recall Memory</li> <li>3. Valid or Invalid</li> </ol> <p>A strobe line clocks the output data.</p>

Table 1-1. Spectrum Analyzer Specifications (Continued)

DISPLAY SPECIFICATIONS (Continued)	
Remote Tuning Voltage	DC voltage $\pm 6$ volts permits tuning to any frequency in any band.
GENERAL CHARACTERISTICS	
Temperature Range	
Operating	0° to 55°C
Storage	-40° to +75°C
Humidity	95% relative humidity 0° to 40°C
Power Requirements	
Line Voltage	115/230 Vac $\pm 10\%$
Line Frequency	50/60 Hz 400 Hz Optional
Line Power	Less than 220 watts
Dimensions	
Height	8 3/4 inches (222 mm)
Width	16 3/4 inches (425 mm). Rack mount adapter available for 19 inch rack (Part No. 757-49).
Depth	21 7/8 inches (530 mm)
Weight	65 pounds (29.5 kg.)

**1-21. EQUIPMENT REQUIRED BUT NOT SUPPLIED**

1-22. A Service Kit is available for alignment and troubleshooting the spectrum analyzer. The Service Kit is shown in Figure 1-2 and itemized in Table 1-2 and is available from AILTECH under Part Number 296423-1.

**1-23. RECOMMENDED TEST EQUIPMENT**

1-24. Table 1-3 lists the recommended test equipment for Performance Testing, Acceptance Testing and Calibration of the Spectrum Analyzer.

**1-25. PERIODIC MAINTENANCE**

1-26. It is recommended that the Calibration Procedures of Section 4 be performed every six

months, or 1000 hours of use, whichever occurs first; or whenever a major repair or replacement has been performed. If the instrument requires alignment, refer to the alignment procedures in Section 6.

**1-27. SAFETY CONSIDERATIONS**

1-28. The 757 Spectrum Analyzer is a Safety Class I instrument. It has been designed according to international safety standards and is supplied in a safe condition. This Operating and Service Manual contains information, cautions and warnings which must be followed by the user to ensure safe operation and to retain the instrument in a safe condition.

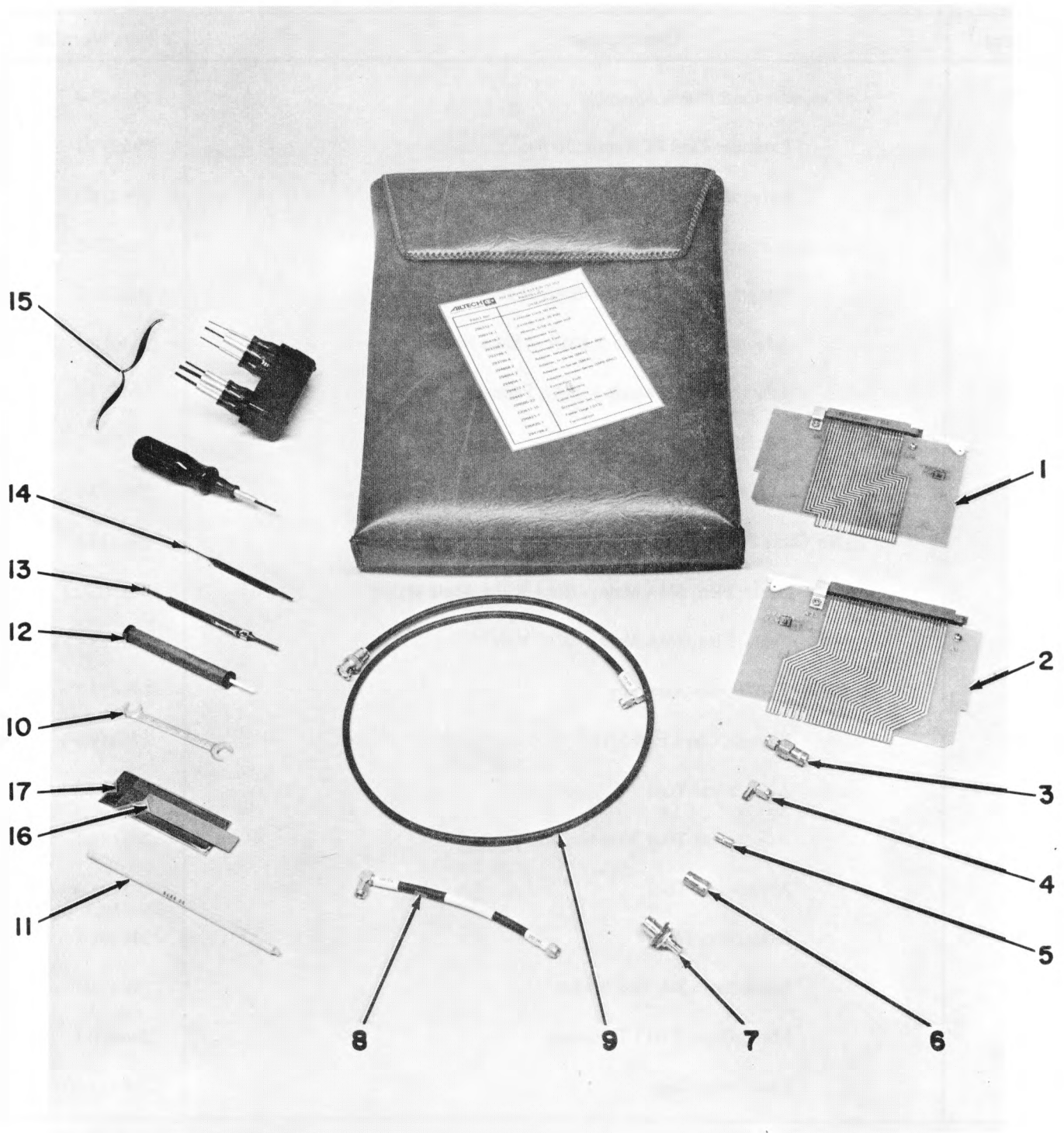


Figure 1-2. Service Kit

Table 1-2. Service Kit Assembly P/N 296423-1

Item	Description	Part Number
	Extender Card Pouch Assembly	296423-4
1	Extender Card PC Board, 50 Pin	296312-1
2	Extender Card PC Board, 70 Pin	296314-1
	Adapter Pouch Assembly	296423-5
3	Adapter, BNC Female – SMA Male	294658-2
4	Adapter, Right Angle – SMA – SMA Female	294658-2
5	Adapter, SMA Female – SMA Female	294654-1
6	Termination, BNC Male	294798-2
7	Adapter, BNC Female – SMB Male	294677-1
	RF Cable Pouch Assembly	296423-6
8	Cable, Flex, SMA Male – SMA Right Angle Male	298505-22
9	Cable, Flex, SMA Male – BNC Male	230617-15
	Small Tool Pouch Assembly	296423-7
10	Wrench, Open End 5/16"	296419-1
11	Adjustment Tool	293198-3
12	Adjustment Tool, Non-Metallic	293198-1
13	Adjustment Tool	293198-4
14	Extraction Tool	294491-1
15	Screwdriver Set, Hex Socket	296421-1
16	Feeler Gage, 0.013 Thickness	296420-1
17	Case Feeler Gage	296422-907

Table 1-3. Recommended Test Equipment

Equipment	Specification	Recommended Equipment
Signal Generator	Frequency 1 MHz to 1 GHz, 5 kHz min. resolution Stability $\pm 100$ Hz	AILTECH 360 Frequency Synthesizer
Sweep Signal Generator	Frequency 100 MHz -- 18 GHz Internal Leveling, Manual Sweep Control	AILTECH 6600/9514D/9515D
Sweep Signal Generator	Frequency 1 MHz -- 100 MHz Manual Sweep Control	Wavetek 2000
Sweep Signal Generator	Frequency 18 -- 22 GHz	Hewlett Packard 8690/8696
Function Generator	Frequency 0.1 Hz -- 100 kHz	Wavetek 180
Comb Generator	Frequency 100 MHz -- 20 GHz Signal spacing 100 MHz	AILTECH 70790
Precision Attenuator	Frequency 21.4 MHz Accuracy $\pm 1$ dB Range 80 dB	AILTECH 3220-2
Step Attenuator	Frequency 21.4 MHz Accuracy $\pm 0.5$ dB Range 100 dB -- 10 dB steps 10 dB -- 1 dB steps	Hewlett Packard 355D
Power Meter	Frequency 1 MHz -- 18 GHz	Boonton 42B/41-4E
Counter	Frequency DC-100 kHz	Systron Donner 6150
Frequency Meter	Frequency Range 1 -- 4 GHz	Hewlett Packard 536A
Frequency Meter	Frequency Range 4 -- 12.4 GHz	Hewlett Packard 537A
Frequency Meter	Frequency Range 12.4 -- 18 GHz	Hewlett Packard 532A
Termination	50 ohm	Omni Spector 3001-61-00-0
Comb Generator	Frequency Increment 1, 10, 100 MHz Frequency Accuracy $\pm 0.01\%$	Hewlett Packard 8406
Oscilloscope	Bandwidth DC-200 MHz	Tektronix 475A
Oscilloscope	Differential Input 200 mv/div.	Tektronix 502
Digital Multimeter	4½ Digits Readout	Systron Donner 7004A

Table 1-3. Recommended Test Equipment (Continued)

Equipment	Specification	Recommended Equipment
Resistive Decade Box	1 M $\Omega$ Maximum Resistance	General Radio Type 1433B
Tracking Generator	Frequency Range .001 – 12.4 GHz	AILTECH 70727

### 1-30. SAFETY PROCEDURES

#### WARNING

This symbol designates precautionary actions which must be followed to avoid the possibility of injury or death.

#### WARNING

1. If this instrument is to be energized via an auto-transformer for voltage reduction, make sure that the common terminal is connected to the earthed pole of the power source.
2. The power cable plug shall be inserted into a socket outlet provided with a protective earth contact. The protective action must not be negated by the use of an extension cord without a protective conductor (ground).
3. Before switching on the instrument, the protective earth terminal of the instrument must be connected to a protective conductor of the power cord. This is accomplished by ensuring that the instrument's internal earth terminal is correctly connected to the instrument's chassis and that the power cord is wired correctly.
4. Whenever it is likely that the protection has been impaired, the instrument must be made inoperative and be secured against any unintended operation.
5. Any interruption of the protective (ground) conductor, inside or outside the instrument, or disconnection of the protective earth terminal, is likely to make the instrument dangerous. Intentional interruption is prohibited.
6. Make sure that only fuses with the required rated voltage and current, and of the specified type (normal blow, time delay, etc.), are used for replacement. The use of repaired fuses and the short-circuiting of fuseholders must be avoided. Remove line cord before changing fuses.
7. Any adjustment, maintenance, and repair of the opened instrument under voltage should be avoided as much as possible and, if inevitable, should be carried out only by a skilled person who is aware of the hazard involved.
8. Exercise extreme care when servicing the display unit. Voltages in excess of 4500 volts are used.
9. Capacitors inside the instrument may still be charged even if the instrument has been disconnected from its source.
10. Handle the CRT Display very carefully to avoid implosion.

**CAUTION**

This symbol designates precautionary actions which must be followed to avoid damage to part or all of the instrument.

**CAUTION**

1. Verify that the line voltage selector card on the rear panel is in the correct position before connecting the power.
2. Verify that the socket for the power line cord is provided with a protective earth contact.
3. Any interruption of the protective (grounding) conductor inside or outside the instrument is likely to cause damage to the instrument. To avoid damage,

this instrument and all line powered devices connected to it must be connected to the same earth ground.

4. Make sure that only fuses with the required rating, and of the specified type, are used for replacement. Fuse ratings are given on rear panel of the instrument near the fuseholder.
5. To avoid the possibility of damage to test equipment, read completely through each section before starting it. Make any preliminary control settings necessary for correct test equipment operation.
6. Do not torque the RF connectors to more than 5 inch-pounds.





## SECTION 2

### INSTALLATION

#### 2-1. INTRODUCTION

2-2. This section contains unpacking and inspection instructions, handling instructions, tools and materials required for installation, input requirements, installation procedures, and initial turn-on and preliminary tests for the AILTECH 757 Spectrum Analyzer.

#### 2-3. UNPACKING AND INSPECTION

2-4. For domestic shipments, the instrument will normally be enclosed in a plastic sheet protected by a preformed cushion of shock absorbing material and enclosed in a double wall cardboard container. No special tools will be required. Overseas shipments are further protected by a 3/4 inch thick wood container. Normal handtools are sufficient for unpacking.

**CAUTION**

Exercise caution when removing the instrument from its shipping container to ensure that no damage is incurred at this time. Remember that the instrument contains a glass cathode ray tube (CRT).

#### 2-5. HANDLING INSTRUCTIONS

2-6. If the shipping container is damaged, make a complete and detailed examination of the instrument. Remove the top and bottom sheet metal covers and examine the interior for damage and loose components or hardware. If obvious damage is observed, notify the carrier for insurance purposes and the AILTECH office in New York. Be sure to keep all the unpacking material until the carrier's representative has made an inspection. When no obvious damage is observed, continue with the installation procedure.

#### 2-7. TOOLS AND MATERIALS REQUIRED FOR INSTALLATION

2-8. No special tools or materials are required. Rack mount accessories can be assembled with a cross recessed head screwdriver.

#### 2-9. INPUT REQUIREMENTS

2-10. The AILTECH 757 Spectrum Analyzer can be operated from either a nominal 115 Vac lines main, or a nominal 230 Vac lines main.

**WARNING**

Observe all the precautions listed in paragraph 1-27. In particular, determine that the line voltage selector card on the rear panel is set to its correct position. If it is necessary to change the card setting, proceed as follows:

1. Disconnect the power cord from the instrument.
2. Slide the plastic cover to the left to gain access to the full assembly. Using the fuse extractor that is part of the assembly, remove the fuse.
3. Remove the voltage select card that is located directly below the fuse holder, inside the assembly. Reinsert this card such that the proper line voltage is on the upper left side of the card. (See Figure 2-1.)
4. Insert the proper fuse and slide the plastic cover back over the fuse. For operation at 115 Vac, use a 3.0 amp slowblow fuse. For operation at 230 Vac, use a 1.5 amp slowblow fuse.

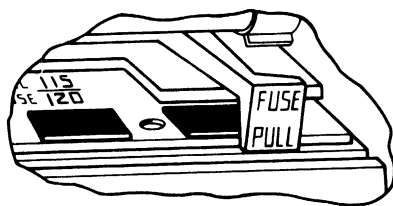
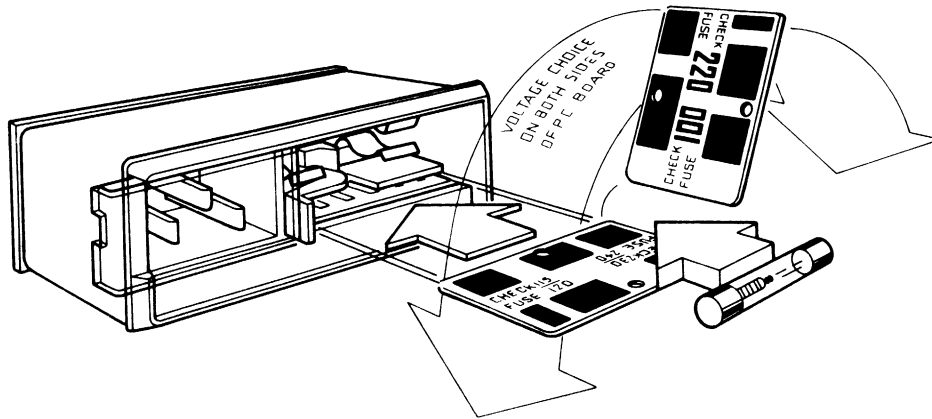


Figure 2-1. Fuse Assembly

**WARNING**

The power line cable is a three wire assembly to ensure that the instrument chassis is connected to the main ground. Under no conditions is this ground lead to be interrupted, or a two wire extension cable to be used.

**CAUTION**

Observe all the precautions given in paragraph 1-27 for the protection of the instrument.

**2-11. INSTALLATION PROCEDURES**

2-12. Instruments requiring Front Handles, Option 049 Rack Mount Adapter or Option 050 Slide Mount Adapter are provided with the options installed. When these options are to be field installed, proceed with the installation as shown in the appropriate illustration.

- a. Front Handles. (See Figure 2-2).
- b. Option 049 Rack Mounting Adapter and Option 050 Slide Mounting Adapter. (See Figures 2-3 and 2-4).

**2-13. INITIAL TURN-ON AND PRELIMINARY TESTS**

2-14. These tests are intended to be a rapid performance check of the instrument for acceptance by incoming inspection departments.

**2-15. RECOMMENDED TEST EQUIPMENT**

2-16. Table 2-1 lists the recommended test equipment for the preliminary test procedures.

**2-17. PRELIMINARY TEST PROCEDURES**

2-18. To perform the preliminary test procedures, proceed as follows:

**CAUTION**

Observe all the precautionary instructions in paragraph 1-27 prior to energizing the instrument.

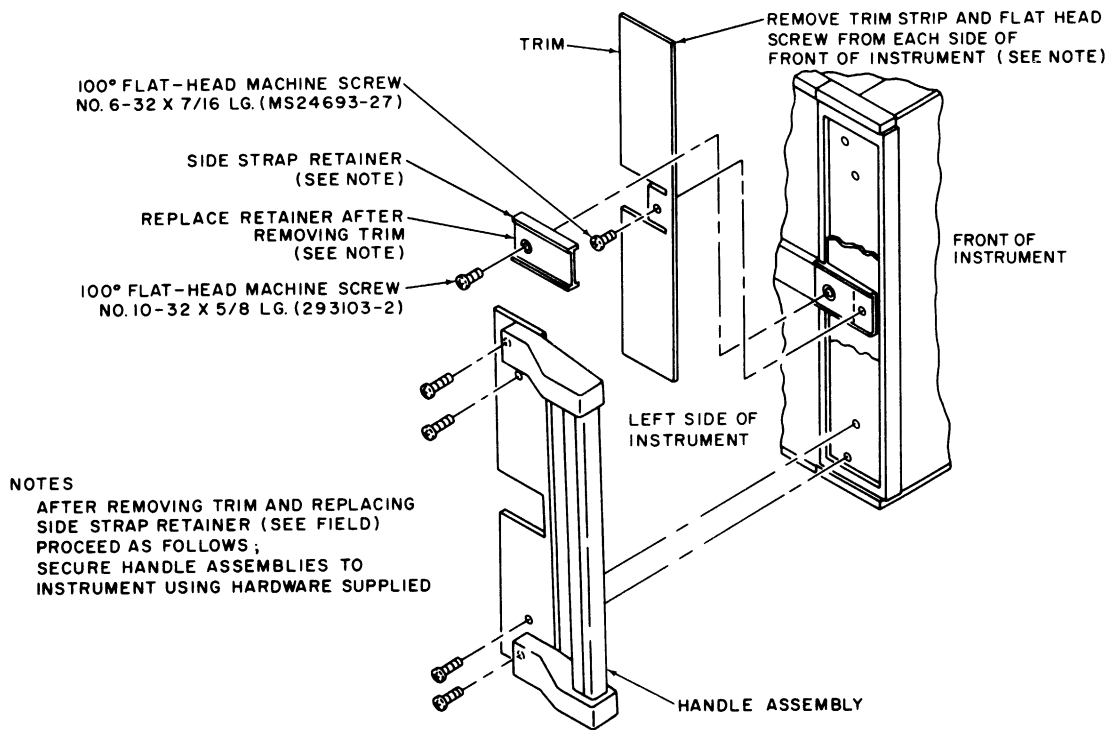


Figure 2-2. Front Handles

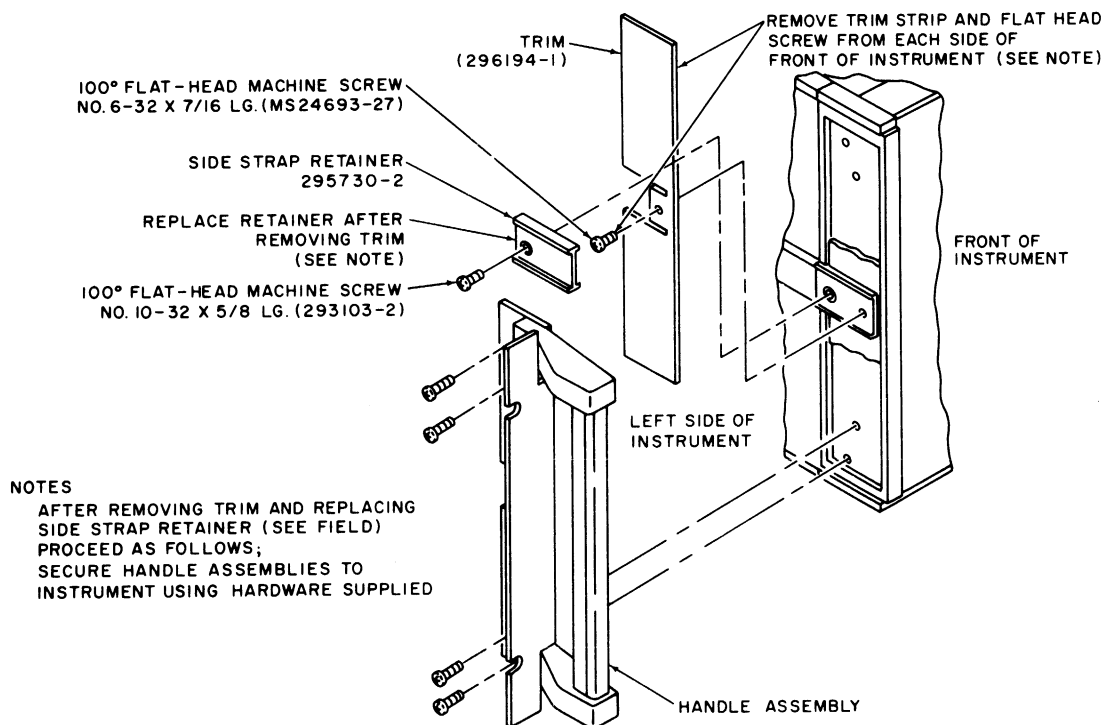


Figure 2-3. Rack Mount Option 049

Table 2-1. Recommended Test Equipment

Item	Category	Minimum Use Specification	Recommended Equipment
1	Comb Generator	Frequency Range 100 MHz to 16 GHz in 100 MHz intervals.	AILTECH 70790
2	Frequency Meter	Frequency Range 1 – 4 GHz	Hewlett Packard 536A
3	Frequency Meter	Frequency Range 4 – 12.4 GHz	Hewlett Packard 537A
4	Frequency Meter	Frequency Range 12.4 – 18 GHz	Hewlett Packard P532A
5	Signal Generator	Frequency Range 1 MHz – 500 MHz	AILTECH 460
6	Power Meter	Range: -30 to 0 dBm Accuracy: ±0.5 dBm	Boonton 42B and 41-4E

1. Turn Power on and allow 30 minutes for warm-up. Observe that the rear panel fan is operational, the CENTER FREQUENCY MHz readout is illuminated and the CRT display has a trace.

2. Verify that the left edge of the main trace on the CRT display is coincident with the left boundary graticule line.

3. Set the front panel controls as follows:

RF RANGE (GHz)	.001 – 2.0
RF ATTEN (dB)	20
IF ATTEN (dB)	10
SCAN WIDTH/DIV	200 MHz
SCAN WIDTH vernier	Maximum clockwise
IF BANDWIDTH (KHz)	<input type="text" value="AUTO"/>
VAR VIDEO BW vernier	Maximum clockwise
VERT SCALE/DIV	<input type="text" value="10"/>
EXPAND	REF
SCAN MODE	<input type="text" value="AUTO"/>
BASELINE CONTRAST	Maximum counterclockwise

TUNING

Zero beat to left most graticule of CRT

FULL RANGE

OFF

SIGNAL CENTER

Centered

FREQ ADJ

Centered

SIGNAL IN

Enabled (LED on)

A

Enabled (LED on)

READOUT DISABLE

Disabled (LED off)

CALIBRATE

Disabled (LED off)

PRESELECTOR

IN

DOMAIN

FREQ

SCAN TIME/DIV

SCAN TIME Vernier

Maximum clockwise

4. Set the IF ATTEN (dB) control to 100 dB and the VAR VIDEO BW control counterclockwise. The CRT display trace should be a narrow line approximately 2 mm below the 100 dB mark.

5. Return the IF ATTEN (dB) control to 10 and the VAR VIDEO BW control to maximum clockwise. Connect the comb generator to the RF

*INPUT connector. Observe that 20 comb lines appear on the CRT display.*

6. Reset the SCAN WIDTH/DIV control to 100 MHz. Adjust the TUNING control until the 100 MHz comb line falls on the first graticule line. Observe that the following comb line also falls on a graticule line.

**2-19. FREQUENCY ACCURACY TEST**

1. Locate the 100 MHz line by counting 10 lines up from the zero beat. Adjust the TUNING control until the CENTER FREQUENCY (MHz) readout indicates 1000 and note that this comb line is at the center of the display. Set the SCAN WIDTH/DIV control to 10 MHz and reposition the signal to the exact center of the display using the TUNING control. Observe that the CENTER FREQUENCY (MHz) readout is  $1000 \pm 6$  MHz.

**NOTE**

Because of the hysteresis of the Yig components, it may be necessary to rotate the SCAN WIDTH/DIV control fully clockwise then back to 10 MHz before centering the signal.

2. Turn the RF RANGE (GHz) control to the 1.8 – 4.0 position. Verify that the signal appearing on CRT is the 3000 MHz comb line with the appropriate frequency meter. Adjust the TUNING control until the signal is exactly centered and observe that the CENTER FREQUENCY (MHz) readout is  $3000 \pm 6$  MHz.

3. Turn the RF RANGE (GHz) control to the 3.3 – 8.3 position and the RF ATTEN (dB) control to 0. Verify that the signal appearing on CRT is the 5800 MHz comb line with the appropriate frequency meter. Adjust the TUNING control until the signal is exactly centered and observe that the CENTER FREQUENCY (MHz) readout is  $5800 \pm 12$  MHz.

**NOTE**

As the input frequencies increase, the power of the comb signals decrease. Therefore, a slight adjustment of the SIGNAL CENTER control may be required to peak the instrument's response.

4. Set the RF RANGE (GHz) control to the 5.4 – 12.4 position and repeat step 3. Signal frequency should be  $8900 \text{ MHz} \pm 18 \text{ MHz}$ .

5. Set the RF RANGE (GHz) control to the 10 – 22 position and repeat step 3. Signal frequency should be  $16000 \pm 32 \text{ MHz}$ .

**2-20. PHASE LOCK TEST**

1. Return the RF RANGE (GHz) control to the 1.8 to 4.0 GHz position. Adjust the TUNING control, if necessary, until the 3000 MHz line is centered. Set the SCAN WIDTH/DIV control to the 300 KHz position. The analyzer is now in phase lock. Rotating the TUNING control should move the signal on the display, but not change the digital readout. Set the SCAN WIDTH/DIV control to the 1 KHz position. Signal should remain on the display. Only slight adjustments to the TUNING control may be required to keep the signal centered.

2. Return the SCAN WIDTH/DIV control to 300 KHz. Depress the SIGNAL CENTER control and rotate clockwise and counterclockwise. Note that the signal will jump to another lock, position in approximately 1 MHz displacement.

**2-21. IF BANDWIDTH TEST**

1. Observe on the display and LED indicators that the IF bandwidths are automatically changed as the SCAN WIDTH/DIV control is exercised with the IF BANDWIDTH control set in **AUTO** position.

<u>SCAN WIDTH</u>	<u>SCAN TIME</u>	<u>BANDWIDTH</u>
10 MHz/div and higher	3 ms/div	1 MHz
3, 1 MHz and 300 KHz	3 ms/div	100 KHz
100 and 30 KHz	3 ms/div	10 KHz
10 KHz and lower	3 ms/div	1 KHz

2. Override the IF BANDWIDTH **AUTO** position to verify the manual selection of the filters.

## 2-22. VERTICAL SCALE TEST

1. Return IF BANDWIDTH (KHz) control to AUTO and SCAN WIDTH/DIV control to 10 MHz. Bring signal level to 50 dB line using IF ATTEN (dB) control. Rotate VERT SCALE/DIV control to 5 LOG and EXPAND control to NOISE. Note that signal reaches top of display  $\pm 1$  division.

2. Add another 30 dB of IF attenuation and set VERT SCALE/DIV control to 2 LOG. Signal should reach the top of the display  $\pm 1$  division.

3. Set VERT SCALE/DIV control to LIN. Signal should reach the top of the display  $\pm 1$  division.

4. Return VERT SCALE/DIV control to 10 LOG and IF ATTEN (dB) control to 10.

## 2-23. DISPLAY CONTROL FUNCTION TEST

1. Depress HOLD pushbutton and observe that the display becomes fixed (does not update).

2. Depress B VIEW A pushbutton and slightly rotate TUNING control. Observe that two signals appear on display; one remains fixed, while the other is moveable with tuning control.

3. Depress SIGNAL IN, A, SAVE, RECALL pushbuttons in this order. Observe that the display once again becomes fixed.

4. Depress SIG IN-MEMORY pushbutton and observe a horizontal line at the 50 dB level.

5. Depress READOUT DISABLE pushbutton and note that the control settings are blanked on the display.

6. Depress SIGNAL IN, A, and BYPASS pushbuttons. Observe that the display is now operating in a normal persistence manner, without digital storage. This may be more readily seen if the SCAN TIME/DIV control is set to the 100 m SEC position and an obvious flicker is apparent.

7. With the SCAN TIME/DIV control set to 3 m SEC, rotate the BASELINE control clockwise until the noise baseband disappears. Turn the concentric CONTRAST control clockwise and note that the clipped area can be restored with controlled intensity.

## 2-24. AMPLITUDE ACCURACY TEST

1. Return all controls to the positions designated in paragraph 2-18, step 3. Set the signal generator to obtain a -20 dBm signal at 100 MHz. Verify absolute power level using power meter. Set RF ATTEN (dB) and IF ATTEN (dB) controls to 0. Peak the signal with the SIGNAL CENTER control and observe that it is at the 0 dB REF LEVEL graticule line  $\pm 1$  dB. The CRT display REF LEVEL readout should indicate -20 dBm  $\pm 1$  dB. If not adjust AMP ADJ control accordingly.

### NOTE

If the instrument has an 001 Increased Sensitivity Option, set the RF ATTEN (dB) control to 20 and perform the above test.

*INPUT connector. Observe that 20 comb lines appear on the CRT display.*

6. Reset the SCAN WIDTH/DIV control to 100 MHz. Adjust the TUNING control until the 100 MHz comb line falls on the first graticule line. Observe that the following comb line also falls on a graticule line.

**2-19. FREQUENCY ACCURACY TEST**

1. Locate the 100 MHz line by counting 10 lines up from the zero beat. Adjust the TUNING control until the CENTER FREQUENCY (MHz) readout indicates 1000 and note that this comb line is at the center of the display. Set the SCAN WIDTH/DIV control to 10 MHz and reposition the signal to the exact center of the display using the TUNING control. Observe that the CENTER FREQUENCY (MHz) readout is  $1000 \pm 6$  MHz.

**NOTE**

Because of the hysteresis of the Yig components, it may be necessary to rotate the SCAN WIDTH/DIV control fully clockwise then back to 10 MHz before centering the signal.

2. Turn the RF RANGE (GHz) control to the 1.8 – 4.0 position. Verify that the signal appearing on CRT is the 3000 MHz comb line with the appropriate frequency meter. Adjust the TUNING control until the signal is exactly centered and observe that the CENTER FREQUENCY (MHz) readout is  $3000 \pm 6$  MHz.

3. Turn the RF RANGE (GHz) control to the 3.3 – 8.3 position and the RF ATTEN (dB) control to 0. Verify that the signal appearing on CRT is the 5800 MHz comb line with the appropriate frequency meter. Adjust the TUNING control until the signal is exactly centered and observe that the CENTER FREQUENCY (MHz) readout is  $5800 \pm 12$  MHz.

**NOTE**

As the input frequencies increase, the power of the comb signals decrease. Therefore, a slight adjustment of the SIGNAL CENTER control may be required to peak the instrument's response.

4. Set the RF RANGE (GHz) control to the 5.4 – 12.4 position and repeat step 3. Signal frequency should be  $8900 \text{ MHz} \pm 18 \text{ MHz}$ .

5. Set the RF RANGE (GHz) control to the 10 – 22 position and repeat step 3. Signal frequency should be  $16000 \pm 32 \text{ MHz}$ .

**2-20. PHASE LOCK TEST**

1. Return the RF RANGE (GHz) control to the 1.8 to 4.0 GHz position. Adjust the TUNING control, if necessary, until the 3000 MHz line is centered. Set the SCAN WIDTH/DIV control to the 300 KHz position. The analyzer is now in phase lock. Rotating the TUNING control should move the signal on the display, but not change the digital readout. Set the SCAN WIDTH/DIV control to the 1 KHz position. Signal should remain on the display. Only slight adjustments to the TUNING control may be required to keep the signal centered.

2. Return the SCAN WIDTH/DIV control to 300 KHz. Depress the SIGNAL CENTER control and rotate clockwise and counterclockwise. Note that the signal will jump to another lock, position in approximately 1 MHz displacement.

**2-21. IF BANDWIDTH TEST**

1. Observe on the display and LED indicators that the IF bandwidths are automatically changed as the SCAN WIDTH/DIV control is exercised with the IF BANDWIDTH control set in **AUTO** position.

<u>SCAN WIDTH</u>	<u>SCAN TIME</u>	<u>BANDWIDTH</u>
10 MHz/div and higher	3 ms/div	1 MHz
3, 1 MHz and 300 KHz	3 ms/div	100 KHz
100 and 30 KHz	3 ms/div	10 KHz
10 KHz and lower	3 ms/div	1 KHz

2. Override the IF BANDWIDTH **AUTO** position to verify the manual selection of the filters.

## 2-22. VERTICAL SCALE TEST

1. Return IF BANDWIDTH (KHz) control to AUTO and SCAN WIDTH/DIV control to 10 MHz. Bring signal level to 50 dB line using IF ATTEN (dB) control. Rotate VERT SCALE/DIV control to 5 LOG and EXPAND control to NOISE. Note that signal reaches top of display  $\pm 1$  division.

2. Add another 30 dB of IF attenuation and set VERT SCALE/DIV control to 2 LOG. Signal should reach the top of the display  $\pm 1$  division.

3. Set VERT SCALE/DIV control to LIN. Signal should reach the top of the display  $\pm 1$  division.

4. Return VERT SCALE/DIV control to 10 LOG and IF ATTEN (dB) control to 10.

## 2-23. DISPLAY CONTROL FUNCTION TEST

1. Depress HOLD pushbutton and observe that the display becomes fixed (does not update).

2. Depress B VIEW A pushbutton and slightly rotate TUNING control. Observe that two signals appear on display; one remains fixed, while the other is moveable with tuning control.

3. Depress SIGNAL IN, A, SAVE, RECALL pushbuttons in this order. Observe that the display once again becomes fixed.

4. Depress SIG IN-MEMORY pushbutton and observe a horizontal line at the 50 dB level.

5. Depress READOUT DISABLE pushbutton and note that the control settings are blanked on the display.

6. Depress SIGNAL IN, A, and BYPASS pushbuttons. Observe that the display is now operating in a normal persistence manner, without digital storage. This may be more readily seen if the SCAN TIME/DIV control is set to the 100 m SEC position and an obvious flicker is apparent.

7. With the SCAN TIME/DIV control set to 3 m SEC, rotate the BASELINE control clockwise until the noise baseband disappears. Turn the concentric CONTRAST control clockwise and note that the clipped area can be restored with controlled intensity.

## 2-24. AMPLITUDE ACCURACY TEST

1. Return all controls to the positions designated in paragraph 2-18, step 3. Set the signal generator to obtain a -20 dBm signal at 100 MHz. Verify absolute power level using power meter. Set RF ATTEN (dB) and IF ATTEN (dB) controls to 0. Peak the signal with the SIGNAL CENTER control and observe that it is at the 0 dB REF LEVEL graticule line  $\pm 1$  dB. The CRT display REF LEVEL readout should indicate -20 dBm  $\pm 1$  dB. If not adjust AMP ADJ control accordingly.

### NOTE

If the instrument has an 001 Increased Sensitivity Option, set the RF ATTEN (dB) control to 20 and perform the above test.



Table 2-2. Preliminary Test Procedure Data Sheet

Function Tested	Nominal Value	Performance Limits	Passed
<b>Frequency Accuracy Test</b>			
Band 1	1000 MHz	944 – 1006 MHz	<input type="checkbox"/>
Band 2	3000 MHz	2994 – 3006 MHz	<input type="checkbox"/>
Band 3	5800 MHz	5788 – 5812 MHz	<input type="checkbox"/>
Band 4	8900 MHz	8882 – 8918 MHz	<input type="checkbox"/>
Band 5	16000 MHz	15968 – 16032 MHz	<input type="checkbox"/>
<b>Phase Lock Test</b>	--	--	<input type="checkbox"/>
<b>IF Bandwidth Test</b>			
>10 MHz/Div	BW = 1 MHz	--	<input type="checkbox"/>
3, 1 MHz/Div, 300 KHz/Div	BW = 100 KHz	--	<input type="checkbox"/>
100, 30 KHz/Div	BW = 10 KHz	--	<input type="checkbox"/>
10, 1 KHz/Div	BW = 1 KHz	--	<input type="checkbox"/>
<b>Vertical Scale Test</b>			
5 Log Position	Full Scale	±1 division	<input type="checkbox"/>
2 Log Position	Full Scale	±1 division	<input type="checkbox"/>
LIN Position	9 divisions	±1 division	<input type="checkbox"/>
<b>Display Control Function Test</b>			
HOLD			<input type="checkbox"/>
B VIEW A			<input type="checkbox"/>
SAVE, RECALL			<input type="checkbox"/>
SIG-IN MEMORY			<input type="checkbox"/>
READ OUT DISABLE			<input type="checkbox"/>
BYPASS			<input type="checkbox"/>
BASELINE			<input type="checkbox"/>
CONTRAST			<input type="checkbox"/>
<b>Amplitude Accuracy Test</b>			
Full Scale with -20 dBm input	-20 dBm	±1 dB	<input type="checkbox"/>



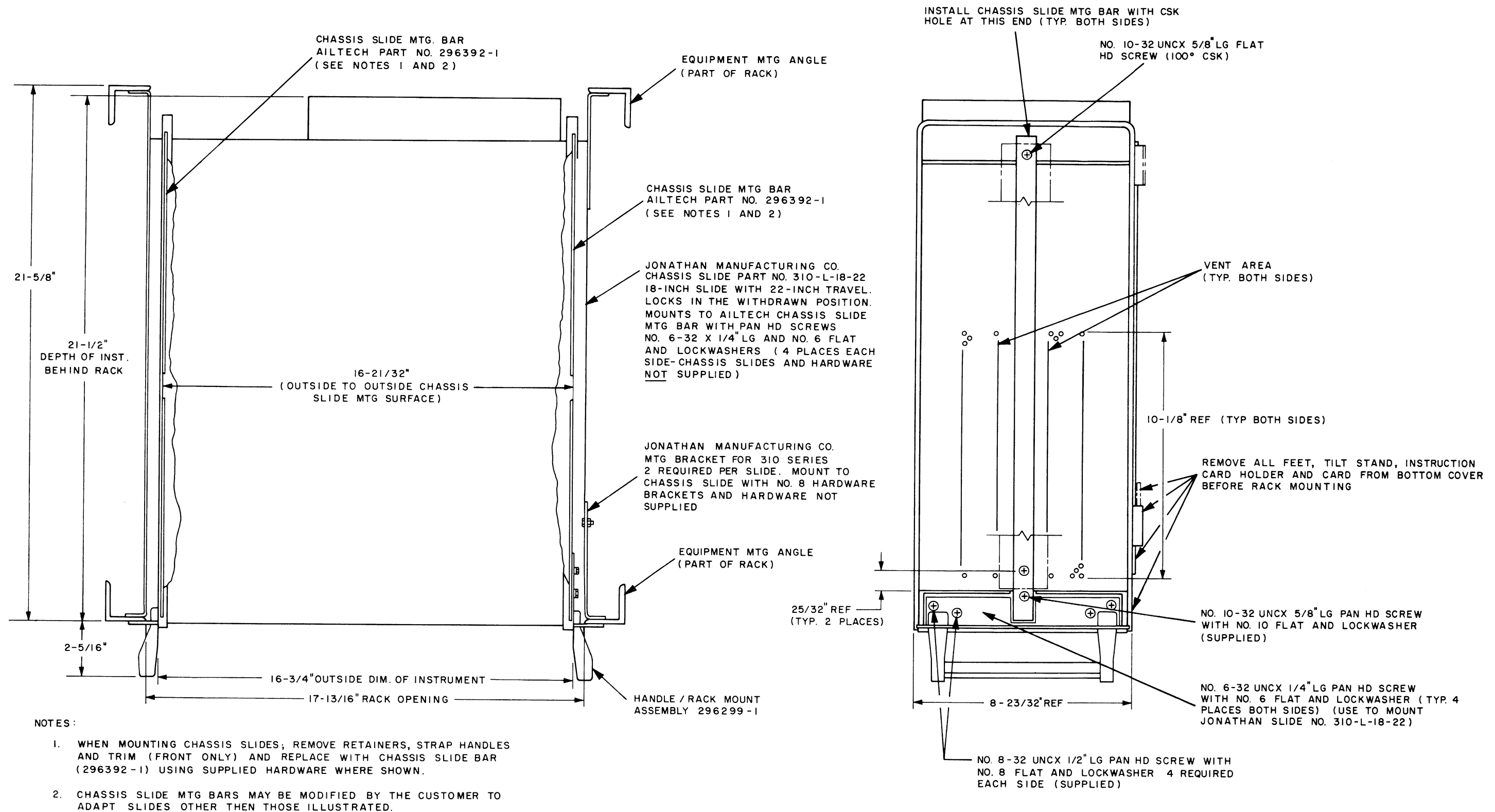


Figure 2-4. Slide Mount Option 050

## SECTION 3

### OPERATION

#### 3-1. INTRODUCTION

3-2. This section presents the basic operating information and procedures necessary for the user to efficiently operate the AILTECH 757 Spectrum Analyzer. It identifies and locates all the controls, indicators, and connectors which the operator is required to use to accomplish this task. Preliminary control settings are listed as a basic starting point for the less experienced user. A brief discussion on the following types of measurements is also included to acquaint the user with the capability of the instrument.

- a. Frequency Measurement (paragraph 3-9)
- b. Amplitude Measurements (paragraph 3-11)
- c. Time domain (zero scan) Measurements (paragraph 3-15)
- d. Bandwidth Effects (paragraph 3-18)
- e. Narrowband Spectrum Analysis (paragraph 3-20)
- f. Broadband Spectrum Analysis (paragraph 3-21)

#### 3-3. CONTROLS, INDICATORS AND CONNECTORS

3-4. The controls, indicators and connector on the front panel are illustrated in Figure 3-1. Table 3-1 lists the panel nomenclature and function of each control, indicator or connector. The index number is keyed to the index number shown in Figure 3-1. Figure 3-2 illustrates the rear panel connectors. Table 3-2 lists the panel nomenclature and function of each rear panel connector.

#### 3-5. OPERATING PROCEDURES

3-6. The following paragraphs provide operating instructions for the AILTECH 757 Spectrum Analyzer. The procedures consist of preliminary

control settings, frequency measurements, amplitude measurements, time domain measurements, bandwidth effects, narrowband and broadband spectrum analysis.

**3-7. PRELIMINARY CONTROL SETTINGS FOR SIGNALS OF KNOWN FREQUENCY.** Table 3-3 lists the suggested initial control settings to ensure that the desired signal will appear on screen. These settings assume the operator knows the frequency of the input signal.

**3-8. PRELIMINARY CONTROL SETTINGS FOR SIGNALS OF UNKNOWN FREQUENCY.** Use the same settings as Table 3-3 with the following changes:

1. Turn the FULL RANGE ON/OFF control clockwise to the ON position.
2. Set RF ATTEN (dB) to 10 position.
3. Rotate RF RANGE (GHz) control until frequency of interest appears on display.
4. Adjust the TUNING control until the marker on the baseline noise is center directly below the desired signal.
5. Turn the FULL RANGE ON/OFF control counterclockwise to OFF position. The desired signal will appear near the center of the display.

**3-9. FREQUENCY MEASUREMENTS.** Observing the CENTER FREQUENCY (MHz) readout, the frequency of the input signal can be determined to an accuracy of  $\pm 2\%$  as follows:

1. Adjust the TUNING control until the signal of interest appears at the center of the display.
2. Set the SCAN WIDTH/DIV control to 1 MHz.
3. Make any fine adjustments with the TUNING control until signal is exactly centered.

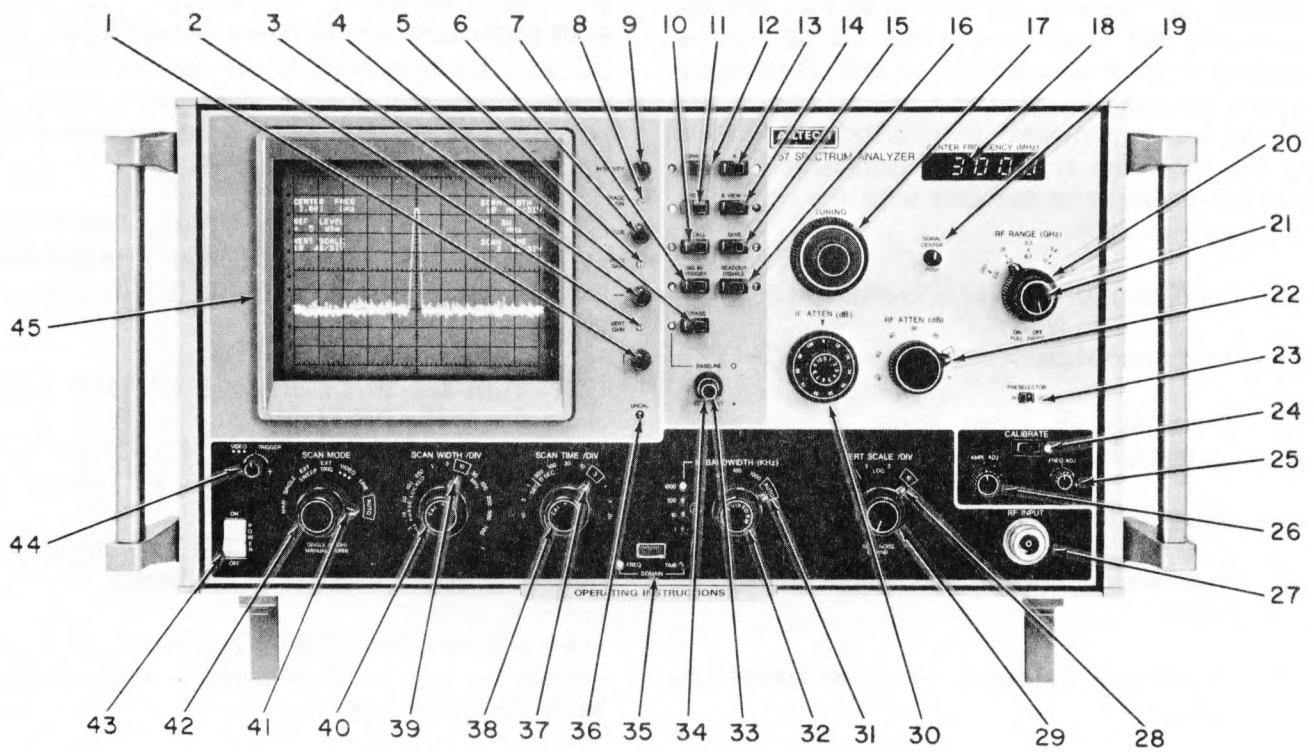


Figure 3-1. 757 Spectrum Analyzer Front Panel Controls, Indicators and Connector

Table 3-1. 757 Spectrum Analyzer Front Panel Controls, Indicators, and Connector



Figure 3-1 Index No.	Control and Indicator	Function
1	 Control	Adjusts vertical position of trace. (Refer to paragraph 2-18 steps 4 and 5.)
2	VERT GAIN Control	Adjusts vertical length of trace for full scale deflection, or as required by application.
3	 Control	Adjusts horizontal position of trace. (Refer to paragraph 2-18 step 6.)
4	BYPASS Pushbutton	Eliminates digitizing of the video signal and displays it in analog form.
5	HORZ GAIN Control	Adjusts horizontal length of trace for full scale deflection, or as required by application.
6	FOCUS Control	Adjusts clarity of trace by controlling spot size.
7	SIG IN-MEMORY Pushbutton	Subtracts the contents of the A memory from Channel A or the B memory from Channel B.
8	TRACE ALIGN Control	Rotates trace for horizontal alignment.
9	INTENSITY Control	Adjusts the brightness of the display from completely extinguished (full counterclockwise position) to acceptable viewing brightness as control is turned clockwise.
10	RECALL Pushbutton	Displays the contents of A memory when A is selected or the contents of B memory when B VIEW A is selected. A channel remains active in latter mode.
11	HOLD Pushbutton	Holds data from channel A when A is activated or from channel B when B VIEW A is activated.
12	SIGNAL IN Pushbutton	Inputs active signal.
13	A Pushbutton	Displays input signal from channel A.
14	B VIEW A Pushbutton	Displays input signal from channel B and data from channel A. The two traces will be the same unless channel A data is fixed by HOLD or SAVE.
15	SAVE Pushbutton	Saves contents of channel A in a separate memory register when A is activated or contents of channel B when B VIEW A is activated.
16	READOUT DISABLE Pushbutton	Removes the control setting readout from the CRT display.
17	TUNING Control	a. Sets the center frequency of the interval being scanned. The outer knob is for coarse tuning and the inner knob is mechanically reduced by a five to one ratio for finer tuning adjustments.  b. Sets the marker frequency in the full range scan mode.

Table 3-1. 757 Spectrum Analyzer Front Panel Controls, Indicators, and Connector (Continued)

Figure 3-1 Index No.	Control and Indicator	Function
18	CENTER FREQUENCY (MHz) Readout Indicator	<ul style="list-style-type: none"> <li>a. This five digit LED display indicates the frequency of the signal at the center of the display.</li> <li>b. Indicates marker frequency in FULL RANGE mode.</li> <li>c. Indicates tuned frequency in TIME DOMAIN (zero span) mode.</li> </ul>
19	SIGNAL CENTER/ PUSH Control	<ul style="list-style-type: none"> <li>a. Centers the signal in the bandpass of the preselector assuring a maximum amplitude display under all operating conditions. This control manually compensates for any tracking misalignment between the local oscillator and the preselector. It is required more often at high frequencies where harmonic mixing is used.</li> <li>b. At dispersions of 300 KHz and lower (in phase lock), this control, when PUSHed, will transfer the lock to another frequency in 1XN MHz spacings (N is the LO harmonic mixing number. It also allows for the recapture of a broken lock without readjusting any of the other controls.</li> </ul>
20	RF RANGE (GHz) Control	<p>Selects frequency limits of the spectrum being scanned as follows:</p> <ul style="list-style-type: none"> <li>.001 to 2.0 GHz</li> <li>1.8 to 4.0 GHz</li> <li>3.3 to 8.3 GHz</li> <li>5.4 to 12.4 GHz</li> <li>10.0 to 22 GHz</li> </ul>
21	FULL RANGE ON/OFF Control	In the ON position the analyzer scans the entire spectrum indicated by the RF RANGE (GHz) control. In the OFF position the scanning interval will be that defined by the SCAN WIDTH/DIV control.
22	RF ATTEN (dB) Control	Provides 0 to 60 dB of attenuation in 10 dB steps to the input signal pre-saturation and possible damage to the input mixer from strong signals.
23	PRESELECTOR IN/ OUT Control	Allows the preselector to be electronically removed from the analyzer increasing the sensitivity by approximately 10 dB. This is most useful in 1.8 to 22 GHz range.
24	CALIBRATE Pushbutton	Inputs the internal harmonic generator that supplies 100 MHz spaced signals from 100 MHz to 22 GHz.
25	FREQ ADJ Control	Adjusts CENTER FREQUENCY (MHz) readout for accurate calibration up to a maximum of $\pm 20$ MHz.
26	AMPL ADJ Control	Adjusts the REF LEVEL (0 dB graticule line) in 1 dB steps for accurate amplitude calibration.

Table 3-1. 757 Spectrum Analyzer Front Panel Controls, Indicators, and Connector (Continued)

Figure 3-1 Index No.	Control and Indicator	Function
27	RF INPUT Connector	Precision type N female connector: input for signals in the range from 0 to 22 GHz.
28	VERT SCALE/DIV Control	Sets the logarithmic amplitude of the display (LOG) to be 2, 5 or 10 dB per division, or converts to linear amplitude display (LIN).
29	EXPAND REF/NOISE Control	Permits signal expansion either upward from the noise for very weak signals, or downward from the REF LEVEL for strong signals and to maintain amplitude calibration.
30	IF ATTEN (dB) Control	Step attenuator to adjust the display amplitude. Other knob provides 100 dB attenuation in 10 dB steps; inner knob provides 10 dB in 1 dB steps.
31	IF BANDWIDTH (KHz) Control	<ul style="list-style-type: none"> <li>a. Manually selects an IF bandwidth of 1, 10, 100 or 1000 KHz.</li> <li>b. in AUTO the analyzer selects the proper IF filter for the combined SCAN WIDTH/DIV and SCAN TIME/DIV control settings. An LED indicator designates which filter is selected.</li> </ul>
32	VAR VIDEO BW Control	In the off position (full clockwise) a video filter of approximately equal bandwidth to the IF filter will be automatically selected. When rotated counterclockwise a continuous amount of smoothing will be obtained.
33	BASELINE Control	Adjusts baseline clipping level. Operational only in BYPASS mode.
34	CONTRAST Control	Adjusts intensity of the clipped portion of the display. Operational only in BYPASS mode.
35	DOMAIN/FREQ/ TIME Control	Selects either frequency domain or time domain (zero span).
36	UNCAL Indicator	<p>Warning light denoting uncalibrated display due to:</p> <ul style="list-style-type: none"> <li>a. Either the SCAN TIME/DIV or SCAN WIDTH/DIV vernier in the uncalibrated position.</li> <li>b. FREQ DOMAIN mode with SCAN TIME/DIV between 1 and .01 msec.</li> <li>c. Incorrect IF bandwidth for SCAN TIME/DIV and/or SCAN WIDTH/DIV selected.</li> <li>d. VAR VIDEO BW control in the uncalibrated position.</li> </ul>
37	SCAN TIME/DIV Control	Selects calibrated frequency sweeps from 10 seconds to .01 msec per division.



Table 3-1. 757 Spectrum Analyzer Front Panel Controls, Indicators, and Connector (Continued)

Figure 3-1 Index No.	Control and Indicator	Function
38	SCAN TIME CAL Vernier	Concentric control for interpolation between values.
39	SCAN WIDTH/DIV Control	Selects calibrated frequency scan widths from 1 kHz to 700 MHz per division.
40	SCAN WIDTH CAL Vernier	Concentric control for interpolation between calibrated values. Allows reduction of scan width to zero.
41	SCAN MODE Control	<p>Selects trigger mode for internal scan or sets analyzer to accept an external control signal as follows:</p> <p><input type="checkbox"/> <b>AUTO</b>      Recurring scan, internally generated</p> <p><input type="checkbox"/> <b>LINE</b>      Scan triggered by the ac line frequency</p> <p><input type="checkbox"/> <b>VIDEO</b>      Scan triggered by the detected RF input signal whose level is controlled by VIDEO TRIG control</p> <p><input type="checkbox"/> <b>EXT TRIG</b>      Scan triggered by an external +2 volt minimum signal into rear panel connector.</p> <p><input type="checkbox"/> <b>EXT SWEEP</b>      Requires external 0 to +6 volts signal for 10 divisions left-to-right horizontal deflection into rear panel connector J2.</p> <p><input type="checkbox"/> <b>SINGLE</b>      Single scan initiated by depressing concentric SINGLE (PUSH) pushbutton.</p> <p><input type="checkbox"/> <b>MAN</b>      Allows manual frequency scanning by use of concentric MANUAL (TURN) vernier.</p>
42	SINGLE (PUSH)/MAN- UAL (TURN) Control	Concentric with SCAN MODE control, PUSH for SINGLE scan, TURN for MANUAL scan.
43	POWER ON/OFF Control	ON/OFF control for primary ac power.
44	VIDEO TRIG Control	Adjusts triggering point of detected RF input signal when SCAN MODE control is in VIDEO position.
45	CRT Display	Displays traces of waveforms and alphanumeric readout of functions.
NOTE: <input type="checkbox"/> MARK indicates normal operation position		

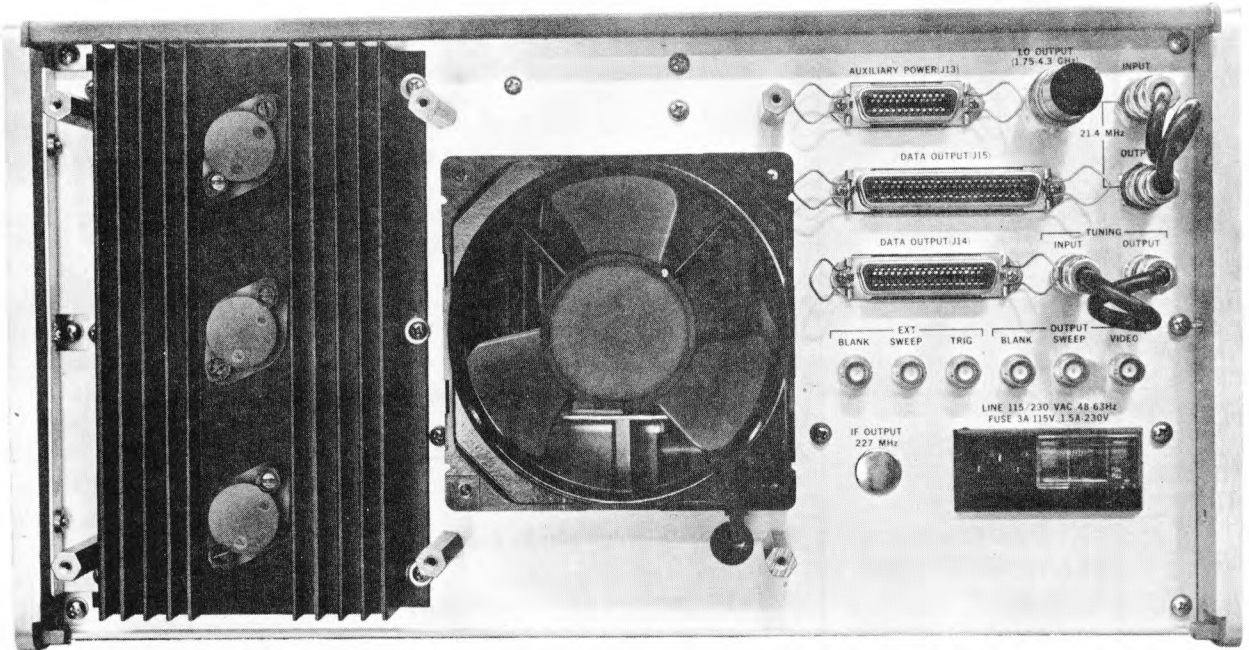
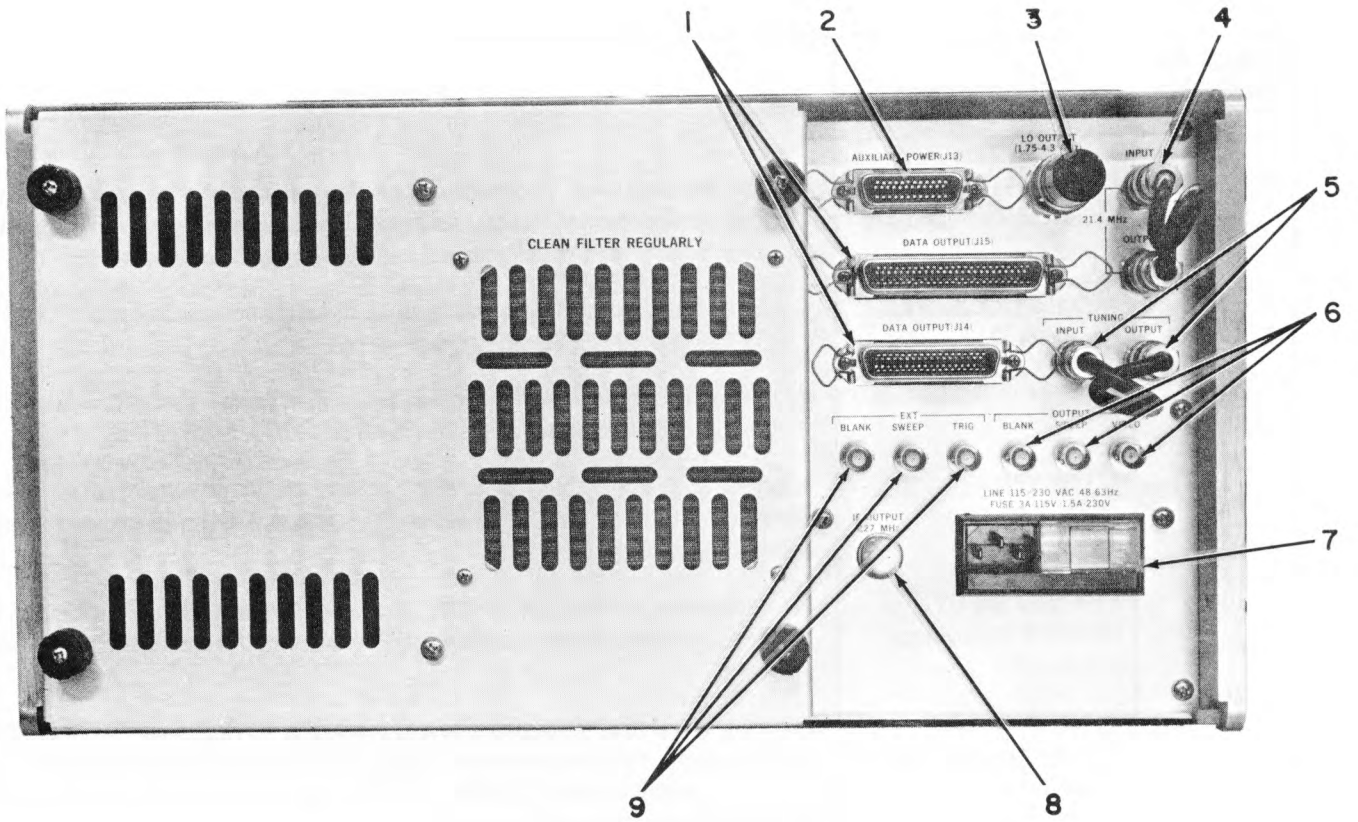


Figure 3-2. 757 Spectrum Analyzer Rear Panel Connectors

Table 3-2. 757 Spectrum Analyzer Rear Panel Connectors

Figure 3-2 Index No.	Connectors	Function
1	DATA OUTPUT 1 and 2 Connectors J14 and J15	Provide the waveform information and the instrument's control positions in a digital parallel binary format. Additional data lines indicate when the information is valid and in which channel and memory register it is stored.
2	AUXILIARY POWER Connector J13	a. Provides the dc voltages and control signals necessary to operate the Type 70726 and 70727 Tracking Generators.  b. Provides parallel outputs for the Video, Sweep and Blank Signals required to operate an external display or recorder.
3	LO OUTPUT (1.75 – 4.5 GHz) Connector J12	A type N connector that makes the Yig local oscillator signal available for external use. Typical output between 1.75 and 4.5 GHz at a power level of approximately 0 dBm.
4	21.4 MHz INPUT/ OUTPUT Connectors J10 and J11	Provides access to the 21.4 MHz IF at a point between the IF attenuator and the LOG detector. Jumper cable must be connected for instrument to function properly.
5	TUNING INPUT/ OUTPUT Connectors J8 and J9	Provides access to the tuning circuits remotely. With jumper in place, front panel tuning control is operational. With jumper removed a dc voltage between $\pm 6$ Vdc applied to the TUNING INPUT connector will tune the analyzer throughout any RF range.
6	OUTPUT Connectors BLANK/SWEEP/ VIDEO J4, J5 and J6	BLANK TTL output. High during retrace.  SWEEP 0 – 6 Vdc level proportional to horizontal sweep position. 0 volts corresponds to left edge of display.  VIDEO 0 – 1.5 Vdc level proportional to vertical deflection. 0 volts corresponds to bottom of display.  NOTE: These outputs correspond to the RF sweep. They are similar to display sweeps in BYPASS mode only.
7	Voltage Selecting and Fused Connector	Internationally approved power line connector, fuse holder and voltage selector card.  Also contains an RFI filter for equipment protection.
8	IF OUTPUT 227 MHz Connector J7	Instruments with 002 Option include a Type BNC connector at this point to output the 227 MHz IF.
9	EXT Input Connectors BLANK/SWEEP/TRIG J1, J2 and J3	BLANK TTL high blanks display waveform.  SWEEP Accepts a 0 – 6 volt signal for full scale deflection.  TRIG Positive going TTL transition initiates sweep.  NOTE: These inputs correspond to the RF sweeps. They will control the display horizontal blanking triggering only in BYPASS mode.

Table 3-3. Preliminary Control Settings For Signals of Known Frequency

Figure 3-1 Index No.	Control Nomenclature	Setting
43	POWER	Set to the ON position.
20	RF RANGE (GHz)	Lowest range that contains frequency signal to be analyzed.
21	FULL RANGE ON/OFF	OFF
17	TUNING	Adjust until CENTER FREQUENCY (MHz) readout (18) indicates desired frequency.
22	RF ATTEN (dB)	Set this control to 60, maximum counterclockwise. Rotate clockwise as required to adjust signal amplitude to convenient level.
30	IF ATTEN (dB)	10 dB
31	IF BANDWIDTH (KHz)	<input type="text" value="AUTO"/>
32	VAR VIDEO BW	Maximum clockwise
28	VERT SCALE/DIV	<input type="text" value="10"/>
37	SCAN TIME/DIV	<input type="text" value="3"/>
39	SCAN WIDTH/DIV	<input type="text" value="10"/>
19	SIGNAL CENTER	Centered
41	SCAN MODE	<input type="text" value="AUTO"/>
35	DOMAIN/FREQ/TIME	FREQ
12	SIGNAL IN	Enabled
13	A	Enabled
23	PRESELECTOR IN/OUT	IN
24	CALIBRATE	Disabled

4. Read its frequency either on the CRT or on the CENTER FREQUENCY (MHz) readout.

**NOTE**

Reducing the SCAN WIDTH/DIV below 1 MHz locks the frequency readout and does not improve accuracy.

**3-10. IMPROVING ACCURACY OF FREQUENCY MEASUREMENT.** Accuracy can be improved to  $\pm 1$  MHz by using the internal CALIBRATE feature of the 757 as follows:

1. Turn on the internal calibrate signal generator by depressing the CALIBRATE control.

2. Adjust the TUNING control until the harmonic signal nearest in frequency to the desired signal is centered on the display.

3. Turn the FREQ ADJ control until the CENTER FREQUENCY (MHz) readout indicates the closest exact multiple of 100 MHz. (e.g., the last two digits of CENTER FREQUENCY (MHz) readout should be zero.)

4. Turn off the internal calibrate signal generator and readjust TUNING control to center input signal. Read corrected frequency. Accuracies approaching ±1 MHz can be attained by following this procedure.

5. Table 3-4 shows the application of the procedure described above.

**3-11. AMPLITUDE MEASUREMENTS.** The 757 Spectrum Analyzer is capable of making absolute power measurements because the top graticule line, designated REF LEVEL, is factory calibrated and referenced to the RF INPUT. A signal level of approximately -20 dBm will read the REF LEVEL line with the IF ATTEN (dB) and RF ATTEN (dB) controls set to 0. If the 001 High Sensitivity Option is included the RF ATTEN (dB) control is set to 20 in the .001 to 2.0 GHz frequency range. As attenuation is added, the absolute value of the REF LEVEL will change accordingly. Therefore, the power level of any signal can quickly be determined by:

Noting the number of divisions the top of the signal is below the REF LEVEL, converting this number to dB using the VERT SCALE/DIV control setting multiplier and subtracting the result from the REF LEVEL value.

Table 3-4. Accuracy Results

Signal	CENTER FREQUENCY (MHz) Readout
Input prior to FREQ ADJ	6132
CALIBRATE prior to FREQ ADJ	6110
CALIBRATE after FREQ ADJ	6100
Input after FREQ ADJ	6122

Example:

1. REF LEVEL -33 dBm (due to arbitrary setting of attenuators)
2. Top signal 2.4 divisions below top line
3. VERT SCALE/DIV 10 LOG
4. Absolute signal power (-33 dBm - 2.4 X 10 dBm = -57 dBm.

3-12. For signals stronger than -20 dBm, the attenuators may be adjusted to position the signal at the top graticule line. Its absolute power can then be read directly on the CRT.

Example:

1. Signal saturates at the top of the display with 0 attenuation.
2. After setting the RF ATTEN (dB) control to 10 and the IF ATTEN (dB) control to 3, signal just reaches REF LEVEL without saturation.
3. Absolute power is read directly on CRT as REF LEVEL -7 dBm.

**NOTE**

For best accuracy always peak the signal using the SIGNAL CENTER control before making an amplitude measurement.

3-13. The accuracy of these measurements can be further improved by using the internal CALIBRATE feature as follows:

1. Turn on the internal calibrate signal generator by depressing CALIBRATE. Adjust the TUNING control until the harmonic signal at the center of the appropriate RF RANGE (GHz) is positioned approximately at the center of the CRT.
2. Peak the signal using the SIGNAL CENTER control.
3. Refer to the calibration chart on the instruments operating instruction card for the absolute power level of this signal. Verify that the value of the REF LEVEL is accurate.

4. Correct any errors by adjusting the AMPL ADJ control.

**NOTE**

Errors of a few dB are possible due to the frequency response characteristics of the analyzer.

3-14. Relative amplitude measurements are most accurately made by the IF substitution method.

1. Position the weaker signal exactly on a convenient graticule line using the IF ATTEN (dB) control. Note the setting of the attenuator.

2. Increase the IF ATTEN (dB) control until the stronger signal is at the same graticule line as above.

3. The difference in attenuator settings is the relative amplitude difference of the signals. For best resolution, use the 5 dB, 2 dB or LIN position of the VERT SCALE/DIV control.

**3-15. TIME DOMAIN (ZERO SCAN) MEASUREMENTS.** The AILTECH 757 Spectrum Analyzer can be fixed tuned at any frequency to display the detected power level as a function of time. This mode of operation is very useful for amplitude modulation measurements and the determination of pulse repetition frequencies. In this mode, a continuous wave signal appears on the CRT as a horizontal line. If the continuous wave signal is sinusoidally modulated, the horizontal lines become a sinusoid.

**NOTE**

The VERT SCALE/DIV control must be in the LIN position or the sinusoid will appear distorted by the log detector.

The frequency response of the detected waveform is limited by the IF and video bandwidths of the instrument.

3-16. Time Domain measurements are made as follows:

1. Set the controls in accordance with Table 3-3.

2. Set the DOMAIN control to the TIME position.

3. For many amplitude modulation measurements it will be desirable to select a more sensitive scale with the VERT SCALE/DIV control, often the LIN position is used.

4. The display can be more easily synchronized by selecting the SCAN MODE control to VIDEO for an internal trigger, or by using the EXT TRIG. The VIDEO TRIG control has a threshold adjustment for optimum performance.

5. The SCAN TIME/DIV control may be set to any position to present the most favorable display.

3-17. FM signals can be demodulated by the slope detection method. Adjust the TUNING control until the signal is on the slope of an appropriate IF filter, about half way between the peak level and the noise. The detected signal can be monitored at VIDEO output connector J6 on the rear panel.

**NOTE**

Time domain operation can also be obtained by setting the SCAN WIDTH/DIV CAL vernier to a fully counter-clockwise position.

**3-18. BANDWIDTH EFFECTS.** The resolution and sensitivity of a spectrum analyzer are functions of its IF bandwidth; the narrower the bandwidth, the better the resolution and sensitivity. However, narrow bandwidths require narrow scan widths, slow scan times, or both; otherwise, the IF filters may not have sufficient time to fully respond to the signal, resulting in an apparent loss in signal level. If the IF bandwidth is wider than the scan width, there will be a loss of resolution. For any particular combination of SCAN WIDTH/DIV and SCAN TIME/DIV control settings, there is an optimum IF bandwidth providing the best resolution without loss of signal level.

3-19. The IF BANDWIDTH (KHz) control provides four bandwidths and an AUTO position. When the control is in the latter position, the analyzer automatically selects the bandwidth closest to the optimum value. This feature relieves the operator of the necessity of continually

readjusting the IF BANDWIDTH as the SCAN WIDTH/DIV and SCAN TIME/DIV controls are changed. The bandwidths selected by the analyzer in the AUTO bandwidth mode are shown in Figure 3-3 for reference.

**3-20. NARROWBAND SPECTRUM ANALYSIS.**

The AILTECH 757 Spectrum Analyzer provides calibrated scan widths as small as 1 KHz per division, thus permitting finely detailed analysis of signal spectra. In order to fully utilize these narrow scan widths, the internal Yig local oscillator of the analyzer is frequently stabilized. The stabilization system (phase-lock loop) activates automatically when the SCAN WIDTH/DIV control is switched from a MHz to a KHz position. To operate the AILTECH 757 Spectrum Analyzer at KHz scan widths, proceed as follows:

1. Set the controls per Table 3-3.
2. Adjust the TUNING control until the signal of interest is centered.
3. Reduce the SCAN WIDTH/DIV control one step at a time to the 1 MHz/div position. Adjust the TUNING control if necessary to keep the signal centered.

4. Reduce the SCAN WIDTH/DIV control to 300 KHz/div.

5. The analyzer first LO should now be stabilized recentered automatically (the signal should be positioned within one division of the center of display).

6. If the signal jumps off screen, push the SIGNAL CENTER control and adjust until the signal is within 2 divisions of center. It should be noted that there are 1 MHz steps between adjacent phase locks in fundamental mixing modes.

7. Readjust the TUNING control to center the signal.

8. Reduce the SCAN WIDTH/DIV control as desired, centering the signal with the TUNING control if necessary.

**3-21. BROADBAND SPECTRUM ANALYSIS.**

The AILTECH 757 Spectrum Analyzer provides two means by which large segments of the microwave frequency spectrum may be examined. These are: (1) full range scan and (2) the calibrated MHz scan widths. The full range scan provides a display of the entire frequency spectrum indicated by the

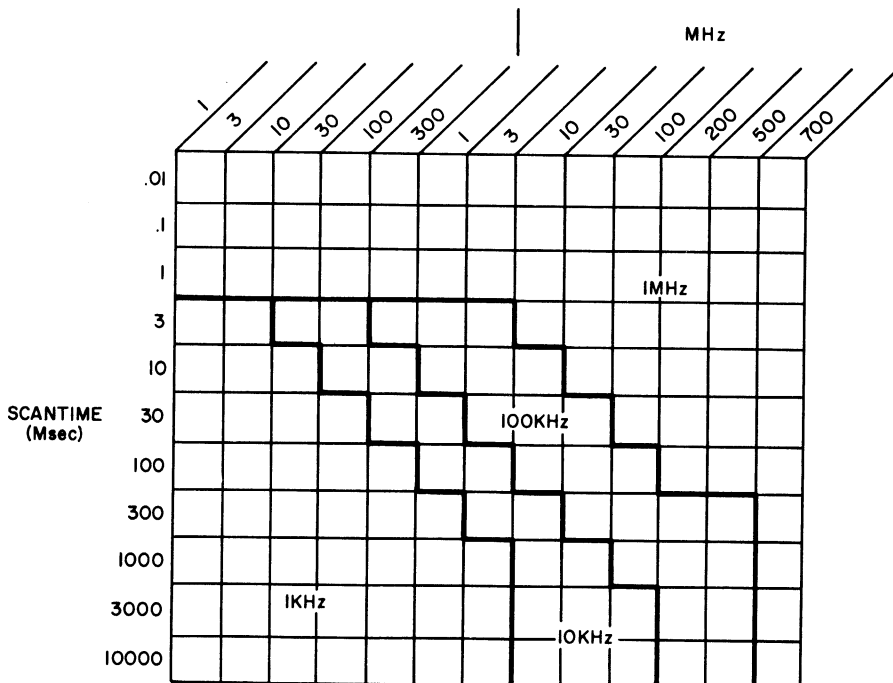


Figure 3-3. IF BANDWIDTH Selected by Spectrum Analyzer in AUTO Position

setting of the RF RANGE (GHz) control. The preliminary control settings of Table 3-3 will set the analyzer for this mode of operation. Turn the FULL RANGE ON/OFF control clockwise to the ON position. When the signal of interest is connected to the RF INPUT it should be visible on the CRT if it is within the RF range selected. A triangular marker notch will also appear on the baseline of the display. The position of the notch is set by the TUNING control, and the marker frequency is displayed by the digital CENTER FREQUENCY (MHz) readout. If it is desired to examine a particular segment of the full RF range in greater detail, proceed as follows:

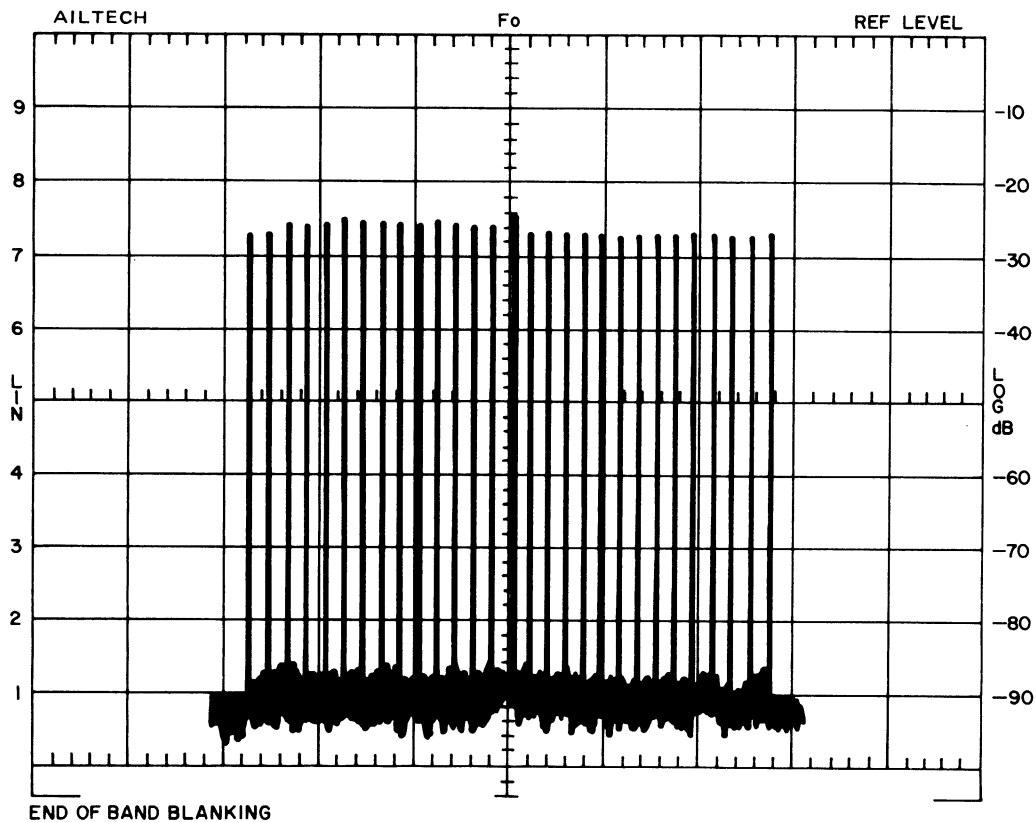
1. Adjust the marker position until it is directly under the signal of interest (indicated by a dip in signal amplitude).

2. Set the SCAN WIDTH/DIV control for the desired spectrum width (MHz/div scan widths only), calibrated from 1 KHz to 700 MHz per division.

3. Turn the FULL RANGE control to OFF.

4. The signal of interest will now appear near the center of the display. Adjust the TUNING control for exact centering.

3-22. There are combinations of RF RANGE, TUNING, and SCAN WIDTH/DIV settings which could result in portions of the display representing frequencies beyond the limits of the RF RANGE (GHz) control setting. If this condition should occur, the out-of-range areas are automatically blanked and the display will be less than a full 10 divisions. Figure 3-4 illustrates this condition.



$F_0 = 3.0 \text{ GHz}$   
 RF RANGE CONTROL SET AT 1.8 – 4.0 GHz  
 SCAN WIDTH CONTROL SET AT 500 MHz/DIV

Figure 3-4. Automatic Out-of-Range Blanking





**SECTION 4**

**PERFORMANCE TESTS AND CALIBRATION**

**4-1. INTRODUCTION**

4-2. This section details the calibration procedures necessary to verify that the instrument is operating within its prescribed performance limits. AILTECH recommends that these procedures be performed every six months or 1000 hours of operation.

**NOTE**

This section contains calibration procedures only. Refer to Section 6 for alignment and adjustment, or Section 7 for service, if required.

4-3. This section is divided as follows:

a. Calibration Description – a tabular presentation of the instruments characteristics, performance specifications, and test methods.

b. Equipment Requirements – a list of the required calibration equipment including its generic name, minimum use specification, and a recommended manufacturer and model.

c. Preliminary Operations – includes warm-up instructions and equipment connections that are preliminary to the complete calibration process.

d. Calibration Process – describes in detail the procedures required to perform the complete calibration process.

**4-4. IDENTIFICATION AND DESCRIPTION**

4-5. Table 4-1 summarizes the tests to be performed to ensure that the AILTECH 757 Spectrum Analyzer meets these specifications.

Table 4-1. Calibration Description

Test Instrument Characteristics	Performance Specifications	Test Method
RF Attenuator	±1 dB per 10 dB step ±2 dB cumulative	Comparison with a calibrated external attenuator
IF Attenuator	±0.2 dB per 1 dB step ±0.5 dB cumulative  ±0.250 dB per 10 dB step ±1.0 dB cumulative	Comparison with a calibrated external attenuator
Log Display Accuracy	±0.25 dB/dB but not more than ±2 dB over full 100 dB range	Comparison with a calibrated external attenuator
Reference Level and Calibration Signal Level	±1 dB	Measuring calibration signal level by substitution and calibrating reference level readout.

Table 4-1. Calibration Description (Continued)

Test Instrument Characteristics	Performance Specifications	Test Method
<p>Sensitivity:</p> <p>Band 1</p> <p>Band 2</p> <p>Band 3</p> <p>Band 4</p> <p>Band 5</p>	<p>-105 dBm/kHz (125 dBm/kHz if 001 option is included)</p> <p>-110 dBm/kHz</p> <p>-105 dBm/kHz</p> <p>-100 dBm/kHz</p> <p>-90 dBm/kHz</p>	<p>Determination of the average level of the noise trace by using calibrated Reference Level and Display.</p>
<p>Residual Responses</p>	<p>Less than -90 dBm referred to signals at the RF input</p>	<p>Measurement of any "signal" response level on display in the absence of input signals.</p>
<p>Center Frequency Accuracy:</p> <p>Band 1      1 MHz - 1 GHz</p> <p>                 1 - 2 GHz</p> <p>Band 2</p> <p>Band 3</p> <p>Band 4</p> <p>Band 5</p>	<p>±6 MHz</p> <p>±8 MHz</p> <p>±0.2%</p> <p>±0.2%</p> <p>±0.2%</p> <p>±0.2%</p>	<p>Comparison with the signals received from a 100 MHz Comb Generator.</p>
<p>Scan Width Accuracy</p>	<p>±10% of total span</p>	<p>Comparison of signal spacing from frequency synthesizer and comb generator.</p>
<p>Frequency Response:</p> <p>Band 1</p> <p>Band 2</p> <p>Band 3</p> <p>Band 4</p> <p>Band 5</p>	<p>±1.5 dB</p> <p>±2.0 dB</p> <p>±2.5 dB</p> <p>±2.5 dB</p> <p>±3.0 dB</p>	<p>Application of a constant level, swept signal, throughout each band and observation of amplitude variations on the display.</p>
<p>IF Bandwidth Accuracy</p>	<p>1 kHz typically 1.3 kHz ±20%</p> <p>10 kHz, 100 kHz ±10%</p> <p>1 MHz typically 1.5 MHz ±20%</p> <p>Above S/N 700:</p> <p>1 MHz ±20%</p>	<p>Energize internal calibrate generator and observe the 3 dB bandwidth on display.</p>
<p>Scan Time Accuracy</p>	<p>.01 msec/div. to 1 sec/div. ±10%</p> <p>3 and 10 sec/div. ±20%</p>	<p>With the analyzer in the fixed tuned mode, observe a sine wave modulated signal on the display. Adjust the frequency of modulation such that each cycle is aligned with a graticule line. Measure the modulation frequency and calculate time.</p>

Table 4-1. Calibration Description (Continued)

Test Instrument Characteristics	Performance Specifications	Test Method
Noise Sidebands for fundamental mixing using 1 kHz IF filter	Greater than 70 dB down 30 kHz from carrier 80 dB at 90 kHz away 90 dB at 300 kHz away 95 dB at 1 MHz away	Using the internal calibrate signal and observing the amplitude of the noise level at the various frequency separations.
Residual FM In phase-lock	Less than 200 Hz peak to peak	Using the linear skirt of the 1 kHz filter in the analyzer to discriminate signal installation.

**4-6. TEST EQUIPMENT REQUIREMENTS**

4-7. Table 4-2 summarizes the required test equipment and accessories for the complete calibration process. A minimum use specification column is included to assist in the selection of alternate equipment in the event the items in column 4 are not available. Satisfactory performance of alternate items must be verified prior to use. All applicable equipment must bear evidence of current calibration.

**4-8. PRELIMINARY OPERATIONS**

4-9. This paragraph includes the instrument control settings, cable connections and warmup instructions that are preliminary to the complete calibration process.



Verify that the rear panel line voltage selector card is installed in its proper position for either 115 Vac or 230 Vac. Verify that the line fuse is of the proper rating for the line voltage selected.

1. Observe that two small jumper cables on the rear panel connect the 21.4 MHz INPUT to OUTPUT connectors J10 and J11, and the TUNING INPUT and OUTPUT connectors J8 and J9.
2. Energize the spectrum analyzer and allow a one hour warmup period before proceeding with the calibration tests of paragraph 4-10.
3. Verify that the rear panel fan is operational.

4. Verify that the CENTER FREQUENCY (MHz) readout is illuminated.

5. Set the front panel controls as follows and refer to paragraph 2-18 steps 4 through 6 and position the vertical  $\updownarrow$  and horizontal  $\leftrightarrow$  controls as indicated.

RF RANGE (GHz)	1.8 - 4.0
FULL RANGE	OFF
RF ATTEN (dB)	0
IF ATTEN (dB)	10
TUNING	3000 MHz
SCAN MODE	<input type="text" value="AUTO"/>
SCAN WIDTH/DIV	<input type="text" value="10"/>
SCAN TIME/DIV	<input type="text" value="3"/>
IF BANDWIDTH (KHz)	<input type="text" value="AUTO"/>
VERT SCALE/DIV	<input type="text" value="10"/>
BYPASS	On
DOMAIN	FREQ
VAR VIDEO BW	Fully clockwise
SCAN WIDTH/DIV Vernier	Fully clockwise
SCAN TIME/DIV Vernier	Fully clockwise
EXPAND	NOISE
<i>Preselector</i>	<i>IN</i>

Table 4-2. Test Equipment Required

Item	Category	Minimum Use Specification	Recommended Equipment
1	Signal Generator	Frequency 1 MHz to 1 GHz, 5 kHz min resolution Stability $\pm 100$ Hz	AILTECH 360 Frequency Synthesizer
2	Swept Signal Generator	Frequency 100 MHz - 18 GHz Internal Leveling, Manual Sweep Control	AILTECH 6600/9514D/9515D
3	Swept Signal Generator	Frequency 1 MHz - 100 MHz Manual Sweep Control	Wavetek 2000
4	Swept Signal Generator	Frequency 18 - 22 GHz Manual Sweep Control	Hewlett Packard 8690/8696A
5	Function Generator	Frequency 0.1 Hz - 100 kHz	Wavetek 180
6	Comb Generator	Frequency 100 MHz - 20 GHz Signal spacing 100 MHz	AILTECH 70790
7	Precision Attenuator	Frequency 21.4 MHz Accuracy $\pm 1$ dB Range 80 dB	AILTECH 3220-2
8	Amplifier	Frequency 21.4 MHz Gain 20 dB	Hewlett Packard 461A
9	Power Meter	Frequency 1 MHz - 18 GHz	Boonton 42B/41-4E
10	Counter	Frequency DC-100 kHz	Systron Donner 6150
11	Frequency Meter	Frequency Range 1 - 4 GHz	Hewlett Packard 536A
12	Frequency Meter	Frequency Range 4 - 12.4 GHz	Hewlett Packard 537A
13	Frequency Meter	Frequency Range 12.4 - 18 GHz	Hewlett Packard 532A
14	Termination	50 ohm	Omni Spectra 3001-61-00-00
15	Comb Generator	Frequency Increment 1, 10, 100 MHz Frequency Accuracy $\pm 0.01\%$	Hewlett Packard 8406
16	Oscilloscope	Bandwidth DC - 200 MHz	Tektronix 475A
17	Oscilloscope	Differential Input 200 MV/div	Tektronix 502

Table 4-2. Test Equipment Required (Continued)

Item	Category	Minimum Use Specification	Recommended Equipment
18	Digital Multimeter	4½ Digits	Systron Donner 7004A
19	Resistive Decade Box	1MΩ Maximum resistance	General Radio Type 1433B
20	Tracking Generator	.001 - 12.4 GHz	AILTECH 70727

6. Observe the noise baseline that extends horizontally across the display at about 70 to 80 dB graticule lines.



Use care when working near the CRT. Avoid striking it with any object that might cause it to crack or implode.

7. Rotate the BASELINE control clockwise and observe that the noise baseline disappears.

8. Rotate the CONTRAST control clockwise and observe that the noise baseline can be brought back with variable intensity.

9. Press CALIBRATE to energize the calibration signal generator. Observe that a signal is present near mid-screen.

10. Set in sufficient IF attenuation to reduce the signal to the 50 dB graticule line. Set the VERT SCALE/DIV to 5 and verify that the signal extends within one division of the 0 dB graticule.

11. Set in additional IF attenuation to reduce the signal to the 60 dB graticule line. Set the VERT SCALE/DIV to 2 and again verify that the signal extends to within one division of the 0 dB graticule.

12. Set VERT SCALE/DIV to LIN and observe that the signal peak remains at approximately

the same position. Return the IF ATTEN to 10 and the VERT SCALE/DIV to 10.

13. Exercise the SCAN WIDTH/DIV control over the settings given below and verify the IF BANDWIDTH (KHz) AUTO operation by observing that the correct LED bandwidth indicator is selected.

<u>SCAN WIDTH/DIV</u>	<u>SCAN TIME/DIV</u>	<u>IF BANDWIDTH (KHz)</u>
10 MHz, and above	3 msec	1000
3,1 MHz and 300 kHz	3 msec	100
100, 30 kHz	3 msec	10
10 kHz and below	3 msec	1

14. Set the SCAN WIDTH/DIV to **10** MHz and the IF BANDWIDTH (KHz) to **AUTO** positions.

15. Rotate the VAR VIDEO BW control slowly counterclockwise and note that the amplitude of the noise baseline and the signal is greatly reduced. Return the VAR VIDEO BW fully clockwise until locked.

16. Set SCAN MODE to LINE position and observe that a display trace still appears (with possibly more flicker).

17. Set SCAN MODE to SINGLE position. Press concentric control and verify that a single trace is obtained.

18. Set SCAN MODE to MAN position. Rotate concentric control and observe that the trace can be manually positioned on display. Return SCAN MODE to **AUTO** position.

19. Set the SCAN TIME/DIV to 100 msec. Press BYPASS pushbutton. Observe that the display is now flicker free indicating digital mode operation.

20. Press READOUT DISABLE pushbutton and observe that the alphanumeric readout shown on the CRT are now blanked.

21. Turn off CALIBRATE and return controls to positions given in step 5.

**4-10. CALIBRATION PROCESS**

**NOTE**

Unless otherwise specified, verify the results of each test and take corrective action whenever the test requirement is not met, before proceeding with the procedure. Refer to Sections 6 and 7 for detailed alignment and troubleshooting procedures.

**4-11. RF ATTENUATOR 1A2A14.** To calibrate the RF attenuator, proceed as follows:

Test Equipment Required

Signal Generator	AILTECH 360
Precision Attenuator	AILTECH 3220-2

1. Connect the test set-up as shown in Figure 4-1. The precision attenuator is placed between the 21.4 MHz IN and OUT connectors, J10 and J11 respectively on the rear panel. Add a fixed 10 dB attenuator between the signal generator and RF input of spectrum analyzer to minimize

mismatch uncertainties and initially set the precision attenuator to 60 dB.

2. Set the front panel controls as follows:

RF RANGE (GHz)	.001 -2.0
FULL RANGE	OFF
RF ATTEN (dB)	0
IF ATTEN (dB)	40
TUNING	100 MHz
SCAN MODE	<b>AUTO</b>
SCAN WIDTH/DIV	<b>10</b>
SCAN TIME/DIV	<b>3</b>
IF BANDWIDTH (KHz)	<b>AUTO</b>
VAR VIDEO BW	Fully clockwise
VERT SCALE/DIV	2 LOG
EXPAND	NOISE
SIGNAL IN	On
A	On

3. Adjust the signal generator for an output signal of 100 MHz, with an output level of -5 dBm so that the signal power into the spectrum analyzer is -15 dBm. If the instrument is equipped with a 001 Increased Sensitivity Option, the generator should be set for an output level of -25 dBm, so that the input level to the analyzer is -35 dBm.

4. Adjust TUNING control if required to center signal on display.

5. Set SCAN WIDTH/DIV to 300 KHz and recenter signal as required by TUNING control.

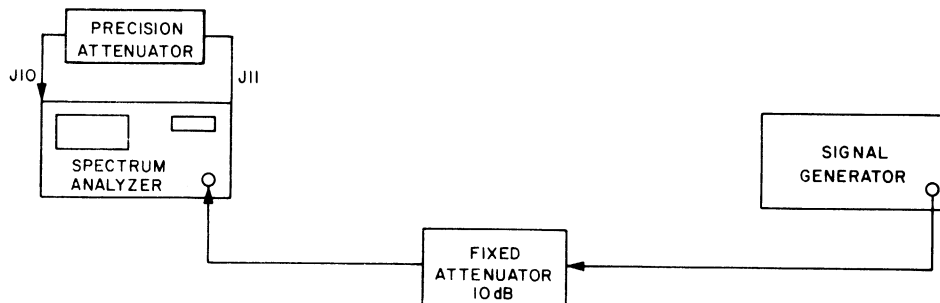


Figure 4-1. RF Attenuator Test Set-Up

6. Set IF BANDWIDTH (KHz) to 100 and VAR VIDEO BW fully counterclockwise.

7. Set DOMAIN control to TIME position and adjust fine TUNING until the horizontal trace reaches a peak position on the display.

8. Slightly adjust signal power until a suitable reference line is attained; e.g., 40 dB.

9. Add 10 dB to the RF ATTEN (dB) and remove attenuation from the precision attenuator until the signal is again at the reference. Read the amount of attenuation removed and record the difference.

10. Reset the precision attenuator to 50.0 dB and if necessary, adjust signal power until reference is again established. Repeat step 9.

11. Continue for remaining four attenuator steps.

12. Reestablish reference line and exchange entire 60 dB between attenuators in one step to measure cumulative error. Record deviation.

**4-12. IF ATTENUATOR 1A2A13.** To check the IF Attenuator 1A2A13, proceed as follows:

Test Equipment Required

Signal Generator	AILTECH 360
Precision Attenuator	AILTECH 3220-2
Amplifier	Hewlett Packard 461A

1. Connect test set-up as shown in Figure 4-2. Connect the external precision attenuator between the 21.4 MHz IN and OUT connectors J10 and J11 on the rear panel without the 461A amplifier.

2. Set the front panel controls and switches as follows:

RF RANGE (GHz)	.001 - 2.0
FULL RANGE	OFF
RF ATTEN (dB)	<input type="text" value="10"/>
IF ATTEN (dB)	0
TUNING	100 MHz
SCAN MODE	<input type="text" value="AUTO"/>
SCAN WIDTH/DIV	<input type="text" value="10"/>
SCAN TIME/DIV	<input type="text" value="3"/>
IF BANDWIDTH (KHz)	<input type="text" value="AUTO"/>
VAR VIDEO BW	Fully clockwise
VERT SCALE/DIV	2 LOG
EXPAND	NOISE
SIGNAL IN	On
A	On

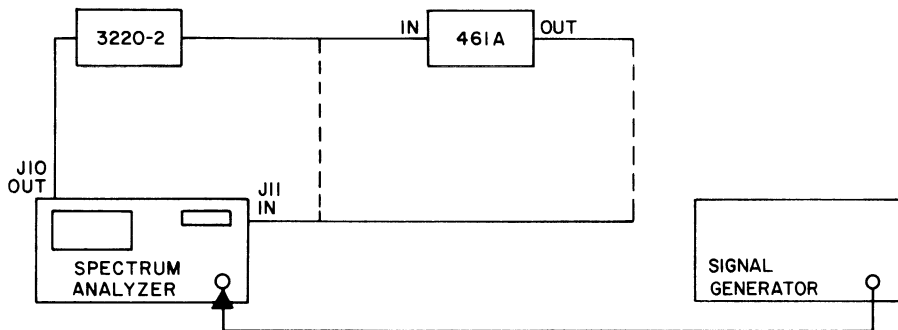


Figure 4-2. IF Attenuator, and Display Accuracy Test Set-Up



3. Adjust the signal generator for an output signal of 100 MHz, with an output level of -5 dBm so that the signal power into the spectrum analyzer is -15 dBm. If the instrument is equipped with a 001 Increased Sensitivity Option, the generator should be set for an output level of -25 dBm, so that the input level to the analyzer is -35 dBm.

4. Adjust TUNING control as required to center signal on display.

5. Set SCAN WIDTH/DIV setting to 300 kHz. Recenter signal as required by using TUNING control.

6. Set IF BANDWIDTH (KHz) to 100 and VAR VIDEO BW control fully counterclockwise.

7. Set DOMAIN control to TIME position and adjust TUNING control until the horizontal line reaches a peak position on the display.

8. Adjust the signal power until a suitable reference line is attained; e.g., 60 dB.

9. Add 1 dB to the IF ATTEN (dB) control and remove attenuation from the precision attenuator until the signal is again at the reference. Read the amount of attenuation removed and record deviation from 1 dB.

10. Reset precision attenuator to 79 dB and if necessary, adjust signal power until reference is again established. Repeat step 9.

11. Continue reducing the precision attenuator in 1 dB steps (78, 77 etc.) and repeat step 9 until the entire 10 dB has been checked. Reset the IF attenuator to 0 dB.

12. Reset precision attenuator to 80 dB, repeat step 8 and exchange entire 10 dB between attenuators in one step to measure cumulative error. Record deviation.

13. Reset precision attenuator to 80 dB and reestablish reference line.

14. Add 10 dB to the IF ATTEN (dB) control and remove attenuation from the precision attenuator until the signal is again at the reference. Read the amount of attenuation removed and record deviation from 10 dB.

15. Reset precision attenuator to 70 dB and adjust signal power until reference is again established. Repeat step 14.

16. Continue reducing the precision attenuator in 10 dB steps similar to step 11 and repeat step 14 until the first 80 dB of attenuation has been checked.

17. Reset precision attenuator to 80 dB, IF ATTEN control to 0 and exchange entire 80 dB between attenuators in one step to measure cumulative error.

18. Connect the HP461A amplifier between the output of the precision attenuator and rear panel connector 1A3J11. Set the amplifier for 20 dB gain, precision attenuator to 60 dB and the IF ATTEN control to 80 dB and adjust the signal power until the reference is again established.

19. Continue the substitution of the final 20 dB as per steps 14, 15 and 16.

20. Reset precision attenuator to 60 dB, IF ATTEN to 80 dB and exchange entire 20 dB between attenuators in one step to measure the cumulative error.

21. Add cumulative error of step 17 to that of step 20.

**4-13. DISPLAY ACCURACY.** To calibrate the display accuracy, proceed as follows:

Test Equipment Required

Signal Generator                      AILTECH 360

1. Connect test set-up as shown in Figure 4-2 and connect jacks J10 and J11 directly.

2. Set the front panel controls as follows:

RF RANGE	.001 - 2.0
FULL RANGE	OFF
RF ATTEN (dB)	<span style="border: 1px solid black; padding: 2px;">10</span>
IF ATTEN (dB)	0
TUNING	100 MHz
SCAN MODE	<span style="border: 1px solid black; padding: 2px;">AUTO</span>

SCAN WIDTH/DIV	<input type="text" value="10"/>
SCAN TIME/DIV	<input type="text" value="3"/>
IF BANDWIDTH (KHz)	<input type="text" value="AUTO"/>
VERT SCALE/DIV	<input type="text" value="10"/>
SIGNAL IN	On
A	On

3. Set the IF ATTEN (dB) to 100 and the VAR VIDEO BW control fully counterclockwise. Adjust the vertical positioning control on the display (↓) until the noise baseline is centered on the 102 dB graticule mark.

4. Set IF ATTEN (dB) to 0, VAR VIDEO BW control fully clockwise and adjust signal generator for full scale deflection approximately 0 dBm at 100 MHz. (-20 dBm with 001 option).

5. Adjust TUNING control as required to center signal on display.

6. Set SCAN WIDTH/DIV setting to 300 KHz, recentering signal as required by TUNING control.

7. Set IF BANDWIDTH (KHz) to 100 and VAR VIDEO BW control fully counterclockwise.

8. Set DOMAIN to TIME position and adjust TUNING control until the horizontal line reaches peak position on the display.

9. Adjust signal power until the trace is exactly aligned with the 0 dB graticule line.

10. Add 10 dB to the IF attenuator and note the deviation from the 10 dB line. Record deviation.

11. Adjust signal power until trace is exactly on the 10 dB line and add another 10 dB with the IF attenuator. Record deviation from 20 dB line.

12. Reestablish reference and continue in 10 dB increments until 90 dB has been reached.

**NOTE**

Last 10 dB is close to the noise and could have an additional 1 to 2 dB error.

13. Return IF attenuator to 0 and adjust signal power as required to set trace exactly on 0 dB line.

14. Add entire 90 dB in one step and measure cumulative deviation from 90 dB line.

**4-14. REFERENCE LEVEL AND CALIBRATION SIGNAL LEVEL.** To calibrate the reference level and calibration signal level, proceed as follows:

Test Equipment Required

Swept Signal Generator	AILTECH 6600/ 9514D/9515D
Power Meter	Boonton 42B/41-4E

1. Connect the test set-up as shown in Figure 4-3.

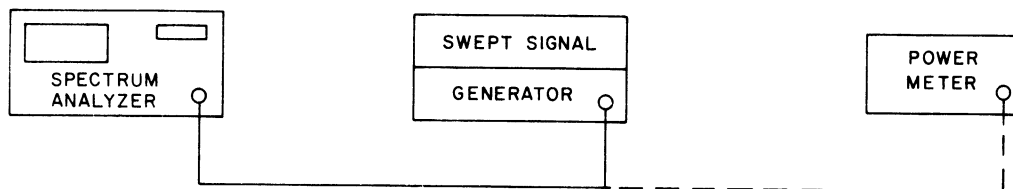


Figure 4-3. Reference Level and Calibration Signal Level Test Set-Up

2. Set the front panel controls as follows:

RF RANGE (GHz)	.001 -2.0
FULL RANGE (GHz)	OFF
RF ATTEN (dB)	30
IF ATTEN (dB)	0
TUNING	1000 MHz
SCAN MODE	<input type="text" value="AUTO"/>
SCAN WIDTH/DIV	<input type="text" value="10"/>
SCAN TIME/DIV	<input type="text" value="3"/>
IF BANDWIDTH (KHz)	<input type="text" value="AUTO"/>
VAR VIDEO BW	Fully clockwise
VERT SCALE/DIV	<input type="text" value="10"/>
SIGNAL IN	On
A	On

3. Repeat paragraph 4-13 step 3 and verify that noise line is on 102 dB graticule mark. Set IF ATTEN (dB) control to 0.

4. Energize the internal calibration signal by pushing CALIBRATE and adjust TUNING control to center signal on display. If required, peak signal using SIGNAL center control.

**NOTES**

Small spurious signals may also appear on the display; however, this is normal when using the internal calibrate signal generator in band 1.

Refer to paragraph 3-11 for instructions on making this measurement.

Set the RF ATTEN (dB) control as follows for each frequency.

CENTER FREQUENCY (MHz)	RF ATTEN (dB)
1000	30
3000	10
5800	0
8900	0
16000	0

5. Adjust the IF ATTEN (dB) control to position the signal at a convenient reference; e.g., 0 or 10 dB line.

6. Turn off the internal calibrate signal generator by pushing calibrate switch and connect the external signal generator. Adjust its output for the same amplitude and frequency as observed in step 5.

7. Disconnect the signal generator and measure its output power with the power meter. Verify that this value is the same ( $\pm 1$  dB) as that on the operating instruction card.

8. Verify that the reference level readout on the CRT is within  $\pm 1$  dB of this value.

9. Repeat steps 4 through 7 for the following frequencies:

Band 2	3000 MHz
Band 3	5800 MHz
Band 4	8900 MHz
Band 5	16000 MHz

**4-15. SENSITIVITY.** The sensitivity is defined as the average level of the spectrum analyzer's internally generated noise with a 1 KHz IF bandwidth selected. The measurement is made using the reference level that was calibrated in paragraph 4-14.

Test Equipment Required

None

1. Set the front panel controls as follows:

RF RANGE (GHz)	.001 -2.0
FULL RANGE	OFF
IF ATTEN (dB)	0
RF ATTEN (dB)	0
TUNING	1000 MHz
SCAN MODE	<input type="text" value="AUTO"/>
SCAN WIDTH/DIV	<input type="text" value="10"/> 1 mHz
SCAN TIME/DIV	<input type="text" value="3"/> 1 s
IF BANDWIDTH (KHz)	1

*generator* / h

VAR VIDEO BW Fully clockwise  
 VERT SCALE/DIV 10  
 BYPASS On

SCAN WIDTH/DIV 1 MHz  
 SCAN TIME/DIV 30 msec  
 IF BANDWIDTH (KHz) 10

2. Record the power level of the noise trace by counting the number of divisions in dB below the reference level (0 dB graticule line). Algebraically add this number to the reference level as indicated on the alphanumeric readout of absolute power (REF LEVEL).

VAR VIDEO BW Fully clockwise  
 VERT SCALE/DIV 10  
 BYPASS On

Example:

If the reference level was -20 dBm and the noise trace is approximately at the 90 dB line, its absolute value is (-20 -90 = -110 dBm).

2. Adjust the IF ATTEN (dB) control so that the reference level is 0 dBm.

3. Change the RF RANGE (GHz) control and repeat this measurement for the following frequencies:

3. Terminate the RF INPUT connector with a 50Ω termination.

Band 2	3000 MHz
Band 3	5800 MHz
Band 4	8900 MHz
Band 5	16000 MHz

4. Slowly tune the spectrum analyzer through the entire frequency range and check that no spurious signals extend above the 90 dB graticule line.

**NOTE**

At 0 frequency, a large signal will be observed. This is normal and is not to be considered as a residual spur.

**4-16. RESIDUAL RESPONSES.** This test verifies that there are no internally generated signals that appear above the absolute power level of -90 dBm.

5. Repeat step 4 for frequency ranges 1.8 - 4.0 GHz and 3.3 - 8.3 GHz.

6. Set the IF BANDWIDTH (KHz) to 1. Repeat step 4 for the 5.4 - 12.4 GHz and 10 - 20 GHz ranges.

Test Equipment Required

Termination, 50 ohm      Omni Spectra  
 3001-6100-00

1. Set the front panel controls as follows:

RF RANGE (GHz) .001 - 2.0  
 FULL RANGE OFF  
 IF ATTEN (dB) 0  
 RF ATTEN (dB) 0  
 TUNING 0  
 SCAN MODE AUTO

**4-17. FREQUENCY ACCURACY.** Perform the following procedure:

Test Equipment Required

Comb Generator      AILTECH 70790  
 Frequency Meter      Hewlett Packard  
 536A, 537A, 532A

1. Set the front panel controls as follows:

RF RANGE (GHz) .001 - 2.0  
 FULL RANGE OFF  
 RF ATTEN (dB) 30

IF ATTEN (dB)	10
TUNING	100 MHz
SCAN MODE	<input type="text" value="AUTO"/>
SCAN WIDTH/DIV	<input type="text" value="10"/>
SCAN TIME/DIV	<input type="text" value="3"/>
IF BANDWIDTH (KHz)	<input type="text" value="AUTO"/>
VAR VIDEO BW	Fully clockwise
VERT SCALE/DIV	<input type="text" value="10"/>
SIGNAL IN	On
A	On
FREQ ADJ	Centered

2. Adjust the horizontal positioning control of the display (marked  $\longleftrightarrow$ ) such that the beginning of the trace coincides with the first vertical graticule line at the left edge of the display.

3. Connect the comb generator (item 6, Table 4-2) as shown in Figure 4-4.

4. Use the TUNING control and position the first comb line to the right of the spectrum analyzer's zero beat exactly at the center of the display. Record the number given by the CENTER FREQUENCY (MHz) readout.

5. Repeat step 4 centering the 10th comb line for a nominal 1000 MHz.

6. Repeat step 4 centering the 20th comb line for a nominal 2000 MHz.

7. Insert the frequency meter (item 11, Table 4-2) in the test set-up as shown in Figure 4-5.

8. Set the RF RANGE (GHz) control to 1.8 – 4.0 and the RF ATTEN (dB) control to 10.

**NOTE**

It is good practice to rotate the SCAN WIDTH/DIV control clockwise to 700 MHz and then counterclockwise to 10 MHz to eliminate any hysteresis that might have accumulated in the Yig components for each frequency measured.

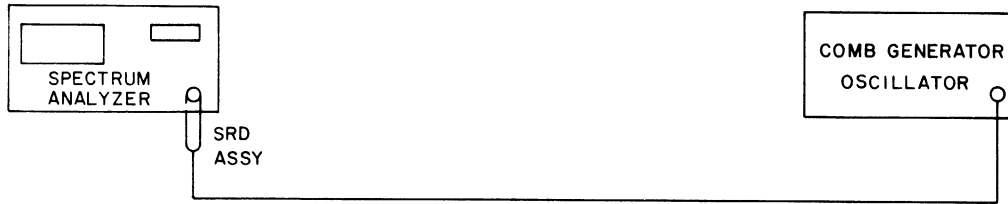


Figure 4-4. Frequency Accuracy with Comb Generator Test Set-Up

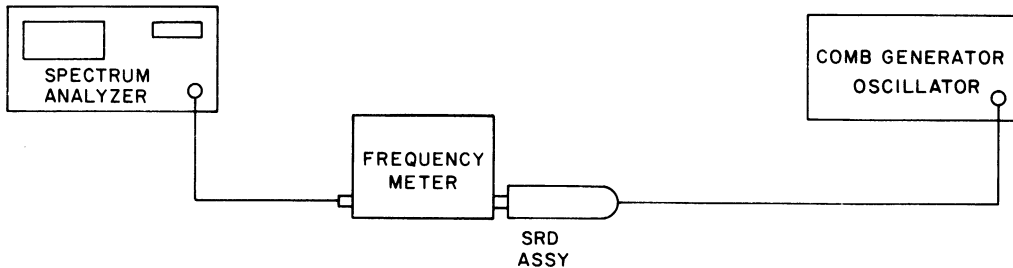


Figure 4-5. Frequency Accuracy with Frequency Meter Test Set-Up

9. Locate the 1800 MHz line with the frequency meter. Adjust the TUNING control to center this signal on the display and record the number of the CENTER FREQUENCY (MHz) readout.

**NOTE**

If the SCAN WIDTH/DIV control is changed to help locate this line, always rotate it fully clockwise to 700 MHz, then back to 10 MHz before making a frequency measurement.

10. Repeat step 9 for 3000 MHz and 4000 MHz.

11. Replace the frequency meter with (item 12, Table 4-2) and set the RF RANGE (GHz) control to 3.3 – 8.3.

12. Repeat steps 9 and 10 for 3300, 5800 and 8300 MHz.

13. Turn RF RANGE (GHz) to 5.4 – 12.4 and measure frequency at 5400, 8900 and 12400 MHz.

14. Turn RF RANGE (GHz) to 10 – 22. Measure frequency at 10 GHz. Set RF ATTEN (dB) control to 0 position.

15. Substitute frequency meter (item 13, Table 4-2). Measure frequency at 16 and 20 GHz.

**NOTE**

The amplitude of the harmonic signals is low at the high end of Band 5. Therefore, a measurement of 22 GHz will, in most cases, be impractical. An increase in signal-to-noise ratio of 10 dB can be obtained by setting the SCAN WIDTH/DIV control to the 3 MHz position.

**4-18. SCAN WIDTH ACCURACY.** This test is divided into two measurement techniques. The wide dispersions, 100 MHz and above are checked with a comb generator. The narrower dispersions are checked with a frequency synthesizer.

Test Equipment Required

Frequency Synthesizer	AILTECH 360
Swept Signal Generator	AILTECH 6600/ 9514D/9515D

1. Connect the test equipment as shown in Figure 4-6 using the swept generator.

2. Set the front panel controls as follows:

RF RANGE (GHz)	5.4 – 12.4
FULL RANGE	OFF
RF ATTEN (dB)	<b>10</b>
IF ATTEN (dB)	10
TUNING	8900 MHz
SCAN MODE	<b>AUTO</b>
SCAN WIDTH/DIV	100 MHz
SCAN TIME/DIV	10 msec
IF BANDWIDTH (KHz)	<b>AUTO</b>
VAR VIDEO BW	Fully clockwise
VERT SCALE/DIV	<b>10</b>
SIGNAL IN	On
A	On

3. Adjust the sweep generator for cw operation. Set the output for 8900 MHz at 0 dBm.

4. Adjust the front panel TUNING control as required to align the signal with the left most vertical graticule line. Note the CENTER FREQUENCY (MHz) readout.

5. Readjust the TUNING control until the signal is aligned with the right most vertical graticule line. Note the CENTER FREQUENCY (MHz) readout.

6. Subtract the frequency reading obtained in step 5 from that in step 4 and record the difference.

7. Set the SCAN WIDTH/DIV control to 200 MHz position and repeat steps 4, 5 and 6.

8. Set the SCAN WIDTH/DIV control to 500 MHz position and repeat steps 4, 5 and 6.

9. Set the SCAN WIDTH/DIV control to 700 MHz position and repeat steps 4, 5 and 6.

10. Connect the test equipment as shown in Figure 4-6 using the frequency synthesizer.

11. Reset the following front panel controls as follows:

RF RANGE (GHz)	.001 – 2.0
SCAN WIDTH/DIV	30 MHz
TUNING	1000 MHz

12. Adjust the frequency synthesizer for an output signal of -30 dBm at 1000 MHz.

13. Adjust the TUNING control to align the signal with the center vertical graticule line.

14. Change the frequency of the frequency synthesizer in order to align the signal with the

rightmost graticule line. Note the frequency reading of the synthesizer.

15. Again change the frequency of the synthesizer in order to align the signal with the left most graticule line. Note the frequency reading of the synthesizer.

16. Subtract the frequency reading in step 15 from that in step 14 and record the difference.

17. Repeat steps 14, 15 and 16 for each SCAN WIDTH/DIV in Table 4-3.

**4-19. FREQUENCY RESPONSE.** This test is divided into three frequency areas. The first covers the frequency range from .001 to 100 MHz; the second from 100 MHz to 18 GHz; the third from 18 – 22 GHz.

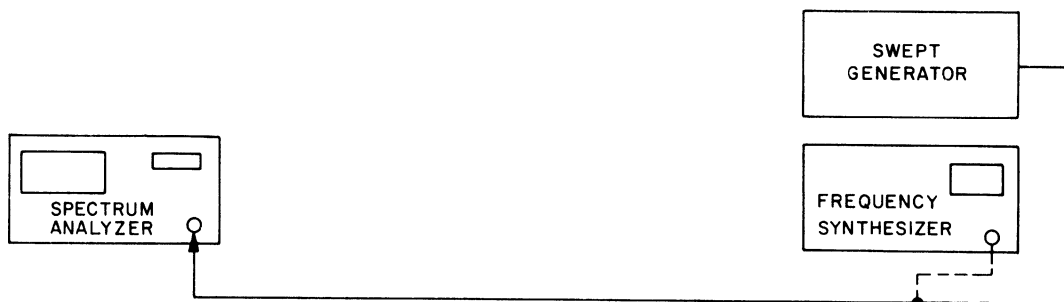


Figure 4-6. Scan Width Accuracy Test Set-Up

Table 4-3. Scan Width Accuracy Test

Scan Width/Div	Low Freq	HI Freq	$\Delta$ Freq. = Synthesizer Reading – HI Freq.
30 MHz	850 MHz	1150 MHz	Record
10 MHz	950 MHz	1050 MHz	Record
3 MHz	985 MHz	1051 MHz	Record
1 MHz	995 MHz	1005 MHz	Record
300 kHz	998.5 MHz	1001.5 MHz	Record
100 kHz	999.5 MHz	1000.5 MHz	Record
30 kHz	999.85 MHz	1000.15 MHz	Record
10 kHz	999.95 MHz	1000.05 MHz	Record
3 kHz	999.985 MHz	1000.015 MHz	Record
1 kHz	999.995 MHz	1000.005 MHz	Record

Test Equipment Required

Sweep Generator	Wavetek 2000
Sweep Generator	AILTECH 6600/ 9514D/9515D
Sweep Generator	Hewlett Packard 8690/8696A
Power Meter	Boonton 42B/41-4E

1. Connect the test equipment as shown in Figure 4-7.

2. Set the front panel controls of the analyzer as follows:

RF RANGE (GHz)	.001 – 2.0
FULL RANGE	OFF
RF ATTEN (dB)	10
IF ATTEN (dB)	0
TUNING	50 MHz
SCAN MODE	<b>AUTO</b>
SCAN WIDTH/DIV	<b>10</b>
SCAN TIME/DIV	10 msec
IF BANDWIDTH (KHz)	100
VAR VIDEO BW	Fully clockwise
VERT SCALE/DIV	2 LOG
EXPAND	REF
SIGNAL IN	On
A	On

3. Set the sweep generator (item 3, Table 4-2— for an output power level of -20 dBm at 50 MHz. (Use -50 dBm if the unit is equipped with a 001 option.)

4. Adjust IF ATTEN (dB) control for a convenient reference level, (i.e., 50 dB), on the display.

5. Manually sweep the generator through the range of 1 to 100 MHz and find the maximum on screen display of the signal after assuring that its power level remains constant by first monitoring with the power meter. Depress the HOLD pushbutton at the maximum point.

6. Depress B VIEW A pushbutton and again manually sweep the generator through the range of 1 to 100 MHz. Find the minimum on screen display of the signal. Depress SAVE and RECALL pushbuttons.

7. The display now shows two signals representing the maximum and minimum points on the frequency response curve. Record the difference between the two signals.

8. Replace the signal generator, item 3, Table 4-2, with signal generator, item 2, Table 4-2, and reset the front panel controls as follows:

TUNING	1000
SCAN WIDTH/DIV	200 MHz
IF BANDWIDTH (KHz)	<b>AUTO</b>
SIGNAL IN	On
A	On

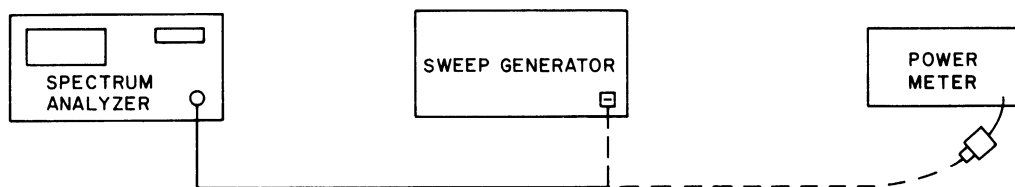


Figure 4-7. Frequency Response Test Set-Up



9. Repeat steps 3 through 7 setting the power level at 1000 MHz and the sweep range 100 to 2000 MHz. Record the difference between signal amplitudes. Set the power level at -20 dBm.

10. Repeat the above steps per Table 4-4.

**NOTE**

In order to ensure that preselector is peaked it may be necessary to adjust SIGNAL CENTER control during scan.

11. Replace the swept signal generator item 2, Table 4-2 with item 4, Table 4-2.

12. Set sweep generator output signal for -10 dBm at 18 GHz to complete Band 5.

**4-20. IF BANDWIDTH ACCURACY.** To calibrate the accuracy of the IF Bandwidth, proceed as follows:

Test Equipment Required

None

1. Set the front panel controls as follows:

RF RANGE (GHz)	1.8 – 4.0
FULL RANGE	OFF
RF ATTEN (dB)	10
(If Equipped with 001 Option)	30

IF ATTEN (dB)	10
TUNING	3000 MHz
SCAN MODE	AUTO
SCAN WIDTH/DIV	1 MHz
SCAN TIME/DIV	10 msec
IF BANDWIDTH (KHz)	1000
VAR VIDEO BW	Fully clockwise
VERT SCALE/DIV	2 LOG
EXPAND	REF
SIGNAL IN	On
A	On

2. Depress CALIBRATE pushbutton to energize the internal calibrate signal generator and position signal at the center of the display.

3. Adjust IF ATTEN (dB) control to position top of signal at a convenient reference (i.e., 35 dB graticule level).

4. Observe the width of the signal 1 and 1/2 major divisions below the top (e.g., the center graticule one for above reference). Record the width.

Table 4-4. Frequency Response Tests

RF RANGE (GHz)	TUNING (MHz)	SCAN WIDTH/DIV
1.8 – 4.0	2800/3000	500 MHz
3.3 – 8.3	5800	500 MHz
5.4 – 12.4	8900	700 MHz
10 – 18	13500/14500	700 MHz
18 – 22	20000	700 MHz

5. Set SCAN WIDTH/DIV to 100 KHz, set IF BANDWIDTH (KHz) to 100 and adjust TUNING control as required to center signal.
6. Repeat steps 4 and 5.
7. Set SCAN WIDTH/DIV to 10 KHz, set IF BANDWIDTH (KHz) to 10 and adjust TUNING control as required to center signal.
8. Repeat steps 4 and 5.
9. Set SCAN WIDTH/DIV to 1 KHz, set IF BANDWIDTH (KHz) to 1 and adjust TUNING control as required to center signal.
10. Repeat steps 4 and 5.

IF ATTEN (dB)	50
TUNING	3000 MHz
SCAN MODE	<input type="text" value="AUTO"/>
SCAN WIDTH/DIV	<input type="text" value="10"/>
SCAN TIME/DIV	<input type="text" value="3"/>
IF BANDWIDTH (KHz)	<input type="text" value="AUTO"/>
VAR VIDEO BW	Fully clockwise
VERT SCALE/DIV	5 LOG
SIGNAL IN	On
A	On

**4-21. SCAN TIME ACCURACY.** To calibrate the accuracy of the scan time, proceed as follows:

Test Equipment Required

Signal Generator	AILTECH 6600/ 9514D/9515D
Function Generator	Wavetech 180
Counter	Systron Donner 6150 (dc)

1. Connect the test equipment as shown in Figure 4-8.
2. Set the front panel controls as follows:

RF RANGE (GHz)	1.8 – 4.0
FULL RANGE	OFF
RF ATTEN (dB)	30

3. Set the signal generator for a continuous wave signal at 3000 MHz with a power level of 0 dBm.

4. Position the signal at the center of the display using the TUNING control. Set DOMAIN to the TIME position and observe that a horizontal line appears on the display at the same amplitude as the peak of the signal in the frequency mode. If it does not, adjust the TUNING control to peak the response. Set SCAN TIME/DIV to 0.01 msec position.

5. Adjust the function generator for a sinusoidal output signal of approximately 100,000 Hz. Adjust the amplitude until the horizontal line on the display becomes a distorted sinusoid of approximately 3 main divisions peak to peak.

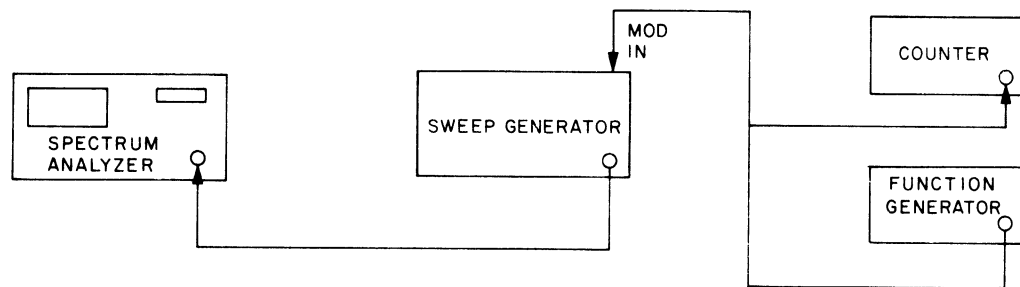


Figure 4-8. Scan Time Accuracy Test Set-Up

**NOTE**

The distortion results from the logging action of the display.

6. Set the SCAN MODE to VIDEO and adjust VIDEO TRIGGER control to synchronize the display. Adjust the horizontal position control of the display ( $\longleftrightarrow$ ), to set the first modulation peak on the left-most graticule line.

7. Adjust the frequency of the function generator until the 11th modulation peak is positioned on the right-most graticule line.

**NOTE**

Steps 6 and 7 interact and some readjustments may be required to satisfy both requirements. Record the inverse of the frequency, (1/f), as measured by the counter.

8. Repeat steps 5, 6, and 7 to verify the remaining scan times using the settings given in Table 4-5.

**4-22. NOISE SIDEBAND TEST.** To perform the noise sideband tests, proceed as follows:

Test Equipment Required

None

1. Set the front panel controls as follows:

RF RANGE (GHz) 1.8 – 4.0

FULL RANGE OFF

RF ATTEN (dB) 0

IF ATTEN (dB) 10

TUNING 3000 MHz

SCAN MODE

SCAN WIDTH/DIV

SCAN TIME/DIV

IF BANDWIDTH (KHz)

Table 4-5. Scan Time Accuracy Test

Scan Time/Div Control Setting	Function Generator Nominal Frequency
.1 msec	10,000 Hz
1 msec	1,000 Hz
3 msec	333.3 Hz
10 msec	100 Hz
30 msec	33.3 Hz
100 msec	10 Hz
300 msec	3.3 Hz
1 sec	1 Hz
3 sec	.33 Hz
10 sec	.1 Hz

VAR VIDEO BW Fully clockwise  
 VERT SCALE/DIV 10  
 SIGNAL IN On  
 A On

IF ATTEN (dB) 60  
 TUNING 3000 MHz  
 SCAN MODE AUTO  
 SCAN WIDTH/DIV 10  
 SCAN TIME/DIV 10 msec  
 IF BANDWIDTH (KHz) 1  
 VAR VIDEO BW Fully clockwise  
 VERT SCALE/DIV 2 LOG  
 SIGNAL IN On  
 A On

2. Depress the CALIBRATE pushbutton to energize the internal calibrate signal generator.

3. Set the SCAN WIDTH/DIV to 10 KHz making adjustments with the TUNING control to keep the signal centered.

4. Set the IF BANDWIDTH (KHz) to 1 and the VAR VIDEO BW control sufficiently counter-clockwise to smooth the trace. Set the SCAN TIME/DIV until the signal's amplitude is restored.

5. Record the level of the noise below the signal three major divisions (30 kHz) away.

6. Set the SCAN WIDTH/DIV to 30 KHz and record the level of the noise below the signal 90 kHz away.

7. Set the SCAN WIDTH/DIV to 100 kHz and IF BANDWIDTH (KHz) to 10 and record the level of the noise below the signal 300 kHz away.

8. Set the SCAN WIDTH/DIV to 300 kHz and record the level of the noise 1 MHz away.

**4-23. RESIDUAL FM.** This test uses the linear slope of the 1 kHz IF filter in the spectrum analyzer to convert an amplitude displacement to a frequency deviation.

Test Equipment Required

None

1. Set the front panel controls as follows:

RF RANGE (GHz) 1.8 – 4.0  
 FULL RANGE OFF  
 RF ATTEN (dB) 10

2. Depress the CALIBRATE pushbutton to energize the internal calibrate signal generator.

3. Gradually step the SCAN WIDTH/DIV control to the 1 KHz position. Use the TUNING control to keep the signal at the center of the screen.

**NOTE**

Adjust SIGNAL CENTER control for peak signal.

4. Choose either side of the IF filter trace and adjust the IF ATTEN (dB) control to obtain a linear slope of 10 vertical divisions at 1 kHz. (See Figure 4-9). Use only the linear portion of the waveform.

5. Calculate the detection sensitivity (or inverse slope of waveform) by dividing the horizontal displacement in Hz by the amplitude displacement in divisions, e.g., in trace shown in Figure 4-9.

$$\frac{800 \text{ Hz}}{10 \text{ DIV}} = 80 \text{ Hz/DIV}$$

6. Set the SCAN TIME/DIV to the 10 msec position and DOMAIN control to TIME position.

7. Adjust the TUNING control until the horizontal scan is at the 50 dB graticule line. Set SCAN MODE to SINGLE position and press PUSH SINGLE concentric control. A typical resultant waveform is shown in Figure 4-10. The amount of peak-to-peak amplitude variation is the residual FM and should be less than 200 Hz. For example in step 5, this would be 2 1/2 divisions. (For 100/300 Hz Filter Option refer to paragraph A-2 in Appendix A.)

**4-24. SCAN MODE AND REAR PANEL CHECK.**

To perform the scan mode and rear panel check, proceed as follows:

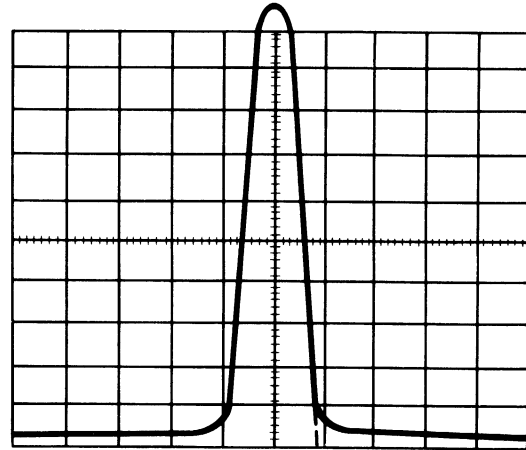


Figure 4-9. Residual FM Test Waveform

Test Equipment Required

Function Generator	Wavetek 180
Oscilloscope	Tektronix 475A

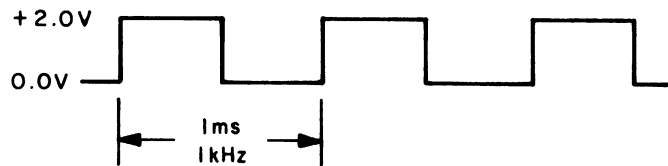
CALIBRATE	On
BYPASS	On

1. Set the front panel switches and controls to the following settings.

RF RANGE (GHz)	1.8 – 4.0
RF ATTEN (dB)	0
IF ATTEN (dB)	10
SCAN TIME/DIV	<input type="text" value="3"/>
SCAN WIDTH/DIV	30
IF BANDWIDTH (KHz)	<input type="text" value="AUTO"/>
SCAN MODE	EXT TRIG

2. Set the function generator for the following conditions.

Pulse rate from function generator.	
Rep Rate	1 kHz squarewave
Amplitude	2 volts positive
Dc Offset	0 volts



PEAK TO PEAK  
AMPLITUDE  
VARIATION

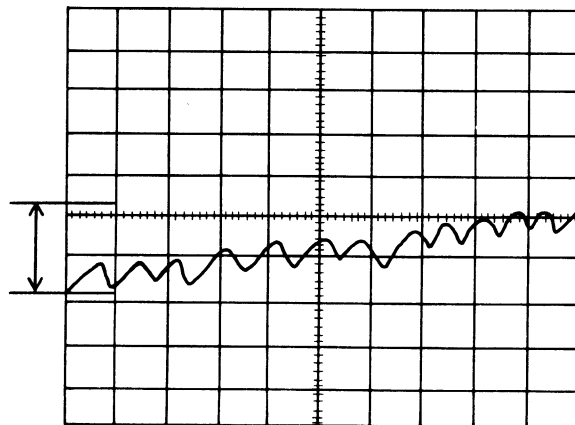


Figure 4-10. Residual FM Typical Waveform

3. Connect the output of the function generator to the EXT TRIG input connector J3 on rear panel 1A3 of the 757 Spectrum Analyzer. Three comb lines should appear on the CRT display at this time.

4. Move the cable from EXT TRIG connector J3 to EXT SWEEP connector J2. Set the SCAN MODE switch to EXT SWEEP position. Two lines should be present on the display.

5. Move the cable from EXT SWEEP connector J2 to EXT BLANK connector J1 on rear panel 1A3 of the Spectrum Analyzer and the SCAN MODE switch to the **AUTO** position. There should be three broken comb line signals on the display.

6. Connect the input of an oscilloscope to the OUTPUT BLANK connector J4 on rear panel 1A3. A pulse of approximately 3 volts in amplitude should be present.

7. Connect the VIDEO OUTPUT connector J6 on rear panel 1A3 to the oscilloscope. With the SCAN MODE switch in the **AUTO** position, three comb lines should be present on the oscilloscope. Move the IF ATTEN (dB) control to 40 position and observe that the signal displayed on the oscilloscope reduces in amplitude.

8. Move the cable from VIDEO OUTPUT connector J6 on rear panel 1A3 to SWEEP OUTPUT connector J5. Observe that a sawtooth waveform with an amplitude of approximately 6 volts appears on the oscilloscope.

Data Sheet

757 Spectrum Analyzer Serial Number 3336 (0711-148485)

Date 1-6-87

Operator G Jut Oosten

Test No. Incomming check

Temp 21°C

RH 46%

Paragraph No.	Function Tested	Nominal Value	Measured Value	Performance Limits
4-11	RF Attenuator	0 - 10 dB	<u>11</u>	9 to 11 dB
		10 - 20 dB	<u>10</u>	9 to 11 dB
		20 - 30 dB	<u>10.1</u>	9 to 11 dB
		30 - 40 dB	<u>10</u>	9 to 11 dB
		40 - 50 dB	<u>10</u>	9 to 11 dB
		50 - 60 dB	<u>10.2</u>	9 to 11 dB
		Cum	0 - 60 dB	<u>61.4</u>
4-12	IF Attenuator	0 - 1 dB	<u>1.0</u>	0.8 to 1.2 dB
		1 - 2 dB	<u>1.0</u>	0.8 to 1.2 dB
		2 - 3 dB	<u>1.0</u>	0.8 to 1.2 dB
		3 - 4 dB	<u>1.1</u>	0.8 to 1.2 dB
		4 - 5 dB	<u>1.0</u>	0.8 to 1.2 dB
		5 - 6 dB	<u>1.0</u>	0.8 to 1.2 dB
		6 - 7 dB	<u>1.0</u>	0.8 to 1.2 dB
		7 - 8 dB	<u>1.0</u>	0.8 to 1.2 dB
		8 - 9 dB	<u>1.0</u>	0.8 to 1.2 dB
		9 - 10 dB	<u>1.0</u>	0.8 to 1.2 dB
		Cum	0 - 10 dB	<u>10.0</u>

Data Sheet

757 Spectrum Analyzer Serial Number 3336

Paragraph No.	Function Tested	Nominal Value	Measured Value	Performance Limits	
4-12 (Cont)	IF Attenuator (Cont)	10 - 20 dB	10 dB	<u>10.1</u>	9.75 to 10.25 dB
		20 - 30 dB	10 dB	<u>10.0</u>	9.75 to 10.25 dB
		30 - 40 dB	10 dB	<u>10.0</u>	9.75 to 10.25 dB
		40 - 50 dB	10 dB	<u>9.9</u>	9.75 to 10.25 dB
		50 - 60 dB	10 dB	<u>10.0</u>	9.75 to 10.25 dB
		60 - 70 dB	10 dB	<u>9.9</u>	9.75 to 10.25 dB
		70 - 80 dB	10 dB	<u>10.0</u>	9.75 to 10.25 dB
		80 - 90 dB	10 dB	<u>10.0</u>	9.75 to 10.25 dB
		90 - 100 dB	10 dB	<u>10.1</u>	9.75 to 10.25 dB
			Cum	0 - 100 dB	100 dB
4-13	Display Accuracy	0 - 10 dB	10 dB	<u>10</u>	8 to 12 dB
		10 - 20 dB	10 dB	<u>11</u>	8 to 12 dB
		20 - 30 dB	10 dB	<u>10</u>	8 to 12 dB
		30 - 40 dB	10 dB	<u>11</u>	8 to 12 dB
		40 - 50 dB	10 dB	<u>10</u>	8 to 12 dB
		50 - 60 dB	10 dB	<u>10</u>	8 to 12 dB
		60 - 70 dB	10 dB	<u>10</u>	8 to 12 dB
		70 - 80 dB	10 dB	<u>9</u>	8 to 12 dB
		80 - 90 dB	10 dB	<u>10</u>	8 to 12 dB
			Cum	0 - 90 dB	90 dB



Data Sheet

757 Spectrum Analyzer Serial Number 3336

Paragraph No.	Function Tested	Nominal Value	Measured Value	Performance Limits
4-14	Reference Level	-30 dBm	<u>X</u>	-29 to -31 dBm
	Calibration Signal Level	See Calibration Chart on Operating Instructions Card		
	1000 MHz		<u>-0.04</u>	±1 dB
	3000 MHz		<u>+0.25</u>	±1 dB
	5800 MHz		<u>+1.0</u>	±1 dB
	8900 MHz		<u>+0.47</u>	±1 dB
	16000 MHz		<u>+0.84</u>	±1 dB
4-15	Sensitivity			
	Band 1	-105 dBm	<u>&lt;-115</u>	-115 to -105 dBm
	Band 2	-110 dBm	<u>&lt;-120</u>	-120 to -110 dBm
	Band 3	-105 dBm	<u>&lt;-120</u>	-115 to -105 dBm
	Band 4	-100 dBm	<u>&lt;-110</u>	-110 to -100 dBm
	Band 5	-90 dBm	<u>&lt;-105</u>	-100 to -90 dBm
4-16	Residual Responses			
	Band 1	-90 dBm	<u>&lt;-110</u>	-115 to -90 dBm
	Band 2	-90 dBm	<u>&lt;-110</u>	-120 to -90 dBm
	Band 3	-90 dBm	<u>&lt;-100</u>	-115 to -90 dBm
	Band 4	-90 dBm	<u>&lt;-100</u>	-110 to -90 dBm
	Band 5	-90 dBm	<u>&lt;-95</u>	-100 to -90 dBm

Data Sheet

757 Spectrum Analyzer Serial Number 3336

Paragraph No.	Function Tested	Nominal Value	Measured Value	Performance Limits		
4-17	Frequency Accuracy	Band 1 LO	100 MHz	<u>96</u>	94 - 106 MHz	
			MID	1000 MHz	<u>1000</u>	994 - 1006 MHz
			HI	2000 MHz	<u>2005</u>	1992 - 2008 MHz
		Band 2 LO	1800 MHz	<u>1798</u>	1796 - 1804 MHz	
			MID	3000 MHz	<u>3000</u>	2994 - 3006 MHz
			HI	4000 MHz	<u>4007</u>	3992 - 4008 MHz
		Band 3 LO	3300 MHz	<u>3295</u>	3293 - 3307 MHz	
			MID	5800 MHz	<u>5800</u>	5788 - 5812 MHz
			HI	8300 MHz	<u>8317</u>	8283 - 8317 MHz
		Band 4 LO	5400 MHz	<u>5400</u>	5389 - 5411 MHz	
			MID	8900 MHz	<u>8905</u>	8882 - 8918 MHz
			HI	12400 MHz	<u>12420</u>	12375 - 12425 MHz
		Band 5 LO	10000 MHz	<u>10006</u>	9980 - 10020 MHz	
			MID	16000 MHz	<u>16017</u>	15968 - 16032 MHz
			HI	20000 MHz	<u>-</u>	19960 - 30040 MHz
4-18	Scan Width Accuracy	1000 MHz (100 MHz/Div)	<u>-15</u>	±100 MHz		
		2000 MHz (200 MHz/Div)	<u>-9</u>	±200 MHz		

Data Sheet

757 Spectrum Analyzer Serial Number 3336

Paragraph No.	Function Tested	Nominal Value	Measured Value	Performance Limits
4-18 (Cont)	Scan Width Accuracy (Cont)	5000 MHz (500 MHz/Div)	<u>-31 MHz</u>	±500 MHz
		7000 MHz (700 MHz/Div)	<u>-65</u>	±700 MHz
		300 MHz (30 MHz/Div)	<u>+3</u>	±30 MHz
		100 MHz (10 MHz/Div)	<u>0</u>	±10 MHz
		30 MHz (3 MHz/Div)	<u>+1</u>	±3 MHz
		10 MHz (1 MHz/Div)	<u>+0.2</u>	±1 MHz
		3000 kHz (300 kHz/Div)	<u>-30 kHz</u>	±300 kHz
		1000 kHz (100 kHz/Div)	<u>0</u>	±100 kHz
		300 kHz (30 kHz/Div)	<u>0</u>	±30 kHz
		100 kHz (10 kHz/Div)	<u>+2</u>	±10 kHz
		30 kHz (3 kHz/Div)	<u>0</u>	±3 kHz
		10 kHz (1 kHz/Div)	<u>-</u>	±1 kHz
4-19	Frequency Response			
		Band 1 <del>41</del> - 100 MHz	2 dB peak to peak	<u>&lt; 1 dB</u>
	100 - 2000 MHz	2 dB peak to peak	<u>&lt; 3</u>	3 dB peak to peak

Data Sheet

757 Spectrum Analyzer Serial Number 3336

Paragraph No.	Function Tested	Nominal Value	Measured Value	Performance Limits
4-19 (Cont)	Frequency Response (Cont)			
	Band 2 1.8 - 4.0 GHz	3 dB peak to peak	<u>2.4 dB</u>	4 dB peak to peak
	Band 3 3.3 - 8.3 GHz	4 dB peak to peak	<u>4.5 "</u>	5 dB peak to peak
	Band 4 5.4 - 12.4 GHz	5 dB peak to peak	<u>5 "</u>	5 dB peak to peak
	Band 5 10 - 18 GHz	6 dB peak to peak	<u>6 "</u>	6 dB peak to peak
	18 - 22 GHz	6 dB peak to peak	<u>—</u>	6 dB peak to peak
4-20	IF Bandwidth Accuracy	1500 kHz	<u>—</u>	1200 to 1800 kHz
	Units with serial numbers above 700	1000 kHz	<u>900</u>	850 to 1150 kHz
		100 kHz	<u>95</u>	90 to 110 kHz
		10 kHz	<u>10</u>	9 to 11 kHz
		1.3 kHz	<u>1.4</u>	1 to 1.6 kHz
4-21	Scan Time Accuracy $\pm 10\%$	0.01 msec	<u>+1.3</u>	0.009 to 0.011 msec
		0.01 msec	<u>+0.3</u>	0.09 - 0.11 msec
		1 msec	<u>+3.3</u>	0.9 to 1.1 msec
		3 msec	<u>+5.2</u>	2.7 to 3.3 msec
		10 msec	<u>-3.4</u>	9 to 11 msec
		30 msec	<u>-0.5</u>	27 to 33 msec
		100 msec	<u>+0.2</u>	90 to 110 msec
		300 msec	<u>+0.2</u>	270 to 330 msec
		1 sec	<u>+4.1</u>	0.8 to 1.2 sec
		3 sec	<u>+3.4</u>	2.4 to 3.6 sec
	10 sec	<u>+5.0</u>	8 to 12 sec	

Data Sheet

757 Spectrum Analyzer Serial Number 3336

Paragraph No.	Function Tested	Nominal Value	Measured Value	Performance Limits
4-22	Noise Sideband			
	30 kHz Separation	75 dB down	<u>770</u>	>70 dB down
	90 kHz Separation	85 dB down	<u>780</u>	>80 dB down
	300 kHz Separation	95 dB down	<u>790</u>	>90 dB down
	1000 kHz Separation	100 dB down	<u>795</u>	>95 dB down
4-23	Residual FM	100 Hz	<u>&lt;150</u>	<200 Hz

SECTION 5

FUNCTIONAL DESCRIPTION

5-1. INTRODUCTION

5-2. This section contains a functional description of the AILTECH 757 Spectrum Analyzer. The functional description consists of a simplified block diagram description, a detailed block diagram description, and a description of signals.

5-3. OVERALL BLOCK DIAGRAM DESCRIPTION

5-4. The AILTECH 757 Spectrum Analyzer consists of a superheterodyne receiver and a calibrated CRT display (see Figure 5-1). The receiver can be manually tuned to a fixed frequency or swept through a selected frequency interval.

5-5. RF SECTION. The RF input signal is first processed through the RF attenuator. The RF attenuator provides 60 dB of attenuation in 10 dB steps. It is used to reduce signal levels so that spurious signal generation within the Spectrum Analyzer is minimized. The signal at the output of

the RF attenuator should not exceed -10 dBm. For maximum sensitivity the RF attenuator should be set to the 0 dB position. Immediately following the RF attenuator is a series of RF switches. If the low band, 1 MHz to 2 GHz is selected, the signal is mixed by the low band mixer with the output of the Yig oscillator phase and is converted to 2287 MHz. The Yig Preselector is fixed-tuned to this frequency in the low frequency band. Therefore, in order to derive an IF of 227 MHz the signal must be mixed with 2060 MHz. If any other RF range is selected, the input signal will be applied directly into the Yig preselector and will be mixed with the output of the swept Yig oscillator by the high-band harmonic mixer.

5-6. SWEEP GENERATOR. The sweep generator provides a horizontal deflection signal for the CRT and the tuning voltages for the Yig oscillator and Yig preselector. The inherent linearity of the Yig preselector and Yig oscillator ensure that the frequency tuning is linear with respect to horizontal deflection on the CRT. This same linearity also

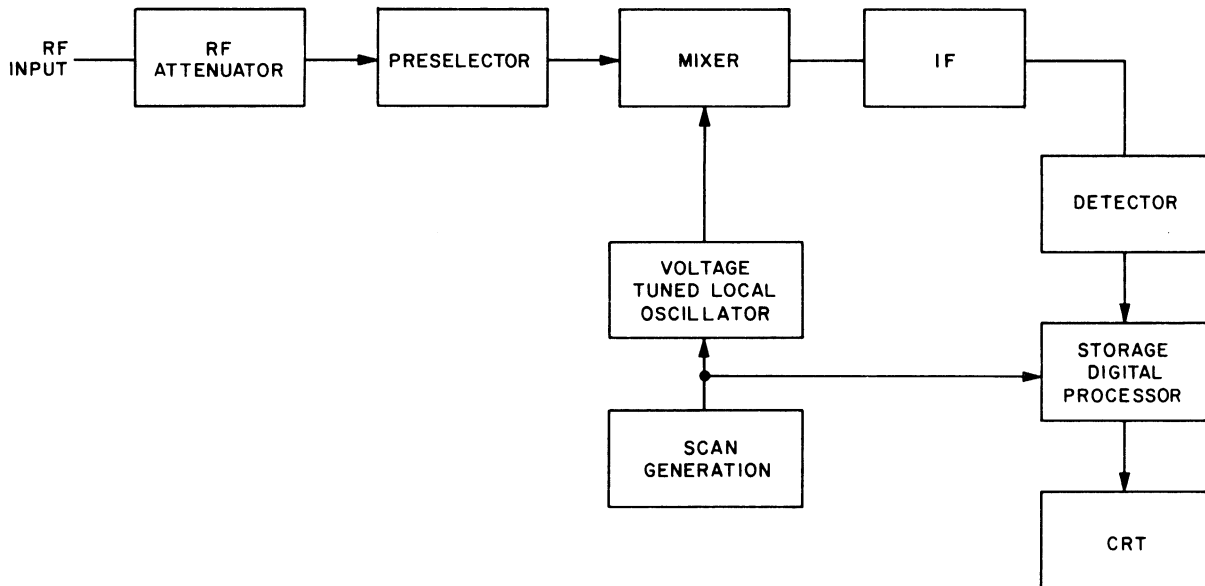


Figure 5-1. AILTECH 757 Spectrum Analyzer Simplified Block Diagram

ensures that the Yig preselector frequency is maintained at a fixed interval from the Yig oscillator frequency. The fixed interval is 227 MHz, the first IF. When the signal is passed through the Yig preselector, it is mixed with the output of the 248 MHz LCVCO oscillator by the second mixer to provide an output of 21.4 MHz at the intermediate frequency. The signal is then amplified, detected, and applied to the vertical deflection plates of the CRT. Since the horizontal deflection is proportional to frequency, the display is a plot of amplitude versus frequency of the applied incoming signal.

**5-7. YIG PRESELECTOR.** The Yig preselector is a three-sphere Yig filter capable of being electronically tuned from 1.8 GHz to in excess of 22 GHz. Offset and sweep logic circuits ensure that the center frequency of the Yig oscillator is always 227 MHz greater than the frequency of the Yig preselector.

5-8. The purpose of the Yig preselector is to prevent the generation of on-screen image signals without having to resort to microwave intermediate frequencies or to a large number of narrow bands.

**5-9. YIG OSCILLATOR.** The Yig oscillator is capable of being tuned electronically from 1.75 to 4.5 GHz. When the SCAN WIDTH/DIV switch is set in the MHz position, the local oscillator is swept over the selected scan width. When the SCAN WIDTH/DIV switch is in the kHz position, the oscillator is automatically stabilized and operates at a fixed frequency. Scanning is then performed by the 248 MHz LCVCO oscillator. After a down conversion, the signal is amplified and applied to the second mixer. This mixer is driven by the 248 MHz LCVCO oscillator and provides an output of 21.4 MHz for the signal processor. When the SCAN WIDTH/DIV switch is in the MHz position, the 248 MHz oscillator operates at a fixed frequency.

**5-10. SIGNAL PROCESSOR.** The signal processor consists of an IF processor, IF filters, and an IF attenuator. The IF attenuator is used to adjust the amplitude of the display and consists of two sections; one providing 100 dB in 10 dB steps and the other providing 10 dB in 1 dB steps. Four standard IF bandwidths are provided. These are determined by the four sets of filter banks which are selectable from the front panel. The AILTECH 757 Spectrum Analyzer utilizes harmonic mixing to obtain operation at higher RF frequency ranges (3.3 to 22 GHz). The automatic gain compensation senses the RF

range of the Analyzer and inserts or removes attenuation as required in order to maintain a constant gain versus frequency.

5-11. Signal amplitudes are usually measured in logarithmic units. Because of this, the final IF amplification is provided by a wide range 21.4 MHz log amplifier. This amplifier employs the successive limiting technique and converts linear IF to logarithmic video. The conversion is such that the amplifier response is within  $\pm 2$  dB over the full 100 dB dynamic range of the instrument. If the amplitude range switch on the front panel is set to one of the log positions, the output of the 21.4 MHz IF log amplifier is applied directly to the video amplifier. However, some measurements are more convenient with a linear type display. If the amplitude range switch were placed in the linear position, the signal would be passed through a linear shaping amplifier that restores linear amplitude to the response. Additional filtering is provided in the video amplifier. The signals can then be further amplified before being applied to the vertical deflection plates of the CRT.

#### **5-12. DETAILED BLOCK DIAGRAM DESCRIPTION**

**5-13. RF SECTION.** (See Figure 5-2.) When RF signal is applied to the precision RF INPUT cable J6, it is either processed or not, depending on the position of RF switch 1A2A18.

5-14. RF Switch 1A2A18 is activated by depressing the CALIBRATE button on the front panel. The RF switch moves to the open position and the 100 MHz Oscillator 1A10A5A4 is turned on. The oscillator supplies the fundamental frequency drive for Comb Generator 1A9. The output of Comb Generator 1A9 is all the 100 MHz multiples from 100 MHz to in excess of 22 GHz. These signals pass through a 10 dB Attenuator 1A7, which is used for matching and isolating, and into RF Switch 1A2A18. When the switch is in the closed position, the RF input, as opposed to the internal calibrate signal, will be processed into the 60 dB RF Step Attenuator 1A2A14.

5-15. RF Step Attenuator 1A2A14 is adjusted from the front panel in 10 dB increments from 0 to 60 dB. The RF attenuator reduces the amplitude of the incoming signal, preventing damage to any of the analyzer's components.

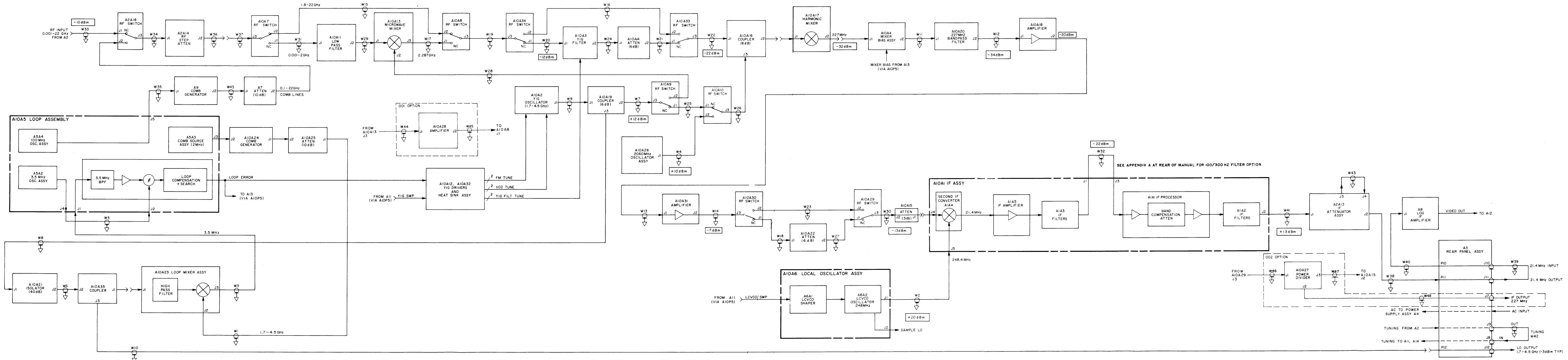


Figure 5-2. AILTECH 757 Spectrum Analyzer Detailed Block Diagram (Sheet 1 of 2)



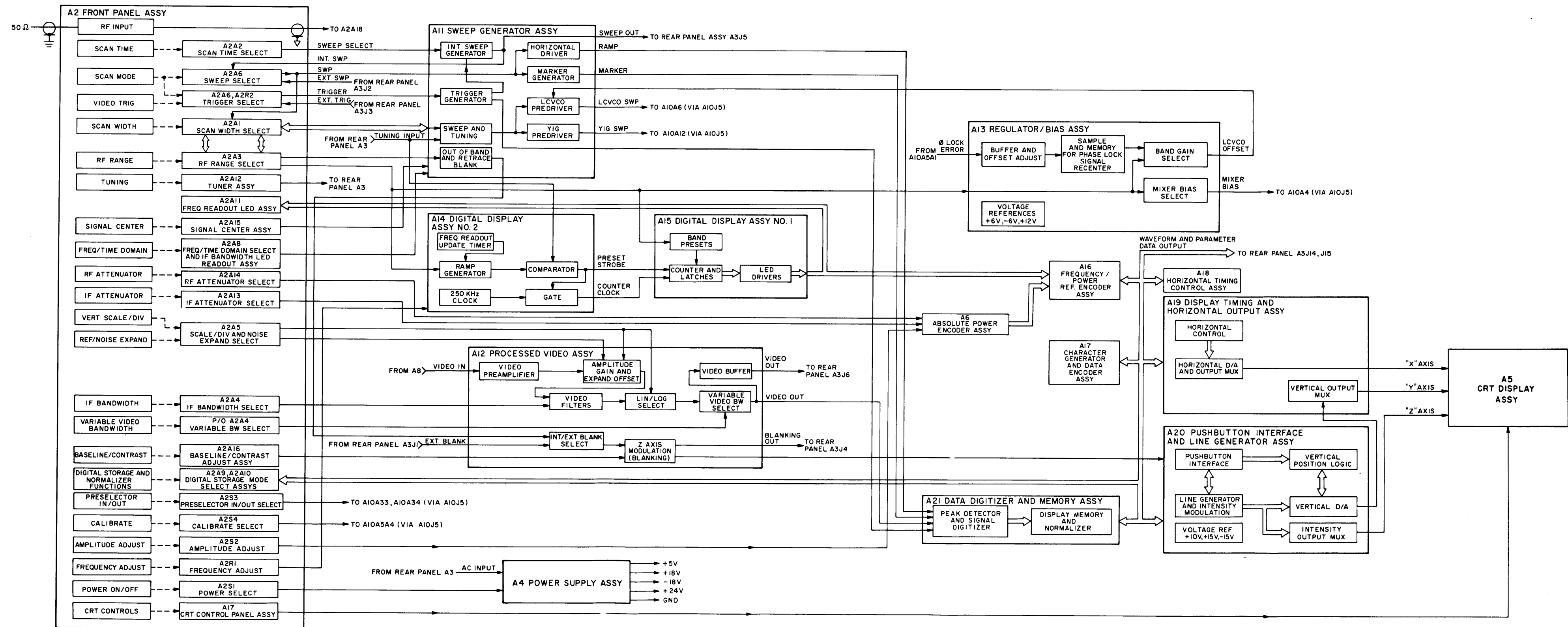


Figure 5-2. AILTECH 757 Spectrum Analyzer Detailed Block Diagram (Sheet 2 of 2)

5-16. The output of the RF attenuator is then fed into RF Switch 1A10A7 which is ganged with RF Switch 1A10A8. When the RF range of the 757 Spectrum Analyzer is set to .001–2 GHz (band 1), the switches are in the closed position. The RF signal is passed through a 2 GHz Low Pass Filter 1A10A11 and into a Microwave Mixer 1A10A13. The signals are then up-converted in conjunction with the swept LO signal from Yig Oscillator 1A10A2. When the RF Switches 1A10A7 and 1A10A8 are activated (bands 2–5), the RF input signal bypasses the low frequency conversion and is fed into the Yig Filter 1A10A3 via RF Switch 1A10A34.

5-17. When the 757 Spectrum Analyzer is set to 1.8–22 GHz (bands 2–5), the Yig filter is swept and positioned one IF (227 MHz) below the Yig Oscillator 1A10A2. When the analyzer is set to .001–2 GHz (band 1), the Yig Filter 1A10A3 becomes fixed-tuned to 2287 MHz. The mixing product of the RF input and the swept LO must result in a product of 2287 MHz for conversion to take place. The signal is then passed through Attenuator 1A10A14 and RF Switch 1A10A33. It should be noted that RF Switches 1A10A34 and 1A10A33 are ganged, providing a bypass path which removes Yig Filter 1A10A3 and 6 dB Attenuator 1A10A14 from the signal path. The two RF switches are controlled by the PRESELECTOR IN-OUT switch. This increases the system sensitivity by the insertion loss of the filter/attenuator combination.

5-18. After the incoming signal is passed through RF Switch 1A10A33, it goes into Directional Coupler 1A10A16. As a function of the positions of RF Switches 1A10A9 and 1A10A10, the coupler combines either the swept LO from Yig Oscillator 1A10A2 (bands 2–5) or a fixed LO at 2060 MHz (band 1). The combined signals are then applied to Harmonic Mixer 1A10A17 which produces the first IF conversion to 227 MHz.

5-19. Coupler 1A10A19 directs the output of Yig Oscillator 1A10A2 to Isolator 1A10A21 and Coupler 1A10A35. Coupler 1A10A35 sends the coupled down LO to the Rear Panel Connector P12 (LO OUTPUT) for use with accessory equipment or for making accurate frequency measurements.

5-20. The output of Coupler 1A10A35 is connected to Loop Mixer Assembly 1A10A23 and is used to phase lock the Yig oscillator. The phase lock circuit is energized when the SCAN WIDTH/DIV switch is in KHZ PHASE LOCKED positions (1 KHz to 300 KHz). This locks Yig Oscillator 1A10A2 to an internal 3.5 MHz crystal reference oscillator. Drift in the Yig oscillator is detected by the phase detector and compensated for. Phase locking occurs only when the SCAN WIDTH/DIV switch is lower than 1 MHz on the scale. When the SCAN WIDTH/DIV switch is in the phase lock mode, the Yig oscillator sweep is disabled and a second sweep is begun on the 248 MHz LCVCO oscillator, which is included in the 1A10A6 Assembly. The Yig oscillator is phase locked by mixing its coupled-down output with a crystal controlled comb source that is generated in Loop Assembly 1A10A5 and processed through Comb Generator 1A10A24 and Attenuator 1A10A25. The output of Attenuator 1A10A25 is connected to Loop Mixer Assembly 1A10A23. These comb lines, which are 2 MHz apart between 1.7 GHz and 4.5 GHz, are the reference for the stabilization of the Yig Oscillator 1A10A2.

5-21. The output of Mixer/Filter Assembly 1A10A23 is a 3.5 MHz IF signal. This 3.5 MHz signal is processed through a narrow 3.5 MHz bandpass filter, amplified, and combined with another 3.5 MHz signal that is generated by Crystal Oscillator 1A10A5A2. Both signals are phase detected and fed into a loop compensation and 8 Hz Oscillator Network 1A10A5A1. The output of this network is the loop error, processed through the Yig Drivers 1A10A12 which now forms a closed loop. Any drift in the Yig Oscillator 1A10A2 is detected by the phase detector and compensated for. When the SCAN WIDTH/DIV switch is in the phase locked mode, the 248 MHz LCVCO Oscillator 1A10A6 is swept to achieve narrow scan widths. When the loop is closed, an automatic recentering circuit (P/O 1A13) is energized, to offset the LCVCO oscillator equal and opposite to the induced frequency error of the Yig oscillator. This forces the signal to lock in the center of the screen. In the nonphase locked mode, the LCVCO oscillator is fixed-tuned and resonates at 248 MHz.

**5-22. IF SECTION.** The 227 MHz first IF generated in Harmonic Mixer 1A10A17 is processed through Mixer Bias Assembly 1A10A4. This unit optimizes the mixing for all harmonics so that frequencies up to 22 GHz can be achieved by the 757 Spectrum Analyzer. When the RF range (GHz) switch is set to bands 1 or 2 (.001–4 GHz), the Yig oscillator is used in the fundamental mixing mode. Band 3 (3.3–8.3 GHz) uses the second harmonic, band 4 (5.4–12.4 GHz) the third harmonic and band 5 (10–22 GHz) the fifth harmonic of the Yig oscillator to generate the required microwave frequencies.

5-23. The broadband 227 MHz output of the mixer bias is applied to a 227 MHz bandpass filter which has a 10 MHz 3 dB bandwidth and narrows the 227 MHz accordingly. The 227 MHz signal is then amplified in RF Amplifiers 1A10A18 and 1A10A31. In bands 1–4, RF Switches 1A10A30 and 1A10A29 are in the closed position so that Attenuator 1A10A22 reduces the IF gain by 6 dB. In band 5 the switches close, thus passing the maximum IF signal.

5-24. The 227 MHz IF is then combined in IF Assembly 1A10A1 with the 248 MHz LO from 1A10A6 to produce a 21.4 MHz second IF. Mixing occurs in the Second IF Converter 1A10A1A4. The 21.4 MHz output is amplified and processed into the 1A10A1A3 Filter bank. The filter bank consists of four IF filters 1 MHz, 100 KHz, 10 KHz, 1 KHz which are selected automatically or manually from the front panel. In the automatic position, a matrix is generated as a function of the SCAN WIDTH/DIV, SCAN TIME/DIV, and IF BANDWIDTH (KHz) switches so that the Analyzer will always select the narrowest filter bandwidth possible. If an incorrect (too narrow) IF bandwidth is manually selected, a normal loss of amplitude will occur. This is corrected by either reducing the SCAN TIME/DIV or SCAN WIDTH/DIV switches until the UNCAL LED is extinguished.

5-25. The output of the first filter bank (21.4 MHz OUTPUT) connects to the IF Processor 1A10A1A1. The processor adjusts the IF gain of the system as a function of filter bandwidth and system RF band to band gain or loss. The 21.4 MHz IF is filtered again in the second IF filter bank which has been cascaded with the first filter bank. The output of the IF Assembly 1A10A1 is then fed into the IF Attenuator 1A2A13. The IF attenuator provides 110 dB in 1 dB steps allowing the operator to adjust the signal amplitude on the CRT with

respect to the noise level of the signal. The output of the IF Attenuator 1A2A13 is connected to the Rear Panel Assembly 1A3-J11 and is then jumped on the rear panel externally before it comes back into the system on 1A3-J10. This allows the user to monitor the 21.4 MHz IF via a 3 dB hybrid. The 21.4 MHz IF is then fed into the Log IF Amplifier 1A8. The Log IF Amplifier provides a better than 100 dB dynamic range and converts the 21.4 MHz IF into a video format for system processing.

**5-26. FRONT PANEL ASSEMBLY 1A2.** The following paragraphs provide a description of front panel controls and components.

**5-27. SCAN TIME/DIV Switch.** This 11 position switch allows the operator to choose the rate at which the Analyzer is swept. Sweep rate, whose time is set by an RC circuit on the switch, provides the sweep time for the Yig oscillator, Yig filter, and second local oscillator. The time constant works in conjunction with Sweep Generator 1A11 and divides the ramp formed into ten equal time periods.

**5-28. SCAN MODE Switch.** This 7 position switch selects the trigger mode for internal scan or for an external sweep or trigger. The VIDEO TRIG threshold level control operates only when the SCAN MODE switch is set to the VIDEO position.

**5-29. SCAN WIDTH/DIV Switch.** This 14 position switch selects calibrated scan widths from 1 kHz to 700 MHz per division. The SCAN WIDTH/DIV switch consists of a series of precision voltage dividers that set the sweep amplitude for the Yig oscillator, Yig filter, and second local oscillator sweeps generated on Sweep Generator 1A11.

**5-30. TUNING.** The TUNING control provides a dc offset  $\pm 6$  vdc to the sweeps that drive the Yig devices. The tuning line is routed through the Rear Panel Assembly 1A3 to allow the operator access to the tuning line for remote tuning of the Spectrum Analyzer.

**5-31. SIGNAL CENTER Assembly 1A2A15.** This assembly provides the vernier control of the tracking between Yig filter and oscillator. The input signal is maximized in amplitude by adjusting this control. The SIGNAL CENTER control, when depressed at SCAN WIDTH/DIV of 300 kHz or less, causes the displayed RF signal to skip to the next internally generated comb line. It is possible to skip the oscillator to an adjacent comb line only

in bands 1–4 due to the harmonics of the Yig oscillator being used. The skipping action is a user convenience, rarely required.

**5-32. FREQ/TIME DOMAIN Switch 1A2A8.**

This switch allows the Spectrum Analyzer to be used in both the frequency and time domains. When in the frequency domain, the horizontal axis is calibrated in frequency intervals. Operating in the time domain allows the operator to look at a fixed frequency. When the DOMAIN switch is set to TIME, the unit stops sweeping and looks at the envelope of the displayed RF in the time domain. If sine wave modulation is present, the Spectrum Analyzer can be used as an oscilloscope to determine the time interval of the modulation. The Analyzer then is not viewing the carrier frequency but the detected frequency.

**5-33. RF Attenuator 1A2A14.** The RF ATTEN (dB) control is a 60 dB drum step attenuator that operates on the input signal only. It is capable of taking 2 watts of power when set to 20 dB or more and 100 mw in the straight through or 0 dB position. This control's main function is to prevent overloading of the Spectrum Analyzer from high powered RF signals.

**5-34. IF Attenuator 1A2A13.** The IF ATTEN (dB) control is a two drum 110 dB attenuator that operates on 21.4 MHz. Its function is to give the operator control over the signal and noise so that it can be placed in a convenient position on the CRT.

**5-35. Vertical Scale.** The VERT SCALE/DIV switch allows the operator to select three logarithmic amplitude display sensitivities or a linear display. The switch includes a concentric, two position switch that allows the user to expand around either the noise or the ref level. When in the REF mode, as we reduce to below 10 dB/div, the signal stays at the top of the CRT and the noise expands downward. This mode is used when there is a signal of large amplitude present. When a signal is of small amplitude we would expand about the noise. As the amplitude is reduced below 10 dB/div, the noise floor and signal move up and it may be necessary to add IF attenuation to conveniently center the signal. In this mode the REF level alphanumeric readout is blanked to prevent the user making an error in determining the absolute power of this signal.

**5-36. Frequency Readout LED Assembly 1A2A11.** The frequency readout LED assembly consists of five 7 segment LEDs which display the center frequency of the Spectrum Analyzer.

**5-37. IF BANDWIDTH Switch.** The IF BANDWIDTH (KHz) switch is a 5 position switch which allows automatic or manual selection of one of the four IF filters in the system. This switch includes a concentric switch that allows the user to manually select variable video filtering between 1 MHz and 10 Hz. When in the extreme clockwise position, the Analyzer will automatically select the correct IF and video bandwidth for the settings of the SCAN WIDTH/DIV and SCAN TIME/DIV switches. The function of the video filters is to provide smoothing of the video signal. Too much video filtering will distort the signal. Therefore, when the variable video filter is energized, UNCAL illuminates to warn the user that the display may be uncalibrated.

**5-38. BASELINE/CONTRAST Control.** When the Spectrum Analyzer is in the bypass mode, this control is energized to clip the noise so that it does not interfere with the data taken from the signal of interest. This is primarily used for photography. The contrast control allows the noise to be viewed at a lower intensity to prevent blooming when a photograph is taken.

**5-39. SWEEP GENERATOR ASSEMBLY 1A11.** The sweep generator consists of eight major circuits. This board generates the main and associated sweeps for the system as well as the tuning marker and required out of band blanking.

**5-40. PROCESSED VIDEO ASSEMBLY 1A12.** The processed video assembly gives the video gain and offset for the system. In addition, it provides the video filtering and Z axis blanking for the BASELINE/CONTRAST control.

**5-41. REGULATOR/BIAS ASSEMBLY 1A13.** The regulator/bias board takes the phase lock error signal, buffers it, and feeds it into a sample and hold circuit. This process is used for repositioning the signal into the center of the screen. The board provides the dc voltage for the mixer bias select circuit. This circuit consists of a number of potentiometers which adjust the mixer for the associated harmonics being used. The board also provides the regulated  $\pm 6$  Vdc and the raw +12 Vdc and -6 Vdc for the system.

**5-42. DIGITAL DISPLAY ASSEMBLY NO. 2 1A14.** This board contains the circuitry to divide the 1 MHz clock to 250 kHz and to convert the analog tuning voltage to a digital word.

**5-43. DIGITAL DISPLAY ASSEMBLY NO. 1 1A15.** This board takes the outputs of Digital Display No. 2 and combines it with the band presets to convert the digital word into a number and provide driving and decoding for the LED and CRT displays.

**5-44. FREQUENCY/POWER REFERENCE ENCODER ASSEMBLY 1A16.** This board takes the outputs from Digital Display Assembly No. 1 and Absolute Power Encoder Assembly 1A6. The information is encoded and presented on the CRT display. In addition, the signals are buffered and brought to the rear panel for monitoring purposes.

**5-45. CHARACTER GENERATOR AND DATA ENCODER ASSEMBLY 1A17.** This board takes the inputs from the SCAN WIDTH/DIV, SCAN TIME/DIV, IF BANDWIDTH and VERT SCALE/DIV switches and encodes them for presentation on the display. The signals are also buffered and brought to the rear panel.

**5-46. HORIZONTAL TIMING CONTROL ASSEMBLY 1A18.** This board contains three counters that create the digital sweep for the representation of waveforms and character data on the screen. The board also accepts information from other printed circuit boards and determines whether the readout is enabled or disabled, or whether there is an A or B sweep, etc. The board also contains the oscillator that serves as the system clock, the character dot generator, Z axis dot driver and logic for combining the digital character sweeps with the analog waveform sweeps.

**5-47. DISPLAY TIMING AND HORIZONTAL OUTPUT ASSEMBLY 1A19.** The main function of this board is to convert the digital information from the Horizontal Timing Control Assembly Board 1A18 into an analog voltage. A multiplexer takes the horizontal and vertical outputs to the CRT. Depending on which mode the system is in, the board will either present digitally generated analog information or straight analog information. The board also contains the line generator timing logic which divides the 4 MHz clock down to 1 MHz and provides the circuitry for determining dot formation and position of characters for the CRT raster scan, and provides the 1 MHz clock for Digital Display Assembly No. 2 1A14.

**5-48. PUSHBUTTON INTERFACE AND LINE GENERATOR ASSEMBLY 1A20.** This board produces the line generating logic needed to connect the dots presented on the screen. The board contains two digital-to-analog converters required to generate lines, and the operational amplifiers necessary to modulate the Z axis for intensification. A Z axis multiplexer is included to present digital logic from one of three sources; intensity modulation from the line generator, intensity modulation from the dot generator, and intensity modulation of analog input signals. There is also a 10 Vdc regulator used on all the digital-to-analog converters and a PROM which directs the vertical position of the characters on the screen. This board contains the pushbutton debouncers for switch assemblies 1A2A9 and 1A2A10 on the front panel assembly. The logic that stores the required information when the pushbuttons are depressed is located on this board, as well as the guide logic for the indicator LEDs on the front panel. The control of the other boards, communicating which mode is enabled, is the job of the pushbutton interface board.

**5-49. DATA DIGITIZER AND MEMORY ASSEMBLY 1A21.** This board contains a RAM which stores all video information (A and B channels, recall, and input modes). It contains normalizer logic, which has the capability of subtracting two waveforms and presenting the data to the digital-to-analog circuits for representation on the screen. Also present are data buffers which go to the rear panel and present the user with data for his own use. Digital logic and analog signals are combined on this board to digitize data from the Spectrum Analyzer. In addition, there are buffer amplifiers, sample and hold circuits, peak detectors, and an analog-to-digital converter to digitize incoming analog video signals. There is also a mode for digitizing ramp waveform. The most significant circuit on this board is the timing logic for loading the memories and determining which mode the system is in.

#### **5-50. SIGNAL DESCRIPTIONS**

5-51. The following paragraphs contain descriptions of signals for the AILTECH 757 Spectrum Analyzer.

**5-52. INPUT SIGNALS.** Paragraphs 5-53 through 5-74 provide descriptions of the input signals for the AILTECH 757 Spectrum Analyzer.

**5-53. Video Out.** This signal is the analog real-time representation of the analyzer vertical output from the preamplifier board. The voltage of this signal varies between 0 Vdc and 1.5 Vdc.

**5-54. Ramp.** This signal is the analog realtime representation of the analyzer horizontal output from the sweep generator board. The voltage of the signal varies between 0 Vdc and 6 Vdc.

**5-55. Internal Blanking.** This signal is the blanking output from the preamplifier board. The voltage from this signal varies between 0 Vdc and 5 Vdc.

**5-56. Horz Sync.** This signal originates from the sweep generator board and has a TTL logic compatible output. The signal becomes active through a high to low transition at the beginning of every sweep.

**5-57. Marker.** This signal originates from the front panel and generates a notched waveform which is added to the video signal when a full range input is selected. The amplitude of the notch is approximately -120 mV.

**5-58. AMPLX —, AMP2X —, AMP5X —, AMP10 —.** These signals originate from the VERT SCALE/DIV switch on the front panel providing an active low signal (0 Vdc) and an open circuit when inactive. These signals represent a linear, 2 dB, 5 dB and 10 dB scale per division respectively. (Refer to Table 5-1.)

Table 5-1. Vertical Scale Inputs

Signal	Vertical Scale Input			
	Linear	2 dB	5 dB	10 dB
AMPLX —	0	1	1	1
AMP2X —	X	0	1	1
AMP5X —	X	X	0	1
AMP10 —	X	X	X	0
0 = 0 Vdc 1 = 5 Vdc				

**5-59. I1X0X +, I1X1X +, I1X2X +, I1X3X +.** These signals originate from the IF BANDWIDTH switch on the front panel. These signals are +18 Vdc when active, and -18 Vdc when inactive. They represent IF Bandwidth of 1 kHz, 10 kHz, 100 kHz, and 1 MHz, respectively. (Refer to Table 5-2.)

Table 5-2. IF Bandwidths Inputs

Signal	IF Bandwidth Input			
	1000 kHz	100 kHz	10 kHz	1 kHz
I1X0X +	1	0	0	0
I1X1X +	X	1	0	0
I1X2X +	X	X	1	0
I1X3X +	X	X	X	1
0 = -18 Vdc 1 = +18 Vdc				

**5-60. Scan Width Signals.** The scan width signals originate from the SCAN WIDTH/DIV switch on the front panel providing an active low (0 Vdc) and an open circuit when inactive. (Refer to Table 5-3.)

**5-61. Scan Time Signals.** The scan time signals originate from the SCAN TIME/DIV switch on the front panel providing an active low (0 Vdc) and open circuit when inactive. (Refer to Table 5-4.)

**5-62. Frequency Signals.** The frequency signals originate from the digital display board. All signals are active high TTL logic levels. The required signals represent five binary coded digits as well as four leading zero blanking signals for the least significant digits. These signals represent a center frequency from 0 MHz to 22 GHz. (Refer to Table 5-5.)

**5-63. Reference Level Inputs.** The reference level inputs originate from the absolute power board. All signals have TTL logic levels. Those signals that represent the two least significant digits are active high (Table 5-6); all other signals are active low (Table 5-7). These signals represent a range of reference level values from -40 to +160 dBm.

**5-64. BYPAS +, BYPAS — (BYPASS Pushbutton).** These pushbutton signals are 1 and 0 respectively when inactive. Upon activating the BYPASS pushbutton once, the controller will disengage the representation of a waveform by digital means and allow the original waveform to be represented. Upon activating the pushbutton again, the digital representation will again appear. The BYPASS and SIGNAL IN LEDs will be activated whenever the bypass mode is engaged. All other modes and LEDs will be disabled except for readout disable. The system will automatically engage the bypass mode when the scan time is less than 3 ms/division and the system is not in the manual scan mode.

Table 5-3. Scan Width Signals

Signal	Scan Width Input													
	1 kHz	3 kHz	10 kHz	30 kHz	100 kHz	300 kHz	1 MHz	3 MHz	10 MHz	30 MHz	100 MHz	200 MHz	500 MHz	700 MHz
SW1X3 –	0	1	1	1	1	1	1	1	1	1	1	1	1	1
SW3X3 –	X	0	1	1	1	1	1	1	1	1	1	1	1	1
SW1X4 –	X	X	0	1	1	1	1	1	1	1	1	1	1	1
SW3X4 –	X	X	X	0	1	1	1	1	1	1	1	1	1	1
SW1X5 –	X	X	X	X	0	1	1	1	1	1	1	1	1	1
SW3X5 –	X	X	X	X	X	0	1	1	1	1	1	1	1	1
SW1X6 –	X	X	X	X	X	X	0	1	1	1	1	1	1	1
SW3X6 –	X	X	X	X	X	X	X	0	1	1	1	1	1	1
SW1X7 –	X	X	X	X	X	X	X	X	0	1	1	1	1	1
SW3X7 –	X	X	X	X	X	X	X	X	X	0	1	1	1	1
SW1X8 –	X	X	X	X	X	X	X	X	X	X	0	1	1	1
SW2X8 –	X	X	X	X	X	X	X	X	X	X	X	0	1	1
SW5X8 –	X	X	X	X	X	X	X	X	X	X	X	X	0	1
SW7X8 –	X	X	X	X	X	X	X	X	X	X	X	X	X	0

0 = 0 Vdc  
1 = 5 Vdc

Table 5-4. Scan Time Signals

Signal	Scan Time Input										
	10 sec	3 sec	1 sec	300 ms	100 ms	30 ms	10 ms	3 ms	1000 $\mu$ s	100 $\mu$ s	10 $\mu$ s
ST100 –	0	1	1	1	1	1	1	1	1	1	1
ST3X0 –	X	0	1	1	1	1	1	1	1	1	1
ST1X0 –	X	X	0	1	1	1	1	1	1	1	1
ST3X1 –	X	X	X	0	1	1	1	1	1	1	1
ST1X1 –	X	X	X	X	0	1	1	1	1	1	1
ST3X2 –	X	X	X	X	X	0	1	1	1	1	1
ST1X2 –	X	X	X	X	X	X	0	1	1	1	1
ST3X3 –	X	X	X	X	X	X	X	0	1	1	1
ST1X3 –	X	X	X	X	X	X	X	X	0	1	1
ST1X4 –	X	X	X	X	X	X	X	X	X	0	1
ST1X5 –	X	X	X	X	X	X	X	X	X	X	0

0 = 0 Vdc  
1 = 5 Vdc

Table 5-5. Frequency Signals

Signal	Center Frequency Digit Input										
	0	1	2	3	4	5	6	7	8	9	Blank
FRQ 11+	0	1	0	1	0	1	0	1	0	1	0
FRQ 12+	0	0	1	1	0	0	1	1	0	0	0
FRQ 14+	0	0	0	0	1	1	1	1	0	0	0
FRQ 18+	0	0	0	0	0	0	0	0	1	1	0
FRB K1-	1	1	1	1	1	1	1	1	1	1	0

0 = TTL Low  
 1 = TTL High

Coding for most significant digit of center frequency.  
 (Coding of remaining digits is similar except for the least significant digit which has no blanking signal.)

Table 5-6. Reference Level Inputs (High)

Signal	Power Reference Digit Input									
	0	1	2	3	4	5	6	7	8	9
PRF 21+	0	1	0	1	0	1	0	1	0	1
PRF 22+	0	0	1	1	0	0	1	1	0	0
PRF 24+	0	0	0	0	1	1	1	1	0	0
PRF 28+	0	0	0	0	0	0	0	0	1	1

0 = TTL Low  
 1 = TTL High

Least significant digit of reference level  
 (The second least significant digit coding is similar.)

Table 5-7. Reference Level Inputs (Low)

Signal	Power Reference Sign & MSB Input							
	+1	+	+1	+	-1	-	1	
PRF 01 -	0	1	0	1	0	1	0	1
PRFM -	0	0	1	1	0	0	1	1
PRFP -	0	0	0	0	1	1	1	1

0 = TTL Low  
 1 = TTL High

Sign and most significant digit of reference level.



**5-65. RD DIS +, RD DIS -- (READOUT DISABLE PUSHBUTTON).** These signals are 1 and 0 respectively when active, and 0 and 1 respectively when inactive. When activated, the alphanumeric parameter representation is blanked from the CRT. Upon activating the pushbutton again, the alphanumerics will again appear. Whenever readout disable is active, the READOUT DISABLE LED will be active. The parameter readout may be active at any scan time while in the non-bypass mode; however, it cannot be activated in scan times of less than 3 ms/division while in the bypass mode.

**5-66. CHA XX -- (CHANNEL A PUSHBUTTON).** This signal is active low (0 Vdc) and +5 Vdc when inactive. Upon activating the channel A pushbutton, a single waveform will be presented on the display. The waveform will be presented in either the input, hold, recall or input-memory mode depending on which pushbutton was depressed last when the channel A mode was previously active. The channel A LED will be activated and the B view A mode disabled when the channel A mode is active. The controller will enter this mode on power up.

**5-67. CHB XX -- (B VIEW A PUSHBUTTON).** This signal is active low (0 Vdc) and +5 Vdc when inactive. Upon activating the B VIEW A pushbutton, two waveforms will be presented on the display. The first waveform will be identical to the waveform presented on channel A before the B VIEW A pushbutton was depressed. The waveform mode on channel A cannot be altered unless the channel A pushbutton has been depressed. The second waveform will be in the mode that was active at the last time the B VIEW A pushbutton was depressed. The mode of waveform B may be altered until the channel A pushbutton is depressed. The B VIEW A LED will be active and the channel A mode disabled when the B VIEW A mode is active.

**5-68. INPUT +, INPUT -- (SIGNAL IN PUSHBUTTON).** These signals are 1 and 0 respectively when active, and 0 and 1 respectively when inactive. When activated, either channel A or channel B (depending on which pushbutton was depressed last) will be continually updated from the input analog signals. The SIGNAL IN LED will be active and the hold, recall and input-memory modes disabled when this mode is active. The controller will enter this mode on power up.

**5-69. HOLD X +, HOLD X -- (HOLD PUSHBUTTON).** These signals are 1 and 0 respectively when active, and 0 and 1 respectively when inactive. When activated, either channel A or channel B (depending on which pushbutton was depressed last) will be held. The update of input information will be stopped and the HOLD LED will be activated. The input mode is disabled when the hold mode is active. The hold mode cannot be activated while the recall mode is active.

**5-70. RECAL +, RECAL -- (RECALL PUSHBUTTON).** These signals are 1 and 0 respectively when active, and 0 and 1 respectively when inactive. When activated, the memory contents of either channel A or B (depending on which pushbutton was depressed last) will be displayed. The RECALL LED will be active and the input, hold and input-memory modes will be inactive when the recall mode is active.

**5-71. I -- MEM +, I -- MEM -- (SIG-IN MEMORY PUSHBUTTON).** These signals are 1 and 0 respectively when active, and 0 and 1 respectively when inactive. When activated, the contents of the recall memory of either channel A or B (depending on which pushbutton was depressed last) will be subtracted from the input waveform. The SIG-IN MEMORY LED will be active and the input and recall modes will be inactive when this mode is active. When subtracted, the resultant waveform will position a zero result in the center of the screen providing a bipolar waveform. A positive result of each subtraction will appear in the upper half of the screen while a negative result will appear in the lower half.

**5-72. SAVE X +, SAVE X -- (SAVE PUSHBUTTON).** These signals are 1 and 0 respectively when active, and 0 and 1 respectively when inactive. When activated, the input waveform will be stored during the next complete input sweep into either the channel A or B recall memories (depending on which pushbutton was depressed last). The SAVE LED will be active from the time the pushbutton is activated until storage is completed. When the manual scan mode is active, the save function and LED will be active until the SAVE pushbutton is depressed a second time.

**5-73. MANUL --.** This signal originates from the SCAN MODE switch and is active when the switch is in the manual mode. This signal is 0 Vdc when active, and open when inactive.

**5-74. AI1X1 +, AI1X2 +, AI1X3 +.** These signals represent the coded outputs of the automatically selected IF bandwidth, and are +18 Vdc when active and -18 Vdc, when inactive. They represent automatically selected IF bandwidths of 10 kHz, 100 kHz, and 1 MHz, respectively. (Refer to Table 5-8.)

Table 5-8. Auto IF Bandwidth Signals

Signal	Auto IF Bandwidth Input			
	1000 kHz	100 kHz	10 kHz	1 kHz
AI 1X1 +	0	0	1	0
AI 1X2 +	0	1	0	0
AI 1X3 +	1	0	0	0
0 = - 18 Vdc 1 = +18 Vdc				

**5-75. OUTPUT SIGNALS.** Paragraphs 5-76 through 5-92 provide descriptions of the output signals of the AILTECH 757 Spectrum Analyzer.

**5-76. Horz.** This signal is the horizontal output drive to the CRT display. The output voltage varies from approximately 0 Vdc (left side of display) to 1.5 Vdc (right side of display).

**5-77. Vert.** This signal is the vertical output drive to the CRT display. The output varies from approximately 0 Vdc (bottom of display) to 1.5 Vdc (top of display).

**5-78. INTNS.** This signal is the blanking output drive to the CRT display. The output varies from approximately 0 Vdc (blanked) to 1 Vdc (full intensity).

**5-79. BAMP0 –, BAMP1 –.** These signals are open collector active low outputs present at the rear panel for external monitoring of the amplitude scale. The signal coding is presented in Table 5-9.

Table 5-9. Vertical Scale Outputs

Signal	Vertical Scale Output			
	Linear	2 dB	5 dB	10 dB
BAMP0 –	1	0	1	0
BAMP1 –	1	1	0	0
0 = TTL Low 1 = Open Circuit (7416 Output)				

**5-80. BI000 –, BI001 –.** These signals are open collector active low outputs present at the rear panel for external monitoring of the IF bandwidth. The signal coding is presented in Table 5-10.

Table 5-10. IF Bandwidth Outputs

Signal	IF Bandwidth Output			
	1 kHz	10 kHz	100 kHz	1 MHz
BI000 –	1	0	1	0
BI001 –	1	1	0	0
0 = TTL Low 1 = Open Circuit (7416 Output)				

**5-81. BI1X0 –, BI1X1 –, BI1X2 –, BI1X3 –.** These signals are open collector active low outputs that drive the 1 kHz, 10 kHz, 100 kHz and 1 MHz IF bandwidth front panel LEDs.

**5-82. SWXX0 –, SWXX1 –, SWXX2 –, SWXX3 –.** These signals are open collector active low outputs present at the rear panel for external monitoring of the scan width. The signals are encoded as shown in Table 5-11.

**5-83. STXX0 –, STXX1 –, STXX2 –, STXX3 –.** These signals are open collector active low outputs present at the rear panel for external monitoring of the scan time. The signals are encoded as shown in Table 5-12.

**5-84. Frequency Output Signals.** The buffered frequency output signals are open collector active low outputs present at the rear panel for external monitoring of the center frequency. The signals are encoded as shown in Table 5-13.

**5-85. Reference Level Outputs.** The buffered reference level output signals are open collector active low outputs present at the rear panel for external monitoring of the reference level. These signals are encoded as shown in Tables 5-14 and 5-15.

**5-86. BAD00 – Through BAD09 –.** These ten signals are open collector active low. They represent the 1024 waveform horizontal positions on the screen in a binary form. BAD00 – is the least significant bit and BAD09 – is the most significant bit. All ten signals are available at the rear panel. (Refer to Table 5-16.)

Table 5-11. Scan Width Output Signals

Signal	Scan Width Outputs													
	1 kHz	3 kHz	10 kHz	30 kHz	100 kHz	300 kHz	1 MHz	3 MHz	10 MHz	30 MHz	100 MHz	200 MHz	500 MHz	700 MHz
SWXX0 –	1	0	1	0	1	0	1	0	1	0	1	0	1	0
SWXX1 –	1	1	0	0	1	1	0	0	1	1	0	0	1	1
SWXX2 –	1	1	1	1	0	0	0	0	1	1	1	1	0	0
SWXX3 –	1	1	1	1	1	1	1	1	0	0	0	0	0	0
0 = TTL Low 1 = Open Circuit (7416 Output)														

Table 5-12. Scan Time Output Signals

Signal	Scan Time Outputs										
	10 sec	3 sec	1 sec	300 ms	100 ms	30 ms	10 ms	3 ms	1000 $\mu$ s	100 $\mu$ s	10 $\mu$ s
STXX0 –	1	0	1	0	1	0	1	0	1	0	1
STXX1 –	1	1	0	0	1	1	0	0	1	1	0
STXX2 –	1	1	1	1	0	0	0	0	1	1	1
STXX3 –	1	1	1	1	1	1	1	1	0	0	0
0 = TTL Low 1 = Open Circuit (7416 Output)											

Table 5-13. Frequency Output Signals

Signal	Center Frequency Digit Output									
	0	1	2	3	4	5	6	7	8	9
BFR51 –	1	0	1	0	1	0	1	0	1	0
BFR52 –	1	1	0	0	1	1	0	0	1	1
BFR54 –	1	1	1	1	0	0	0	0	1	1
BFR58 –	1	1	1	1	1	1	1	1	0	0
0 = TTL Low 1 = Open Circuit (7416 Output)  Coding for least significant digit of buffered center frequency. (Coding of remaining digits is similar)										

**Table 5-14. Power Reference Digit Output**

<b>Signal</b>	<b>0</b>	<b>1</b>	<b>2</b>	<b>3</b>	<b>4</b>	<b>5</b>	<b>6</b>	<b>7</b>	<b>8</b>	<b>9</b>
BPR21 –	1	0	1	0	1	0	1	0	1	0
BPR22 –	1	1	0	0	1	1	0	0	1	1
BPR24 –	1	1	1	1	0	0	0	0	1	1
BPR28 –	1	1	1	1	1	1	1	1	0	0

0 = TTL Low  
 1 = Open Circuit (7417 Output)

Least significant digit of buffered reference level  
 (The second least significant digit is encoded similarly.)

**Table 5-15. Power Reference Sign and MSB Outputs**

<b>Signal</b>	<b>+</b>	<b>+1</b>	<b>-</b>	<b>-1</b>
BPR01 –	1	0	1	0
PRFP +	1	1	0	0

0 = TTL Low  
 1 = Open Circuit (7416 Output)

Sign and most significant digit of buffered reference level.

**Table 5-16. BAD00 – Through BAD09 – Outputs**

<b>Signal</b>	<b>Leftmost Vertical Line of Graticule</b>	<b>Center Line of Graticule</b>	<b>Rightmost Vertical Line of Graticule</b>
BAD00 –	1	0	0
BAD01 –	1	0	0
BAD02 –	1	0	0
BAD03 –	1	0	0
BAD04 –	1	0	0
BAD05 –	1	0	0
BAD06 –	1	0	0
BAD07 –	1	0	0
BAD08 –	1	0	0
BAD09 –	1	1	0

0 = TTL Low  
 1 = Open Circuit (7416 Output)

**5-87. BDAT0 – Through BDAT8 –.** These nine lines are open collector active low. They represent 512 waveform vertical positions on the screen in a binary form. BDAT0 – is the least significant bit and BDAT8 – is the most significant bit. All nine signals are available at the rear panel. (Refer to Table 5-17.)

**5-88. IN+ RC–.** This line indicates whether the remote waveform data being transmitted is part of the input memory or recall memory. A low output (TTL Low) indicates the data is from a recall memory. Any open circuit (7416 output) indicates the data is from the input memory. This signal is available at the rear panel.

**5-89. CA+ CB–.** This line indicates whether the remote waveform data being transmitted is channel A data or channel B data. A low output (TTL Low) indicates the data is from channel B. An open circuit (7416 output) indicates the data is from channel A. This signal is available at the rear panel.

**5-90. BSTRB –.** This line is a buffered data strobe used to clock the output data, address, IN–RC+, CA–CB+ and BBLNK – signals. This strobe has a TTL low output and an open circuit high (7416 output). The strobe is low for 500NS and may be used to strobe the output data on its low to high transition. This signal is available at the rear panel.

**5-91. BBLNK –.** This line is a buffered active low output and an open circuit high (7416 output) signal. When low, this signal indicates that the data that is strobed by BSTRB – at the rear panel connector is invalid and should be blanked. This signal is available at the rear panel.

**5-92. LUNCL –.** This line has an open collector active low output and drives the UNCAL LED. The line will be active when any of the following conditions exist: scan time vernier is active, scan width vernier is active; the 1000  $\mu$ s, 100  $\mu$ s, or 10  $\mu$ s scan time is chosen in the frequency domain, when a non-automatic bandwidth setting is selected when not in the auto bandwidth mode, or when the variable video bandwidth is enabled.

Table 5-17. BDAT0 – Through BDAT8 – Outputs

Signal	Topmost Horizontal Line of Graticule	Center Horizontal Line of Graticule	Bottom-most Horizontal Line of Graticule
BDAT0 –	0	1 0	1
BDAT1 –	0	1 0	1
BDAT2 –	0	1 0	1
BDAT3 –	0	1 0	1
BDAT4 –	0	1 0	1
BDAT5 –	0	1 0	1
BDAT6 –	0	1 0	1
BDAT7 –	0	1 0	1
BDAT8 –	0	0 1	1

0 = TTL Low  
1 = Open Circuit (7416 Output)

## SECTION 6

## ALIGNMENT AND ADJUSTMENT

**6-1. INTRODUCTION**

6-2. This section describes adjustments required to return the 757 Spectrum Analyzer to peak operating condition when repairs are required. Table 6-1 lists all of the adjustments by adjustment name, reference designator, adjustment paragraph, schematic diagram, figure number, and function. Figures 6-1 and 6-2 illustrate the location of adjustable components and test points. Included in this section are test setup procedures and check and adjustment procedures.

6-3. Data taken during adjustments should be recorded. Comparison of initial data with data taken during periodic adjustments assists in preventive maintenance and troubleshooting.

**WARNING**

With the covers removed, exposed terminals have voltages capable of causing death. The adjustments in this section should be performed only by a skilled technician who knows the hazard involved.

**NOTE**

Before performing any adjustments, allow one hour warm-up time for the instrument.

**6-4. TEST EQUIPMENT REQUIRED**

6-5. Table 1-3 contains a tabular listing of test equipment and test accessories required for the adjustment procedures. In addition, the table contains the required minimum specifications and a suggested manufacturer's model number.

**6-6. BLADE TUNING TOOLS.** For adjustments requiring a non-metallic tuning tool, use tuning tool, AILTECH part no. 293198-1. In situations not requiring non-metallic tuning tools, an ordinary

small screwdriver or other suitable tool is sufficient. Never try to force any adjustment control in the 757 Spectrum Analyzer. This is especially critical when tuning variable slug-tuned inductors and variable capacitors.

**6-7. FACTORY SELECTED COMPONENTS**

6-8. Certain components of the AILTECH 757 Spectrum Analyzer are factory selected components. Factory selected components are designated by an asterisk (\*) on the schematic diagrams in Section 7.

**6-9. RELATED ADJUSTMENTS**

6-10. Interactive control adjustments are noted in the procedures. These are indicated by paragraph number(s) as the adjustments that must be performed if an assembly has been replaced or repaired, or if an adjustment has been made on an assembly.

**6-11. ADJUSTMENT PROCEDURES**

**6-12. LOW VOLTAGE POWER SUPPLY 1A4 AND REGULATOR BIAS PRINTED CIRCUIT BOARD 1A13 ADJUSTMENTS.** To adjust Low Voltage Power Supply 1A4 and Regulator Bias Printed Circuit Board 1A13, proceed as follows:

1. Using a digital voltmeter, check the output voltages of Low Voltage Power Supply 1A4 (Figure 7-20). These voltages should be  $+18.3 \pm 0.1$ ,  $-18.3 \pm 0.1$ ,  $+24 \pm 1.2$  and  $+5.1 \pm 0.2$  Vdc and are adjustable by potentiometers 1A4A1R39, 1A4A1R25, 1A4A1R53 and 1A4A1R11, respectively.

2. Connect a digital voltmeter between test point 1A13TP4 on Regulator Bias Printed Circuit Board 1A13 (Figure 6-1) and chassis ground. Adjust -6V REF ADJ potentiometer 1A13R38 on Regulator Bias Printed Circuit Board 1A13 for a  $-6 \pm 0.005$  Vdc reading.

Table 6-1. Adjustable Components

Adjustment	Reference Designation	Paragraph	Figure No.	Function
BAND 5 VCO OFFSET	1A2A3A2R23	6-18	6-2	Adjusts Yig oscillator tuning offset for band 5.
BAND 4 VCO OFFSET	1A2A3A2R26	6-17	6-2	Adjusts Yig oscillator tuning offset for band 4.
BAND 3 VCO OFFSET	1A2A3A2R29	6-16	6-2	Adjusts Yig oscillator tuning offset for band 3.
BAND 2 VCO OFFSET	1A2A3A2R32	6-15	6-2	Adjusts Yig oscillator tuning offset for band 2.
BAND 1 VCO OFFSET	1A2A3A2R35	6-14	6-2	Adjusts Yig oscillator tuning offset for band 1.
BAND 5 FILTER OFFSET	1A2A3A2R38	6-18	6-2	Adjusts Yig filter tuning offset for band 5.
BAND 4 FILTER OFFSET	1A2A3A2R41	6-17	6-2	Adjusts Yig filter tuning offset for band 4.
BAND 3 FILTER OFFSET	1A2A3A2R44	6-16	6-2	Adjusts Yig filter tuning offset for band 3.
BAND 2 FILTER OFFSET	1A2A3A2R47	6-15	6-2	Adjusts Yig filter tuning offset for band 2.
BAND 1 FILTER OFFSET	1A2A3A2R50	6-13, 6-14	6-2	Adjusts Yig filter tuning offset for band 1.
BAND 4 FILTER GAIN	1A2A3A3R14	6-17	6-2	Adjusts Yig filter sweep gain for band 4.
BAND 3 FILTER GAIN	1A2A3A3R17	6-16	6-2	Adjusts Yig filter sweep gain for band 3.
BAND 2 FILTER GAIN	1A2A3A3R20	6-15	6-2	Adjusts Yig filter sweep gain for band 2.
BAND 5 FILTER GAIN	1A2A3A3R89	6-18	6-2	Adjusts Yig filter sweep gain for band 5.
BAND 5 DIGITAL SLOPE	1A2A3A4R10	6-18	6-2	Adjusts counter for mid-band frequency readout alignment for band 5.
BAND 4 DIGITAL GAIN	1A2A3A4R52	6-17	6-2	Adjusts counter for end of band frequency readout alignment for band 4.
BAND 3 DIGITAL GAIN	1A2A3A4R54	6-16	6-2	Adjusts counter for end of band frequency readout alignment for band 3.
BAND 2 DIGITAL GAIN	1A2A3A4R56	6-15	6-2	Adjusts counter for end of band frequency readout alignment for band 2.
BAND 1 DIGITAL GAIN	1A2A3A4R58	6-14	6-2	Adjusts counter for end of band frequency readout alignment for band 1.
BAND 4 DIGITAL SLOPE	1A2A3A4R60	6-17	6-2	Adjusts counter for mid-band frequency readout alignment for band 4.
BAND 3 DIGITAL SLOPE	1A2A3A4R63	6-16	6-2	Adjusts counter for mid-band frequency readout alignment for band 3.
BAND 2 DIGITAL SLOPE	1A2A3A4R66	6-15	6-2	Adjusts counter for mid-band frequency readout alignment for band 2.

Table 6-1. Adjustable Components (Continued)

Adjustment	Reference Designation	Paragraph	Figure No.	Function
BAND 1 DIGITAL SLOPE	1A2A3A4R69	6-14	6-2	Adjusts counter for mid-band frequency readout alignment for band 1.
BAND 5 DIGITAL GAIN	1A2A3A4R72	6-18	6-2	Adjusts counter for end of band frequency readout alignment for band 5.
+5 VDC	1A4A1R11	6-12	7-20	Adjusts voltage level
-18.3 VDC	1A4A1R25	6-12	7-20	Adjusts voltage level
+18.3 VDC	1A4A1R39	6-12	7-20	Adjusts voltage level
+24 VDC	1A4A1R53	6-12	7-20	Adjusts voltage level
+24 VDC	1A4A1R12	—	7-20A	Adjusts voltage level
+5 VDC	1A4A1R32	—	7-20A	Adjusts voltage level
+18 VDC	1A4A1R51	—	7-20A	Adjusts voltage level
-18 VDC	1A4A1R71	—	7-20A	Adjusts voltage level
BCD Switch	1A6S1	6-37	7-21	Calibrates digital offset
BAND GAIN 1	1A10A1R19	6-26	7-24	Adjusts band gain (VSA) 1
BAND GAIN 3	1A10A1R21	6-26	7-24	Adjusts band gain (VSA) 3
BAND GAIN 2	1A10A1R27	6-26	7-24	Adjusts band gain (VSA) 2
BAND GAIN 5	1A10A1R41	6-26	7-24	Adjusts band gain (VSA) 5
3 1 MHz FILTER	1A10A1A2L23	6-23, 6-26	7-25	Adjusts 1 MHz filter shape
2 1 MHz FILTER	1A10A1A2L24	6-23, 6-26	7-25	Adjusts 1 MHz filter shape
1 1 MHz FILTER	1A10A1A2L25	6-23, 6-26	7-25	Adjusts 1 MHz filter shape
FILTER GAIN ADJUST	1A10A1A2R12	6-23, 6-26	7-25	Sets gain of filter relative to the other filters
FILTER GAIN ADJUST	1A10A1A2R17	6-23, 6-26	7-25	Sets gain of filter relative to the other filters
FILTER GAIN ADJUST	1A10A1A2R19	6-23, 6-26	7-25	Sets gain of filter relative to the other filters
FILTER GAIN ADJUST	1A10A1A2R21	6-23, 6-26	7-25	Sets gain of filter relative to the other filters
6 1 MHz FILTER	1A10A1A3L23	6-23, 6-26	7-25	Adjusts 1 MHz filter shape
5 1 MHz FILTER	1A10A1A3L24	6-23, 6-26	7-25	Adjusts 1 MHz filter shape
4 1 MHz FILTER	1A10A1A3L25	6-23, 6-26	7-25	Adjusts 1 MHz filter shape
2 21.4 AMP	1A10A1A5C6	6-23	7-24	Peak for max IF sensitivity
IF GAIN ADJ	1A10A1A5R3	6-36	7-23	Adjust IF gain for best sensitivity
1 21.4 AMP	1A10A1A5C10	6-23	7-24	Peak for max IF sensitivity
3 21.4 AMP	1A10A1A5C34	6-23	7-24	Peak for max IF sensitivity
IF GAIN ADJ	1A10A1A5R9	6-23	7-26	Adjusted at final test for -15 dBm at top of screen
LC circuit	1A10A4C2	6-25	7-29	Adjusts for maximum signal amplitude and flatness of comb lines
3.5 MHz ADJUST	1A10A5L5	6-29	7-31	Adjusts frequency accuracy



Table 6-1. Adjustable Components (Continued)

Adjustment	Reference Designation	Paragraph	Figure No.	Function
FILTER ADJ	1A10A5A1C4	6-31	7-30	Adjusts 3.5 MHz bandpass characteristic
FILTER ADJ	1A10A5A1C7	6-31	7-30	Adjusts 3.5 MHz bandpass characteristic
FILTER ADJ	1A10A5A1C9	6-31	7-30	Adjusts 3.5 MHz bandpass characteristic
FILTER ADJ	1A10A5A1C12	6-31	7-30	Adjusts 3.5 MHz bandpass characteristic
FILTER ADJ	1A10A5A1C14	6-31	7-30	Adjusts 3.5 MHz bandpass characteristic
FILTER ADJ	1A10A5A1C19	6-31	7-30	Adjusts 3.5 MHz bandpass characteristic
3.5 MHz AMP ADJ	1A10A5A2R7	6-29	7-31	Sets amplitude of 3.5 MHz oscillator
COMB ADJUST	1A10A5A3C14	6-30	7-31	Sets combs for equal spacing and linearity
COMB ADJUST	1A10A5A3C19	6-30	7-31	Sets combs for equal spacing and linearity
COMB ADJUST	1A10A5A3C25	6-30	7-31	Sets combs for equal spacing and linearity
100 MHz OSC	1A10A5A4C6	6-32	7-31	Sets oscillator frequency
100 MHz AMP	1A10A5A4C12	6-32	7-31	Sets oscillator output level
100 MHz OUT TUNE	1A10A5A4C14	6-32	7-31	Sets oscillator output level
POSITION	1A10A6A1R17	6-27	7-27	Adjust for linearity and equal spacing every 1 MHz
SLOPE	1A10A6A1R18	6-27	7-27	Adjust for linearity and equal spacing every 1 MHz
GAIN	1A10A6A1R22	6-27	7-27	Adjust for linearity and equal spacing every 1 MHz
FEEDBACK	1A10A6A2C1	6-27	7-27	Adjusts frequency for 248 MHz output
MAIN TUNING	1A10A6A2C2	6-27	7-27	Adjusts frequency for 248 MHz output
FM SWEEP CAL	1A10A12R22	6-35	7-32	Calibrates 1 and 3 MHz scan widths
PRIMARY LOOPGAIN	1A10A12R32	6-33	7-32	Adjusts primary phase lock loop
SECONDARY LOOP 2 GAIN	1A10A12R36	6-33	7-32	Adjusts secondary phase lock loop
BAND 5 TUNE RATE	1A10A12R48	6-18	7-32	Adjusts Yig filter tuning offset for band 5
BAND 5 FILTER TRACK	1A10A12R51	6-18	7-32	Adjusts Yig filter tracking in band 5
LC1	1A10A18LC1	6-23	7-28	Tuned circuit, for maximum signal gain on display
DISP CRT ADJ	1A11R12	6-13	6-1 7-33	Centers signal on display for all scan widths
FULL RANGE MARK	1A11R18	6-20	6-1 7-33	Adjusts position of full range marker
GAIN ADJ	1A11R21	6-13	6-1 7-33	Adjusts horizontal gain to CRT

Table 6-1. Adjustable Components (Continued)

<b>Adjustment</b>	<b>Reference Designation</b>	<b>Paragraph</b>	<b>Figure No.</b>	<b>Function</b>
HIGH FREQ BLANK	1A11R42	6-19	6-1 7-33	Clips high end of sweep
LOW FREQ BLANK	1A11R43	6-19	6-1 7-33	Clips low end of sweep
EXP OFF	1A12R8	6-38	6-1 7-34	Adjusts vertical position in reference mode
EXP GAIN	1A12R22	6-38	6-1 7-34	Adjusts vertical gain in reference mode
BAL	1A12R24	6-13	6-1 7-34	Adjusts display baseline to eliminate variation between amplitude ranges
LOG GAIN	1A12R25	6-13	6-1 7-34	Adjusts display vertical gain to change one graticule per 10 dB of IF attenuation
LIN OFF	1A12R31	6-21	6-1 7-34	Adjusts vertical position of signal in linear mode
LIN SHAPE	1A12R32	6-21	6-1 7-34	Adjusts shape of signal in linear mode
VIDEO OFF	1A12R36	6-39	6-1 7-34	Adjusts level of video signal to rear panel connector J6
LIN GAIN	1A12R47	6-21	6-1 7-34	Vertically compresses or expands signal when in linear mode
BAND 1 ADJ	1A13R2	6-14	6-1 7-35	Adjusts band 1 mixer bias
BAND 2 ADJ	1A13R3	6-15	6-1 7-35	Adjusts band 2 mixer bias
BAND 3 ADJ	1A13R4	6-16	6-1 7-35	Adjusts band 3 mixer bias
BAND 4 ADJ	1A13R5	6-17	6-1 7-35	Adjusts band 4 mixer bias
BAND 5 ADJ	1A13R6	6-18	6-1 7-35	Adjusts band 5 mixer bias
OFFSET NULL ADJ	1A13R15	6-34	6-1 7-35	Adjusts position of signal when auto centering is enabled
BAND GAIN ADJ	1A13R35	6-34	6-1 7-35	Adjusts total gain of auto centering circuit
+6 V REF ADJ	1A13R37	6-12	6-1 7-35	Adjusts +6 V reference
-6 V REF ADJ	1A13R38	6-12	6-1 7-35	Adjusts -6 V reference

Table 6-1. Adjustable Components (Continued)

Adjustment	Reference Designation	Paragraph	Figure No.	Function
X GAIN	1A19R6	6-41	6-1 7-41	Adjusts the horizontal gain of the characters and digital waveform
X OFFSET	1A19R7	6-41	6-1 7-41	Adjusts the horizontal offset of the characters and digital waveform
Y GAIN	1A20R5	6-41	6-1 7-42	Adjusts the vertical gain of the characters and digital waveform
LINE OFFSET	1A20R38	6-41	6-1 7-42	Adjusts the width of horizontal lines of the digital waveform
LINE LENGTH	1A20R39	6-41	6-1 7-42	Adjusts the length of the line adjoining two consecutive points of the digital waveform
WAVE OFFSET	1A20R40	6-41	6-1 7-42	Adjusts the vertical position of the digital waveform
Y OFFSET	1A20R41	6-41	6-1 7-42	Adjusts the vertical offset of the characters and digital waveform
DIGITAL INTENSITY OFFSET	1A20R42	6-41	6-1 7-42	Adjusts the relative intensity of different line lengths of the digital waveform
BYPASS INTENSITY GAIN	1A20R43	6-41	6-1 7-42	Adjusts the intensity of the analog bypass waveform
WAVEFORM CAL SWITCH	1A20S1	6-40	6-1 7-42	Provides an internal calibrate signal
RAMP GAIN	1A21R30	6-43	6-1 7-43	Adjusts the horizontal gain of the signal on the digital waveform
VIDEO OFFSET	1A21R31	6-42, 6-44	6-1 7-43	Adjusts the vertical position of the signal on the digital waveform
VIDEO GAIN	1A21R32	6-42, 6-44	6-1 7-43	Adjusts the vertical gain of the signal on the digital waveform
RAMP OFFSET	1A21R33	6-43	6-1 7-43	Adjusts the horizontal position of the signal on the digital waveform



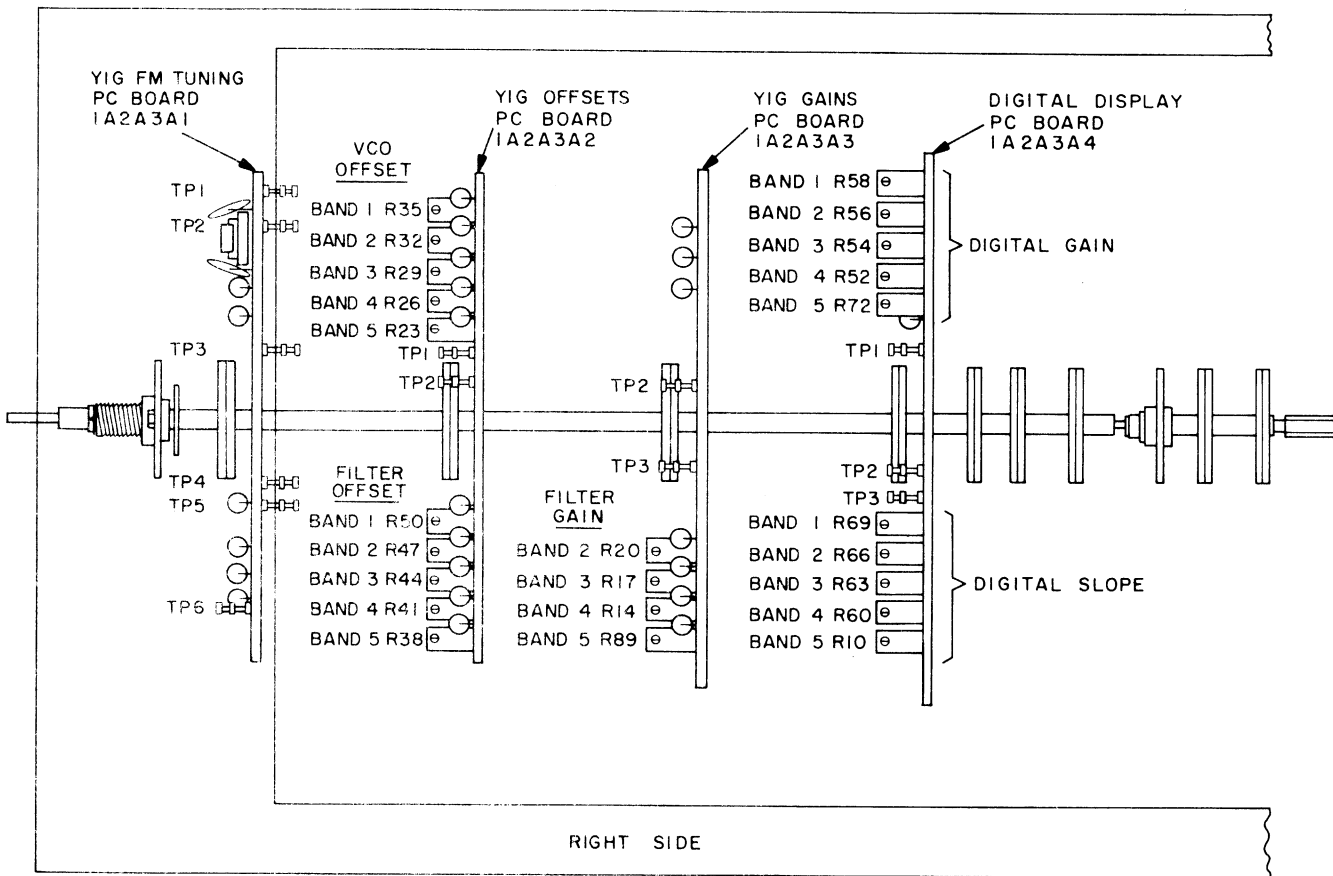


Figure 6-2. Adjustable Component and Test Point Location Diagram for RF Range Switch Assemblies 1A2A3A1 Through 1A2A3A4

3. Connect a digital voltmeter between test point A13TP5 on Regulator Bias Printed Circuit Board 1A13 and chassis ground. Adjust +6V REF ADJ potentiometer 1A13R37 on Regulator Bias Printed Circuit Board 1A13 (Figure 6-1) for a +6 ±0.005 Vdc reading.

**6-13. HORIZONTAL AND VERTICAL ALIGNMENTS.** To perform the horizontal and vertical alignments, proceed as follows:

1. Connect an AILTECH 70790 Comb Generator or equivalent to the RF INPUT connector on front panel of the AILTECH 757 Spectrum Analyzer.

2. Set the front panel controls to the following positions:

RF RANGE (GHz)	.001 – 2.0
RF ATTEN (dB)	10 [If 001 option is included this setting should be 20 dB for band 1 alignment]
IF ATTEN (dB)	10
SCAN WIDTH/DIV	200 MHz
SCAN WIDTH vernier	CAL
IF BANDWIDTH (KHz)	<b>AUTO</b>
EXPAND	NOISE

VAR VIDEO BW	Fully clockwise
VERT SCALE/DIV	<input type="text" value="10"/>
SCAN MODE	<input type="text" value="AUTO"/>
DOMAIN	FREQ
BASELINE	Maximum counter-clockwise
SCAN TIME/DIV	<input type="text" value="3"/>
SCAN TIME vernier	CAL
CALIBRATE	Off
CONTRAST	Maximum counter-clockwise
FULL RANGE	OFF
SIGNAL CENTER	Centered
PRESELECTOR	IN
TUNING	Adjust to center trace on display
FREQ ADJ	Centered
BYPASS	On

3. Twenty comb lines should appear on the display. If not, adjust BAND 1 FILTER OFFSET potentiometer 1A2A3A2R50 (Figure 6-2) on Yig Offset Board (part of RF Range Switch Assembly 1A2A3) until 20 comb lines appear. Two settings are possible; the most clockwise setting is correct.

4. Adjust horizontal control  $\longleftrightarrow$  on front panel until trace begins on first graticule line (overlap on right side is normal).

5. Set SCAN WIDTH/DIV control to 100 MHz position. Adjust GAIN ADJ potentiometer 1A11R21 in Sweep Generator Printed Circuit Board 1A11 (Figure 6-1) while monitoring A11TP2 on an oscilloscope and set the sweep excursions for approximately 1.4 volt displacement. Adjust HORZ GAIN control on Front Panel so that each 100 MHz comb line falls on a graticule line. (Some adjustment of the TUNING control will be necessary to cause the first comb line to fall on first graticule line.)

6. Disconnect AILTECH 70790 Comb Generator. Adjust TUNING control to approximately 0 MHz until band 1 zero beat frequency signal is in the center of the display. Set SCAN WIDTH/DIV control to  MHz position and recenter signal. Set SCAN WIDTH/DIV to 200 MHz position; zero beat should stay in center of display. If not, adjust DISP CRT ADJ potentiometer 1A11R12 in Sweep Generator Printed Circuit Board 1A11 (Figure 6-1).

**NOTE**

Adjust potentiometer 1A11R12 only when the SCAN WIDTH/DIV control is in the 200 MHz position.

7. Turn TUNING control to center zero beat when the SCAN WIDTH/DIV control is set to  MHz. Repeat above procedure (step 6) until signal remains centered as SCAN WIDTH/DIV is rotated.

8. Turn VAR VIDEO BW control counterclockwise approximately half way. Adjust BAL potentiometer 1A12R24 on Processed Video Printed Circuit Board 1A12 (Figure 6-1) until there is no baseline movement when the VERT SCALE/DIV is rotated between the 2, 5, and  positions with the IF ATTEN (dB) control set to 100 dB position. Return the IF ATTEN (dB) control to 10 dB and adjust the vertical position control  $\downarrow$  on the front panel in order to place the baseline on the -102 dB line.

9. Monitor test point TP1 on Processed Video Printed Circuit Board 1A12 with an oscilloscope, and set IF ATTEN (dB) control so that the scope displays an inverted video signal with a displacement of 1 volt from the peak to the center of the noise. Move the scope probe to test point TP3 and set the VERT SCALE/DIV switch to the 5 dB/division position.

10. Adjust LOG GAIN potentiometer 1A12R25 on Processed Video Printed Circuit Board 1A12 (Figure 6-1) for an inverted video signal with a displacement of 1.4 volts from the peak to the center of the noise. Adjust both the front panel vertical position control  $\downarrow$  and VERT GAIN control so that the CRT displays a signal with the baseline on the -102 dB line and the peak of the signal on the 0 dB line. Set the VERT SCALE/DIV switch to  and rotate the IF ATTEN (dB) control in 10 dB steps. Each step should cause the peak of the signal to change by one vertical division on the CRT display. It may be necessary to readjust LOG GAIN potentiometer 1A12R25 in order to achieve this calibration.

**6-14. BAND 1 ALIGNMENT.** Set all controls as in paragraph 6-13 step 2 and proceed as follows:

1. Connect an AILTECH 70790 Comb Generator to RF INPUT connector on Front Panel and turn TUNING control to center trace on display. Ground test point 1A14TP1 on Digital Display Printed Circuit Board No. 2 1A14 (Figure 6-1) with a clip lead. This centers the band on the display and disables the TUNING. The CENTER FREQUENCY (MHz) readout should indicate 1000 MHz. If not, adjust BAND 1 DIGITAL SLOPE potentiometer 1A2A3A4R69 (Figure 6-2) on RF Range Switch Assembly 1A2A3 for the proper reading.

2. Locate 1000 MHz comb line by counting 10 lines up from the zero beat line. (Note: Zero beat line does not change amplitude when RF ATTEN (dB) control is rotated.) The 1000 MHz line should fall in center of display. If not, adjust BAND 1 VCO OFFSET potentiometer 1A2A3A2R35 (Figure 6-2) on RF Range Switch Assembly 1A2A3. Adjust BAND 1 FILTER OFFSET potentiometer 1A2A3A2R50 (Figure 6-2) on RF Range Switch Assembly 1A2A3 for maximum amplitude.

3. Remove clip lead from test point TP1 on Digital Display Printed Circuit Board No. 2 1A14, set SCAN WIDTH/DIV to 10 and adjust TUNING to set zero beat signal to center of display. Adjust BAND 1 DIGITAL GAIN potentiometer 1A2A3A4R58 (Figure 6-2) on RF Range Switch Assembly 1A2A3 until CENTER FREQUENCY (MHz) readout indicates 0 MHz. Set SCAN WIDTH/DIV control to 200 MHz position, RF ATTEN (dB) control to 40 and TUNING control to 1000 MHz. Adjust BAND 1 ADJ potentiometer 1A13R2 on Regulator Bias Printed Circuit Board 1A13 (Figure 6-1) until all signal amplitudes on display are maximized.

**6-15. BAND 2 ALIGNMENT.** To perform the band 2 alignment, set controls as in paragraph 6-13, step 2 and proceed as follows:

1. Set RF RANGE (GHz) to 1.8 – 4.0 GHz, SCAN WIDTH/DIV to 200 MHz, and TUNING to 3000 MHz (as read on CENTER FREQUENCY (MHz) readout).

2. Adjust BAND 2 VCO and FILTER OFFSET potentiometers 1A2A3A2R47, and 1A2A3A2R32 respectively, on RF Range Switch Assembly 1A2A3 and FILTER GAIN potentiometer 1A2A3A3R20 (Figure 6-2), until 20 scan lines

appear on the display. These potentiometers should be adjusted for maximum gain at all comb signals displayed.

#### NOTE

There are two responses: one with the Yig VCO on low side of filter (incorrect) and one with the Yig VCO on high side of filter (correct). Clockwise turning of all offset potentiometers increases frequency; therefore, the most clockwise response of VCO OFFSET potentiometer R32 and the most counterclockwise response of Yig FILTER OFFSET potentiometer R47 is correct.

3. Ground test point 1A14TP1 on Digital Display Printed Circuit Board No. 2 1A14 with a clip lead (Figure 6-1). This centers the band on display and disables TUNING. CENTER FREQUENCY (MHz) readout should indicate 3000 MHz; if not, adjust BAND 2 DIGITAL SLOPE potentiometer 1A2A3A4R66 (Figure 6-2) on RF Range Switch Assembly 1A2A3.

4. Locate 3000 MHz signal line on the display with a signal generator or frequency meter as in test setup of Figure 4-5. Adjust R32 (Figure 6-2) on RF Range Switch Assembly 1A2A3 to move this line to center of the display as SCAN WIDTH/DIV is decreased to 10 MHz per division. R47 must be adjusted simultaneously in order to maintain peak response.

5. Returning SCAN WIDTH/DIV to 200 MHz, adjust BAND 2 FILTER GAIN potentiometer R20 (Figure 6-2) on RF Range Switch Assembly 1A2A3 until maximum amplitude occurs for all 20 lines displayed. It should be noted that these adjustments are optimized when SIGNAL CENTER control is at the center of its range.

6. Remove the clip lead from test point TP1 on Digital Display Printed Circuit Board No. 2 1A14 and ensure that 3000 MHz is still centered on the display. Adjust TUNING control if not centered. With SCAN WIDTH/DIV at 30 MHz, rotate TUNING control slowly counterclockwise and count 100 MHz comb lines until the 2000 MHz line (band 2 lower calibration point) is identified. Set SCAN WIDTH/DIV to 10 MHz per division and center this line. Adjust BAND 2 DIGITAL GAIN potentiometer 1A2A3A4R56 (Figure 6-2) on RF Range Switch Assembly 1A2A3 until CENTER

FREQUENCY (MHz) readout indicates 2000 MHz. With a frequency meter or signal generator, verify that the comb line is indeed 2000 MHz.

7. Return SCAN WIDTH/DIV to 200 MHz position and TUNING to 3000 MHz. Adjust BAND 2 ADJ potentiometer 1A13R3 (Figure 6-1) on Regulator Bias Printed Circuit Board 1A13 for optimum gain at all comb signals displayed.

**6-16. BAND 3 ALIGNMENT.** To perform the band 3 alignment, set controls as in paragraph 6-13, step 2 and proceed as follows:

1. Set RF RANGE (GHz) to 3.3 – 8.3 GHz position, SCAN WIDTH/DIV to 200 MHz per division, TUNING control to 5800 MHz (as read on CENTER FREQUENCY (GHz) readout), and RF ATTEN (dB) control to 0 position.

2. Adjust BAND 3 VCO and FILTER OFFSET potentiometers and BAND 3 FILTER GAIN potentiometer 1A2A3A2R29, 1A2A3A2R44, and 1A2A3A3R17 on RF Range Switch Assembly 1A2A3 (Figure 6-2) until 50 scan lines appear on the display at maximum amplitude.

#### NOTE

There are two responses: one with the Yig VCO on the low side of the filter (incorrect) and one with the Yig VCO on the high side of the filter (correct). Clockwise turning of all offset potentiometers increases frequency; therefore, the most clockwise response of potentiometer R29 and the most counterclockwise response of potentiometer R44 is correct.

3. Ground test point 1A14TP1 on Digital Display Printed Circuit Board No. 2 1A14 with a clip lead (Figure 6-1). CENTER FREQUENCY (MHz) readout should indicate 5800 MHz, if not, adjust BAND 3 DIGITAL SLOPE potentiometer 1A2A3A4R63 (Figure 6-2) on RF Range Switch Assembly 1A2A3.

4. Locate 5800 MHz line (center frequency, band 3) with signals generator or frequency meter. Adjust potentiometers R29 and R44 (Figure 6-2)

on RF Range Switch Assembly 1A2A3 to move this line to center of screen as SCAN WIDTH/DIV is decreased to 10 MHz per division.

5. Set SCAN WIDTH/DIV to 500 MHz per division and adjust BAND 3 FILTER OFFSET and BAND 3 FILTER GAIN potentiometers 1A2A3A2R44 and 1A2A3A3R17 (Figure 6-2) on RF Range Switch Assembly 1A2A3 until maximum amplitude is displayed for all comb lines. It should be noted that these adjustments are optimized when SIGNAL CENTER control is at the center of its range.

6. Remove the clip lead from test point TP1 on Digital Display Printed Circuit Board No. 2 1A14 and verify that 5800 MHz is still in the center of the display. Adjust TUNING control if not centered. With SCAN WIDTH/DIV at 30 MHz, rotate TUNING control slowly counterclockwise and count 100 MHz comb lines until the 4800 MHz line (band 3 lower calibration point) is identified. Set SCAN WIDTH/DIV to 10 MHz per division and center this line. Adjust BAND 3 DIGITAL GAIN potentiometer 1A2A3A4R54 (Figure 6-2) on RF Range Switch Assembly 1A2A3 until CENTER FREQUENCY (MHz) readout indicates 3300 MHz. With a frequency meter or signal generator, verify that the comb line is indeed 3300 MHz. With a frequency meter or signal generator, SET SCAN WIDTH/DIV to 200 MHz and RF ATTEN (dB) control to 20.

7. Set TUNING to 5800 MHz and adjust BAND 3 ADJ potentiometer 1A13R4 on Regulator Bias Printed Circuit Board 1A13 (Figure 6-1) for optimum gain at all comb signals displayed.

**6-17. BAND 4 ALIGNMENT.** To perform the band 4 alignment set controls as in paragraph 6-13, step 2, and proceed as follows:

1. Set RF RANGE (GHz) to 5.4 – 12.4 GHz position, SCAN WIDTH/DIV to 200 MHz, TUNING control to 8900 MHz (as read on CENTER FREQUENCY (MHz) readout) and RF ATTEN (dB) control to 0 position.

2. Adjust BAND 4 VCO and FILTER OFFSET potentiometer and BAND 4 FILTER GAIN potentiometers 1A2A3A2R26, 1A2A3A2R41, and 1A2A3A3R14 on RF Range Switch Assembly 1A2A3 (Figure 6-2) until 70 scan lines appear on the display at maximum amplitude.



**NOTE**

There are two responses: one with the Yig VCO on the low side of the filter (incorrect) and one with the Yig VCO on the high side of the filter (correct). Clockwise turning of all offset potentiometers increases frequency; therefore, the most clockwise response of potentiometer R26 and the most counterclockwise response of potentiometer R41 is correct.

3. Ground test point 1A14TP1 on Digital Display Printed Circuit Board No. 2 1A14 with a clip lead (Figure 6-1). CENTER FREQUENCY (MHz) readout should indicate 8900 MHz, if not, adjust BAND 4 DIGITAL SLOPE potentiometer 1A2A3A4R60 (Figure 6-2) on RF Range Switch Assembly 1A2A3.

4. Locate 8900 MHz line (center frequency, band 4) with signal generator or frequency meter. Adjust potentiometers R26 and R41 (Figure 6-2) on RF Range Switch Assembly 1A2A3 to move this line to center of display as SCAN WIDTH/DIV is decreased to 10 MHz.

5. Set SCAN WIDTH/DIV to 700 MHz per division and adjust potentiometer 1A2A3A3R14 on RF Range Switch Assembly 1A2A3 until maximum amplitude is displayed for all comb lines. (Note: It may be necessary to degauss the Yig components from the hysteresis buildup. This is accomplished by exercising the SCAN WIDTH/DIV control from the 700 MHz to 10 MHz positions at least once.) Readjust potentiometers R41 and R14 (Figure 6-2) until maximum amplitude is displayed for all comb lines. It should be noted that these adjustments are optimized when SIGNAL CENTER control is at the center of its range.

6. Remove the clip lead from test point TP1 on Digital Display Printed Circuit Board No. 2 1A14 and verify that 8900 MHz is still in the center of the display. Adjust TUNING control if not centered. With SCAN WIDTH/DIV at 30 MHz, rotate TUNING control slowly counterclockwise and count 100 MHz comb lines until the 5400 MHz line (band 4 lower calibration point) is identified. Center this line at 10 MHz per division and adjust BAND 4 DIGITAL GAIN potentiometer 1A2A3A4R52 (Figure 6-2) on RF Range Switch Assembly 1A2A3 until CENTER FREQUENCY (MHz) readout indicates 5400 MHz. Set SCAN WIDTH/DIV to 500 MHz position and RF ATTEN (dB) control to 10 position.

7. Set TUNING to 8900 MHz and adjust BAND 4 ADJ potentiometer 1A13R5 on Regulator Bias Printed Circuit Board 1A13 (Figure 6-1) for optimum gain at all comb signals displayed.

**6-18. BAND 5 ALIGNMENT.** To perform the band 5 alignment, set controls as in paragraph 6-13, step 2 and proceed as follows:

1. Set RF RANGE (GHz) to 10 – 22 GHz position, SCAN WIDTH/DIV to 700 MHz, TUNING control to 16000 MHz (as read on CENTER FREQUENCY (GHz) readout), and RF ATTEN (dB) control to 0 position.

2. Adjust BAND 5 VCO and FILTER OFFSET potentiometers and BAND 5 FILTER GAIN potentiometer 1A2A3A2R23, 1A2A3A2R38, and 1A2A3A3R89 on RF Range Switch Assembly 1A2A3 (Figure 6-2) until 120 scan lines appear on the display at maximum amplitude.

**NOTE**

There are two responses: one with the Yig VCO on the low side of the filter (incorrect) and one with the Yig VCO on the high side of the filter (correct). Clockwise turning of all offset potentiometers increases frequency; therefore, the most clockwise response of potentiometer R23 is correct, and the most counterclockwise response of potentiometer R38 is correct.

3. Ground test point 1A14TP1 on Digital Display Printed Circuit Board No. 2 1A14 with a clip lead (Figure 6-1). CENTER FREQUENCY (MHz) readout should indicate 16000 MHz; if not, adjust BAND 5 DIGITAL SLOPE potentiometer 1A2A3A4R10 (Figure 6-2) on RF Range Switch Assembly 1A2A3.

4. Locate 16000 MHz line (center frequency, band 5) with signal generator or frequency meter. Adjust potentiometers R23 and R38 on RF Range Switch Assembly 1A2A3 to move this line to center of display as SCAN WIDTH/DIV is decreased to 10 MHz.

5. Set SCAN WIDTH/DIV to 700 MHz per division and adjust potentiometer 1A2A3A3R89 on RF Range Switch Assembly 1A2A3 until maximum amplitude is displayed for all comb lines. (Note: It may be necessary to degauss the Yig components from the hysteresis buildup. This is accomplished

by exercising the SCAN WIDTH/DIV control from the 700 MHz to 10 MHz positions at least once.) Readjust potentiometers R23 and R89 (Figure 6-2) until maximum amplitude is displayed for all comb lines. It should be noted that these adjustments are optimized when SIGNAL CENTER control is at the center of its range.

6. Remove the clip lead from test point TP1 on Digital Display Printed Circuit Board No. 2 1A14 and verify that 16000 MHz is still in the center of the display. Adjust TUNING control if not centered. With SCAN WIDTH/DIV at 30 MHz per division, rotate TUNING control slowly counterclockwise and count 100 MHz comb lines until the 10000 MHz line (band 5 lower calibration point) is identified. Center this line at 10 MHz per division and adjust BAND 5 DIGITAL GAIN potentiometer 1A2A3A4R72 (Figure 6-2) on RF Range Switch Assembly 1A2A3 until CENTER FREQUENCY (MHz) readout indicates 10000 MHz. Set SCAN WIDTH/DIV to 700 MHz.

7. Set TUNING to 16000 MHz and adjust BAND 5 ADJ potentiometer 1A13R6 on Regulator Bias Printed Circuit Board 1A13 (Figure 6-1) and potentiometer 1A10A12R48 on Yig Driver Printed Circuit board 1A10A12 (Figure 7-32) until all signals are maximized.

8. Set FULL RANGE control to the ON position. It may appear that the signal tracking has changed by rolling off at the high and low ends. To correct this, adjust potentiometer 1A10A12R51 on Yig Driver Printed Circuit Board 1A10A12 (Figure 7-32) for optimum tracking for band 5 only.

**6-19. END BAND LIMITS ADJUSTMENT.** To perform the end band limits adjustment, proceed as follows:

1. Set the front panel switches and controls to the following settings:

RF RANGE (GHz)	3.3 – 8.3
RF ATTEN (dB)	0
IF ATTEN (dB)	10
SCAN WIDTH/DIV	200 MHz
IF BANDWIDTH (KHz)	<span style="border: 1px solid black; padding: 2px;">AUTO</span>

VAR VIDEO BW	Fully clockwise
VERT SCALE/DIV	<span style="border: 1px solid black; padding: 2px;">10</span>
SCAN MODE	<span style="border: 1px solid black; padding: 2px;">AUTO</span>
BASELINE	Fully counterclockwise
CONTRAST	Fully counterclockwise
FULL RANGE	OFF
SIGNAL CENTER	Centered
TUNING	CENTER FREQUENCY (MHz) readout should read 3300 MHz
BYPASS	On

2. Adjust LOW FREQ BLANK potentiometer R43 (Figure 6-1) on Sweep Generator Printed Circuit Board 1A11 to blank all signals below 3300 MHz.

3. Set the TUNING control until CENTER FREQUENCY (MHz) readout indicates 8900 MHz. Adjust HIGH FREQ BLANK potentiometer R42 (Figure 6-1) on Sweep Generator Printed Circuit Board 1A11 to blank all signals above 8900 MHz.

4. Verify that 10 GHz and 22 GHz signals are present in band 5 and are not being blanked out. Adjust LOW FREQ BLANK potentiometer R43 on 1A11 if the 10 GHz signal is missing and HIGH FREQ BLANK potentiometer R42 on 1A11 if the 22 GHz signal is missing.

**6-20. FULL RANGE MARKER ALIGNMENT.** To perform the full range marker alignment, proceed as follows:

1. Set the front panel switches and controls to the following settings:

RF RANGE (GHz)	1.8 – 4.0
RF ATTEN (dB)	0
IF ATTEN (dB)	10

SCAN WIDTH/DIV	200 MHz	VERT SCALE/DIV	2 LOG
IF BANDWIDTH (KHz)	<input type="text" value="AUTO"/>	SCAN MODE	<input type="text" value="AUTO"/>
VAR VIDEO BW	Fully clockwise	BASELINE	Fully counterclockwise
VERT SCALE/DIV	<input type="text" value="10"/>	CONTRAST	Fully counterclockwise
SCAN MODE	<input type="text" value="AUTO"/>	FULL RANGE	OFF
BASELINE	Fully counterclockwise	SIGNAL CENTER	Centered
CONTRAST	Fully counterclockwise	TUNING	CENTER FREQUENCY (MHz) readout should read 3000 MHz
FULL RANGE	ON	BYPASS	On
SIGNAL CENTER	Centered		
TUNING	CENTER FREQUENCY (MHz) readout should read 3000 MHz		
BYPASS	On		

2. Marker should be sitting in center of 3000 MHz line. Turn TUNING control so that CENTER FREQUENCY (MHz) readout indicates 3600 MHz. Adjust FULL RANGE MARK potentiometer R18 (Figure 6-1) on Sweep Generator Printed Circuit Board 1A11 so that the marker sits in the center of the 3600 MHz comb line. Set FULL RANGE switch to the OFF position.

**6-21. LINEAR ADJUSTMENT.** To perform the linear adjustment, proceed as follows:

1. Set the front panel switches and controls to the following settings:

RF RANGE (GHz)	1.8 – 4.0
RF ATTEN (dB)	0
IF ATTEN (dB)	As required
SCAN WIDTH/DIV	<input type="text" value="10"/>
IF BANDWIDTH (KHz)	<input type="text" value="AUTO"/>
VAR VIDEO BW	Fully clockwise

2. Set IF ATTEN (dB) control so that the amplitude of the 3000 MHz comb line just reaches the top of the display. Turn VERT SCALE/DIV switch to the LIN position. Adjust potentiometers R31 (LIN OFF), R32 (LIN SHAPE), and R47 (LIN GAIN), on Processed Video Printed Circuit Board 1A12 (Figure 6-1) so that the absolute amplitude of the signal and baseline is the same in LIN as in the 2 dB/div position and that an increase of 10 dB in IF attenuation in the LIN position will cause the signal to drop to the 68 dB graticule line on the display.

**6-22. CATHODE RAY TUBE ALIGNMENT.** Refer to Section 9 for the cathode ray tube alignment procedure.

**6-23. IF PROCESSOR ASSEMBLY 1A10A1 ALIGNMENT.** IF Processor Assembly 1A10A1 (Figure 7-24) consists of five subassemblies: Mixer 1A10A1A4, IF Amplifier 1A10A1A5, the first set of IF filters 1A10A1A3, IF Processor 1A10A1A1 (which contains the voltage select attenuators), and the last set of IF Filters 1A10A1A2. Alignment of the system consists of peaking IF amplifier 1 21.4 AMP capacitor 1A10A1A5C10 and peaking 3 21.4 AMP and 2 21.4 AMP capacitors C34 and C6 on IF Processor Board 1A10A1A1. These three capacitors should be peaked for maximum amplitude. In addition, IF GAIN ADJ potentiometer R9 on IF Amplifier Board 1A10A1A5 is adjusted at system level to achieve the proper IF gain. For each 1 MHz

filter there are three inductors identified on Figure 7-24 as L25 1, L24 2, L23 3, and L25 4, L24 5 and L23 6. These inductors are adjusted to achieve a 1 MHz bandwidth filter with a 5:1 shape factor. The BAND GAIN 2, 3, 5, 1 voltage select attenuators on the IF Processor Board 1A10A1A1 are adjusted to compensate for the variation in conversion loss in each band. The last adjustment of IF Processor Assembly 1A10A1 is to set the FILTER GAIN ADJUST potentiometers R12, R17, R19 and R21. These adjustments balance out the IF filters to compensate for any loss in each of the filters.

**6-24. RF AMPLIFIERS 1A10A18 AND 1A10A31 ADJUSTMENT.** RF amplifiers 1A10A18 and 1A10A31 (Figure 7-28) have only one adjustment, LC1. This (LC1) is a tuned circuit and should be adjusted for maximum signal gain on the display of the 757 Spectrum Analyzer.

1. Set the front panel switches and controls to the following settings:

RF RANGE (GHz)	1.8 – 4.0
RF ATTEN (dB)	20
IF ATTEN (dB)	10
SCAN TIME/DIV	<input type="text" value="3"/>
IF BANDWIDTH (KHz)	<input type="text" value="AUTO"/>
VERT SCALE/DIV	<input type="text" value="10"/>
SCAN WIDTH/DIV	200 MHz
SCAN MODE	<input type="text" value="AUTO"/>
SIGNAL CENTER	Centered
FULL RANGE	OFF
BYPASS	On

2. Connect an AILTECH 70790 Comb Generator to the RF INPUT connector on the front panel 1A2.

3. Adjust the front panel TUNING control for a 3000 MHz reading on the CENTER FREQUENCY (MHz) readout.

4. Adjust LC1 in RF amplifiers 1A10A18 and 1A10A31 for maximum signal gain on the 757 Spectrum Analyzer display.

**6-25. MIXER BIAS 1A10A4 ADJUSTMENT.** Mixer Bias 1A10A4 (Figure 7-29) consists of an LC circuit.

1. Set the front panel switches and controls as indicated in paragraph 6-24 step 1.

2. Capacitor C2 should be adjusted for maximum signal amplitude and flatness of all comb lines.

**6-26. FILTER RESPONSE VERIFICATION AND ADJUSTMENTS.** To perform the filter response verification procedure, proceed as follows:

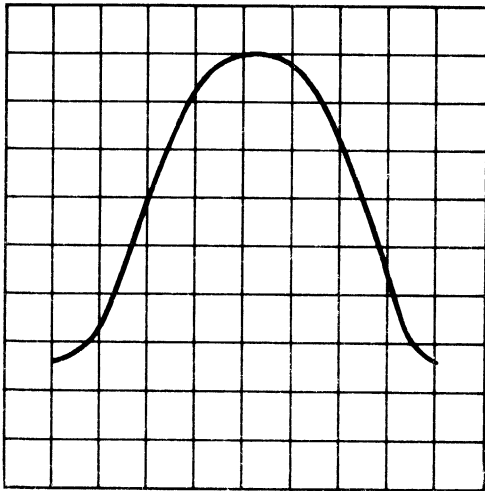
1. With the IF BANDWIDTH (KHz) switch in the  position and the SCAN TIME/DIV switch in  position, refer to the following table and verify that the proper filters are being chosen as indicated by the front panel LEDs.

SCAN WIDTH/DIV	Filter Chosen
700 through 10 MHz	1 MHz
3 MHz through 300 kHz	100 KHz
100 through 30 kHz	10 KHz
10 through 1 kHz	1 KHz

2. Set the front panel switches and controls to the following settings:

RF RANGE (GHz)	1.8 – 4.0
RF ATTEN (dB)	20
IF ATTEN (dB)	10
SCAN TIME/DIV	<input type="text" value="3"/>
IF BANDWIDTH (KHz)	1000
VERT SCALE/DIV	<input type="text" value="10"/>
SCAN WIDTH/DIV	1 MHz
SCAN MODE	<input type="text" value="AUTO"/>
SIGNAL CENTER	Centered
FULL RANGE	OFF
BYPASS	On

3. Using an AILTECH 70790 Comb Generator as an RF input signal, verify the waveshape of the 1 MHz filter by rotating the front panel TUNING control to place the following waveform in the center of the display.



1 MHz Waveform

4. If the waveshape is irregular, it can be tuned by varying the two sets of 1 MHz filters, inductors L23, 24 and 25 on IF Filter Assemblies 1A10A1A2 and 1A10A1A3, until a smooth waveshape is obtained.

5. To verify the gain of all four IF filters change the IF BANDWIDTH switch to **AUTO** position, then set the SCAN WIDTH/DIV switch to the 1 KHz per division position while maintaining a signal in the center of the display. Position the IF BANDWIDTH (KHz) switch to 1; adjust IF ATTEN (dB) control for a convenient reference on the display. Set the IF BANDWIDTH (KHz) switch to 10. The level of the 10 KHz filter should be the same as the 1 KHz potentiometer R21; if not, adjust the 10 KHz FILTER GAIN ADJUST potentiometer R19 until the level is the same as the reference. Set IF BANDWIDTH (KHz) switch to the 100 position. The signal should be on the same reference line as the 1 KHz level. Adjust the 100 KHz FILTER GAIN ADJUST potentiometer R17 until the level is the same as the reference. Repeat the procedure for the 1 MHz IF filter by adjusting the 1 MHz FILTER GAIN ADJUST potentiometer R12. By rotating the IF

BANDWIDTH (KHz) switch between 1 and 1000 KHz, the level should be the same within  $\pm 2$  dB.

#### NOTE

When performing steps 6 through 9 verify that the Yig filter is tracking properly by peaking the signal. This is accomplished by varying the SIGNAL CENTER control for maximum amplitude of the signal in each band.

6. The voltage select attenuators (VSA) control the absolute video gain between bands. They are set as follows. Set the SCAN WIDTH/DIV switch to **10** MHz per division and the RF RANGE (GHz) switch to 5.4 – 12.4 GHz (band 4) and set RF ATTEN (dB) control to 0. Set the TUNING control so that the CENTER FREQUENCY (MHz) readout indicates 8900 MHz. Vary the IF ATTEN (dB) control so that a convenient reference can be set on the display. Vary the AMPL ADJ control on the front panel so that the REF LEVEL on the display is correct for the 8900 MHz calibration signal as indicated on the calibration chart. Set the RF RANGE (GHz) switch to the 10 – 22 GHz range (band 5). Set the TUNING control so that the CENTER FREQUENCY (MHz) readout indicates 16000 MHz. The REF LEVEL on the display should now be correct for the 16000 MHz signal on the calibration chart. If necessary adjust BAND 5 GAIN potentiometer 1A10A1R41 to achieve this calibration.

7. Set the RF RANGE (GHz) switch to 3.3 – 8.3 GHz (band 4). Set the TUNING control so that the CENTER FREQUENCY (MHz) readout indicates 5800 MHz. The REF LEVEL on the display should now be correct for the 5800 MHz signal on the calibration chart. If necessary adjust BAND 3 GAIN potentiometer 1A10A1R21 to achieve this calibration.

8. Set the RF ATTEN (dB) control to 10 and set the RF RANGE (GHz) switch to 1.8 – 4.0 (band 2). Set the TUNING control so that the CENTER FREQUENCY (MHz) readout indicates 3000 MHz. The REF LEVEL on the display should now be correct for the 3000 MHz signal on the calibration chart. If necessary adjust BAND 2 GAIN potentiometer 1A10A1R27 to achieve this calibration.

**NOTE**

If the instrument is equipped with a 001 Increased Sensitivity option, an additional 20 dB of RF attenuation must be selected whenever the RF RANGE (GHz) switch is set to band 1 position.

9. Set the RF ATTEN (dB) control to 20 and set the RF RANGE (GHz) switch to .001 – 2.0 (band 1). Set the TUNING control so that the CENTER FREQUENCY (MHz) readout indicates 1000 MHz. The REF LEVEL on the display should now be correct for the 1000 MHz signal on the calibration chart. If necessary adjust BAND 1 GAIN potentiometer 1A10A1R19 to achieve this calibration.

**6-27. LOCAL OSCILLATOR 1A10A6 ALIGNMENT.**



If the local oscillator fails to perform, special test equipment is required to properly align this assembly. Obtain a replacement assembly which is factory aligned and perform steps 2 and 3 to ensure system alignment.

1. Set the front panel switches and controls to the following positions:

RF RANGE (GHz)	1.8 – 4.0
RF ATTEN (dB)	0
IF ATTEN (dB)	0
SCAN TIME/DIV	3
IF BANDWIDTH (KHz)	100
VERT SCALE/DIV	10
SCAN WIDTH/DIV	1 MHz
SCAN MODE	AUTO
SIGNAL CENTER	Centered

FULL RANGE	OFF
BYPASS	On

2. Ground test point TP2 on Regulator Bias Printed Circuit Board 1A13.

3. Set SCAN WIDTH/DIV switch to 300 KHz per division. Disconnect cable W11 from 227 MHz Bandpass Filter 1A10A20 input and connect the output of an AILTECH 360 Frequency Synthesizer adjusted for 227.000 MHz at -30 dBm to connector 1A10A20J1.

4. Adjust MAIN TUNING capacitor C2 on LCVCO Oscillator II 1A10A6A2 (Figure 7-27) (part of Local Oscillator 1A10A6) to place the signal in the center of the display.

5. Disconnect the 360 Frequency Synthesizer connected in step 3 and connect a HP8406 Comb Generator set for 1 MHz comb lines to connector 1A10A20J1.

6. Rotate TUNING control on front panel of the 757 Spectrum Analyzer to place one of the displayed signals to the left most graticule.

7. Adjust TUNING control and GAIN potentiometer R22 on LCVCO Shaper 1A10A6A1 to obtain exactly four 1 MHz lines.

**6-28. LOOP CONTROL 1A10A5 ALIGNMENT.**

Loop Control 1A10A5 (Figure 7-30) consists of four subassemblies; Loop Control 1A10A5A1, 3.5 MHz Oscillator 1A10A5A2, Comb Source 1A10A5A3 and 100 MHz Oscillator 1A10A5A4.

**6-29. 3.5 MHz Oscillator 1A10A5A2 Alignment.**

To verify the operation of 3.5 MHz Oscillator 1A10A5A2, set the unit into the phase lock mode (kHz position of SCAN WIDTH/DIV switch) and verify that the output power of 3.5 MHz Oscillator 1A10A5A2 is approximately +7 dBm ±0.5 dB. Adjust 3.5 MHz AMP ADJ potentiometer 1A10A5A2R7 to obtain proper power output. Verification of frequency can be achieved on a frequency counter. The crystal oscillator frequency should be 3.500000 ±10 Hz. To achieve this accuracy adjust the 3.5 MHz ADJUST inductor 1A10A5L5.

**6-30. Comb Source 1A10A5A3 Alignment.** To align Comb Source 1A10A5A3, proceed as follows:

1. Set the front panel switches and controls to the following positions:

RF RANGE (GHz)	1.8 – 4.0
RF ATTEN (dB)	0
IF ATTEN (dB)	10
IF BANDWIDTH (KHz)	<input type="text" value="AUTO"/>
SCAN TIME/DIV	<input type="text" value="3"/>
SCAN WIDTH/DIV	500 MHz
BYPASS	On
TUNING	CENTER FREQUENCY (MHz) readout should indicate 3 GHz

2. Refer to Figure 7-23 and place a clip lead between the -18 VDC terminal FL5 of Comb Source 1A10A5A3 on the Loop Control 1A10A5A1 and a source of -18 volts in the system.

3. Using Figure 7-23 for reference location, disconnect cable W1 from Fixed Attenuator 1A10A25J1 and connect a cable with low loss in the frequency range of 2 GHz to 4 GHz between connector 1A10A25J1 and RF INPUT connector on the front panel.

4. Adjust the IF ATTEN (dB) control to achieve a reference level readout on the display of 0 dBm.

5. Adjust COMB ADJUST capacitors C14, C19, and C25 (comb adjust 1, 2, and 3, respectively) on Comb Source 1A10A5A3 until a display similar to that in Figure 7-31 is obtained. Multiple adjustments of capacitors C14, C19, and C25 will be necessary in order to achieve this display. All of the display should occur between the 35 and 65 dB graticule as shown in Figure 7-31.

6. Set the SCAN WIDTH/DIV switch to  MHz per division and IF BANDWIDTH (KHz) switch to 100 KHz position.

7. Slowly tune the analyzer from 1.8 to 4.0 GHz and examine the comb lines for 2 MHz uniform spacing. There should not be any 1 MHz comb lines present when Comb Source 1A10A5A3 has been properly tuned. If there are, it will be necessary to repeat the previous steps and readjust COMB ADJUST capacitors C14, C19, and C25 until this does not occur.

8. Reconnect cable W1 to Fixed Attenuator connector 1A10A25J1 and remove clip lead from filter 1A10A5A3FL5.

**6-31. Loop Control 1A10A5A1 Alignment.** This assembly requires specialized alignment equipment and should be replaced if it becomes defective. In order to verify its correct operation the following procedure should be utilized.

1. Set the front panel switches and controls to the following positions:

RF RANGE (GHz)	.001 – 2.0
RF ATTEN (dB)	30
IF ATTEN (dB)	20
IF BANDWIDTH (KHz)	<input type="text" value="AUTO"/>
SCAN TIME/DIV	<input type="text" value="3"/>
SCAN WIDTH/DIV	1 MHz
TUNING	CENTER FREQUENCY (MHz) readout should indicate 3 MHz

2. Using Figure 7-23 for reference location, disconnect cable W3 from connector 1A10A5J1 (3.5 MHz INPUT) and connect a clip lead from filter 1A10A5FL2 to a -18.3 volt source. Connect a clip lead from filter 1A10A5FL1 to +18.3 volt source. Connect a signal generator (HP 606 or equivalent) tuned to 3.5 MHz at -20 dBm to connector 1A10A5J1 (3.5 MHz INPUT). Connect a clip lead from filter 1A10A5FL3 (8 Hz DIS) to ground.

3. Connect an oscilloscope probe to the RF INPUT connector on the front panel of the spectrum analyzer. Monitor 1A10A5 IF T.P. with the oscilloscope probe.

4. A signal should appear on the spectrum analyzer near the center of the display. Adjust the IF ATTEN (dB) control to place the peak of the signal on the 40 dB line of the display.

5. Reduce the output of the signal generator in dB steps until the signal on the analyzer reduces by at least 5 dB. Note the power out of the signal generator, this is the limiting level of the amplifier. The specified limiting level is -80 dBm. Therefore with a generator output greater than -80 dBm, the monitored signal should not decrease by 5 dB.

6. In order to verify the bandwidth of the amplifier, set the generator output level to -90 dBm and change the frequency of the generator both up and down in frequency until the monitored signal drops an additional 3 dB. The 3 dB bandwidth should be 3.25 MHz to 3.75 MHz (500 KHz bandwidth).

7. Remove the oscilloscope probe from test point 1A10A5 IF T.P. and the RF INPUT connector on the analyzer front panel. Connect the probe to an oscilloscope and monitor filter 1A10A5FL4. Remove the clip lead to ground from filter 1A10A5FL3 (8 Hz DIS). A sinewave of approximately 8 Hz with a peak-to-peak voltage greater than 1 volt should appear on the scope.

8. Remove all clip leads and reconnect cables W3 and W5.

**6-32. 100 MHz Oscillator 1A10A5A4 Alignment.**  
To align the 100 MHz Oscillator 1A10A5A4, proceed as follows referring to Figure 7-23:

**CAUTION**

Any adjustments of this oscillator will cause the calibration of the reference level to change. It will be necessary to perform paragraph 4-14 in the calibration section of this manual after adjusting this oscillator.

1. Disconnect the cable from connector 1A10A5A4J5 (100 MHz OUTPUT) and connect a 20 dB 2 watt attenuator to connector J5. Connect the output of the attenuator to a frequency counter.

2. Turn on the CALIBRATE signal on the spectrum analyzer front panel. Adjust 100 MHz OSC capacitor 1A10A5A4C6 for 100.000.000 MHz ±1000 Hz as indicated on the frequency counter.

3. Turn the CALIBRATE signal on and off several times to ensure that the oscillator will always turn-on.

4. Reconnect the cable that was disconnected in step 1 to connector 1A10A5A4J5.

5. Set the front panel switches and controls to the following positions:

RF RANGE (GHz)	1.8 – 4.0
RF ATTEN (dB)	10
IF ATTEN (dB)	10
IF BANDWIDTH (KHz)	AUTO
SCAN TIME/DIV	3
SCAN WIDTH/DIV	500 MHz
TUNING	CENTER FREQUENCY (MHz) readout should indicate 3000 MHz
CALIBRATE	On

6. Adjust the 100 MHz AMP capacitor 1A10A5A4C12 and 100 MHz OUT TUNE capacitor 1A10A5A4C14 for a group of 20 comb lines at the maximum and most equal amplitude.

7. Change the RF ATTEN (dB) control to 0 position and the SCAN WIDTH/DIV switch to 30 MHz. Ensure that only 3 comb signals appear, spaced 3.3 horizontal divisions apart, with no spurious signals appearing at low levels near the noise baseline. Readjustment of capacitors C12 and C14 may be required to eliminate any spurious signals.



**6-33. PHASE LOCK ALIGNMENT.** In order to perform the phase lock alignment, Loop Control 1A10A5 must be operating properly and be properly aligned (refer to paragraph 6-28). In addition, Loop Control 1A10A5 and associated mixers, RF cabling and hardware must be in proper operational order. When these prerequisites have been attained, align phase lock as follows:

1. Set the front panel switches and controls to their  AUTO  or standard operating positions:

RF RANGE (GHz)	1.8 – 4.0
TUNING	3000 MHz
CALIBRATE	On

2. Connect a clip lead from test point TP2 to ground on Regulator Bias Printed Circuit Board 1A13.

3. Refer to Figures 7-23 and 7-32 for adjustment locations.

4. Adjust PRIMARY LOOP GAIN and SECONDARY LOOP GAIN potentiometers R32 and R36 on Yig Driver PC Board 1A10A12 fully counterclockwise.

5. Disconnect cable W1 from Fixed Attenuator connector 1A10A25J1.

6. Adjust the front panel TUNING control in order to center the 3000 MHz signal on the display.

7. Set the SCAN WIDTH/DIV switch to 300 KHz and the SCAN TIME/DIV switch to 300 mSEC positions. Adjust the TUNING control in order to center the signal on the display.

8. Rotate PRIMARY LOOP GAIN potentiometer R32 clockwise until the signals on the display expand  $\pm 2.5$  divisions from the center of the display (Total of 5 divisions).

9. Rotate SECONDARY LOOP GAIN potentiometer R36 clockwise until the signals expand to fill the entire display (Total of 10 divisions).

10. Remove the clip lead from test point 1A13TP2 and ground and reconnect cable W1 to connector 1A10A25J1.

**6-34. AUTO CENTERING ALIGNMENT.** To perform the auto centering alignment, proceed as follows:

1. Set the RF RANGE (GHz) switch to 5.4 – 12.4 (band 4) with 8000 MHz in the center of the display and depress the CALIBRATE signal push-button.

2. Set the SCAN WIDTH/DIV switch to 100 MHz per division. Monitor test point TP2 on Regulator Bias Printed Circuit Board 1A13 (Figure 6-1) using a digital voltmeter.

3. Adjust OFFSET NULL ADJ potentiometer R15 on Regulator Bias Printed Circuit Board 1A13 (Figure 6-1) until the voltmeter indicates 0 V  $\pm 10$  mV.

4. Set SCAN WIDTH/DIV to 1 MHz per division and center a signal on the display of the 757 Spectrum Analyzer.

5. Set SCAN WIDTH/DIV to 300 KHz per division. The signal should move close to the center of the display. If it does not, adjust BAND GAIN ADJ potentiometer R35 on Regulator Bias Printed Circuit Board 1A13 (Figure 6-1) until the signal moves to the center of the display.

6. Set SCAN WIDTH/DIV to 1 MHz per division and center the signal.

7. Set SCAN WIDTH/DIV switch to 300 KHz per division. The signal should move back to within one division of offset from the center.

8. Verify that auto centering works in all five RF ranges by selecting a signal in each range and repeating steps 6 and 7. At step 7 the signal should move to within 2 divisions of offset from the center.

**6-35. FM CALIBRATION ALIGNMENT.** To perform the FM calibration alignment, proceed as follows:

1. Set SCAN WIDTH/DIV to 1 MHz per division, IF BANDWIDTH (KHz) switch to 10 KHz per division and RF RANGE (GHz) switch to 1.8 – 4.0 (band 2).

2. Using an HP8406A Comb Generator set at 1 MHz, ten lines should appear, one per division.

3. If ten lines do not appear at one per division, adjust FM SWEEP CAL ADJ potentiometer R22 on Yig Driver Board 1A10A12 to achieve this condition.

**6-36. IF GAIN ADJUSTMENT.** To perform this adjustment proceed as follows:



After making this adjustment it will be necessary to perform the adjustment procedures in paragraph 6-37 in order to restore an accurate reference level calibration.

1. Set the front panel switches and controls to their  **AUTO**  or standard operating positions:

RF RANGE (GHz)	1.8 – 4.0
IF ATTEN (dB)	0
IF BANDWIDTH (KHz)	1
VAR VIDEO BW	Fully counter-clockwise
CALIBRATE	Off

2. Refer to Figure 7-23 for adjustment locations and adjust IF GAIN ADJ potentiometer R3 on IF Amplifier PC Board 1A10A1A5 fully counter-clockwise. This action will move the noise baseline level towards the bottom of the display.

3. Slowly rotate IF GAIN ADJ potentiometer R3 in a clockwise direction until the noise baseline increases 1 to 2 dB. This is the optimum setting.

**6-37. POWER READOUT ADJUSTMENT.** To perform the power readout adjustment, proceed as follows:

1. Set AMPL ADJ control to mid-range, on the front panel. This is indicated by a position marker being vertical.

2. Verify that the VERT SCALE/DIV switch is set to  **10**  and all switches and controls are in their  **AUTO**  or standard operating positions.

RF RANGE (GHz)	1.8 – 4.0
TUNING	3000 MHz

3. Connect a signal generator set to 3000 MHz at -10 dBm to the spectrum analyzer front panel RF INPUT connector.

4. Vary the IF ATTEN (dB) control until the signal is on the -10 dB graticule line.

5. Set IF ATTEN (dB) control for 100 dB and verify that the noise is on the 102 dB graticule line. If not, vary the vertical offset control ↓ on the display until it is. Remove IF attenuation until the signal is again on the -10 dB graticule line.

6. Verify that the REF LEVEL alphanumeric reads 0 dBm. If not, readjust the BCD switch S1 on Absolute Power Board 1A6 or the AMPL ADJ control on the front panel until it does. The 757 Spectrum Analyzer is now calibrated for absolute power.

**6-38. EXPAND NOISE/REFERENCE ADJUSTMENT.** To perform the expand noise/reference adjustment, proceed as follows:

1. Set the front panel switches and controls to  **AUTO**  or standard operating positions.

RF RANGE (GHz)	1.8 – 4.0
TUNING	3000 MHz
CALIBRATE	On

2. Set the IF ATTEN (dB) control for 100 dB and verify that the noise is on the 102 dB graticule line. If not, vary the vertical offset control ↓ on the display until it is.

3. With the EXPAND control set to NOISE position, reduce the IF attenuation until the peak of the signal reaches the 0 dB line on the graticule.

4. Set the EXPAND control to REF position and adjust EXP OFF potentiometer R8 on Processed Video PC Board 1A12 to return the peak of the signal to the 0 dB line. The peak of the signal should remain on the 0 dB line as the EXPAND control is varied from NOISE to REF positions.

5. Set the EXPAND control to REF and VERT SCALE/DIV control to LOG 5, then LOG 2, and adjust EXP GAIN potentiometer R22 on Processed Video PC Board 1A12 in order to return the peak of the signal to the 0 dB line. Note that potentiometers R8 and R22 interact, therefore repeat steps 4 and 5 until the peak of the signal remains at the 0 dB line under all of the switch conditions.

**6-39. VIDEO OFFSET ADJUSTMENT.** To adjust the video offset, proceed as follows:

1. Using an oscilloscope, monitor the video output on the rear panel at connector J6.
2. Set IF ATTEN (dB) control to 100 dB position.
3. Establish a 0 volt reference on the oscilloscope.
4. Vary VIDEO OFF potentiometer R36 on the Processed Video Printed Circuit Board 1A12 (Figure 6-1) until the DC offset is less than 100 mV as displayed on the oscilloscope.
5. Reduce the IF attenuator setting.
6. Verify that as the noise increases the dc level on the oscilloscope moves in a positive direction.

**6-40. CRT CONTROLLER ALIGNMENT.** The following CRT controller alignment is to be performed when calibrating the 757 Spectrum Analyzer CRT Controller. Table 6-1 lists all the required adjustments along with their function and designation. Figure 6-3 is included to depict a properly calibrated CRT controller with WAVEFORM CAL SWITCH S1 on Pushbutton Interface/Line Generator Printed Circuit Board 1A20 in the ON position and with B VIEW A pushbutton depressed.

1. Set the front panel switches and controls to  AUTO or standard operating positions .

RF RANGE (GHz)	1.8 – 4.0
CALIBRATE	On
BYPASS	On

2. Depress the READOUT DISABLE pushbutton in order to extinguish the corresponding LED and light up the characters on the display as indicated in Figure 6-3.

#### **6-41. CHARACTER AND TOTAL DIGITAL VIDEO ALIGNMENT.**

1. Adjust X OFFSET R7 and X GAIN R6 potentiometers on Display Timing/Horizontal Output Printed Circuit Board 1A19 (Figure 6-1) so that the left edge of the character is just touching the left most vertical graticule line, and the last letter on the far right edge of the character is divided by the right most graticule line. See Figure 6-3.

2. Depress the BYPASS pushbutton to extinguish the corresponding LED and operate the 757 Spectrum Analyzer in the digital mode.

3. Turn on the digital calibration waveform (a full screen squarewave) by switching the WAVEFORM CAL SWITCH 1A20S1 to the ON position (Figure 6-1). The waveform should appear on the display.

4. Depress SIGNAL IN, A, and B VIEW A pushbuttons in this sequence to display the calibration waveform, and the corresponding horizontal line running through it (see Figure 6-4).

5. Adjust Y OFFSET potentiometer 1A20R41 (Figure 6-1) to center the characters vertically between the -10 and -40 graticule lines. Adjust WAVE OFFSET potentiometer 1A20R40 (Figure 6-1) to place the horizontal line that is running through the calibration waveform, on the center horizontal graticule line (-50 line). Adjust Y GAIN potentiometer 1A20R5 (Figure 6-1), such that the calibration squarewave extends 0.2 divisions past the top and bottom of the graticule line.

6. Adjust LINE OFFSET potentiometer 1A20R38 (Figure 6-1) such that the center line is as sharp and as narrow as possible.

7. Adjust LINE LENGTH potentiometer 1A20R39 (Figure 6-1) such that the vertical line joining the top and bottom of the squarewaves extend 0.2 divisions past the top and bottom of the graticule.

8. Adjust DIGITAL INTENSITY OFFSET potentiometer 1A20R42 (Figure 6-1) for identical intensity of the squarewave and the characters.

#### 6-42. WAVEFORM ALIGNMENT.

1. Turn the WAVEFORM CAL SWITCH 1A20S1 to the OFF position (Figure 6-1).

2. Depress the BYPASS pushbutton to light the corresponding LED and disable the digital mode.

3. Set the SCAN WIDTH/DIV control to 100 MHz per division. Adjust the front panel TUNING control so that the 100 MHz combs are aligned with the vertical graticule lines.

4. Depress the BYPASS, SIGNAL IN and A pushbuttons in this sequence to enable the digital mode. If no signals appear, adjust VIDEO OFFSET 1A21R31 and VIDEO GAIN 1A21R32 potentiometers (Figure 6-1) until signals do appear.

#### 6-43. FREQUENCY DISPERSION ADJUSTMENT.

1. Adjust RAMP OFFSET potentiometer 1A21R33 (Figure 6-1) until the left most comb line lines up to the left most graticule line. Confirm this result by depressing the BYPASS pushbutton to go back to the bypass mode, then depress it again to return to the digital mode, the 100 MHz signals should line up exactly.

2. Adjust RAMP GAIN potentiometer 1A21R30 until the other 100 MHz comb lines align with the vertical graticule line. Again, confirm this by switching out of, then into digital mode to ensure the comb lines match horizontally.

3. RAMP OFFSET and RAMP GAIN potentiometers will interact with one another, repeat steps 1 and 2.

#### 6-44. VIDEO ADJUSTMENT.

1. Depress the BYPASS pushbutton to disable the digital mode. Set the SCAN WIDTH/DIV control to  MHz. Adjust the front panel TUNING control to align a signal with the center graticule line. Set the IF ATTEN (dB) control to 100 and adjust the vertical position control  $\downarrow$  to place the center of the noise on the -102 line.

2. Readjust the IF ATTEN (dB) control to place the peak of the signal at the -50 reference line. Set the VERT SCALE/DIV control to 5 dB per division so the signal extends from the bottom to the top of the display.

3. Depress the BYPASS pushbutton to return the system to the digital storage mode.

4. Adjust VIDEO OFFSET potentiometer 1A21R31 so that the center of the noise is on the -102 line. Adjust VIDEO GAIN potentiometer 1A21R32 so that the signal peak is at the top line of the graticule. These potentiometers interact so they must be adjusted alternately.

5. Depress the BYPASS pushbutton to disable the digital storage mode.

6. Set the SCAN WIDTH/DIV control to 100 MHz per division and align the comb lines so there is one signal per vertical graticule line.

7. Depress the BYPASS pushbutton to go to digital and bypass modes a few times, and ensure the video picture is exactly the same in both modes, both vertically and horizontally.

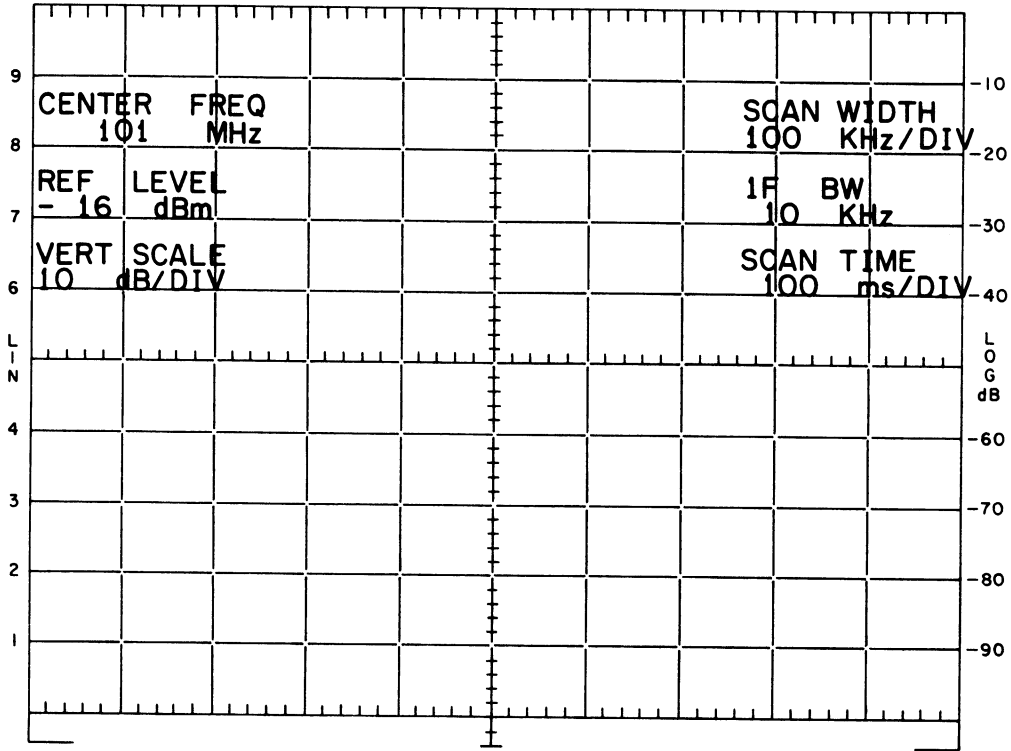


Figure 6-3. Test Waveform

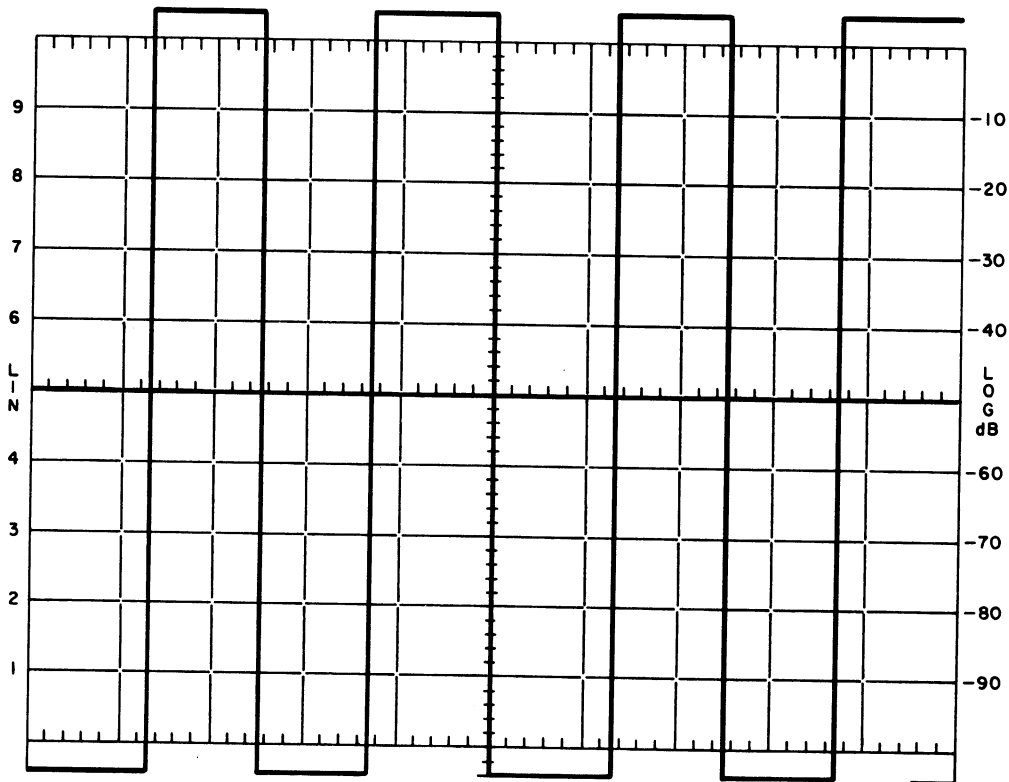


Figure 6-4. Test Waveform

## SECTION 7

### TROUBLESHOOTING

#### 7-1. INTRODUCTION

7-2. This section contains instructions for isolating malfunctions to a general functional area or component of the AILTECH 757. These instructions are based on the assumption that the reader is familiar with the operating procedures for the AILTECH 757 and the test equipment required to perform these procedures. The procedures are designed for a technician who is experienced in the operation and maintenance of this or similar equipment. Included in this section, as an aid to troubleshooting, are schematic diagrams and parts location diagrams.

#### 7-3. GENERAL INFORMATION

7-4. This section contains a functional description of some of the basic components of the AILTECH 757 circuitry. The information contained herein covers the operation of junction transistors, field effect transistors (FET), basic logic circuit elements, integrated circuits, and operational amplifiers. In order to better understand the troubleshooting procedures, it is advisable that this basic information be reviewed before proceeding.

**7-5. BASIC JUNCTION TRANSISTOR.** The basic junction transistor consists essentially of two PN junctions placed back to back. The transistor is a device that acts as a current amplifier. The three connections to the transistor are the emitter, the

collector, and the base. The base region is generally very thin. In operation, the transistor is biased to perform its function. Biasing of the NPN type transistor is shown in Figure 7-1-A. Biasing of the PNP type transistor is shown in Figure 7-1-B.

7-6. The most common cause of transistor failure is internal short circuits or internal open circuits. To check a transistor for shorts or opens, a standard ohmmeter is used. Before checking a transistor with an ohmmeter, be sure to check that the ohmmeter is on the proper scale since most ohmmeters can supply enough current or voltage to damage a transistor. Table 7-1 lists the most commonly available types of ohmmeters and the safe scale settings of each type; these scale settings must be used to avoid damaging the transistor under test.

7-7. In addition, the ohmmeter positive and negative probes should be used only as follows:

<u>Transistor Type</u>	<u>Positive Probe</u>	<u>Negative Probe</u>
NPN	Base Base	Emitter Collector
PNP	Collector Emitter	Base Base

7-8. The physical configuration of the different types of transistors used in the AILTECH 757 are shown in Figure 7-2.

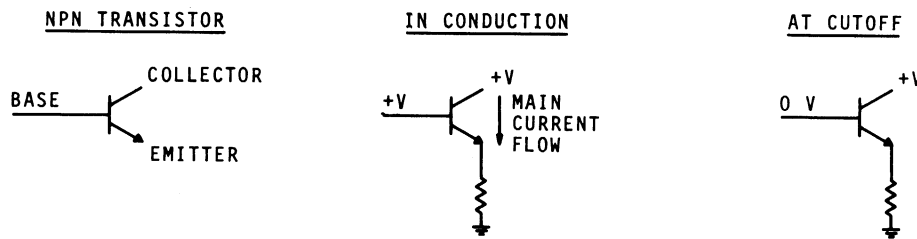


Figure 7-1-A. NPN Transistor Biasing

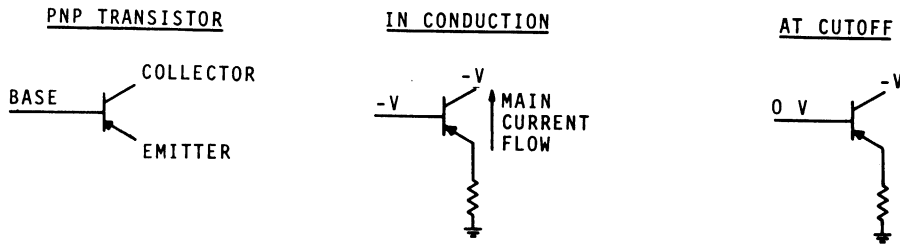
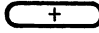
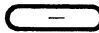
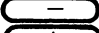
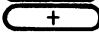






Figure 7-1-B. PNP Transistor Biasing

Table 7-1. Characteristics of Common Ohmmeters

Make, Model and Range	Open Circuit Voltage	Short Circuit Current	Polarity
<u>Simpson 260</u> R x 1 R x 100 R x 10K	1.5 V 1.5 V 7.5 V	125 mA 1 mA 60 $\mu$ A	Red  Black 
<u>Simpson 269</u> R x 1 R x 10 R x 100 R x 1K R x 10K R x 100K	1.5 V 1.5 V 1.5 V 1.5 V 24 V 30 V	75 mA 8 mA 8 mA 0.82 mA 1.3 mA 13 $\mu$ A	Red  Black 
<u>Triplett 630</u> R x 1 R x 10 R x 100 R x 1K R x 100K	1.5 V 1.5 V 1.5 V 1.5 V 22.5 V	320 mA 32 mA 3.25 mA 325 $\mu$ A 70 $\mu$ A	Red  Black  (Varies with serial number)
<u>Triplett 310</u> R x 1 R x 10 R x 100 R x 10K	1.5 V 1.5 V 1.5 V 15 V	7.5 mA 750 $\mu$ A 75 $\mu$ A 75 $\mu$ A	Red  Black  (Varies with serial number)

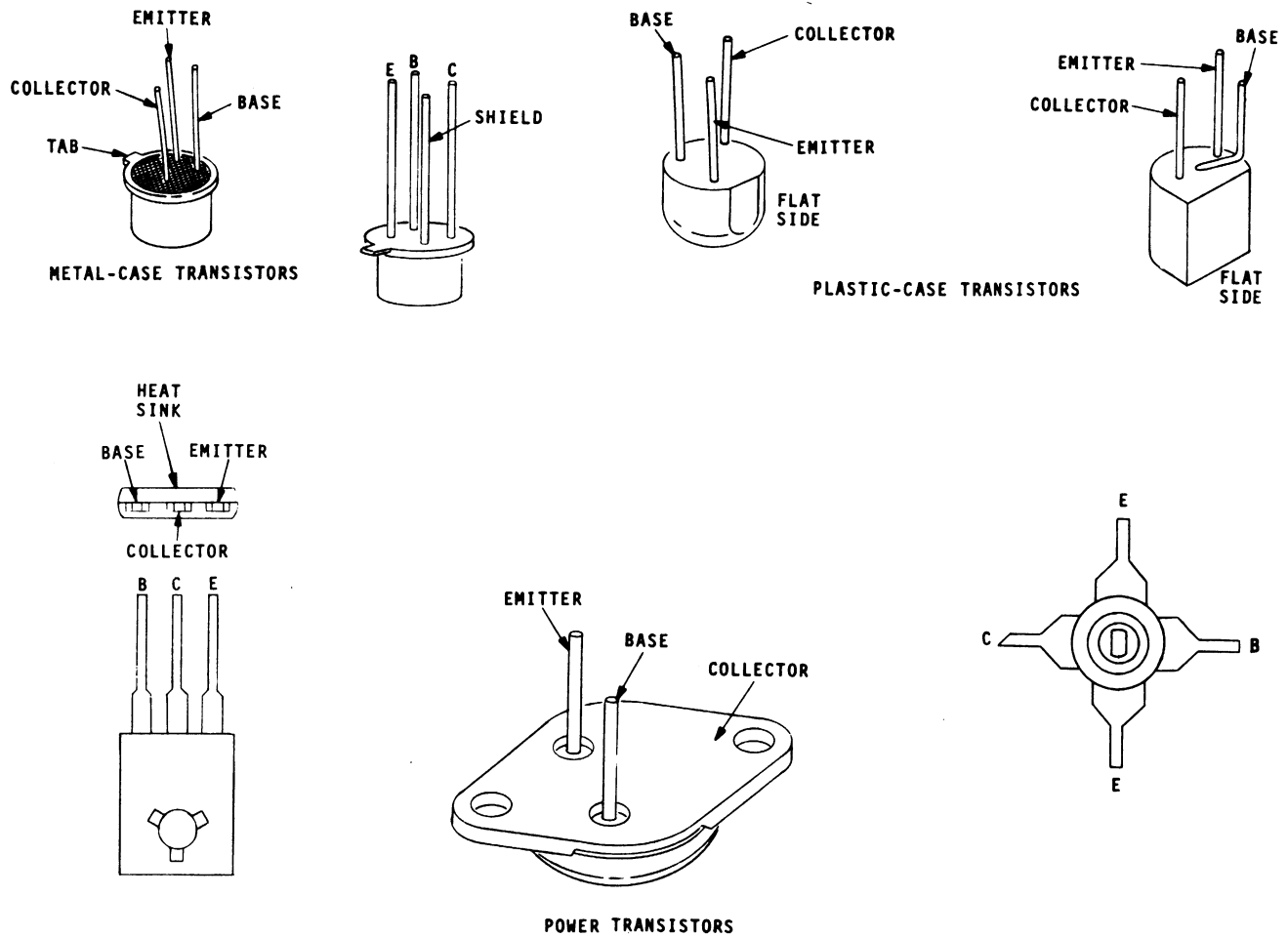
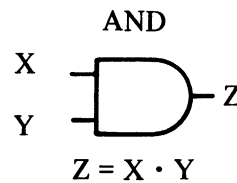


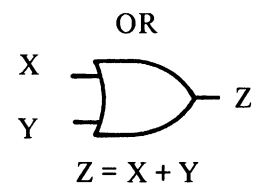
Figure 7-2. Transistor Types

**7-9. FIELD EFFECT TRANSISTOR.** The field effect transistor (FET) is a voltage-sensitive device which has an extremely high input impedance. Field effect transistors have three elements: the source, the drain, the gate (Figure 7-3). The conducting path between the source and the drain is called the channel. By placing a small positive potential on an N-channel drain, electrons will flow from the source to the drain. Therefore, the current flow will be from drain to source. Varying the gate voltage will result in a variation in channel width and resistance. Thus, it is the gate voltage variation that causes a change in the current drain, making the FET a voltage-sensitive device.

**7-10. BASIC LOGIC ELEMENTS.** The two most basic forms of logic elements are the AND and OR gates. These are shown with their respective truth tables.



X	Y	Z
H	H	H
H	L	L
L	H	L
L	L	L



X	Y	Z
H	H	H
H	L	H
L	H	H
L	L	L

7-11. A NAND gate is an AND gate with its output inverted. Similarly, an OR gate becomes a NOR gate when its output is inverted. The same effect



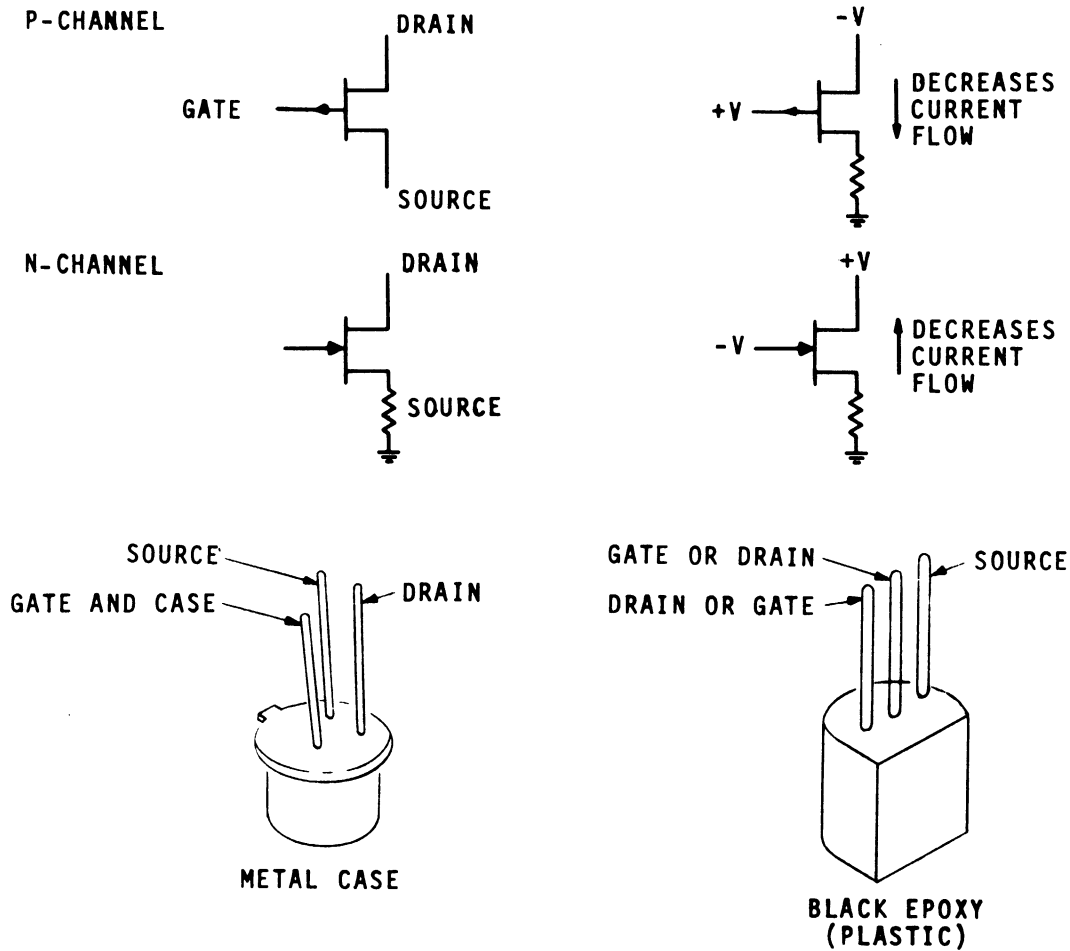
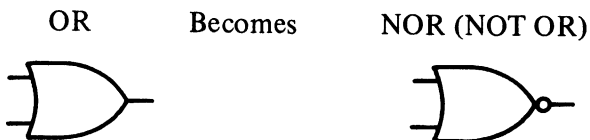
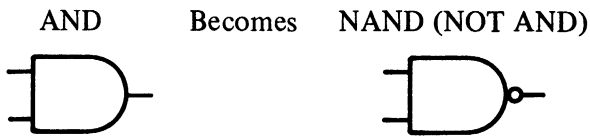
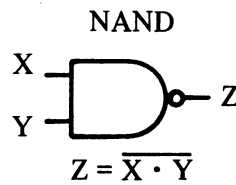


Figure 7-3. FET Biasing

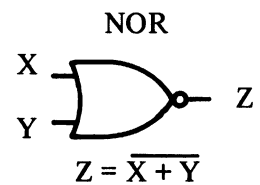
can be accomplished by inverting the inputs of each. To illustrate inversion or the input or output levels schematically, a circle is added to the appropriate line. For example:



7-12. Typical NAND and NOR gates are shown below with their respective truth tables.

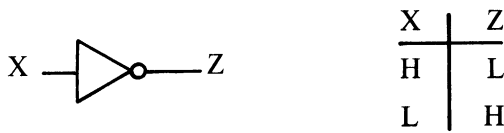


X	Y	Z
H	H	L
H	L	H
L	H	H
L	L	H



X	Y	Z
H	H	L
H	L	L
L	H	L
L	L	H

7-13. An inverter performs a logic level inversion of its input signal. A one-input inverter is shown below with its truth table.



**7-14. INTEGRATED CIRCUITS.** Basic logic gates are grouped in various combinations to form integrated circuit chips. Figure 7-4 shows the physical configuration of some typical integrated circuit chips used in the AILTECH 757.

**7-15. OPERATIONAL AMPLIFIERS.** Operational amplifiers are used to implement several functions. They are used as summers, regulators, buffers, amplifiers, integrators, and offset amplifiers. Figure 7-5 shows some general examples of the use of operational amplifiers.

**7-16. TROUBLESHOOTING INDEX (TABLE 7-2) AND WIRE RUN LISTS (TABLE 7-4)**

7-17. Table 7-2 provides an index of troubleshooting procedures and circuit descriptions for components of the AILTECH 757 Spectrum Analyzer. Included in this table are references to maintenance schematic diagrams and component location diagrams. This table should be used to locate the paragraph number for troubleshooting and the circuit descriptions of components. Table 7-4 provides the internal wiring information for troubleshooting the 757 Spectrum Analyzer.

**7-18. MAINTENANCE TURN-ON PROCEDURE**

7-19. Refer to paragraph 4-8 for instructions that are required before troubleshooting the AILTECH 757 Spectrum Analyzer.

**7-20. TROUBLESHOOTING PROCEDURES**

**7-21. SWITCH ASSEMBLIES.** Troubleshooting of the switch assemblies for the 757 Spectrum Analyzer can be accomplished by referring to the maintenance schematic diagrams and using conventional troubleshooting techniques. The following is a list of the switch assemblies and their corresponding maintenance schematic diagrams.

Switch

Figure No.

Front Panel Assembly 1A2	7-6
SCAN WIDTH/DIV Switch 1A2A1	7-7
SCAN TIME/DIV Switch 1A2A2	7-8
RF RANGE (GHz) Switch 1A2A3	7-9
IF BANDWIDTH (KHz) Switch 1A2A4	7-10
VERT SCALE/DIV Switch 1A2A5	7-11
SCAN MODE Switch 1A2A6	7-12

**7-22. BANDWIDTH PRINTED CIRCUIT BOARD 1A2A8.** (See Figure 7-13.)

**7-23. Circuit Description.** The bandwidth printed circuit board contains **FREQ/TIME DOMAIN** switch S1, seven light emitting diodes (LEDs), CR1 through CR3 and CR8 through CR11. LEDs CR8 through CR11 indicate which IF filter is energized and CR3 is the UNCAL indicator. LEDs CR1 and CR2 are the FREQ and TIME indicators.

**7-24. Troubleshooting.** Troubleshooting of this board is accomplished by removing the connector J1 and, using an ohmmeter, checking switch S1 for continuity and diodes CR4 through CR7 for standard diode action. The LEDs can be checked by energizing connector J1-3 with +5 Vdc and grounding the respective output to see if the LED illuminates.

**7-25. PUSHBUTTON SWITCH ASSEMBLY 1A2A9.** (See Figure 7-14.)

**7-26. Circuit Description.** Pushbutton Switch Assembly 1A2A9 consists of two circuits; the switch assembly consisting of switches S1 through S5 and the LEDs consisting of CR1 through CR5. The digital commands, SIGNAL IN, HOLD, RECALL, SIG IN-MEMORY, and BYPASS, light their corresponding LEDs, when the corresponding switch is closed.

**7-27. Troubleshooting.** Troubleshooting is accomplished by checking switches S1 through S5 with an ohmmeter. The LEDs can be checked by supplying connector J1 pin 2 with +5 Vdc and grounding the appropriate output. This will ensure that the LEDs are illuminating.

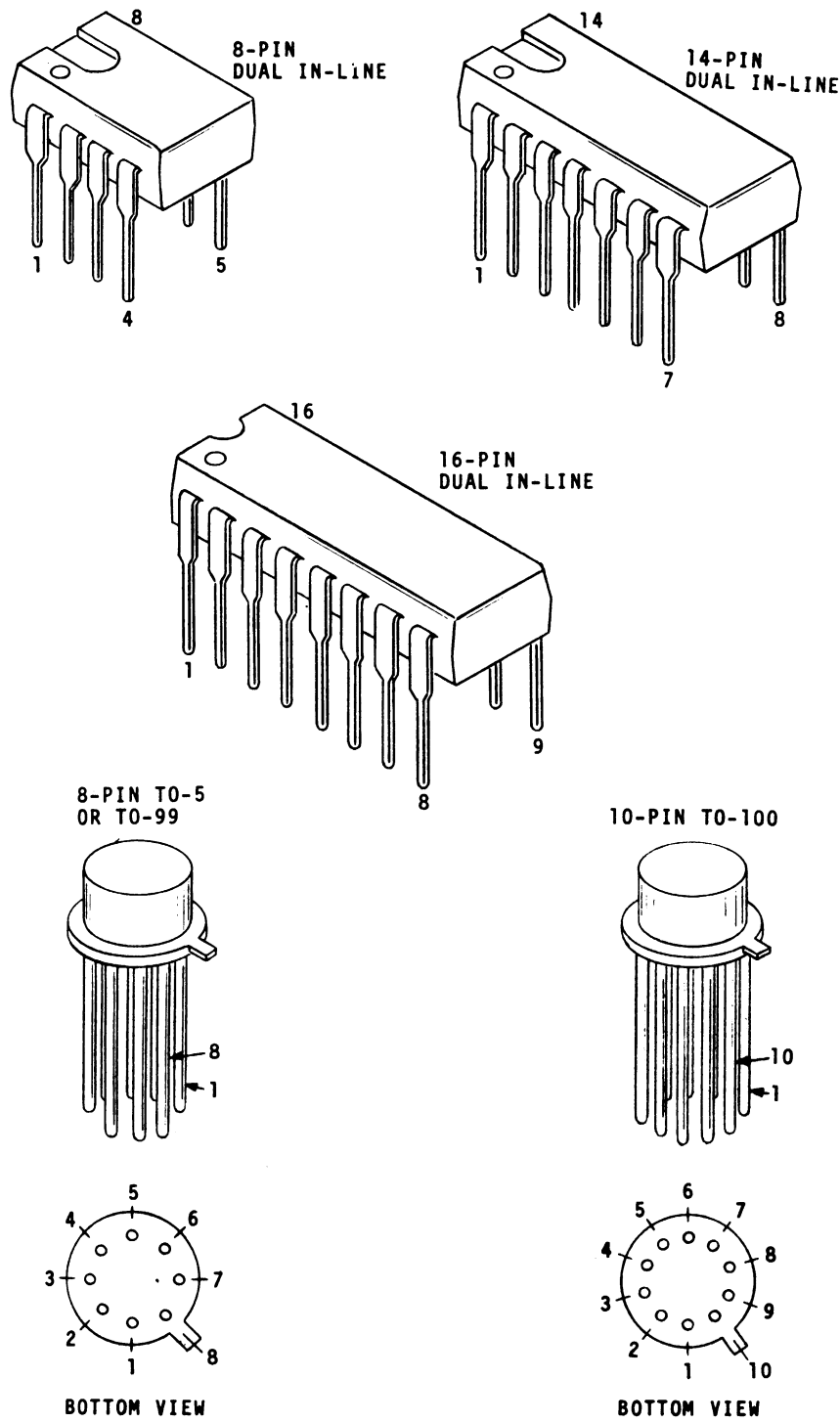
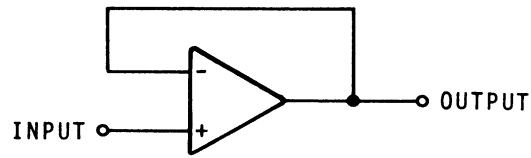
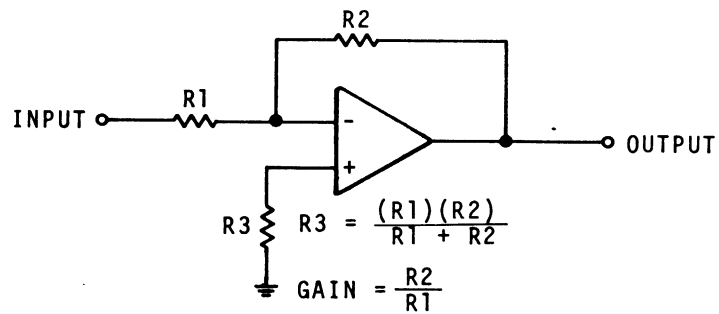


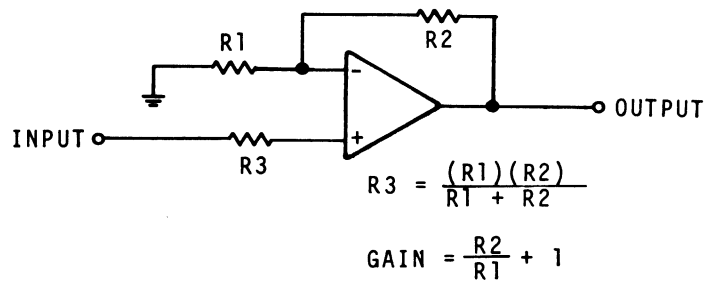
Figure 7-4. Integrated Circuit Chips



UNITY GAIN VOLTAGE FOLLOWER  
HIGH INPUT IMPEDANCE  
LOW OUTPUT IMPEDANCE



INVERTING AMPLIFIER  
LOW OUTPUT IMPEDANCE  
R1 IS INPUT IMPEDANCE



NONINVERTING AMPLIFIER  
LOW OUTPUT IMPEDANCE  
HIGH INPUT IMPEDANCE

Figure 7-5. Typical Applications of Operational Amplifiers

Table 7-2. Troubleshooting Index

Reference Designation	Component	Troubleshooting Paragraph	Circuit Description Paragraph	Maintenance Schematic Fig. No.	Component Location Fig. No.
1A2	Front panel	N/A	N/A	N/A	7-6
1A2A1	SCAN WIDTH switch	7-21	N/A	7-7	7-6
1A2A2	SCAN TIME switch	7-21	N/A	7-8	7-6
1A2A3	RF RANGE switch	7-21	N/A	7-9	7-9
1A2A4	IF BANDWIDTH switch	7-21	N/A	7-10	7-6
1A2A5	VERTICAL SCALE switch	7-21	N/A	7-11	7-6
1A2A6	SCAN MODE switch	7-21	N/A	7-12	7-6
1A2A7	CALIBRATE indicator	N/A	N/A	N/A	7-6
1A2A8	Bandwidth printed circuit board	7-24	7-23	7-13	7-6
1A2A9	Pushbutton switch	7-27	7-26	7-14	7-6
1A2A10	Pushbutton switch	7-30	7-29	7-15	7-15
1A2A11	Frequency readout printed circuit board	7-33	7-32	7-16	7-16
1A2A12	Tuner assembly	7-36	7-35	7-17	7-17
1A2A13	IF attenuator	7-48	N/A	N/A	7-18
1A2A14	RF attenuator	N/A	N/A	N/A	7-19
1A2A15	Signal center assembly	N/A	N/A	N/A	7-6
1A2A16	Baseline/Contrast assembly	N/A	N/A	N/A	7-6
1A2A17	Control panel	N/A	N/A	N/A	7-6
1A2A18	RF switch	N/A	N/A	N/A	7-6
1A3	Rear panel	N/A	N/A	N/A	3-2
1A4	Low voltage power supply	7-40	7-38	7-20	7-20
1A5	CRT display	(Refer to Section 9)			
1A6	Absolute power board	7-44	7-42	7-21	7-21
1A7	Fixed attenuator	N/A	N/A	N/A	N/A
1A8	Log IF amplifier	7-47	7-46	7-22	7-22
1A8A1	Log IF amplifier printed circuit board	7-47	7-46	7-22	7-22
1A9	Comb generator	N/A	N/A	N/A	N/A
1A10	RF/IF assembly	—	—	—	7-23
1A10A1	IF processor	7-48, 7-57	7-56	N/A	7-24
1A10A1A1	IF processor printed circuit board	7-57	7-56	7-24	7-24
1A10A1A2	IF filter	7-54	7-53	7-25	7-24, 7-25
1A10A1A3	IF filter	7-54	7-53	7-25	7-24, 7-25
1A10A1A4	Second IF converter	7-51	7-50	7-26	7-24, 7-26
1A10A1A5	IF amplifier	7-51	7-50	7-26	7-24, 7-26
1A10A2	Yig oscillator	N/A	N/A	N/A	7-23
1A10A3	Yig filter	N/A	N/A	N/A	7-23
1A10A4	Mixer bias	7-48, 7-70	7-69	7-29	7-29
1A10A5	Loop control	7-71	N/A	N/A	7-30
1A10A5A1	Loop control printed circuit board	7-71	7-79	7-30	7-30
1A10A5A2	3.5 MHz oscillator printed circuit board	7-74	—	7-31	7-31
1A10A5A3	Comb source printed circuit board	7-77	7-76	7-31	7-31

Table 7-2. Troubleshooting Index (Continued)

Reference Designation	Component	Troubleshooting Paragraph	Circuit Description Paragraph	Maintenance Schematic Fig. No.	Component Location Fig. No.
1A10A5A4	100 MHz oscillator printed circuit board	7-83	7-82	7-31	7-31
1A10A6	Local oscillator	7-58	—	7-27	7-27
1A10A6A1	LCVCO shaper printed circuit board	7-61	7-60	7-27	7-27
1A10A6A2	LCVCO oscillator printed circuit board	7-64	7-63	7-27	7-27
1A10A7	RF switch	N/A	N/A	N/A	7-23
1A10A8	RF switch	N/A	N/A	N/A	7-23
1A10A9	RF switch	N/A	N/A	N/A	7-23
1A10A10	RF switch	N/A	N/A	N/A	7-23
1A10A11	Low pass filter	N/A	N/A	N/A	7-23
1A10A12	Yig driver printed circuit board	7-88	7-85	7-32	7-32
1A10A13	Microwave mixer	N/A	N/A	N/A	7-23
1A10A14	Fixed attenuator	N/A	N/A	N/A	7-23
1A10A15	Fixed attenuator	N/A	N/A	N/A	7-23
1A10A16	6 dB coupler	N/A	N/A	N/A	7-23
1A10A17	Harmonic mixer	N/A	N/A	N/A	7-23
1A10A18	RF amplifier	7-48, 7-67	7-66	7-28	7-28
1A10A19	6 dB coupler	N/A	N/A	N/A	7-23
1A10A20	227 MHz bandpass filter	7-48	N/A	N/A	7-23
1A10A21	40 dB isolator	N/A	N/A	N/A	7-23
1A10A22	Fixed attenuator	7-48	N/A	N/A	7-23
1A10A23	Loop mixer	N/A	N/A	N/A	7-23
1A10A24	Comb generator	N/A	N/A	N/A	7-23
1A10A25	Fixed attenuator	N/A	N/A	N/A	7-23
1A10A26	2060 MHz oscillator	N/A	N/A	N/A	7-23
1A10A27	Not used	N/A	N/A	N/A	N/A
1A10A28	Not used	N/A	N/A	N/A	N/A
1A10A29	RF switch	7-48	N/A	N/A	7-23
1A10A30	RF switch	7-48	N/A	N/A	7-23
1A10A31	RF amplifier	7-48, 7-67	7-66	7-28	7-28
1A10A32	Yig driver heat sink	7-88	7-85	7-32	7-32
1A10A33	RF switch	N/A	N/A	N/A	7-23
1A10A34	RF switch	N/A	N/A	N/A	7-23
1A10A35	6 dB coupler	N/A	N/A	N/A	7-23
1A11	Sweep generator printed circuit board	7-96	7-90	7-33	7-33
1A12	Processed video printed circuit board	7-101	7-98	7-34	7-34
1A13	Regulator bias printed circuit board	7-108	7-103	7-35	7-35
1A14	Digital display printed circuit board No. 1	7-111	7-110	7-36	7-36
1A15	Digital display printed circuit board No. 2	7-114	7-113	7-37	7-37

Table 7-2. Troubleshooting Index (Continued)

Reference Designation	Component	Troubleshooting Paragraph	Circuit Description Paragraph	Maintenance Schematic Fig. No.	Component Location Fig. No.
1A16	Frequency and power reference encoder printed circuit board	7-115	7-116	7-38	7-38
1A17	Character generator and data encoder printed circuit board	7-115	7-126	7-39	7-39
1A18	Horizontal timing printed circuit board	7-115	7-143	7-40	7-40
1A19	Display timing and horizontal output printed circuit board	7-115	7-151	7-41	7-41
1A20	Pushbutton interface and line generator printed circuit board	7-115	7-159	7-42	7-42
1A21	Data digitizer and memory logic printed circuit board	7-115	7-181	7-43	7-43

#### 7-28. PUSHBUTTON SWITCH ASSEMBLY 1A2A10. (See Figure 7-15.)

**7-29. Circuit Description.** Pushbutton switch assembly 1A2A10 consists of three separate circuits. The switch circuit consisting of switches S1 through S4 supplies the closures for four of the digital functions of the normalizer. These pushbuttons are A, B VIEW A, SAVE, and READOUT DISABLE. In addition, the switch has four LEDs, CR1 through CR4, which are energized when any of the preceding pushbuttons are enabled. The last circuit is the filter network consisting of capacitors C1 through C4 and resistors R5 and R6. This filter network is used for remote sensing of the  $\pm 6$  Vdc reference. In addition, this board is used as a tie point for remote tuning and the input to Tuner Assembly 1A2A12.

**7-30. Troubleshooting.** To troubleshoot Pushbutton Switch Assembly 1A2A10, proceed as follows:

1. Remove connectors J1, J2 and J3.
2. Using an ohmmeter, check to see if switches S1 through S4 are operating properly.
3. Check the LEDs by applying +5 Vdc to connector J1 pin 2, and grounding pins 7, 8, 9 and 10 of connector J1. This should illuminate the LEDs and verify that they are functional.

4. Monitor the filter network by checking capacitors C1 through C4 for shorts. If the capacitors do not appear to be shorted, apply a voltage into the input of the network and verify that it is producing a filtered output.

#### 7-31. FREQUENCY READOUT PRINTED CIRCUIT BOARD 1A2A11. (See Figure 7-16.)

**7-32. Circuit Description.** Frequency Readout Printed Circuit Board 1A2A11, is part of the front panel assembly and contains five, 7 segment LEDs (Z1 through Z5) indicating the center frequency of the 757 Spectrum Analyzer.

**7-33. Troubleshooting.** Troubleshooting of the frequency readout printed circuit board is accomplished by interchanging any LED that does not read with one that does. An oscilloscope can be used to check for the appropriate voltage levels for the segment that is enabled.

#### 7-34. TUNER ASSEMBLY 1A2A12. (See Figure 7-17.)

**7-35. Circuit Description.** Tuner Assembly 1A2A12 consists of two 5K ten-turn precision potentiometers, R1 and R2, which are sequentially energized as a function of the SCAN WIDTH/DIV switch. For scan widths of 700 MHz/div to 1 MHz/div, coarse tune potentiometer R1 is energized.

This is done by energizing clutch 1 (CL1) with +24 Vdc. As the tuning control is rotated, both the coarse tune and fine tune clutches rotate. The fine tune clutch turns at a 5:1 reduced rate. When the SCAN WIDTH/DIV switch is set to 300 KHz/div or less, the +24 Vdc is switched to the fine tune clutch, CL2, so that the fine tune now becomes the control for the Spectrum Analyzer. As the SCAN WIDTH/DIV switch is increased from 300 KHz/div to 1 MHz/div, coarse tune clutch CL1 is again energized and a spring loaded recoil mechanism resets fine tuning clutch CL2 and potentiometer R2 to the center of its range.

**7-36. Troubleshooting.** To troubleshoot the tuner assembly proceed as follows:

1. Energize CL1 with +24 Vdc. Verify that the clutch is being energized and pulled in. If the clutch will not pull in, check diodes CR1 and CR2 to verify that they are not shorted. If it is energized but not pulling in, check to see that the spacing is 0.010 inches between clutch and clutch plate.

2. Vary the TUNING control and check that potentiometer R1 is changing properly and that the voltage on the wiper of the coarse tune (larger) potentiometer R1 is changing.

3. Energize CL2 with +24 Vdc. Repeat step 2 for fine tuning potentiometer R2. Vary the TUNING control until potentiometer R2 no longer turns.

4. Remove the voltage from CL2. The recoil mechanism should rewind again, centering the fine tune potentiometer. If it does not rewind, verify that the nylon line is not being fouled and that the spring is seated properly in its nylon bushing.

**7-37. LOW VOLTAGE POWER SUPPLY 1A4.**  
(See Figure 7-20.)

**7-38. Circuit Description.** Low Voltage Power Supply 1A4 provides the four dc voltages for the system. These voltages are +18.3 Vdc at 2.0 amps full load, -18.3 Vdc at 2.5 amps full load, +5 Vdc at 4.0 amps full load and +24 Vdc at 1 amp full load. All outputs are overload protected, and there is an interlock to shut down -18 Vdc if +18 Vdc fails. The supply is provided with a thermal cutout switch (S1) which provides protection from overheating and is capable of taking an input of 115 Vac

or 230 Vac at a frequency of 47 to 400 Hz. The supply also provides outputs of 115 Vac at 200 mA and 8 Vac at 5 mA. The 8 Vac output is used for LINE sync.

7-39. The ac input voltage is applied to the primary of transformer T1 and comes out on six secondary windings. The voltages are then rectified by a series of diode bridges and fed into regulators Z1 through Z4. The voltages are adjusted by varying potentiometers R11, R25, R39, and R53. The overcurrent protect circuits are set by adjusting potentiometers R14, R28, R42, and R56. Current limit integrated circuits Z5 through Z8 are used in this circuit in conjunction with SCRs VR1 through VR4 to provide the foldback points. Pass transistors Q1, Q3, Q4 and Q5, which are in a darlington pair are located on a heat sink, which is mounted to the rear panel.

**7-40. Troubleshooting.** (Consult Factory)

**7-41. ABSOLUTE POWER PRINTED CIRCUIT BOARD 1A6.** (See Figure 7-21.)

**7-42. Circuit Description.** Absolute Power Printed Circuit Board 1A6 provides a 2½ digit alphanumeric readout of the power in dBm at the REF line of the CRT. This reference is set for the 0 dB graticule line. Its operation ensures that all combinations of the RF and IF attenuators are accurately tracked to ±1 dB. The absolute value of the reference line remains unchanged when the unit is expanded about the REF position. When expanding about the NOISE, or when the PRESELECTOR switch is set to the OUT position, the readout is intentionally blanked. For analyzers that have the high sensitivity preamplifiers (Option 001) installed, a 20 dB correction factor is automatically inserted into the readout when the RF RANGE (GHz) switch is placed in the .001 – 2.0 GHz position.

7-43. The input of the board consists of a switched ground which indicates the position of the RF and IF attenuators. These inputs are normally held high through a 5.1K pull up resistor. In the case of the IF attenuator, the tens and ones are processed through a 10 line to 4 line binary to BCD converter U2 while the RF attenuator is converted through diode logic. These outputs are gated through inverters U3 and U4 into a 4-bit magnitude comparator and summer U5. The magnitude comparator compares these outputs to a preset input which is



generated by a BCD switch on the board for the 10 dB steps. For the 1 dB steps the AMPL ADJ control generates the preset. The outputs are then multiplexed and added or subtracted as needed. The sign and hundreds bits are obtained by a series of NAND and NOR gates to give the final result.

**7-44. Troubleshooting.** Troubleshooting the absolute power board involves observing the levels of TTL logic. The inputs from the RF and IF attenuators are at a logic high. Whichever position the attenuator switch is in, it supplies a ground or logic low. The signals are applied to the 10 line to 4 line BCD encoder. These outputs are then converted and summed with the BCD offset that comes from the front panel AMPL ADJ control, or from 10's BCD preset switch S1 located on the board. The outputs are then applied to the ones or tens arithmetic decoder and a 4-bit magnitude comparator. The output of the decoders is then fed into the subtractors and into the sign overflow logic.

**7-45. LOG IF AMPLIFIER ASSEMBLY 1A8.**  
(See Figure 7-22.)

**7-46. Circuit Description.** Log IF Amplifier Assembly 1A8 consists of 9 bipolar monolithic integrated circuit wideband amplifiers Z1 through Z9 used in a successive detection scheme. The mid-band voltage gain of each of the individual amplifiers that make up the amplifier is approximately 12 dB. The circuit is broken down into two chains. The main chain, which consists of seven stages (Z3 through Z9), provides a dynamic range of approximately 85 dB. This is then raised to approximately 110 dB by the addition of the second two stage chain (Z1 and Z2). Two transistor buffer stages (Q1 and Q2) are used in the output summing line to reduce spurious feedback and lower the output rise time. Seven interstage filters are inserted to reduce the noise and maintain unity voltage transfer at resonance. This serves not to distort the logarithmic law.

**7-47. Troubleshooting.** The log IF amplifier consists of 9 stages of amplification and should be troubleshot as follows:

1. Inject a 10 dBm signal centered at 21.4 MHz into IF input connector J1.
2. Vary the IF ATTEN (dB) control until the signal sits on the top graticule line. It may be necessary to vary the signal level input in order to achieve this.

3. Decrease the IF ATTEN (dB) control in 10 dB steps.

4. The signal should drop 10 dB for each 10 dB step of the attenuator. If the unit does not track with the attenuator, Z1 through Z9 should be replaced one at a time, starting from the input, until the unit tracks with the attenuator. Inductor L2 may have to be increased or decreased in length. The complexity of this process necessitates that the unit be returned to the factory for qualified repair and calibration, if possible.

**7-48. IF SECTION.** (See Figures 7-23 through 7-26.) The IF section consists of IF Processor Assembly 1A10A1, Mixer Bias Assembly 1A10A4, two RF amplifiers 1A10A18 and 1A10A31, 227 MHz bandpass filter 1A10A20, fixed attenuator 1A10A22, RF switches 1A10A29 and 1A10A30, and IF attenuator 1A2A13. To troubleshoot the IF section, proceed as follows:

1. Check for a 248 MHz output from LCVC0 oscillator 1A10A6A2 on the coupled down port J1. Approximate power should be between -5 and 0 dBm at 248 MHz.

2. Using a signal generator, inject 227 MHz into the RF input connector J5 of IF assembly 1A10A1. The signal should be peaked up to verify that the signal generator is putting out 227 MHz. This can be done by putting in approximately -30 dBm of signal, and adjusting the timing control of the signal generator until the signal is peaked on the display of the Spectrum Analyzer.

3. In order to measure the IF sensitivity, reduce the signal level until it is below the noise, (approximately -110 dBm), then increase the signal until there is a 2 dB signal-to-noise ratio or the signal raises by 2 dB above the noise. The sensitivity should be approximately -97 dB. It should take a -23 dBm signal to reach the top of the screen when the IF section is operating properly.

4. If the sensitivity is correct, the problem is located between the 227 MHz input of IF Processor Assembly 1A10A1 and the RF to IF conversion at the output of Mixer Bias Assembly 1A10A4. However, if the signal is not correct at this point, it will be necessary to continue to make measurements through the IF strip.

5. Inject a 21.4 MHz signal into the input of the IF processor 1A10A1A1 by removing the cable that is on the processor and injecting the signal into cable W32. This is done in order to obtain a 2 dB signal-to-noise ratio. The sensitivity at this point should be approximately 103 dB. If the IF Processor Assembly 1A10A1 is operating properly a signal of -28 dBm should move the signal to the top of the display. If the sensitivity is not accurate at this point the problem is isolated into the specific section of the IF chain. The IF Processor Assembly 1A10A1 can now be broken down into two major sections. Mixer bias 1A10A4, first IF amplifier 1A10A1A5, and first filter bank 1A10A1A3, make up the first major section. IF processor 1A10A1A1 and second filter bank 1A10A1A2 make up the second major section.

6. To verify further that the problem is in the IF Processor Assembly 1A10A1, remove cable W41 that connects the processor output, and with no attenuation on the IF attenuator, inject a 21.4 MHz signal into the cable. Inject 21.4 MHz at this point. The sensitivity should be approximately -100 dBm and it should take approximately a +2 dBm signal to get to the top of the display. (Front panel to rear panel gain is approximately 20 dB.)

**7-49. SECOND IF CONVERTER 1A10A1A4 AND IF AMPLIFIER 1A10A1A5.** (See Figure 7-26.)

**7-50. Circuit Description.** The second IF converter and IF amplifier consists of a balanced mixer 1A10A1A4 and amplifier 1A10A1A5. This circuit converts the 227 MHz IF (RF) and 248 MHz LO into a 21.4 MHz IF signal. The mixer, which has a conversion loss of approximately 6 dB, takes the 248 MHz and 227 MHz and converts it down to 21.4 MHz. This signal is processed through a filter network and is applied to the base of transistor Q1, where it is amplified. The gain of this amplifier is approximately 20 dB. The circuit is tuned for maximum gain by the adjustment of capacitor C10. The adjustment of potentiometer, R3, in the emitter of Q1 sets the overall IF gain at system level such that 0 dBm will be at the top of the screen.

**7-51. Troubleshooting.** Troubleshooting of the second IF converter and IF amplifier consists of signal injections and tracing of the signal along the RF path.

1. Verify that the 248 MHz LO and 227 MHz RF are being applied to mixer M1.

2. Using another spectrum analyzer, verify that 21.4 MHz is being outputted from the mixer and applied to the amplifier.

3. Using another spectrum analyzer with an ac coupled scope probe, signal trace the 21.4 MHz signal through amplifier 1A10A1A5.

4. Verify that  $\pm 18$  Vdc is being applied to the amplifier and that capacitors C10 and C11 are not open or shorted. Check for any burnt components around transistor Q1.

**7-52. IF FILTERS 1A10A1A2 AND 1A10A1A3.** (See Figures 7-24 and 7-25.)

**7-53. Circuit Description.** The IF filters each consist of four filters. The 1 MHz filter is a lumped LC type, while the 100, 10 and 1 KHz filters are crystal filters (A3, A2, and A1, respectively). These crystal filters are cascaded with a second bank of filters in IF assembly 1A10A1. The circuit consists of a series of diode switches, CR1 through CR16, which are energized by the +18 Vdc power source. When energized, the line allows the 21.4 MHz signal to pass through the diodes and into the filter for processing. The 1 MHz filter consists of a series of variable inductors (L23, L24 and L25) which are adjusted for the filters final bandpass characteristics. In addition, the individual filters insertion loss can be varied such that the peak of each filter in the system is the same.

**7-54. Troubleshooting.** Troubleshooting of the IF filters should be done at a system level. The only active components are the diode switches CR1–16. Verify that the diodes are not open and are being switched properly. If all the diodes appear to be functioning, signal trace through the section to determine the defective component. Refer to paragraph 7-48 for fault isolation of filter banks.

**7-55. IF PROCESSOR 1A10A1A1.** (See Figures 7-24 through 7-26.)

**7-56. Circuit Description.** The IF processor consists of two stages of amplification along with five voltage stepped attenuators (VSA). The 21.4 MHz signal is applied to the IF processor from IF filter bank 1A10A1A3 at E1 and is processed through one stage of amplification. This is tuned by varying capacitor C6. The signal is then processed through a diode switch into a resistor attenuator, which is energized by +18 Vdc as a function of the frequency band selected. The band 4 section is effectively a

short circuit and has the lowest gain. Therefore, it is used as a comparison for all of the other bands and all are adjusted relative to band 4. After being processed through the switches, the signal is amplified once again. The second stage is peaked by varying capacitor C34.

**7-57. Troubleshooting.** Troubleshooting of the IF processor is accomplished by signal tracing.

1. Inject a -30 dBm signal at 21.4 MHz into processor input E1.

2. Using another spectrum analyzer, which is ac coupled, check for an output of 21.4 MHz at approximately -10 dBm at the junction of capacitors C19 and C36. It may be necessary to vary capacitor C6 in order to achieve the power required.

3. Energize the band 4 select line with +18 Vdc (set RF RANGE (GHz) switch to 5.4 to 12.4). Verify that +18 Vdc is being applied to the diode switch (CR9 and CR10) and that the diode switch is turned on.

4. Reduce the input test signal to -50 dBm. Check the processor output at E2 for a 21.4 MHz signal at approximately -10 dBm. It may be necessary to adjust capacitors C34 and C6 to achieve this.

**7-58. LOCAL OSCILLATOR 1A10A6.** Local Oscillator 1A10A6 (Figure 7-27) consists of two main sections: LCVCO shaper 1A10A6A1 and LCVCO oscillator 1A10A6A2. The shaper has a +18 volt source that is regulated down to +6.2 volts. This voltage is applied to LCVCO oscillator 1A10A6A2. The voltages can be monitored on test points TP1, TP2, and TP3. On test point TP1, the voltage should be +17.0 volts. The second test point (TP2), should have a voltage of approximately -14 volts. The third test point (TP3) should have a sweep when the SCAN WIDTH/DIV switch is set at 300 KHz or less. The differential voltage on any of the test points should be in the order of 40 microvolts. This is with no sweep signal being applied to the LCVCO sweep control circuit. To verify that there is no problem and that 40 microvolts is present on all three test points, first remove the sweep connection from the input at E11. Now the measurement of the 40 microvolts at any of the three test points can be verified. If there is more than a 40 microvolt

shift, on any of these three test points, including the positive terminal of capacitor C1, then there is a defective operational amplifier which should be removed. At test point TP1, if the shift is more than 40 microvolts remove operational amplifier Z1. At test point TP2, if the shift is more than 40 microvolts, remove operational amplifier Z2. And, finally, if there is more than a 40 microvolt shift at test point TP3, remove operational amplifier Z3. If the spectrum appears noisy and is low in amplitude, one of the operational amplifiers is oscillating. Adjusting feedback capacitor, C1, on the oscillator board should suppress this oscillation by raising the power of the oscillator to maximum. To prevent excess F Ming, replace any noise potentiometers and/or diodes on shaper board 1A10A6A1. The standard voltages on the test points, without the sweep being applied to oscillator 1A10A6A2 are +16.7 to +17.2 for test point TP1, and -14 to -15.3 for test point TP2. The voltage on sweep test point TP3 will be -9.75 to -10.25 volts. All voltages are obtained with the sweep input wire removed from LCVCO 1A10A6. With all wires connected and the desired output signal being monitored, refer to Section 6 to verify that the shaper is operating properly. When the circuit is operating properly, a -5 to 0 dBm signal at a frequency of 248 MHz will be on the test port. When a 1 MHz comb line is injected into the 227 MHz bandpass filter 1A10A20, comb lines will be visible every 3-1/3 boxes at a scan width of 300 KHz per division. It will be necessary to disable the AUTO centering circuitry to verify that the 227 MHz is centered properly.

**7-59. LCVCO SHAPER PRINTED CIRCUIT BOARD 1A10A6A1.** (See Figure 7-27.)

**7-60. Circuit Description.** The shaper consists of three regulator circuits and regulates the +18 Vdc input to +6.2 Vdc. This regulated voltage is applied to LCVCO oscillator 1A10A6A2. The regulators produce +17.0 Vdc and -14.7 Vdc. These regulators consist of an operational amplifier and associated transistor. The third circuit in the shaper is the sweep circuit. This circuit provides the sweep, offsets it, position shifts it, and adjusts its gain for proper functioning of LCVCO 1A10A6A2. The LCVCO sweep control consists of operational amplifier Z3, drive transistor Q4 and diodes CR3 and CR5. One diode limits the voltage, while the other acts as a voltage block.

**7-61. Troubleshooting.** To troubleshoot the LCVCO shaper, refer to paragraph 7-58.

### 7-62. LCVCO OSCILLATOR PRINTED CIRCUIT BOARD 1A10A6A2. (See Figure 7-27.)

**7-63. Circuit Description.** The LCVCO oscillator consists of a two transistor oscillator, Q1 and Q2, and transistor Q3. Transistor Q3 is a common emitter providing high gain. The oscillator produces a 248 MHz output at +20 dBm which is either fixed tuned or swept. Transistors Q1 and Q2, in conjunction with capacitors C1 and C2, encompass the oscillator, while transistor Q3 provides the additional gain required in order to achieve a +20 dBm signal at 248 MHz. In addition, there is a coupled down test output at E2. This output provides a 0 dBm test signal at 248 MHz for verification of the output without having to disconnect the assembly.

**7-64. Troubleshooting.** To troubleshoot the LCVCO oscillator, refer to paragraph 7-58.

### 7-65. RF AMPLIFIERS 1A10A18 AND 1A10A31. (See Figure 7-28.)

**7-66. Circuit Description.** The RF amplifier is a one stage broadband transistor amplifier centered at 227 MHz. Centering is adjusted by varying tuned circuit LC1. The amplifiers typically have a gain of 15 dB and a noise figure of 4 dB.

**7-67. Troubleshooting.** Troubleshooting of the RF amplifiers consists of injecting a signal at 227 MHz at -30 dBm into the input and measuring an output of -15 dBm at 227 MHz at connector J2. Adjust LC1 to obtain the desired output. It should be noted that the placement of the RF transistor leads is critical. This assembly should therefore be serviced only at the factory.

### 7-68. MIXER BIAS 1A10A4. (See Figure 7-29.)

**7-69. Circuit Description.** Mixer Bias 1A10A4 provides dc bias for the systems single ended mixer. The mixer bias contains variable capacitor C2 and associated components. This capacitor is adjusted at system level for maximum flatness and amplitude of signals.

**7-70. Troubleshooting.** Inject a signal at 227 MHz at -10 dB into input connector J1. Verify that a small dc voltage is on resistor R1. Check output connector J2 for the 227 MHz signal. While peaking capacitor C2, the insertion loss should be minimal.

### 7-71. LOOP CONTROL ASSEMBLY 1A10A5. (See Figure 7-30.) The loop control assembly consists of four subassemblies.

7-72. The 3.5 MHz oscillator 1A10A5A2 consists of an oscillator stage, (which produces the fundamental 3.5 MHz frequency), one stage of amplification, and a filter. The overall amplifier gain is adjusted by varying potentiometer R7. The frequency is controlled by the adjustment of inductor L5. The inductor is located on the case that the 3.5 MHz oscillator is mounted in. Inductor L5 is adjusted to 3.500000 MHz, and R7 is adjusted to provide the necessary gain.

### 7-73. 3.5 MHz Oscillator 1A10A5A2. (See Figure 7-31.)

**7-74. Troubleshooting.** To check that the 3.5 MHz oscillator is operating properly, proceed as follows:

1. Monitor the collector of transistor Q1 with either a high frequency oscilloscope or an ac coupled spectrum analyzer.

2. If the oscillator is operating properly, check the output of the collector of amplifier stage Q2 for an output of approximately 0 dBm at 3.5 MHz.

3. Signal trace using an analyzer through the final filter for an output of 0 dB. It will be necessary to vary potentiometer R7 in order to achieve a 0 dB output from the oscillator.

### 7-75. Comb Source 1A10A5A3. (See Figure 7-31.)

**7-76. Circuit Description.** The comb source consists of a 2 MHz grounded base oscillator (Q1 and Q2), which produces the 2 MHz oscillating output. This signal is then processed through diodes CR2 and CR3. These diodes are step recovery diodes. The output now is in multiples of the 2 MHz signal. The signal is then processed through three tuned amplifier stages, tuned for maximum power at 100 MHz. The final output is a series of 2 MHz comb lines centered at 100 MHz.

**7-77. Troubleshooting.** Check the comb source using another spectrum analyzer for the proper 2 MHz output. Then proceed comparing the waveforms (Figure 7-31), with those obtained from the circuit test points. Proper signal tracing will ensure that each section of the circuit is functional and localize the problem should there be a malfunction.

### 7-78. Loop Control Printed Circuit Board 1A10A5A1. (See Figure 7-30.)

**7-79. Circuit Description.** Loop Control Printed Circuit Board 1A10A5A1 consists of a narrow bandpass filter amplifier centered at 3.5 MHz. This filter narrows the input to a bandwidth of 500 KHz with a maximum ripple of 5 dB peak-to-valley. The filter is followed by a stage of amplification (Z1) and a stage which provides the limiting action. The limiting level is approximately -80 dB. Following the limiter is the phase detector circuit, which takes the 3.5 MHz IF and mixes it with a 3.5 MHz LO. The phase difference or error voltage is then propagated. This error voltage is then processed through an 8 Hz search oscillator. This oscillator provides the oscillation for the auto phase lock acquisition circuit. When monitoring the loop output, a 2 volt peak-to-peak 8 Hz oscillation should be observed. By grounding the 8 Hz osc disable port E8, the oscillation should disappear. This can be achieved by depressing the SIGNAL CENTER pushbutton on the front panel. The error voltage is then fed through the Yig drivers 1A10A12 to Yig oscillator 1A10A2. The error voltages cause the oscillator to be offset in frequency in such a way that it moves the correct distance to compensate for any deviation from the internal reference oscillator.

**7-80. Troubleshooting.** Refer to paragraph 7-71.

### 7-81. 100 MHz Oscillator 1A10A5A4. (See Figure 7-31.)

**7-82. Circuit Description.** Transistor Q3 operates as a grounded base amplifier and oscillates due to the feedback from the series resonant crystal Y1. This frequency is 100 MHz. A two stage cascaded amplifier, consisting of transistors Q1 and Q2, boost the power level to 500M watts into an impedance of 50 ohms. A protect circuit removes the ground return of transistor Q1's emitter, whenever the SRD is disconnected. This circuit eliminates the need for Q2 to dissipate power when the circuit is unloaded.

**7-83. Troubleshooting.** Verify that the 100 MHz oscillator is operating properly as follows:

1. Monitor the junction of capacitors C3 and C4, with another spectrum analyzer. It is important to ac couple the analyzer, in order to protect its front end. It may be necessary to vary capacitor C6 to ensure the oscillators stability.

2. Continue to signal trace using the other spectrum analyzer. The final output from the oscillator is approximately +27 dBm. Therefore, any measurement made using another analyzer should be made with care. At least 20 dB of attenuation should be put on the spectrum analyzer during the monitoring. The largest amount of gain is derived from the last stage. Dual emitter transistor Q2 provides maximum gain and care should be taken when servicing this assembly. A heat sink must be used, and properly heat sunk. In addition, in order to achieve the stability and linearity desired at the output, it is necessary to adjust capacitors C12 and C14.

3. After the oscillator appears to be working properly, check the oscillator stability by turning the unit on and off several times.

4. Set SCAN WIDTH/DIV switch to 1 KHz position and depress CALIBRATE pushbutton. Verify stability of the comb lines. If the comb lines are still not stable, readjustment of capacitors C12 and C14 should stabilize the comb lines.

### 7-84. YIG DRIVER PRINTED CIRCUIT BOARD 1A10A12 AND YIG DRIVER HEAT SINK 1A10A32. (See Figure 7-32.)

**7-85. Circuit Description.** The Yig driver printed circuit board consists of seven functional blocks. The two major blocks are the Yig oscillator driver and the Yig filter driver. These two circuits are fed by the Yig FM Tuning Sweep signal. This provides the oscillator gain, and a dc voltage which provides the offset for filtering and oscillating. The Offset and Sweep signals are summed by operational amplifier Z1 and fed into a current amplifier (Q1 and Q2). The output of the Yig oscillator driver is applied to the coil of Yig oscillator 1A10A2. The oscillator drive is set up in a Darlington configuration with the emitter of transistor Q1 tied to the base of transistor Q2, providing high current gain. The Yig filter driver is set up in a high slew rate push pull power amplifier configuration.

7-86. The band 5 oscillator gain compensation circuit is tied in with the Yig oscillator driver. This circuit consists of relay K3 that is energized in band 5 only. Relay K3 shorts out resistor R59 for all bands except band 5. Band 5 controls the gain of the oscillator.

7-87. The next functional block is the band 5 full range filter track circuit. Relay K2 applies an additional offset to the Yig filter driver when the full range mode is energized. In addition, it gets switched +24 Vdc from the band 5 manual tune functional block. The 8 Hz oscillator disable circuit, grounds the loops 8 Hz oscillator disable point, by the turning on of FET switch Q11. This is accomplished by depressing the SIGNAL CENTER control on the front panel. The other functional block is the Yig oscillator FM drive. This is active only in the 1 and 3 MHz/div scan widths. This high slew rate amplifier supplies the high current for the FM tuning coil of Yig oscillator 1A10A2.

**7-88. Troubleshooting.** Troubleshoot Yig Driver Printed Circuit Board 1A10A12 and Yig Driver Heat Sink 1A10A32 as follows:

1. Set the Spectrum Analyzer to 3000 MHz and the SCAN WIDTH/DIV switch to 200 MHz/div. Check the VCO tune for the proper output (waveform A, Figure 7-32). Check the Yig filter tune for the proper output (waveform B, Figure 7-32).

2. To check the 8 Hz oscillator disable circuit, monitor connector J18 pin 6 and depress the SIGNAL CENTER control. Pin 6 should go to ground. Set the SCAN WIDTH/DIV switch to 3 MHz/div. Check deck 1 of 1A2A3 test points TP2, TP3, and TP5 for the associated waveforms (C, D, E, Figure 7-32). Using an oscilloscope, monitor pin 8 for the proper waveform (F, Figure 7-32).

3. If all bands except band 5 (10–22 GHz) are working properly, check the circuits associated with relays K1, K2, and K3 for the proper sequencing.

### **7-89. SWEEP GENERATOR PRINTED CIRCUIT BOARD 1A11.** (See Figure 7-33.)

**7-90. Circuit Description.** Sweep Generator 1A11 generates the main sweep for the Spectrum Analyzer plus the sweeps required to drive the Yig pre-selector 1A10A12, Yig oscillator 1A10A2 and LCVCO oscillator 1A10A6A2. The sweep generator is functionally broken down into nine major functional blocks.

7-91. The first block is the 0 to +6 V reference sweep circuit. The reference sweep is generated by operational amplifier Z3 with the integrators time constant enabled by the SCAN TIME/DIV switch.

The output is then applied to the non-inverting input of comparator Z8, which sets up the retrace signal. The other input to the retrace circuit comes from the scan mode sync functional circuit. The various sync signals come in on pin 20 of J1 and into comparator Z12 whose threshold level is set to initiate the start pulse for the reference sweep. The balance of the blanking is set by the end of band blanking circuit which senses the position of the Yig oscillator, and by comparing it to the offset, initiates the high and low end blanking pulses.

7-92. The reference sweep is processed through several switches. The output is then applied to the display horizontal gain and sweep amplifier circuits. The display horizontal gain circuit takes the main sweep and provides it with gain and offset. The output of the display horizontal gain circuit is the ramp signal that is applied to the X input of the display in the analog mode and also provides the sweep for the digital mode. The output gain is set by adjusting potentiometer R21. The other functional block that the reference sweep is applied to is the sweep amplifier. This sweep amplifier circuit amplifies the sweep to approximately +30 Vdc, and provides the offset to center the display. The adjustment of potentiometer R12 allows for precise centering. In addition, this circuit provides the level shift for the time domain mode.

7-93. This output of the sweep amplifier circuit is then processed through the SCAN WIDTH/DIV switch and into the tuner and sweep combiner functional block. The signal is combined in this block with the output of the tuning amplifier circuit. The signal is processed through a differential amplifier Z16 and is boosted such that there is sufficient sweep to drive the Yig filter and oscillator. The offset is controlled by the main tuning potentiometer.

7-94. The tuning marker circuit generates the marker as a function of the tuning position and sweep. Its output is offset and processed before being fed into the vertical deflection plates of the CRT in the analog mode or the vertical deflection circuits in the digitized mode.

7-95. The last functional block is the LCVCO tuner sweep circuit. This circuit provides the VCO sweep signal to local oscillator 1A10A6 in the phase lock loop mode. It also receives an offset from the auto centering circuit. This circuit in turn provides an offset to the second oscillator at phase lock acquisition.

**7-96. Troubleshooting.** To troubleshoot the sweep generator, proceed as follows:

1. Check TP5 for the reference sweep. With SCAN TIME/DIV switch set to **3** and DOMAIN switch set to **FREQ**, with a 100 MHz/div scan width, the sweep should be 0 to +6 volt ramp 30 msec in duration. If a sweep doesn't appear, check Z9 pin 12 for a retrace pulse of approximately 4 volts and a period of 35 msec. The sync mode can be checked by going into the Line sync and signal tracing the 8 Vac sine wave through the scan mode sync circuit.

2. After checking reference sweep signal, verify that the main tuning voltage is being applied to connector J1-12. Verify that the main sweep signal is being applied to connector J1-4 and J1-2.

3. Using an oscilloscope, check TP2 for the ramp signal. Adjust potentiometer R21 and verify that the amplitude changes.

4. With the RF RANGE (GHz) switch set to 1.8 to 4.0 and the SCAN WIDTH/DIV switch set to 700 MHz/div, verify that the high and low end blanking is working properly. Verify that the respective potentiometers R42 and R43 cause the blanked areas to change in size.

5. Set the SCAN WIDTH/DIV switch to 10 MHz/div. Check TP1 for a sweep of approximately 30 volts peak-to-peak. Check Z14 pin 3 for the same voltage.

6. While monitoring TP4, vary the main TUNING control and verify that a sweep of approximately +8 volts is present and being offset as the TUNING control is rotated. If the sweep isn't present, trace back through the tuner and sweep combiner, and tuning amplifier circuits to fault isolate to the defective component.

7. To check for the local oscillator sweep, set the SCAN WIDTH/DIV switch to 300 KHz/div. Monitor TP3 for a sweep of approximately +11 volts.

8. Vary the TUNING control and watch for offset. If no sweep appears, check J1-7 for a sweep and J1-6 for a dc offset into the differential amplifier.

9. Set SCAN WIDTH/DIV switch to 100 MHz/div, set the FULL RANGE switch to ON, and check for a tuning notch on the screen. Vary the main TUNING control and see that the notch moves. If the notch is present and doesn't move, check the input of Z15 for the tuning voltage. If the notch isn't present, check Z15, Z11, and Z17. Verify that the notch is present on J1-9. The notch should be approximately 200 mV in amplitude.

### **7-97. PROCESSED VIDEO PRINTED CIRCUIT BOARD 1A12.** (See Figure 7-34.)

**7-98. Circuit Description.** The processed video printed circuit board consists of eight functional areas. The video input from LOG IF signal is applied to the video amplifier circuit. This circuit is a differential amplifier consisting of transistors Q1 and Q2. The video constant current generator circuit ensures a constant current in this amplifier. In addition, balance and offset signals are applied to the video amplifier. These signals offset the output. The output is applied to the video filter select circuit. This circuit supplies the automatic video filtering for the system as a function of the IF bandwidth that is selected. The video output is processed through the LIN/log variable video filter select circuit. This circuit consists of a series of five FET switches (Q11 through Q14 and Q18), which are energized such that either the video is processed through transistors Q11 and Q13, or when the linear mode is selected (transistors Q12, Q13 on), the video is processed through the log to linear converter circuit. When the variable video filter circuit is energized, the video signal is processed through transistors Q11, Q14, and Q18. Capacitor C20 and the setting of the variable video bandwidth potentiometer combine for the RC time constant that create the video smoothing.

7-99. The output of the video filter select circuit supplies video for the video buffer and the contrast baseline clip circuits. The video buffer processes the video offsets, the video, and directly couples this signal to the rear panel video output.

7-100. The contrast baseline clip circuit takes both internal and external blanking pulses and applies them to the display. The circuit also contains the contrast and baseline circuit consisting of Z5, which is used in the analog mode. The last circuit is the blanking output, which takes the blanking signal and inverts it. This signal is then fed to the rear panel blanking output.

**7-101. Troubleshooting.** Troubleshooting of the processed video printed circuit board is accomplished by signal tracing.

1. Set the VERT SCALE/DIV switch to **10** log, a center frequency of 3000 MHz and the SCAN WIDTH/DIV switch to 10 MHz. Center a signal on the display.

2. Using an oscilloscope, verify the presence of the video signal on test point TP1. Make sure the VAR VIDEO BW control is fully clockwise (calibration mode).

3. Signal trace the video signal up to test point TP2. This confirms the operation of the video amplifier, the video constant current generator and the video filter select circuits.

4. Check test point TP3 for the presence of the video signal. If it is not present, signal trace from test point TP2 to test point TP3. The FET switches (Q11 through Q14 and Q18) are controlled by a series of transistor circuits (Q9, Q10, Q15 and Q17), whose inputs are either open or grounded.

5. Troubleshoot the contrast baseline clip circuit by signal tracing the blanking pulse through this circuit.

**7-102. REGULATOR BIAS PRINTED CIRCUIT BOARD 1A13.** (See Figure 7-35.)

**7-103. Circuit Description.** The regulator bias printed circuit board consists of eight major circuits. These circuits are the plus and minus 6 volt regulators, the +12 unregulated, the -6 volt unregulated, the comb energize delay circuit, the harmonic mixer bias voltage source, the band 5 full range marker offset and the PLL auto centering circuit.

7-104. The plus and minus 6 volt references are derived by taking the system's +18.3 Vdc and dropping it down to +6.2 Vdc through zener diode CR9. This voltage is processed through two operational amplifier regulators (Z1 and Z2) to produce a stable ±6.000 Vdc. The sensing is done remotely. The plus 12 volt and minus 6 volt unregulated sources are derived by dropping down the ±18.3 volts through zener diodes CR8 and CR6 and using a transistor (Q3 and Q2) to maintain the voltage required. The comb energize delay circuit consists of transistor Q1, which is fired by -18 Vdc. This in turn controls the gate of silicon controlled rectifier

VR1. When the VR1 fires, it is slowed down by an RC time constant, which provides the delay to the turning on of the comb source.

7-105. The harmonic mixer bias circuit basically provides a switched dc voltage to the mixer bias assembly. Diodes CR1 through CR5 provide the block to the dc, for the non-energized bands.

7-106. The band 5 full range marker offset circuit provides a switched ground, when both band 5 and the FULL RANGE switch are energized at the same time.

7-107. The last circuit is the PLL auto centering. The loop output error voltage is measured by this circuit. PLL takes the loop output error voltage, provides a gain of 3 through Z10 and converts the analog voltage into a digital word in A/D converter Z9. The digital word is sampled and held by Z7 before it is reconverted into an analog voltage of equal magnitude. This voltage is then inverted and given band gain compensation, in Z3 when needed, and finally the signal is fed into a constant current generator Z4. The constant current generator outputs a signal to the summing input of an operational amplifier which is located on the Sweep Generator Printed Circuit Board 1A11. This amplifier, in turn, feeds the sweep to the 248 MHz oscillator and indicates to the oscillator that it must move an amount equal and opposite to the loop error voltage. This is what causes the image signal on the screen to center after phase lock acquisition. The intent of this circuit being that it cancels out any offset that may have been introduced by the main local oscillator, while trying to acquire one of the reference comb lines.

**7-108. Troubleshooting.** The regulator bias printed circuit board is broken down into nine functional blocks. To troubleshoot the regulator bias board, proceed as follows:

1. Using a digital voltmeter, check test point TP5 for +6.00 ±.01 volts. If the voltage is not present, check the low voltage power supply 1A4 for ±18.3 Vdc. Check the cathode of CR10 for a 6.2 Vdc. If this voltage is not present, check operational amplifier Z2, and transistor Q5.

2. Using the digital voltmeter, check test point TP4 for -6.00 ±.01 volts. If the voltage isn't present, check operational amplifier Z1, and transistors Q7 and Q8.



3. Verify that the unregulated supply voltages are present. Test point TP3 should read +12 Vdc and test point TP1 should have a -6.0 Vdc on it.

4. To check the mixer bias circuit, verify that the RF RANGE (GHz) switch is in band 1 (.001 – 2.0 GHz). Check J1-1 for +18.3 Vdc. Monitor J1-6 with a digital voltmeter. Check that a small dc voltage is present, as the RF RANGE (GHz) switch is switched through bands 2 to 5.

5. Set RF RANGE (GHz) switch to band 5 (10 – 22 GHz). Monitor J1-7 with a digital voltmeter. Set FULL RANGE switch to ON. Verify that +24 Vdc is present at J1-7 and that P1-B6 is grounded.

6. To check the comb energize delay circuit, push the SIGNAL CENTER control in, and verify that -18 Vdc is switched to J1-36. Using an oscilloscope, verify that the -18 Vdc is outputted from J1-8 with a slight delay. If this circuit is not functioning properly check transistor Q1 and silicon controlled rectifier VR1.

7. To troubleshoot the PLL auto centering circuit, open the circuit at J1-16 and inject +1 Vdc into J1-16. Using a digital voltmeter, measure the voltage at test point TP2. The gain of the PLL error amplifier is approximately 3. Therefore, the voltage at test point TP2 should be approximately 3 Vdc. Set the SCAN WIDTH/DIV switch to 300 KHz/div. The voltage at J1-21 should be 3 Vdc. If this voltage isn't present, verify that operational amplifier Z8 is holding the outputs of Z9 low out of phase lock as the A/D converter is a tri-state logic integrated circuit. With the RF RANGE (GHz) switch set to 1.8 to 4.0 (band 2), check the voltages at Z3 pin 6. The voltage should be 1.5 Vdc. The voltage at P1-B9 should also be 1.5 Vdc.

#### 7-109. DIGITAL DISPLAY PRINTED CIRCUIT BOARD NO. 2 1A14. (See Figure 7-36.)

**7-110. Circuit Description.** Digital display printed circuit board No. 2 consists of nine functional circuits. Two oscillators (gate oscillator and 250 KHz count oscillator) provide the gate pulses and clocking signals for the board. The gate oscillator clocks the gate, which fires Z11B. The Q output of Z11B causes the FET transistor switch Q1 to switch on and differentiator Z6 to generate a sweep between 0 and +18 Vdc. This sweep output is then fed into operational amplifier Z7, where it is offset by -18 Vdc. The resultant output is a sweep signal that varies between +18 Vdc and -18 Vdc. This sweep is

directly coupled into operational amplifier Z2 along with the output of the digital display gain circuit. The converter circuit also has the main tuning voltage offsetting it, and a feedback circuit, which is band sensitive. These outputs feed directly into comparator Z3, which provide the gate shut down command to Z11A. The latch circuit holds the count until the counter disable signal is applied.

**7-111. Troubleshooting.** To troubleshoot digital display printed circuit board No. 2, proceed as follows:

1. With the RF RANGE (GHz) switch set to the 1.8 – 4.0 GHz position, ground test point TP1. The CENTER FREQUENCY (MHz) readout should read 3000. Adjustment of the band 2 display slope potentiometer R66 may be necessary, in order to obtain this result.

2. Using an oscilloscope, check the output of operational amplifier Z6 for a 0 to +18 Vdc varying waveform.

3. Monitor test point TP2 for a waveform varying from +18 Vdc to -18 Vdc range.

4. Remove the ground from test point TP1. Vary the TUNING control, while monitoring the output of Z1. Verify that the tuning offsets the voltage level at the output.

5. Check Z13 pin 11 and verify that the pulse to shut off the gate is being made. Check to see that a negative pulse is being applied to Z11 pin 3 to open the gate.

#### 7-112. DIGITAL DISPLAY PRINTED CIRCUIT BOARD NO. 1 1A15. (See Figure 7-37.)

**7-113. Circuit Description.** Digital display printed circuit board No. 1 consists of a series of gates (Z1, Z2, Z10) which, when grounded as a function of the frequency band selected, causes a count pulse to be processed. The output of the gates are a series of SN74176 integrated circuits Z8, Z16, Z17 and Z24, which function as a ripple counter. These counters are followed by a SN7475, which is a four bit bistable latch (Z20 through Z23). These integrated circuits act as a temporary storage register of the binary information until it receives a transfer pulse from Z11 of digital display board No. 2 1A14. When the transfer pulse occurs, the information is gated to a BCD-to-seven segment decoder driver, which converts the count for the seven segment LEDs.

**7-114. Troubleshooting.** Troubleshooting of digital display printed circuit board No. 1 is accomplished by signal tracing. Verify that digital display printed circuit board No. 2 1A14 is operating properly and that the preset strobe and clock pulse are present. Also make certain the latch command is present on the board.

1. Set the RF RANGE (GHz) switch to 1.8 – 4.0 GHz (band 2) and ground test point TP1 on digital display printed circuit board No. 2 1A14. This will force the counter to read 3000 MHz, when functioning properly. Make certain that the SIGNAL CENTER and FREQ ADJ controls are centered.

2. Using an oscilloscope, check the counting sequence of the LED that is not functioning properly. The binary weight is indicated on the schematic. A logic high means that the line is turned on.

3. By removing the 250 KHz crystal on digital display board No. 2 1A14, the preset numbers should appear. By doing this, the levels on digital display board No. 1 1A15 can be checked against the preset number as follows:

Preset Number	Band
99848	1
1044	2
3114	3
4785	4
9000	5

**7-115. CRT CONTROLLER.** The following paragraphs provide circuit descriptions for the circuit boards of the CRT controller. These circuit descriptions, along with the maintenance schematic diagrams, are provided as an aid to troubleshooting. The CRT controller consists of the following printed circuit boards:

- a. Frequency and Power Reference Encoder 1A16.
- b. Character Generator and Data Encoder 1A17.
- c. Horizontal Timing 1A18.
- d. Display Timing and Horizontal Output 1A19.
- e. Pushbutton Interface and Line Generator 1A20.
- f. Data Digitizer and Memory Logic 1A21.

**7-116. Frequency and Power Reference Encoder Printed Circuit Board 1A16.** (See Figure 7-38.)

7-117. The function of the frequency and power reference encoder printed circuit board is to encode the output sign and/or digits from Absolute Power Board 1A6 and Digital Display Boards 1A14 and 1A15 into the five least significant bits of an ASCII format (refer to Table 7-3).

7-118. Upon the automatic selection of the center frequency encoder, the ENCFR- signal goes low. This signal now enables the tri-state outputs of the 74LS251 chips (Z12, Z11, Z10, Z9, Z13). These chips in turn drive ASCII0+, ASCII1+, ASCII2+, ASCII3+, and ASCII4+ respectively. These five bits represent the five least significant bits of the ASCII code. On Character Generator and Data Encoder Printed Circuit Board 1A17, the ASCII5+ and ASCII6+ signals are set to one and zero respectively allowing a selection of any ASCII numeric and several symbols including the decimal point and blank.

7-119. The frequency information is encoded into seven separate characters beginning with two numerics and/or blanks, followed by a symbol (blank or decimal point) which is followed by three more numerics and/or blanks, followed by an alpha character (M or G). The five digit information enters the board as five binary coded four bit bytes. Associated with each digit, except the least significant digit, is an active low blanking signal (FRBK1-, FRBK2-, FRBK3-, and BRBK4-). When a blanking signal is low and the BCD code is zero, the ASCII code for the associated digit will represent a blank

Table 7-3. ASCII Format

Character	ASCII Hexadecimal Code
0	30
1	31
2	32
3	33
4	34
5	35
6	36
7	37
8	38
9	39
Blank	20
+	2B
-	2D
.	2E

digit. When the FRBK2- blank signal is active low, the third most significant character will be a blank; otherwise, it would be a decimal point. The least significant character would be an M under this condition (representing MHz); otherwise, it would be a G (representing GHz).

7-120. A decoder within each 74LS251 chip selects the appropriate input character by decoding the DBIT2+, DBIT1+, and the DBIT0+ signals. A 000 code, respectively, indicates that the most significant character is being encoded, and a 110 code indicates that the least significant character is being encoded.

7-121. Upon the automatic selection of the power reference encoder, the ENREF- signal goes low. This signal now enables the tri-state outputs of the 74LS251 (Z14) and the 74LS253 chips (Z16, Z15). These chips in turn drive the ASCI0+, ASCI1+, ASCI2+, ASCI3+, and ASCI4+. As with the frequency encoder ASCI5+ and ASCI6+ are set to one and zero, respectively, on Character Generator and Data Encoder Printed Circuit Board 1A17.

7-122. The power reference information is encoded into four separate characters beginning with a symbol (+, - or blank) which is followed by three numerics and/or blanks. When the PRFP- signal is low, a "+" character is encoded as the most significant character, and when PRFM- is low, a "-" character is encoded. If both PRFP- and PRFM- are high, then a blank character is encoded as the most significant character. The second most significant character is encoded by PRF01-. When PRF01- is low, the character will be a "1"; if PRF01- is high, the character will be a blank. The least significant and second least significant digits are encoded into ASCII format from the input BCD signals. The second least significant digit, however, differs from the first in that it will be coded as a blank character whenever the second most significant digit is a blank and the input coding for the second least significant digit is a zero.

7-123. A decoder within each 74LS253 and the 74LS251 chip selects the appropriate input character by decoding the DBIT1+ and the DBIT0+ signals. A 00 code, respectively, indicates the most significant character is being encoded and an 11 code indicates the least significant character is being encoded.

7-124. The PRFBK- signal, which is generated on Absolute Power Board 1A6 is low whenever the EXPAND switch is set to NOISE and the VERT SCALE/DIV switch is set to a position other than **10** LOG. In this state, the PRFP- and PRFM- signals will be high and the multiplexers will remain in the most significant character position. This will force a blank character on all four character positions on the display.

7-125. All input signals from the digital display and absolute power boards are buffered by the 7416 chips. The outputs from these chips are tied to a rear panel connector in order to provide external monitoring of the frequency and power parameters. In addition, four ground points are provided to the rear connector as a reference.

#### **7-126. Character Generator and Data Encoder Printed Circuit Board 1A17.** (See Figure 7-39.)

7-127. The function of the character generator and data encoder printed circuit board is to encode the scan time, scan width, IF bandwidth, and the vertical scale. This board also controls the character and dot pattern generation.

7-128. The scan width is encoded by two priority encoders (74LS348) Z5 and Z6. Each input to the chips is pulled up by a 10K resistor. The priority encoders encode the input scan width information into a binary format which is buffered to the rear panel through 7416 gates. This information is also buffered to a 74S471 prom (program C) Z10, via a 74LS244 chip (Z13) when ENSCW- is low. DECD2+, DECD3+, DECD4+, DECD5+ are 0000, respectively, when a 1 KHz/division scan width is selected by SCAN WIDTH/DIV switch 1A2A1 (SWIX3- is low) and 1011 when a 700 MHz/division scan width is selected by SCAN WIDTH switch 1A2A1 (SW7X8- is low). Only one of the 14 input signals may be low at one time for proper encoding of the input.

7-129. The scan time is encoded by two priority encoders (74LS348) denoted by Z14 and Z15. Each input to both chips is pulled up by a 10K resistor. The priority encoders encode the input scan time information into a binary format which is buffered to the rear panel through 7416 gates. This information is also buffered to a 74S471 prom

(program C) Z10, via a 74LS244 chip (Z13) when either ENSCT- or ENSTS- is low. DECD2+, DECD3+, DECD4+, DECD5+ is 0000, respectively, when a 1 sec/division scan time is selected by SCAN TIME/DIV switch 1A2A1 (ST100- is low), and 0101 when a 10 μs/division scan time is selected by SCAN TIME/DIV switch 1A2A2 (ST1X5- is low). Only one of the 11 input signals may be low at one time for proper encoding of the input.

7-130. The vertical scale is encoded by priority encoder (74LS148) Z24. Each input to the chip is pulled up by a 10K resistor. The priority encoder encodes the input vertical scale information into a binary format which is buffered to the rear panel through 7416 gates. This information is also buffered to a 74S471 prom (program C) Z10, via a 74LS244 chip, Z12, when ENVTS- is low. DECD2+, DECD3+, DECD4+, DECD5+ are 0000, respectively, when the linear scale is chosen (AMPLX- is low), and 1100 when a 10 dB/division scale is chosen (AMP10X- is low). Only one of the four input signals may be low at one time for proper encoding of the input.

7-131. The IF bandwidth is encoded by priority encoder (74LS148) Z21. The inputs to the encoder come from four inverters which are driven from voltage dividers. These voltage dividers are provided to limit the output voltage swing as the input logic levels swing between -18 volts to +18 volts. The series diodes are added to protect the input circuitry. The four output dividers also drive four 7416 gates, which are used to drive front panel LEDs, which indicate the bandwidth selected.

7-132. The priority encoder encodes the input IF bandwidth information into a binary format, which is buffered to the rear panel through 7416 gates. This information is also buffered to a 74S471 prom (program C) Z10, via a 74LS244 chip, Z12, when ENIBW- is low. DECD2+, DECD3+, DECD4+, DECD5+ are 0000, respectively, when the 1 kHz bandwidth is selected (I1X0X+ is +18 volts), and 1100 when a 1 MHz bandwidth is selected (I1X3X+ is +18 volts).

7-133. An output driver circuit to drive the UNCAL LED on the front panel is provided on this board. The active low output stage is provided by a 7416 gate, which is driven by a delay circuit whose output is Q1. The delay circuit integrates any input changes such that the input must be present for a

minimum of 300 msec before the LED assumes the desired state. This circuit is included to prevent LED flicker when changing between two uncalibrated positions of the IF bandwidth.

7-134 The AI1X1+, AI1X2+ and AI1X3+ input signals represent the automatically selected IF bandwidth signals. These signals are active high at +18 volts and low at -18 volts. Divider circuitry and input diode protection similar to that of the manually selected IF bandwidth signals are provided. Additional logic is provided in order to assure a logic 1 signal on pin 8 of Z19 is present when an uncalibrated IF bandwidth condition occurs. This high signal will illuminate the UNCAL LED after the previously mentioned delay condition.

7-135. An uncalibrated IF bandwidth condition exists whenever the manually selected IF bandwidth is lower than the automatically selected IF bandwidths. The output of the 74LS20 gate, Z19 pin 8, adheres to the following equation:

$$\begin{aligned} \text{output} = & [(AI1X1+) \cdot (I1X0X)] \\ & + [(AI1X2+) \cdot ((I1X0X+) + (I1X1X+))] \\ & + [(AI1X3+) \cdot ((I1X0X+) + (I1X1X+) \\ & + (I1X2X+))] \end{aligned}$$

7-136. The remaining logic on this board provides the control for character generation and the data encoders. The major control element is 74S471 program B prom Z8. This prom provides the ASCII code for all non varying alphanumeric on the display and provides for the proper selection of the data encoders. The input of this prom directs the prom as to which area of the screen is being currently scanned. CADD5+, CADD4+, and CADD3+ indicate the vertical character position of the scan. A 000, respectively, indicates a bottom row scan. CPRGT+, CPAD8+, CPAD4+, CPAD2+, and CPAD1+ indicate the horizontal position of the character that is being scanned. CPRGT+ is high when the group of characters in the right half of the screen is being scanned, and it is low when the group on the left is being scanned. CPAD8+, CPAD4+, CPAD2+, and CPAD1+ is 0000, respectively, when the leftmost character of a group is being scanned, and 1011, respectively, when the rightmost character is being scanned. The AMPLX- input is provided at this point to optimize the data usage of this prom. When low, this signal provides an address modification to label the word LINEAR on the display below VERT SCALE.

7-137. As mentioned earlier, the outputs of this prom consists of two types of information:

- a. ASCII data for the fixed alphanumeric characters.
- b. Data source selection.

7-138. When a fixed alphanumeric character is to be displayed, data bit 8 from Z8 is low thereby enabling the 74LS244 tri-state buffers on Z9. Data bits 0–7 will contain the ASCII code for the given character and will be buffered to the MCM6674 character generator, Z18. The character generator decodes the ASCII input into a 7 x 5 dot matrix pattern. This chip provides a five bit row output for each character whose row is selected by the CADD2+, CADD1+, and CADD0+ inputs. A 001, respectively, decodes the top row, and a 111, respectively, decodes the bottom row.

7-139. When a variable alphanumeric is to be displayed, data bit 8 from Z8 is high, thereby disabling Z9, and enabling one half of dual two-to-four line multiplexer (74LS139) Z2. Through the decoding of data bits six and seven either one of the following variable alphanumeric data sources will be enabled: power reference, center frequency, the first digit of the scan time (using decoder prom Z10), or the second decoder which, in turn, decodes the remaining input parameters which use decoder prom Z10.

7-140. The center frequency (ENCFR- low) and power reference (ENREF- low) are decoded in the same manner. When enabled, both ASCI5+ and ASCI6+ signals are enabled through the 74LS125 buffers, Z1, which are, in turn, controlled by DBIT3+ and DBIT4+, respectively. The remaining ASCII bits (which are decoded through the MCM6674 character generator Z18, are driven by the selected output buffers. The character position that is being decoded is denoted by DBIT2+, DBIT1+ and DBIT0+. The leftmost varying character is 000, respectively, and the rightmost is 111, respectively.

7-141. When the second decoder is enabled, or when ENSTS- is enabled, the decoder PROM, 74S471 program C, Z10, is also enabled. This PROM provides the ASCII codes to character generator Z18. The character to be displayed is determined through three sets of inputs to this prom. First DBIT0+ and DBIT1+ indicate which parameter is being decoded, and DBIT3+ and data bit 4 indicate which of four variable characters of the

parameter is being encoded. DECD5+, DECD4+, DECD3+, and DECD2+ are encoded inputs from the tri-state buffers of the selected input parameter, indicating the current parameter value.

7-142. Through this method, the five bit code for each row of each alphanumeric character displayed on the screen will be sequentially present at the output of the character generator.

#### **7-143. Horizontal Timing Printed Circuit Board 1A18.** (See Figure 7-40.)

7-144. The horizontal timing printed circuit board provides the control logic that is needed to provide a horizontal sweep for both the alphanumeric characters and digital waveforms, as well as analog waveforms. This board also formats the output dot pattern. The horizontal timing board accepts the five bit output data code from Character Generator Data Encoder Printed Circuit Board 1A17 and applies it to the parallel inputs of the 74LS166 shift register (Z17). With the control of the LOADX- and SHIFT+ signals (generated on Display Timing and Horizontal Output Printed Circuit Board 1A19), the data is shifted out on the DOTDS+ signal line through transistor Q1 and voltage divider R4 and R5. The output waveshape will be approximately 1.1 volt peak when a dot is to be activated, and 0 volts when a dot is not to be activated.

7-145. The remainder of this board is used to control the display mode and horizontal ramp output. The 74LS161 (Z1) pin 13 and 14 control the output mode of the display. When pin 13 is high, the alphanumeric characters are being scanned; when low, a waveform is being scanned. When pin 14 is high, waveform B is being scanned, and when low, waveform A is being scanned. When the RDTEN+ signal input (from Pushbutton Interface and Line Generator Printed Circuit Board 1A20) is low, the alphanumeric readout is disabled.

7-146. The horizontal binary weighting is counted on three 74LS161 chips (Z18, Z19, Z20). These three chips count from 0 to 1024 when displaying either an A or B waveform. When displaying characters, the counters will count from 0 to 246, and then parallel load when CRSET- is low and count from 775 to 1024. The vertical row count is handled by two 74LS161 chips (Z21, Z22). The CADD2+, CADD1+, and CADD0+ outputs from Z21 represent the dot row within a character; the counter parallel loads at 001, respectively, (representing the

top row) and counts to 111 (representing the bottom row). The CADD5+, CADD4+, and CADD3+ signals represent the row of characters being scanned. A 000 represents the top row, and a 101 represents the bottom row. Upon completing the bottom row, a 74LS10 gate (Z23) decodes this occurrence and through a 74LS08 gate (Z15) enables a parallel load to Z1, thereby disabling the alphanumeric readout for the rest of the present display cycle. The 74LS161 counter (Z2) is included to allow a retrace time to exist between scans. A 1.75 usec retrace time is provided between character scans and a 24 usec retrace time is provided between digital waveform scans.

7-147. The 74LS74 flip flops, Z10, are used to reset the horizontal counters and disable them until the reset period has ended. The flip flops also provide the HRRST- (Horizontal Reset Strobe) and SWPEN+ (Sweep Enable Signal). The 74LS157 chip, Z9, multiplexes both the horizontal clock output and the data clock. The horizontal clock may be either 4 MHz (created by a 74LS124 (Z8) and crystal Y1 or 250 kHz which is divided down from a 4 MHz on Pushbutton Interface and Line Generator Printed Circuit Board 1A20. The data clock, which drives the vertical output register, may be either 4 MHz or the horizontal clock gated by DSLAT-. The multiplexer is controlled by the DSCHR+ (Display Character Signal) gated by the horizontal reset signal. DSCHR+ also controls the DOTEN- signal which is used to steer the intensity output multiplexer on Pushbutton Interface and Line Generator Printed Circuit Board 1A20.

7-148. The 74LS74 flip flops, Z5, are used to control the alphanumeric scans in the auto bypass mode when a horizontal sweep faster than 3 msec/div is required, or when a sweep of 3 msec/div is present during the bypass mode. When the Q output (pin 5, Z5) goes high, it permits counters Z18, Z19, Z20 to increment, and thus allows the display of characters to begin tracing once after the end of the next horizontal sweep. In this realtime mode, the ratio of alphanumeric sweeps to waveform sweeps varies with the sweep time chosen. At 1 msec/div and 3 msec/division, the ratio is 1 to 1; at 0.1 msec/div the ratio is 1 to 2, and at .01 msec/div the ratio is 1 to 5. This ratio is required as to permit the greatest amount of analog sweeps to be displayed per second and still allow alphanumerics to be presented without flicker.

7-149. The division of the waveform sweeps is handled by a 74LS161, Z6. Its count is modified by the parallel inputs, pin 3 and 4, which are controlled by the ST1X5- input (10 usec sweep). The output of the counter is gated to control flip-flop clock, Z5 pin 11, by the ST1X5- and ST1X4- inputs (10 usec/div and 100 usec/div sweeps respectively). The input to the counter, BGSWP+, goes high every time a new waveform sweep begins. The MANUL- signal (low when in manual mode) and the CALEN- signal (low when the internal calibration signal is on) will both disable the auto bypass mode (intermingling alphanumeric data with analog waveforms at sweeps faster than 3 msec/div).

7-150. The output signal, SBYPSP+, is used to control the X and Y multiplexers on Display Timing and Horizontal Output Printed Circuit Board 1A19, as well as the intensity output on Pushbutton Interface and Line Generator Printed Circuit Board 1A20. When SBYPSP+ is high, all the analog waveform data is displayed on the screen; when low, all the digital data is displayed. The output controlling gate, 74LS01, Z4, pin 10, is controlled by two inputs. Z12, pin 9, when low, will always produce a bypass mode (analog waveform). This occurs when the unit is in auto bypass, or in bypass at 3 msec/div sweep and the analog sweep is being scanned on the screen. In all other modes, this signal is high permitting the 74LS02 output Z12, pin 10 to be the gating signal. This signal will be low and enable the analog waveform whenever the readout is disabled (RDTEN+ is low) and the auto bypass mode is enabled, or a 3 msec/div sweep is present in the bypass mode (the manual and calibration modes must be disabled). This signal will also be low whenever the bypass mode is chosen and the auto bypass is disabled and either the manual mode, calibration mode or non-auto bypass mode is selected. ARDDS- is an active low signal indicating that the system is in the auto bypass mode, or when a 3 msec/div sweep is selected while in the bypass mode. ABYDS- is an active low signal indicating that the system is in the auto bypass mode only.

#### **7-151. Display Timing and Horizontal Output Printed Circuit Board 1A19.** (See Figure 7-41.)

7-152. This board provides the timing for both the dot and line generation, as well as the analog horizontal output, and a 4 MHz clock divider, which divides the clock to a 1 MHz output.

7-153. The dot generator timing is accomplished through the clocking of three 74LS161 counters, Z2, Z16, Z17. The counters are reset by HRRST- at the end of each sweep. The count is enabled by two input signals, DSCHR+ and SWPEN+. DSCHR+ is true whenever an alphanumeric sweep is in progress, and SWPEN+ is true whenever a horizontal sweep is in progress.

7-154. CPRGT+ is true whenever the right group of characters is being scanned, and false whenever the left group of characters is being scanned. CPAD8+, CPAD4+, CPAD2+, and CPAD1+ count the characters horizontally, as they are scanned in each group. A 0000 count, respectively, represents the leftmost character in a group of twelve, and a 1011 represents the rightmost character. The CHARL+ signal becomes true once after the fourth dot of every character, and becomes false after the character has been completed. This signal synchronizes loading of analog waveform data into memory on the Data Digitizer and Memory Printed Circuit Board 1A21. The SHIFT+ pulse becomes true after every three input counts and either parallel loads the dot data onto the shift register on Horizontal Timing Logic Printed Circuit Board 1A18, or shifts the data out depending on the logic level of the LOADX- signal. This signal also enables the output dot driver. The LOADX- signal is active low once during the beginning of each character on the sweep. This permits the parallel loading of the character dot information and the display of the leftmost dot. The CRSET- signal provides a parallel load of the horizontal output counters after the first twelve horizontal characters have been displayed (left group is complete). This jumps the CRT beam to the right side of the display to begin scanning the right group. This parallel load occurs on the second pulse after the fifth dot of the twelfth character. The 74LS74 flip-flop output, Z21, pin 8, is used to stretch the access time needed by the character generator and data encoder board by 250 ns from 500 ns to 750 ns. The DSLAT- signal is active low and prevents the horizontal output from changing position but once in every three clock counts. This facilitates the setting of the dot position and prevents dot smearing on the screen.

7-155. The two flip-flops on 74LS74, Z19, divide the input clock to a 1 MHz output, which is used on the Data Digitizer and Memory Printed Circuit Board 1A21.

7-156. The 74LS161, Z18, counter controls the line generator counter. The LGB16+, LGB08+, LGB04+, LGB02+, and LGB01+ signal lines provide a 29 state counter counting from 00011 to 11111, respectively. The first counting series which occurs after the alphanumeric scans are complete; however, it has 32 states counting from 00000 to 11111, respectively. The LGTCC+ and LGTCC- signals are positively and negatively active, respectively, whenever a terminal count of 11111 is present.

7-157. The 74LS74 flip-flops on Z3, and the 74LS273, Z11, are used to latch digital horizontal position data whenever HRCLK+ goes high. The outputs of these latches are cleared to zero when HRRST- goes low. The output of these latches are presented to an MC3410C 10 bit D/A converter, Z4. The -4 mA output on pin 3 is then converted to an output voltage through the LF356, Z5. This voltage, whose offset and gain can be varied by R7 and R6, respectively, represents an analog output sweep. The output sweep is then presented to the input of an IH5043 multiplexer, Z6 pin 6, along with the output sweep (Ramp) of the Spectrum Analyzer which is input at pin 8. SBYPs+ controls the multiplexer and directs the chosen input to the Horz output, which is connected to the X input of the CRT display. When SBYPs+ is high, the ramp input is enabled; when low, the D/A output is enabled.

7-158. The second half of the IH5043 works in a similar manner by multiplexing the digitally created vertical signal (DVERT+) and the analog vertical signal (BVIDEO) to the Vert output signal which is connected to the Y input of the CRT display. When SBYPs+ is high, the BVIDEO signal is selected; when low, the DVERT+ signal is selected.

**7-159. Pushbutton Interface and Line Generator Printed Circuit Board 1A20.** (See Figure 7-42.)

7-160. This board contains the following elements: ±15 volt regulators, +10 volt reference, alphanumeric line position prom, calibration circuit, line generator, pushbutton interface, and memory mode controller.

7-161. The +15 volt and -15 volt power source for this board and other boards within the CRT controller are regulated on the LM340 T-15 chip, Z43,

and the LM320T-15 chip, Z42, respectively. The output voltages are regulated from an input system power source of +18 volts and -18 volts.

7-162. The +10 volt reference which is supplied by a TL074C operational amplifier, Z19, a 2N4401 transistor, Q1, a 1N825 (6.2 volt zener diode), CR1, and several resistors, supplies a stable reference to all digital to analog converters, as well as to some op amp summing junction resistors which are used to offset the outputs. No adjustments are supplied in this reference to compensate for the zener diode voltage variations, because any reference offset is compensated in each op amp configuration during the calibration procedure.

7-163. The alphanumeric line position prom (74S471, Z26) provides the vertical position data that is required in accordance with the CADD0+ through CADD5+ input signals. These input signals which are developed on Horizontal Timing Printed Circuit Board 1A18 provide information as to which character row is being scanned and which row within the character is being scanned. The output of the prom provides a binary weighting of the vertical position which is presented to the 74LS273, Z24, inputs. Whenever DSCHR- is low, the alphanumeric characters are being scanned. When DSCHR- is low, DATA0+, which is driven by its inverse DSCHR+, will be low.

7-164. The calibration circuit is enabled whenever CALIBRATION switch S1 is closed, and the system is not scanning alphanumerics on the display (DSCHR+ is low). This condition will, in turn, enable the 74LS244 buffer, Z25, which drives the DATA0+ through DATA7+ signal lines. The DATA8+ signal line is driven by the output of a 74LS01 gate, Z4 pin 1. The two input signals to this circuit, ADD07+ and DSAEN+, encode the data outputs required to display the calibration waveforms. When DSAEN+ is high, the system is scanning the channel A waveform, enabling the ADD07+ signal to modify the data outputs. The ADD07+ signal is a squarewave signal, which is one address bit of the horizontal position counter located on the horizontal timing card. This signal produces a four cycle squarewave waveform on the display whose amplitude varies from the top most graticule line to the bottom most graticule line. The ADD07+ signal produces this waveform by concurrently controlling all the data lines (making them all ones or all zeroes at the same time). When the DSAEN+ signal is low, channel B is being scanned. In this mode DATA8+ is high, and all other data

bits are low, thereby displaying a single horizontal line located on the center graticule.

7-165. The line generator consists of the creation of a vertical line whose length is equal to the vertical distance between two consecutive dots. The line generation is initiated by creating two currents at the outputs of each of two 10 bit digital to analog converters (MC3410) Z1 and Z21, pin 3. The output of Z21 will vary from approximately 0 mA to -4 mA, depending upon the vertical position of the line generators starting point. 0 mA represents the bottom of the display while -4 mA represents the top of the display. The output of Z1 will vary from approximately 0 mA to -4 mA depending upon the direction and magnitude of the line to be displayed. 0 mA represents a line that is to be directed toward the bottom of the display, with an amplitude that extends the full vertical height of the entire graticule. A -4 mA output represents a line that is to be directed toward the top of the screen, with an amplitude that extends the full vertical height of the entire graticule. A -2 mA output indicates that the line is to have no vertical excursion. In short, currents between 0 and -2 mA are negative going lines, and currents between -2 mA and -4 mA are positive going lines. The line lengths are proportional to the delta of the given current to the -2 mA nominal.

7-166. These currents are developed through the use of latches and adders. The first data point, represented by a 9 bit data word is generated by Data Digitizer and Memory Logic Printed Circuit Board 1A21 is loaded into both a 74LS273, Z24, and a 74LS175, Z41. These bits are clocked into the latches by DTCLK+ which is generated on the Horizontal Timing Printed Circuit Board 1A18 every time a new horizontal location is attained. On the next clock pulse, this first set of data is parallel loaded into three 74LS175 chips, Z41, Z23, Z22, and the next consecutive data point data is loaded into the initial latches. At this time, two consecutive data point information is available concurrently on this board. By applying the first data work into the Z21 D/A, a current representation of the vertical position of the waveform can be obtained. By taking the inverse of this digital data and adding it to the output of the second data position through the use of three four bit adders, 74LS283, Z2, Z3, Z40, a digital weighting of the difference is obtained, indicating a digital representation of the direction and magnitude of the required line. The digital word is then applied to the input of Z1 D/A and is converted to a current, as described earlier.



7-167. The current output of the Z1 D/A is applied to the input of a TL074C op amp, Z19 pin 13. A current, created by R31, R38, and the +10V reference, is summed at this point and may be adjusted such that the total current output from the sum of these two currents will vary between +2 mA to -2 mA. The op amp will convert this current to an output voltage which varies from +2 volts to -2 volts. The voltage is applied to the input of an integrator which consists of op amp Z19, resistor R29, potentiometer R39, capacitor C7, and dual SPDT switch (IH5043) Z18. Potentiometer R39 is used to adjust the integration rate (slope). The switches, Z18, are provided to control the integration. The switch at pins 16 and 1 closes to start integration and opens to stop. The switch at pins 9 and 8 closes to reset the integrator (short capacitor C7) and opens to permit integration. The switch at pins 3 and 4 is used to initialize the integration voltage. The switch at pins 5 and 6 is used to enable a current spike into the integrator. When the integrator is enabled, this current spike is formed by the switch (C8, R27, and R40). This spike is added to compensate for the charge dumping that occurs when the switch at pins 8 and 9 is opened. Potentiometer R40 is added to compensate for varying charge dumps between IH5043 chips.

7-168. The timing for the integrator is controlled by the outputs of two J-K flip-flops on Z5. Through the use of some additional logic, the timing inputs which are generated from the line generator counter on the Display Timing and Horizontal Output Printed Circuit Board 1A19 are decoded and are used to steer the Q outputs of the flip-flops. The inverse of the 4 MHz input is used to drive the clock inputs of the flip-flops. The 250 KHz signal from Z5 pin 5 is used in timing circuits on the Horizontal Timing Printed Circuit Board 1A18.

7-169. The output of the integrator, which varies between approximately -5 volts to +5 volts, on Z19 pin 7, is then current summed through R23 and is again converted to a voltage output on pin 6 of Z20, an LM356 op amp. The output, DVERT+, is then distributed to the Display Timing and Horizontal Output Printed Circuit Board 1A19. This signal, which contains the vertical information of both the alphanumeric and digital waveforms may have its gain adjusted through R5 and have its offset adjusted through R41.

7-170. The different lengths of lines that are drawn by the generator within the same time period, require that the intensity be modulated in order to

provide display waveforms of uniform intensity. This is accomplished through the use of the output pin 14 of Z19 whose absolute value of the output voltage is proportional to the line length. By full wave rectifying this -2 volt to +2 volt output through TL074 op amps, Z38, an output voltage varying between 0 volts and 2 volts may be obtained at the pin 8 output of Z38. This output voltage is proportional to the length of the line to be drawn and is applied to the INTNS+ output, which drives the Z input of the CRT, through resistor R9 and multiplexers Z39. Potentiometer R42 is used to provide an adjustment for a nominally desired intensity offset for the display.

7-171. The intensity output must be turned on and off during the display period. This is accomplished through the use of a 2N4401 transistor, Q2, and its associated driver. The 74LS01 output, pin 10, Z4, provides the control for the output switch. The input at pin 9 enables the output when the integrator is enabled and disables it during the set up time and reset period as long as the other input, pin 8, is high. This other input, pin 8, is controlled by several inputs through the use of some random logic. The line intensity will be enabled only when SWPEN+ is high (when a digital waveform sweep is in progress). The intensity will be disabled when DSBEN+ is high (the channel B waveform is being scanned) and concurrently when ENCHA+ is high (only channel A is enabled). The intensity signal will also be disabled whenever CALEN+ is low (calibration mode is disabled) and concurrently when the input on pin 3 of Z8 (74LS02) is low. This second input is the latched output of the LBLNK- signal, which is the memory output signal, from Data Digitizer and Memory Printed Circuit Board 1A21, which controls the sections of the waveform, if any, that are to be blanked due to an uncalibrated spectrum analyzer state.

7-172. The output multiplexers, IH5043, Z39, control the source of the Z output signal, INTNS+. The multiplexer whose output is pins 5 and 9 controls whether the signal to be output is the blanking output (analog waveform intensity output, BLANK-) or the output of the previous multiplexer. These states are obtained by the input signals, SBYPs+, being high or low respectively. SBYPs+ is generated on Horizontal Timing Printed Circuit Board 1A19. The first multiplexer whose output is pins 4 and 16 selects either the dot output (DOTDS+, which is generated on the Horizontal Timing Printed Circuit Board 1A18) or the digital waveform intensity output. The DOTEN- control signal is low and high,

respectively. The DOTEN- signal is generated on Horizontal Timing Printed Circuit Board 1A18. The analog waveform intensity output, BLANK-, may be adjusted through potentiometer R43.

7-173. The pushbutton interface controls the various display modes that are enabled through the pushbuttons on the front panel. The pushbuttons used are SPDT type, break before make configuration. The two outputs of the switches are pulled up to 5 volts through a 10K resistor on the board, and the inputs to each switch are grounded. Both inputs to each switch (except that of A and B VIEW A) are input to a 74LS279 chip, Z36 or Z17, where they are debounced. The A pushbutton and B VIEW A pushbutton are handled differently as they directly interact. The active low output of each pushbutton are input to a 74LS279 flip-flop, pins 1 and 3 of Z17 through two 74LS32 gates, such that only one of two modes may be enabled at one time. These input signals are disabled when either the system is in the auto bypass mode (ABYPS- is low), or the system is in the bypass mode (pin 2 of Z51 is low). When channel A is enabled, the channel A LED is enabled by driving the 7416 output (LNCHA-) (pin 2 of Z52) low. When B VIEW A is active, the B VIEW A LED is enabled by driving the 7416 output, LNCHB-, (pin 12 of Z7) low. However, when either the auto bypass or bypass modes are active, neither LED will be enabled.

7-174. The BYPASS pushbutton toggles the outputs of a 74LS74 (pins 8 and 9 of Z50) every time it is pushed, enabling and disabling the bypass function. When the system is in the auto bypass mode, the BYPASS pushbutton will be disabled at pin 3 of Z36. When bypass is enabled the BYPSN- output will be low and the BYPASS LED is enabled by driving the 7416 output, LBYPN-, (7416 pin 10 of Z52) low. The BYPASS LED will also be enabled whenever the auto bypass mode is enabled (ABYPS- is low).

7-175. The READOUT DISABLE pushbutton toggles the output of a 74LS74, (pins 5 and 6 of Z50). When activated, the RDTEN+ signal is enabled high as well as the READOUT DISABLE LED by driving low the LDISB- signal output of a 7416 (pin 8 of Z52). When the system is in a bypass mode and ARDDS- is high, the READOUT DISABLE pushbutton inputs are disabled and the READOUT DISABLE LED is enabled.

7-176. When the SAVE pushbutton is depressed, the 74LS74 outputs (pin 8 and 9 of Z33) will toggle

if in the B VIEW A mode or the outputs of another flip-flop (pins 5 and 6 of Z33) will toggle when in the A mode, as long as the system is not in the manual sweep mode. If in the A mode, the Q output, pin 5 of Z6, will go high and input to the D pin of another 74LS74 (pin 2 of Z31). The  $\overline{Q}$  output, pin 6, will enable LDSTR-, low, in order to enable the SAVE LED. Upon having the BGSWP+ signal go high (the input analog sweep has begun) the clock input, pin 3 of Z31, goes high through the 74LS86 gate, thereby forcing the Q output high, pin 5, and the  $\overline{Q}$  output low (pin 6). This will enable STREA+ high, indicating that the data on this analog sweep is to be stored in the A memory. Concurrently, the first flip-flop will be reset, and the LED will remain enabled. When the BGSWP+ signal goes low, the analog sweep has ended. The Q output (pin 5 of Z31) will go low disabling both the LED and STREA+. When in the manual sweep mode, MANUL- is low and the second flip-flop is disabled. The first flip-flop is configured to toggle every time the SAVE pushbutton is depressed. Thus, in the manual mode, the save function may be both enabled and disabled by depressing the SAVE pushbutton. In all other modes, the save function is enabled by depressing the SAVE pushbutton and disabled automatically at the end of the next complete sweep, the channel B save mode works in an identical manner.

7-177. The hold mode is enabled by depressing the HOLD pushbutton. This will toggle the clock inputs of the 74LS74 flip-flops, Z15. When channel A is enabled, the Q output of the flip-flop, pin 9 of Z15, is high when the HOLD pushbutton is enabled. The Q output is then ANDed at the input of a 74LS51, Z10, with the channel A enable signal and the recall not output, pin 8 of Z13. The 74LS51 output is then gated with a bypass enable signal. The HOLD LED is enabled, and the SIGNAL IN LED is disabled. The output signal, INPTA+, is also disabled. The channel A hold mode is disabled whenever the input or SIG-IN MEMORY pushbutton is depressed. The channel B hold mode works in a similar manner.

7-178. The recall mode for channel A is enabled by depressing the RECALL pushbutton when the channel A mode is enabled. This enables the RECALL LED when not in a bypass mode and disables the SIGNAL IN LED. When in the channel A recall mode the DSMEM- signal is low when the DSAEN+ signal is enabled, and when in the channel B recall mode DSMEM- is low when DSBEN+ is high. Channel B hold works in a similar manner.

7-179. The input-memory function is enabled when the SIG-IN MEMORY pushbutton is depressed and clocks 74LS74 flip-flops, Z32. When channel A is enabled, the Q output is clocked high, pin 9 of Z32, and the SIG-IN MEMORY LED is enabled. This mode is reset whenever the RECALL or SIGNAL IN pushbutton is depressed. The channel B input memory mode works in a similar manner.

7-180. The CALEN- signal is used to disable the DATEN+ signal from the output of the 74LS02, pin 13 of Z8. When CALEN- is high, DATEN+ will be enabled high whenever DSAEN+ or DSBEN+ is high.

#### **7-181. Data Digitizer and Memory Logic Printed Circuit Board 1A21.** (See Figure 7-43.)

7-182. This board functions as a data digitizer by converting the analog input sweep and vertical data into digital data. This board stores this information into its memory and has the capability of normalizing this data.

7-183. The address information for the memories comes from two sources. The ADD00+ through ADD09+ signals are the horizontal data that is generated on Horizontal Timing Printed Circuit Board 1A18. These signals are enabled onto the address bus through 74LS244 chips, Z16 and Z15, when the ADDEN- signal is low. This provides the memory with readout information required during the waveform scan.

7-184. The MAD00+ through MAD09+ signals are generated through a 74LS374 chip, Z17, and a pair of 74LS125 gates whenever AADEN- is low. This provides the memories with address information of the incoming sweep that is being converted.

7-185. The DSBEN+ input signal is used to steer the memories when they are being read to refresh the display. When DSBEN+ is high, channel B is being refreshed; when low, channel A is being refreshed. The ADD11+ signal, driven by a 74LS00 output, pin 3 of Z37, is high when a recall memory is being displayed (recall or input-memory modes), or low when the input memory is being read (input or input-memory modes).

7-186. The DTIN0+ through DTIN8+ signals are a binary weighting of the input vertical signal, which are stored in a 74LS273, Z22, and a 74LS74, Z23.

These signals are the data inputs of the memory. The MDAT0+ through MDAT8+ signals are the memory output signals. The read/write and memory enable strobes are RWSTR- and MENEN- signals, respectively. The INT BLANKING signal input to memory chip Z13, is a TTL signal which when high indicates that the current information on the display should be blanked. The BAD00- through BAD08- signals are active low open collector signals buffered to the rear panel, representing the current address position of the display. The BDAT0- through BDAT8- signals are also active low buffered output signals to the rear panel that represent the current vertical data on the display. The CA+CB- buffered signal output is low when channel A is being scanned and high when channel B is being scanned. The IN+RC- buffered signal is low when the input memory is being scanned and high when a recall memory is being scanned.

7-187. The normalizer circuitry is implemented through three 74LS283 adders (Z30, Z28, and Z46). When the input-memory mode is enabled (SUBEN- is low), the recall data is enabled onto the MDATA bus and is inverted through 74LS04 gates. This inverted data is then latched into a 74LS273 octal flip-flop, Z27, and a 74LS74, Z33. The MDAT8+ signal is handled differently in that it is not inverted until after it is latched at the  $\bar{Q}$  output, pin 6 of Z33. The data signals are latched by the LTCLK-signal, which is the output of a 74LS139, pin 10 of Z34. After the recall data is latched, the input data is enabled onto the MDATA bus and is added to the stored inverted recall data. This enables a 9 bit subtraction result at the output of the 74LS283 chips. The outputs of the adders are buffered through a 74LS244 chip, Z47 and through a 74LS125 gate, pin 3 of Z49. These buffers are enabled whenever DATEN+ is high and pin 13 of Z30 is high. The other 74LS244, Z48 and 74LS125 gate, pin 11 of Z49, is enabled whenever DATEN+ is high and pin 13 of Z30 is low. This occurs whenever the signal overranges or underranges (the signal value is at the bottom of the graticule or lower, or the value is at the top of the graticule or higher). When an overrange value is calculated, the circuitry will display a waveform that is located at the top most graticule line and when it underranges, it will display a waveform on the bottom most line. When in an overrange condition, pin 11 of Z30 will be high, forcing all ones on the data bus. When in an underrange condition, the pin 11 of Z30 will be low, and all zeroes will be forced on the data bus.

7-188. The blanking output signal, LBLNK-, is generated from memory and a flip-flop. When low, the LBLNK- signal will blank the current waveform data. When in the input or recall modes, the LBLNK- signal is merely the inversion of the memory output. When in the input-memory mode, the LBLNK- signal will be low if either the input or recall signal was blanked.

7-189. The memory write control is located on this board. This process is initiated whenever CHARL+ goes high or when LGTCC- goes low. This occurrence will set the Q output of a 74LS74 flip-flop, pin 9 of Z31, if a new sample of data has been acquired, that is pin 5 of Z5 is high. This will enable a 74LS161 counter, Z32, which will count to a binary 9 and then reset to zero and stop counting. Pins 13 and 12 of the counter represents four memory states consisting of A or B storage memory or A or B input memory. These 2 bits are latched by a 74LS74, Z53, and buffered to the memory address bus through a 74LS244 chip whenever the write circuitry is enabled. The bits are also decoded into four states by a 74LS139 chip, Z34. These states are inverted and compared with the required memory states into which the data is required to be written (STREB+, STREA+, INPTA+, INPTB+). When a desired memory state is reached the MEMEN- signal goes low, enabling the memories and the RWSTR- signal, pin 8 of Z52, to provide the write strobe to these memories.

7-190. The 74LS139 decoder Z34, whose enable is pin 15, is used, together with additional logic, to provide the LTCLK+ signal (loading signal used for the normalizer), the ADD11+ signal (used to address the recall memories) and the BSTRB- signal (used to strobe in the back panel output signals). The timing of these signals is developed through the line generator control in the Display Timing and Horizontal Output Printed Circuit Board 1A19.

7-191. The analog signals are digitized in a series of stages consisting of TL074C op amps. The first stage inverts the input video signal and adds the marker to it (pin 7 of Z59). In the next stage, the combined output is amplified and an offset and gain adjustment is provided (pin 1 of Z59). Next the signal is peak detected through the use of diode CR2, analog switch Z60, and capacitor C7. The peak signal is buffered at pin 14 of Z45. The signal is sampled and held through the use of analog switch Z60 and capacitor C5. The signal is again buffered at pin 7 of Z7 and a current sum with the MC3410 D/A output, Z43, is formed at pin 2 of the LM311 comparator, Z25.

7-192. When not in the manual mode, MANUL- is high, permitting the  $\bar{Q}$  output of a 74LS74 to go low, pin 6 of Z40. This occurrence permits the peak detector to be in the non reset state. This also releases the clear signal on the three 74LS193 counters (Z18, Z19, and Z20). The Q output of a 74LS74, pin 5 of Z57, goes high now enabling the  $\bar{Q}$  output of the next 74LS74, pin 8 of Z57, to go low. This resets the previous 74LS74 on the next rising 1 MHz input clock pulse. It also resets both successive approximation registers, 25L04, Z41 and Z42. On the next clock pulse, the second 74LS74 resets forcing pin 8 of Z57 to go high. The pin 3 output of Z42 now goes high disabling the clock input, pin 3 of Z37, and triggering the Q output of a 74LS123 one shot, pin 5 of Z58. This, in turn, resets the peak detector. At the same time the Q output of a 74LS74, pin 9 of Z40, goes high enabling the hold mode of the sample and hold. At this time, the 25L04 will continue to operate at a 1 MHz rate by activating successive bits of the MC3410 D/A and testing the comparator output, pin 7 of Z25. The binary weight of the input analog signal will appear at the Q outputs of the 25L04 and will be latched at the 74LS273 chip, Z22, and at the 74LS74 Q outputs, pin 5 of Z23, and pin 9 of Z23. When the conversion is complete, the sample and hold flip-flop is reset and the Q output of a 74LS123, pin 15 of Z58, is set. This prevents another conversion from beginning for at least 9 usec.

7-193. The horizontal ramp is converted by two methods. In the non-manual mode, a digital staircase is generated as the ramp increases. The ramp is amplified by a TL074C op amp at pin 8 Z59. An offset adjustment, R33, is provided. The signal passes through a sample and hold which is in the sample mode and is buffered to an input of a comparator, pin 2 of Z44.

7-194. When pin 7 of Z44 goes high, the vertical conversion as described above begins. When pin 6 of Z55 goes high, the horizontal counter outputs of Z18, Z19, and Z20 are latched in a 74LS374, Z17, and two 74LS74 flip-flops, Z21. When the vertical conversion is complete, pin 3 of Z42 will go low incrementing the three counters. This will, in turn, increase the current output of an MC3410, Z24. The voltage output of the current to voltage converter will increase, pin 1 of Z45. This will, in turn, bring the comparator output, pin 7 of Z45, low until the ramp increases enough to trigger another conversion.

7-195. In the manual mode, the horizontal position is converted by a successive approximation register in a similar manner to the vertical position. A horizontal input sample and hold is formed by Z60, C6, and an op amp whose output is pin 14 of Z59. The sample and hold works in a similar manner to that

of the vertical sample and hold. Both the vertical 25L04 and horizontal 25L04 work simultaneously. The 10 outputs of Z41 are continually parallel loaded into the horizontal counters. The horizontal position information is enabled whenever the data is to be written into memory.

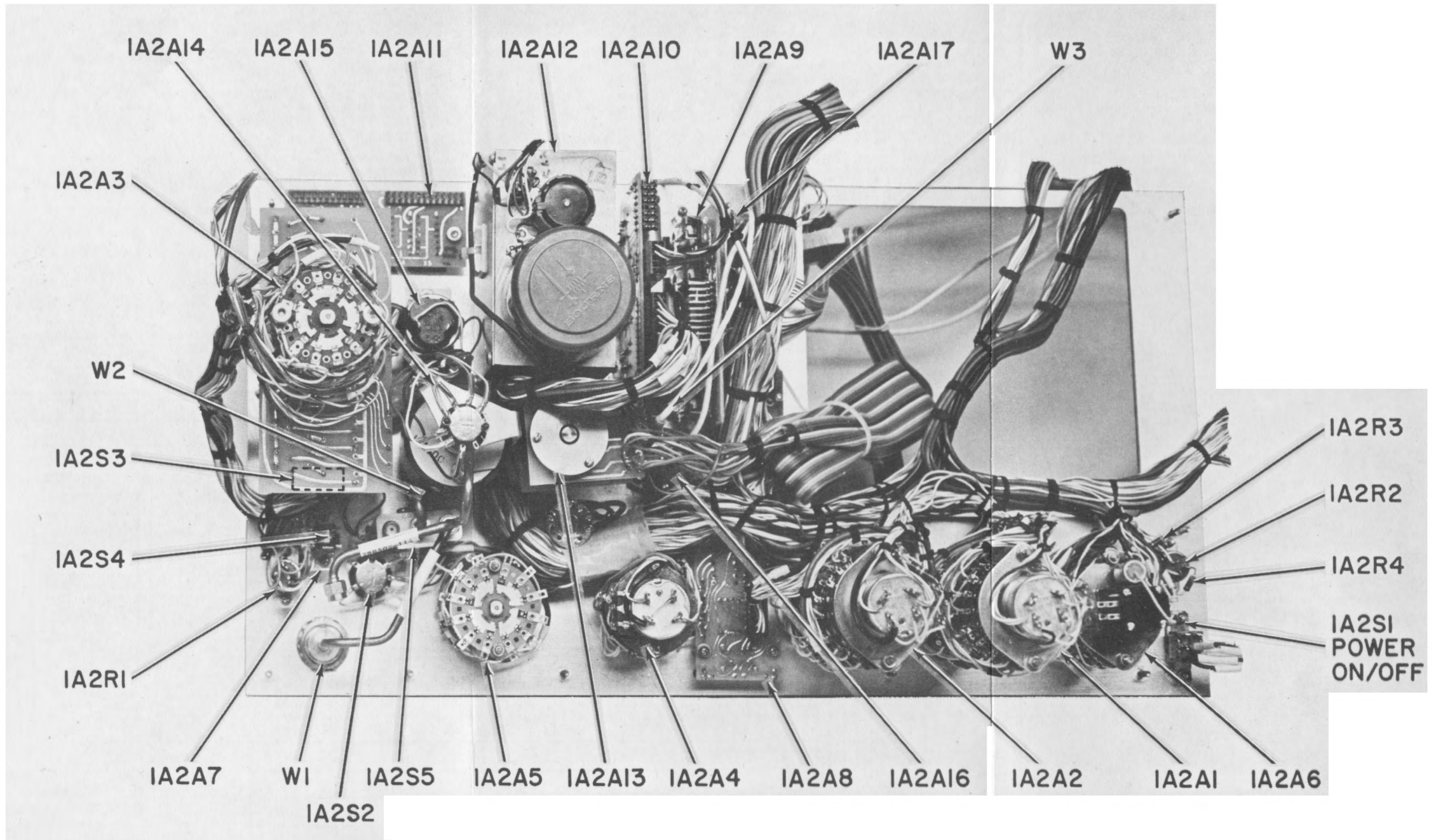
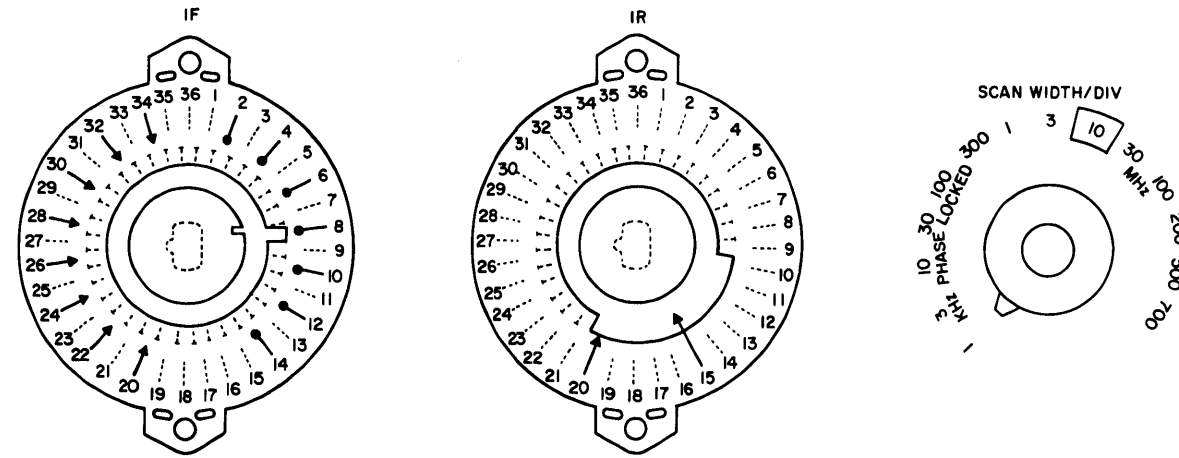


Figure 7-6. Front Panel Assembly 1A2, Component Locations

A2A1 SCAN WIDTH/DIV



- SCAN WIDTH/DIV
- 1 KHz
  - 3 KHz
  - 10 KHz
  - 30 KHz
  - 100 KHz
  - 300 KHz
  - 1 MHz
  - 3 MHz
  - 10 MHz
  - 30 MHz
  - 100 MHz
  - 200 MHz
  - 500 MHz
  - 700 MHz
- CAL

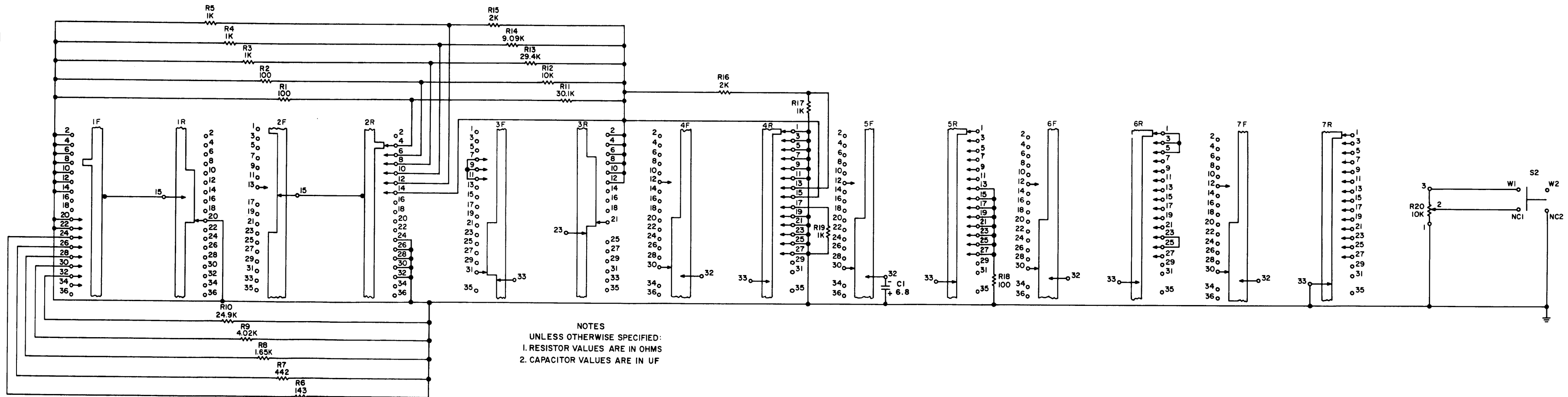


Figure 7-7. Scan Width Switch Assembly 1A2A1, Maintenance Schematic Diagram



A2A2 SCAN TIME/DIV

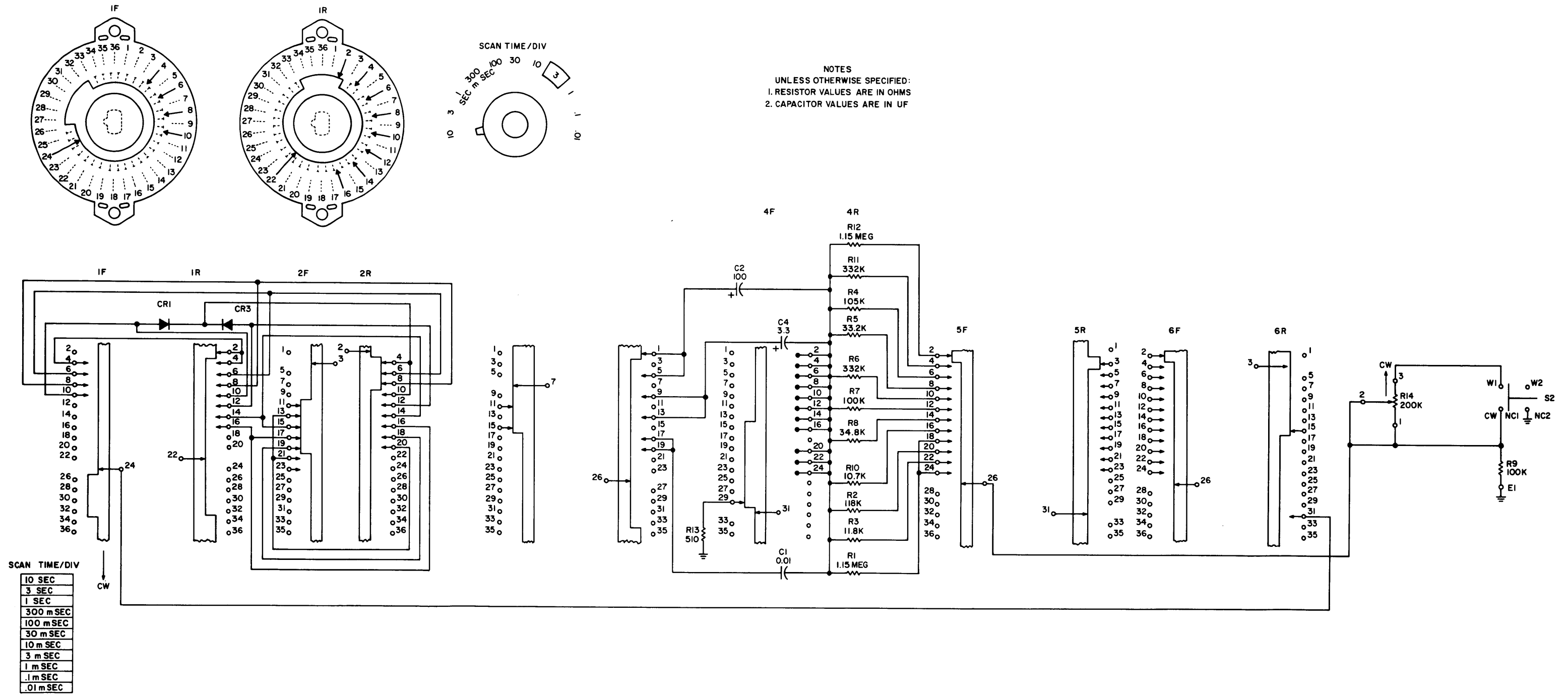


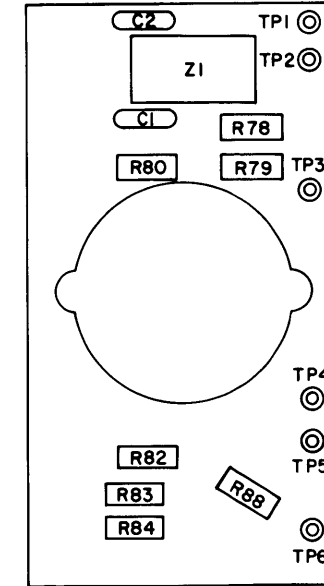
Figure 7-8. Scan Time Switch Assembly 1A2A2, Maintenance Schematic Diagram



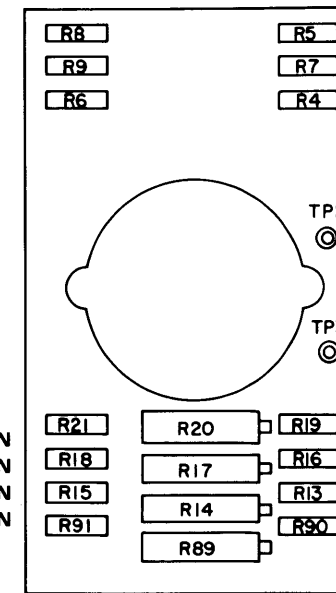
PARTS LOCATION INDEX, RF RANGE SWITCH 1A2A3

REFERENCE DESIGNATION	ZONE	REFERENCE DESIGNATION	ZONE	REFERENCE DESIGNATION	ZONE
C1	12M	R30	5M	R62	4A
C2	12N	R31	3M	R63	4B
		R32	4M	R64	5B
R1	NOT USED	R33	5M	R65	4B
R2	NOT USED	R34	3N	R66	4B
R3	NOT USED	R35	4N	R67	5B
R4	10F	R36	5N	R68	5B
R5	10F	R37	3H	R69	4C
R6	13F	R38	4H	R70	5B
R7	10F	R39	5H	R71	4C
R8	13F	R40	3I	R72	3E
R9	13F	R41	4H	R73	NOT USED
R10	4A	R42	5I	R74	NOT USED
R11	5A	R43	3I	R75	NOT USED
R12	5A	R44	4I	R76	NOT USED
R13	10B	R45	5I	R77	NOT USED
R14	12B	R46	3I	R78	11M
R15	13B	R47	4I	R79	11L
R16	10B	R48	5I	R80	12L
R17	12B	R49	3J	R81	4F
R18	13B	R50	4I	R82	12I
R19	10C	R51	5J	R83	12I
R20	11B	R52	3F	R84	12H
R21	13B	R53	4F	R85	NOT USED
R22	3L	R54	4F	R86	NOT USED
R23	4L	R55	4F	R87	NOT USED
R24	5L	R56	4F	R89	12A
R25	3L	R57	4F	R90	10A
R26	4L	R58	4G	R91	13A
R27	5L	R59	4G		
R28	3M	R60	4B	Z1	12M
R29	4M	R61	5A		

13 | 12 | 11 | 10 | 9 | 8 | 7 | 6 | 5 | 4 | 3 | 2 | 1



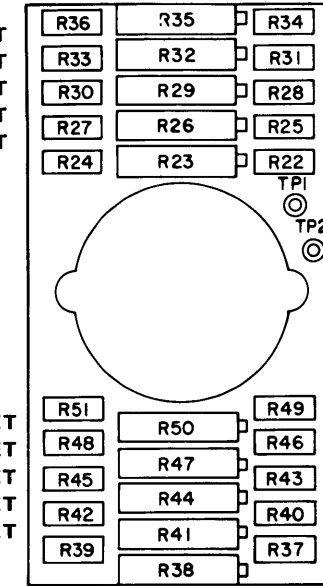
YIG FM TUNING PC BOARD  
IA2A3A1



YIG GAINS PC BOARD  
IA2A3A3

R20 BAND 2 FILTER GAIN  
R17 BAND 3 FILTER GAIN  
R14 BAND 4 FILTER GAIN  
R89 BAND 5 FILTER GAIN

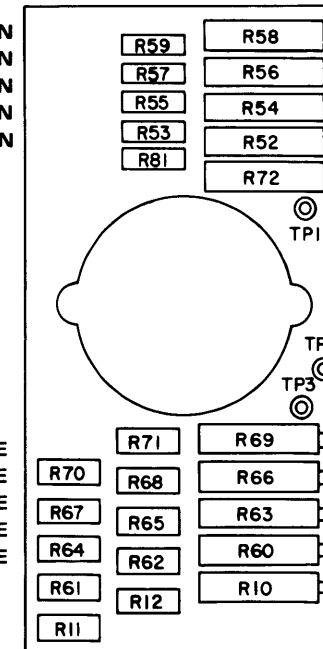
R35 BAND 1 VCO OFFSET  
R32 BAND 2 VCO OFFSET  
R29 BAND 3 VCO OFFSET  
R26 BAND 4 VCO OFFSET  
R23 BAND 5 VCO OFFSET



YIG OFFSETS PC BOARD  
IA2A3A2

R50 BAND 1 FILTER OFFSET  
R47 BAND 2 FILTER OFFSET  
R44 BAND 3 FILTER OFFSET  
R41 BAND 4 FILTER OFFSET  
R38 BAND 5 FILTER OFFSET

R58 BAND 1 DIGITAL GAIN  
R56 BAND 2 DIGITAL GAIN  
R54 BAND 3 DIGITAL GAIN  
R52 BAND 4 DIGITAL GAIN  
R72 BAND 5 DIGITAL GAIN

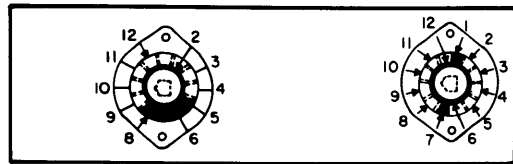
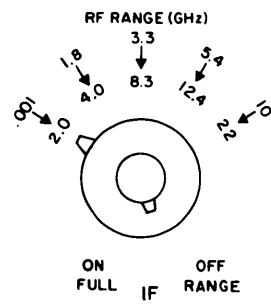


R69 BAND 1 DIGITAL SLOPE  
R66 BAND 2 DIGITAL SLOPE  
R63 BAND 3 DIGITAL SLOPE  
R60 BAND 4 DIGITAL SLOPE  
R10 BAND 5 DIGITAL SLOPE

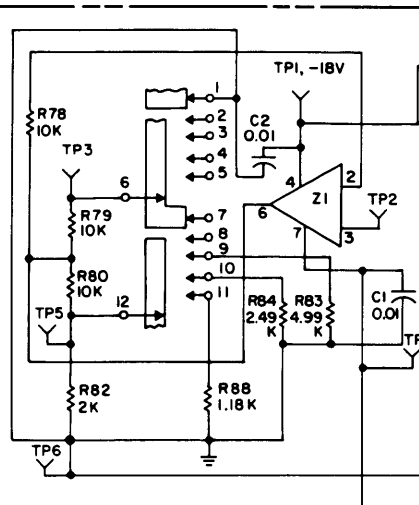
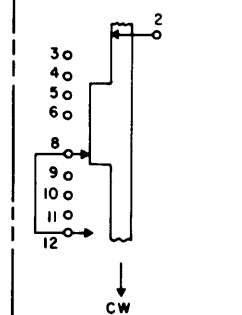
DIGITAL DISPLAY PC BOARD  
IA2A3A4

N  
M  
L  
K  
J  
I  
H  
G  
F  
E  
D  
C  
B  
A

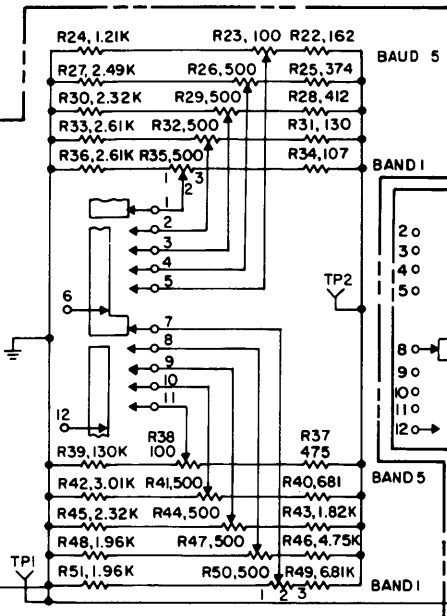
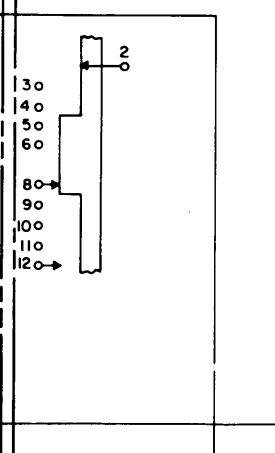
A2A3 RANGE SWITCH



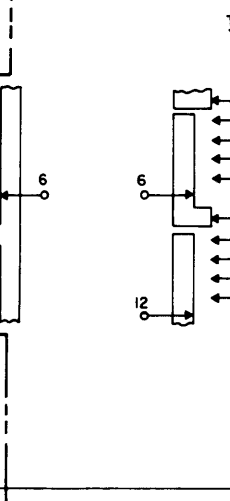
A1 YIG FM TUNING DRIVE



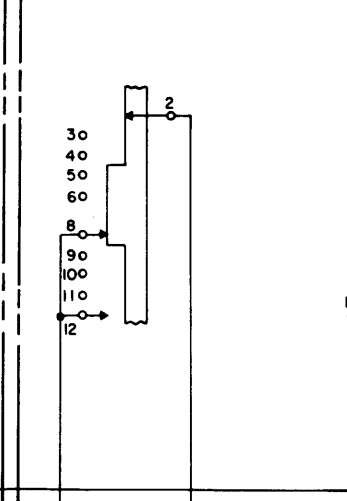
A2 YIG OFFSETS



A3 YIG GAINS



A4 DIGITAL DISPLAY



RF RANGE (GHz)

.001 - 2.0
1.8 - 4.0
3.3 - 8.3
5.4 - 12.4
10 - 22

NOTES  
 UNLESS OTHERWISE SPECIFIED:  
 1. RESISTOR VALUES ARE IN OHMS  
 2. CAPACITOR VALUES ARE IN UF

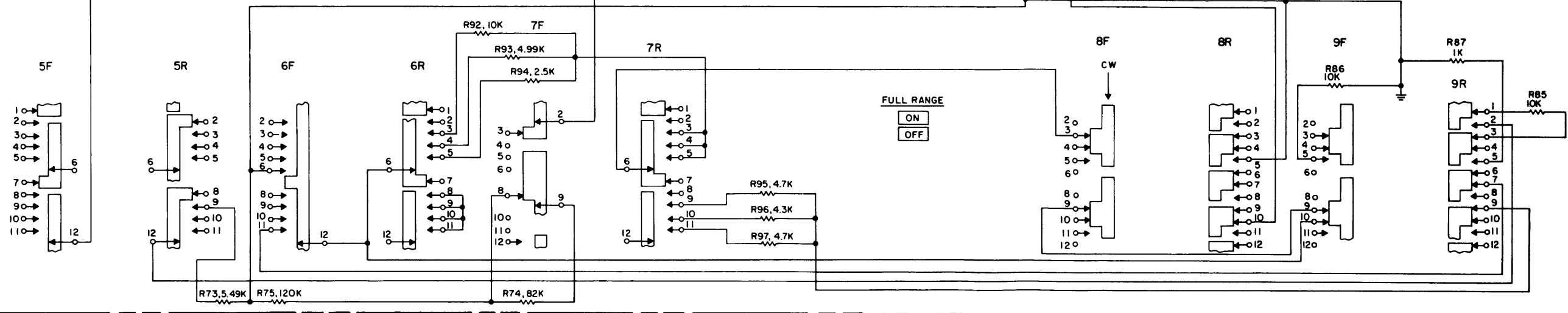
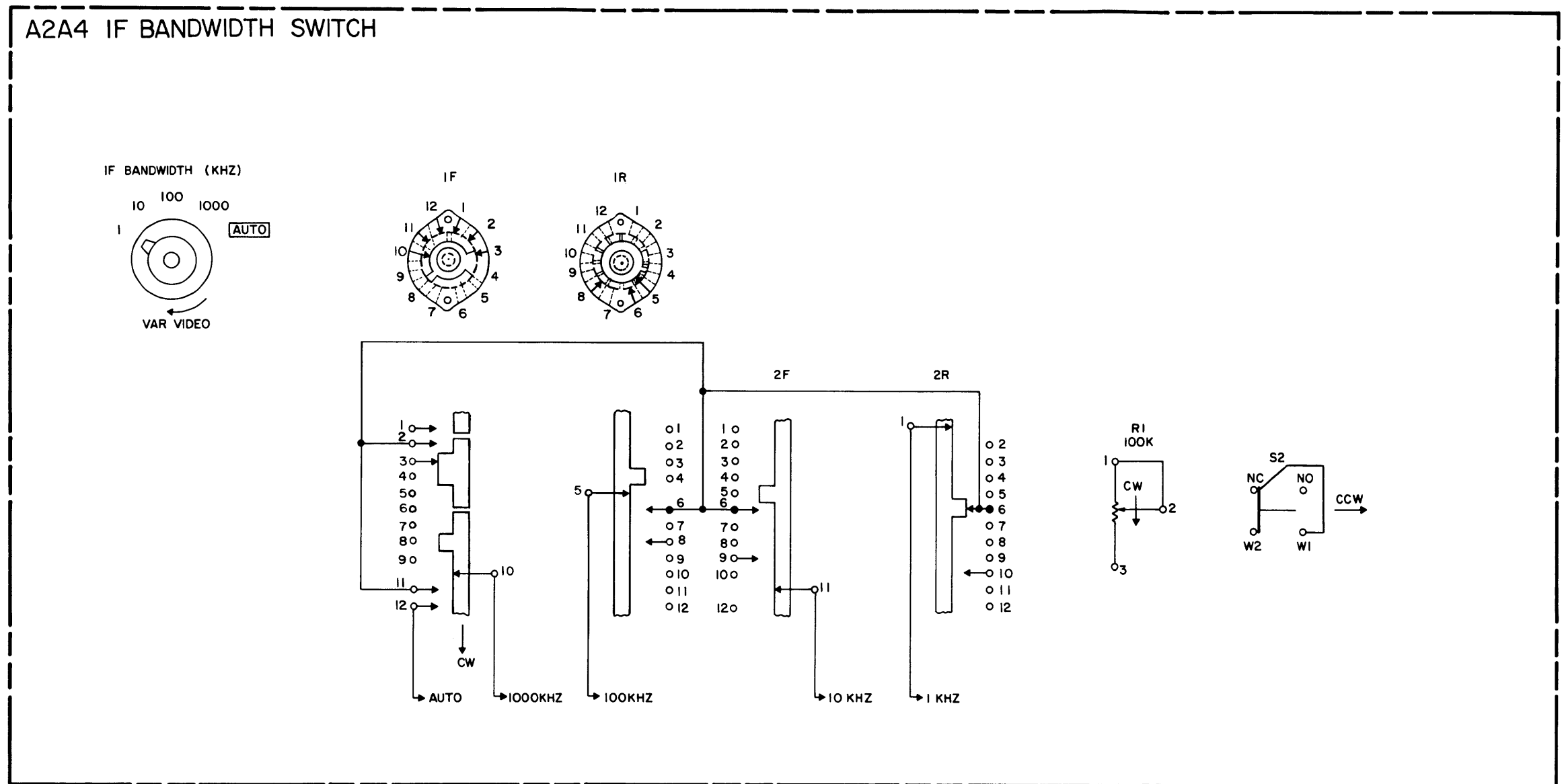


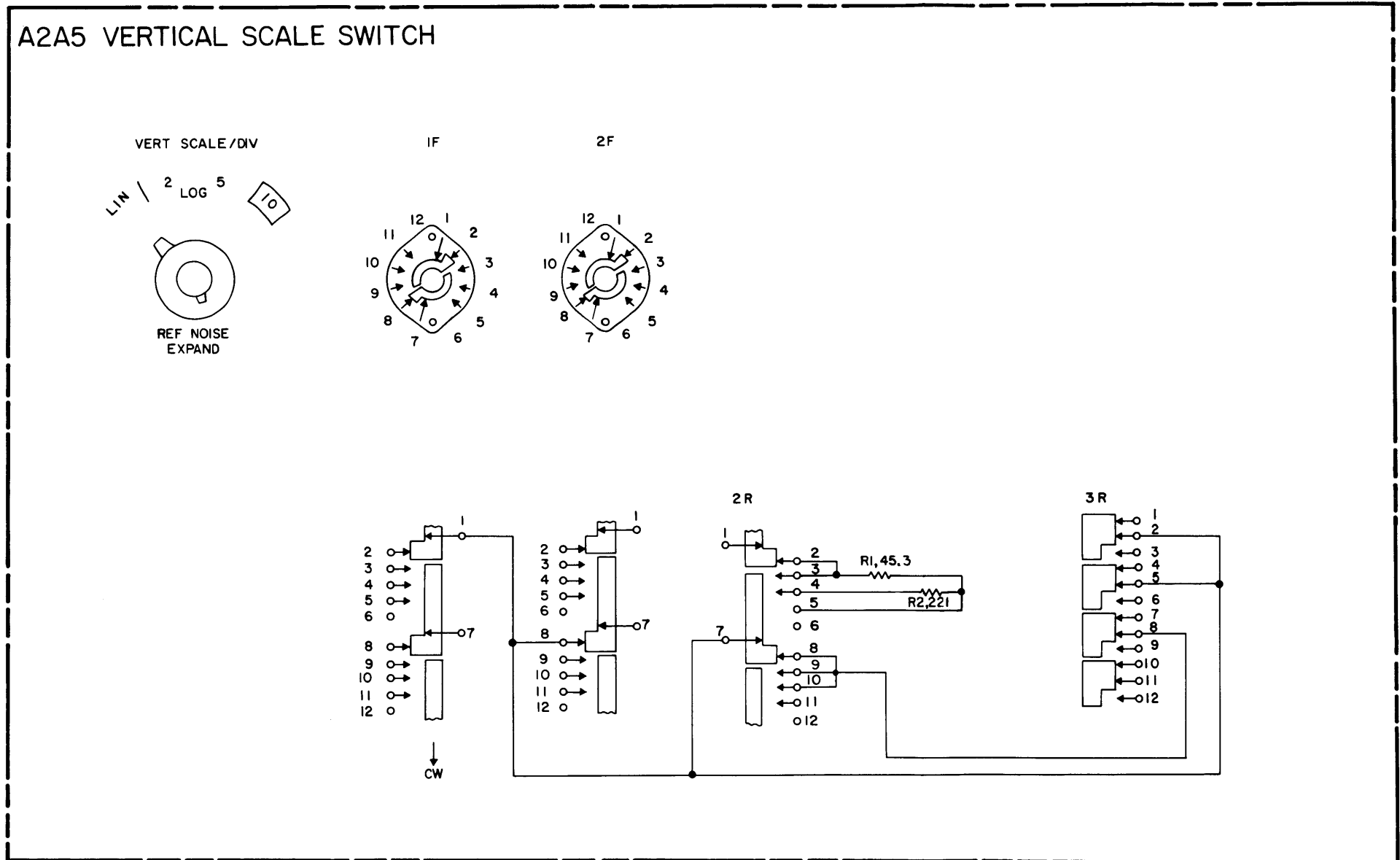
Figure 7-9. RF Range Switch Assembly 1A2A3, Maintenance Schematic Diagram



IF BANDWIDTH

1
10
100
1000
AUTO

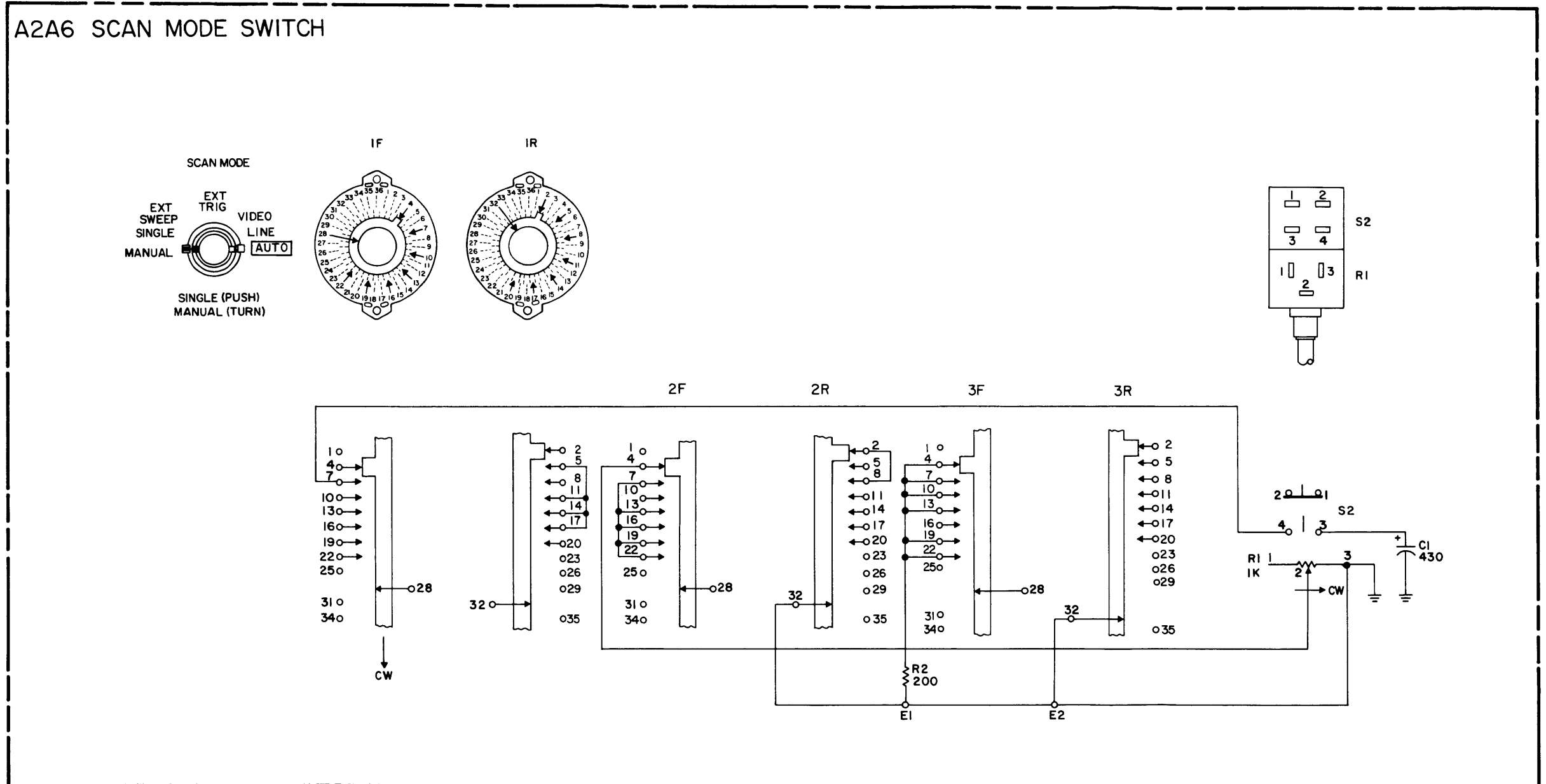
Figure 7-10. IF Bandwidth Switch Assembly 1A2A4, Maintenance Schematic Diagram



NOTES  
 UNLESS OTHERWISE SPECIFIED:  
 1. RESISTOR VALUES ARE IN OHMS  
 2. CAPACITOR VALUES ARE IN UF

VERT SCALE / DIV
LIN
2
5
10

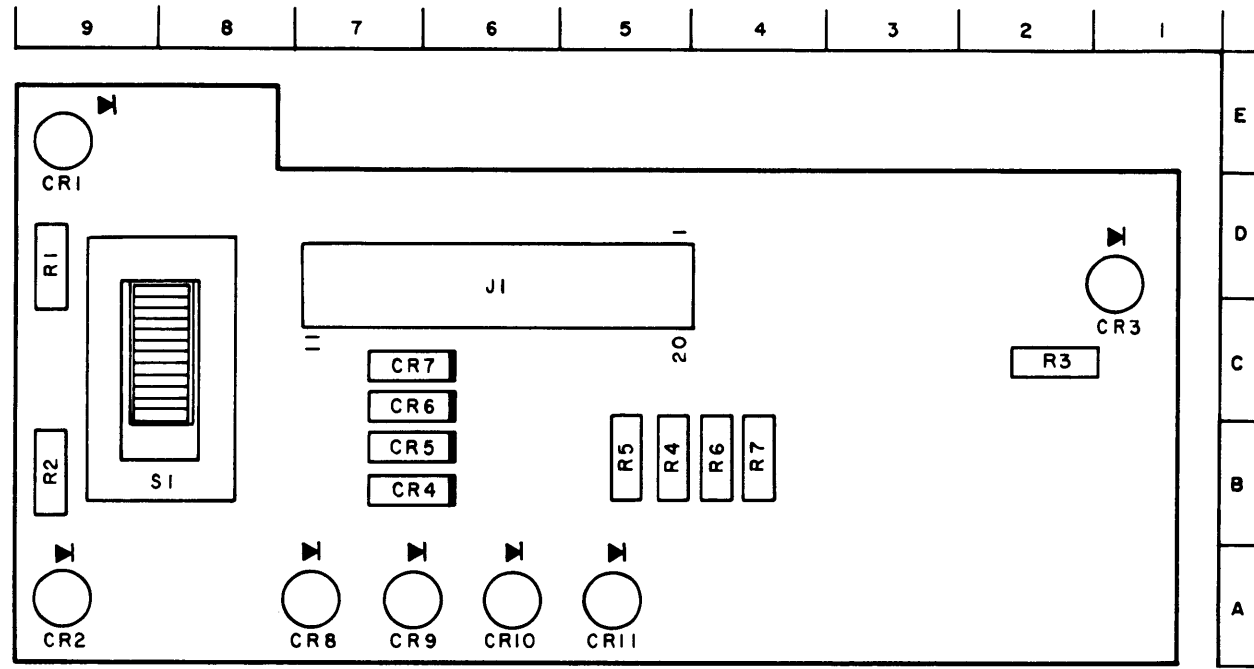
Figure 7-11. Vertical Scale Switch Assembly 1A2A5, Maintenance Schematic Diagram



NOTES  
 UNLESS OTHERWISE SPECIFIED:  
 1. RESISTOR VALUES ARE IN OHMS  
 2. CAPACITOR VALUES ARE IN UF

SCAN MODE
MANUAL
SINGLE
EXT. SWEEP
EXT. TRIG
VIDEO
LINE
AUTO

Figure 7-12. SCAN MODE Switch 1A2A6, Maintenance Schematic Diagram



PARTS LOCATION INDEX, BANDWIDTH 1A2A8

REFERENCE DESIGNATION	ZONE	REFERENCE DESIGNATION	ZONE	REFERENCE DESIGNATION	ZONE
CR1	9E	CR9	6A	R3	2C
CR2	9A	CR10	6A	R4	5B
CR3	1D	CR11	5A	R5	5B
CR4	7B	J1	6D	R6	4B
CR5	7B	R1	9D	R7	4B
CR6	7C	R2	9B	S1	8C
CR7	7C				
CR8	7A				

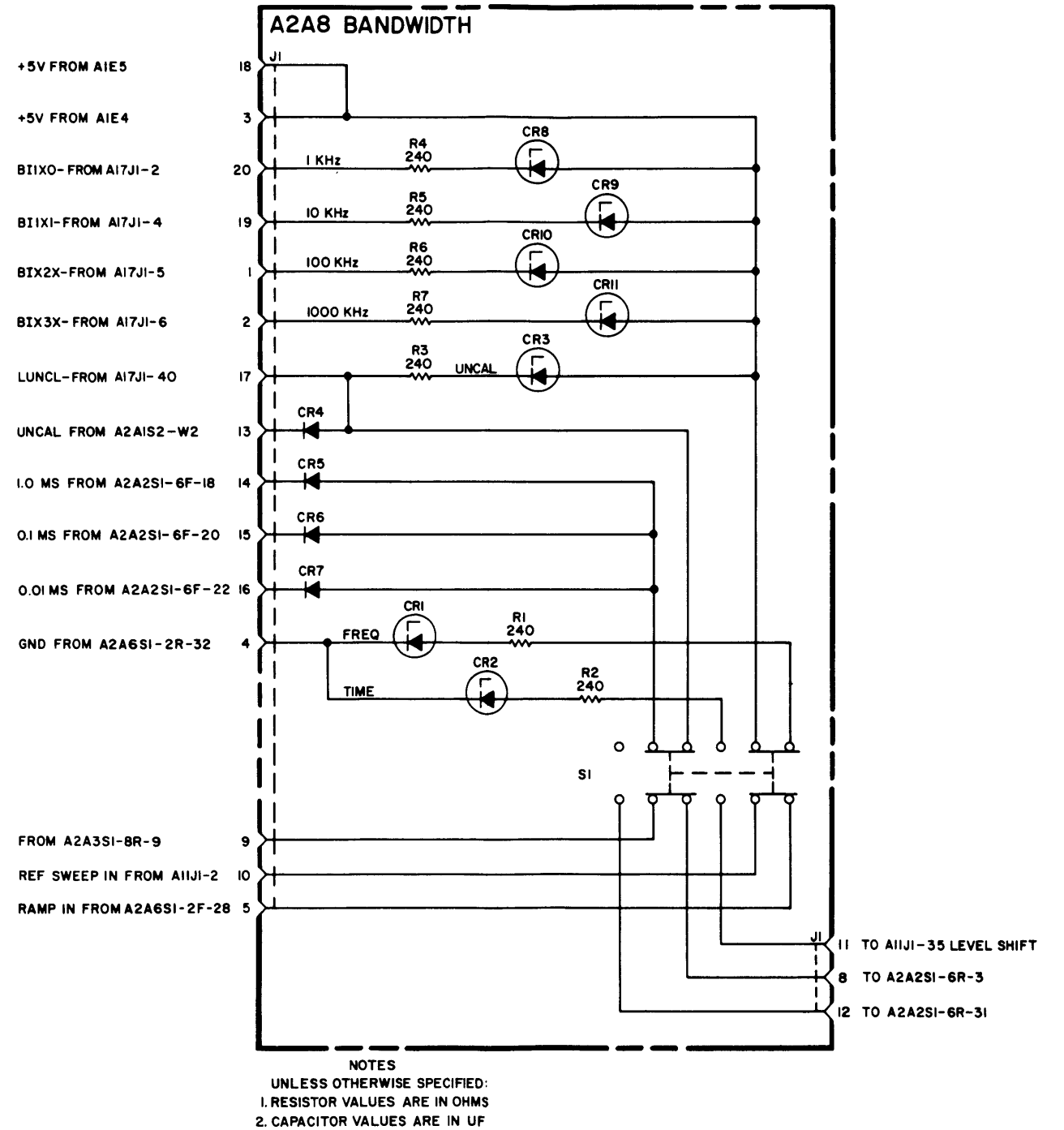
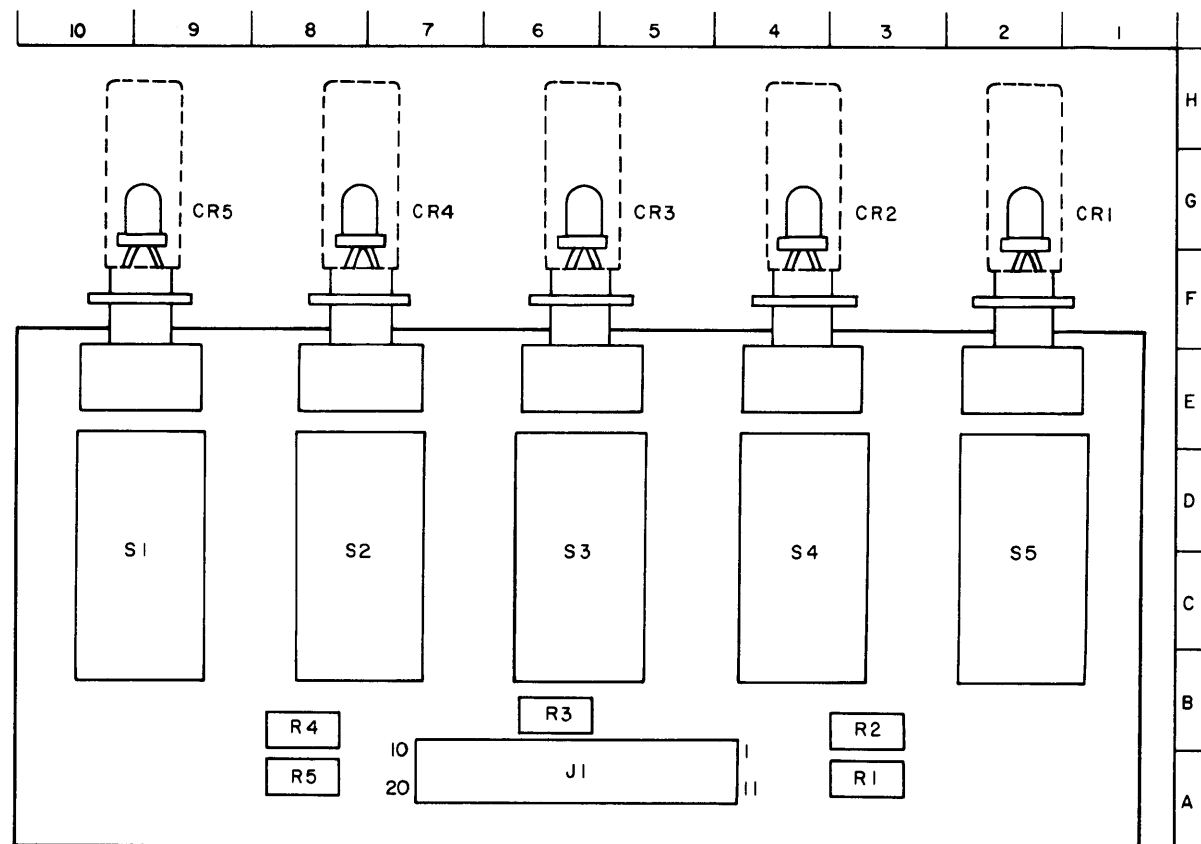


Figure 7-13. Bandwidth Printed Circuit Board 1A2A8, Maintenance Schematic Diagram



**PARTS LOCATION INDEX, PUSHBUTTON SWITCH, 5 FUNCTION, 1A2A9**

REFERENCE DESIGNATION	ZONE	REFERENCE DESIGNATION	ZONE
CR1	2G	R3	6B
CR2	4G	R4	8B
CR3	6G	R5	8A
CR4	8G	S1	9D
CR5	9G	S2	8D
J1	6A	S3	6D
R1	3A	S4	4D
R2	3B	S5	2D

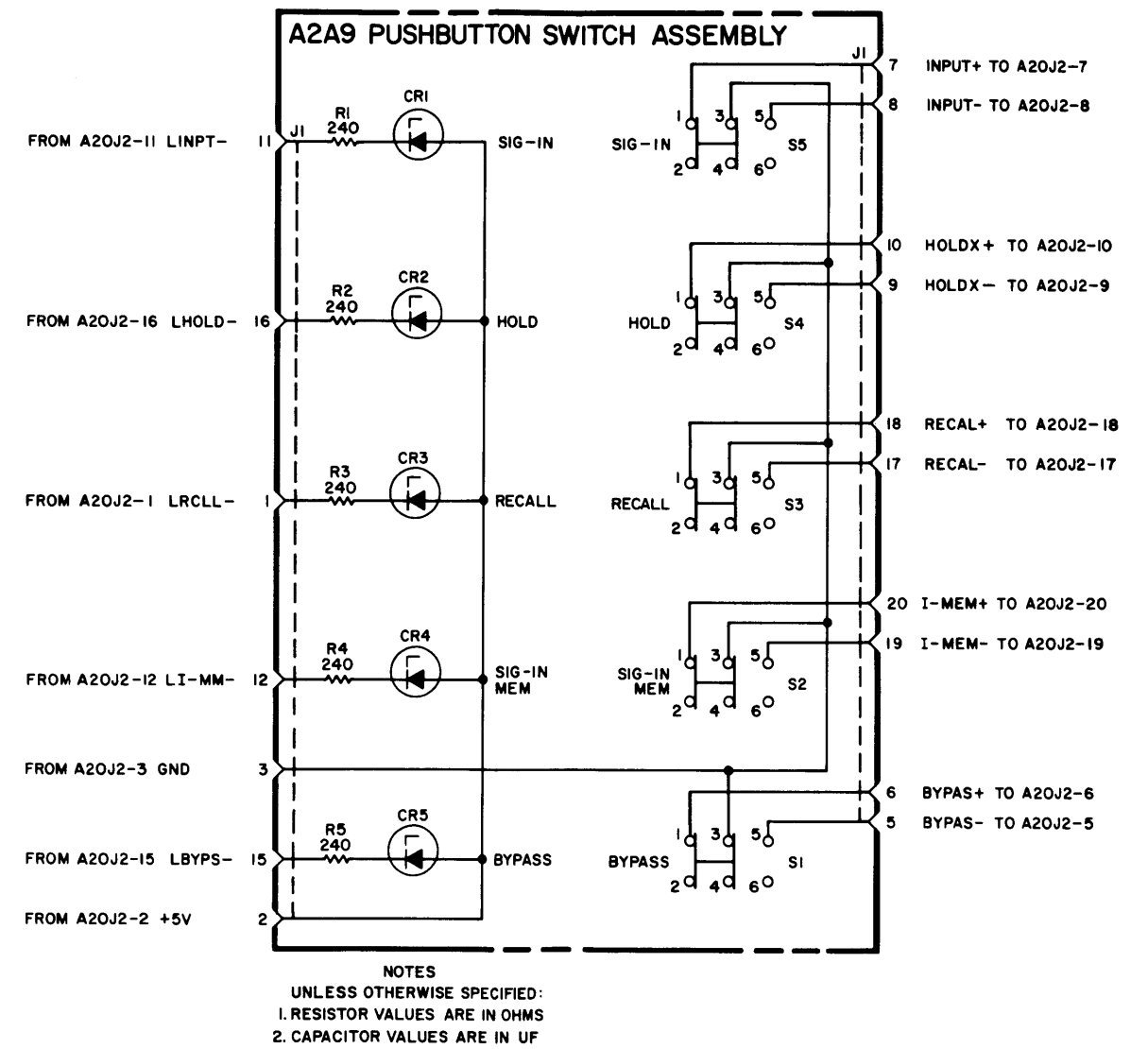
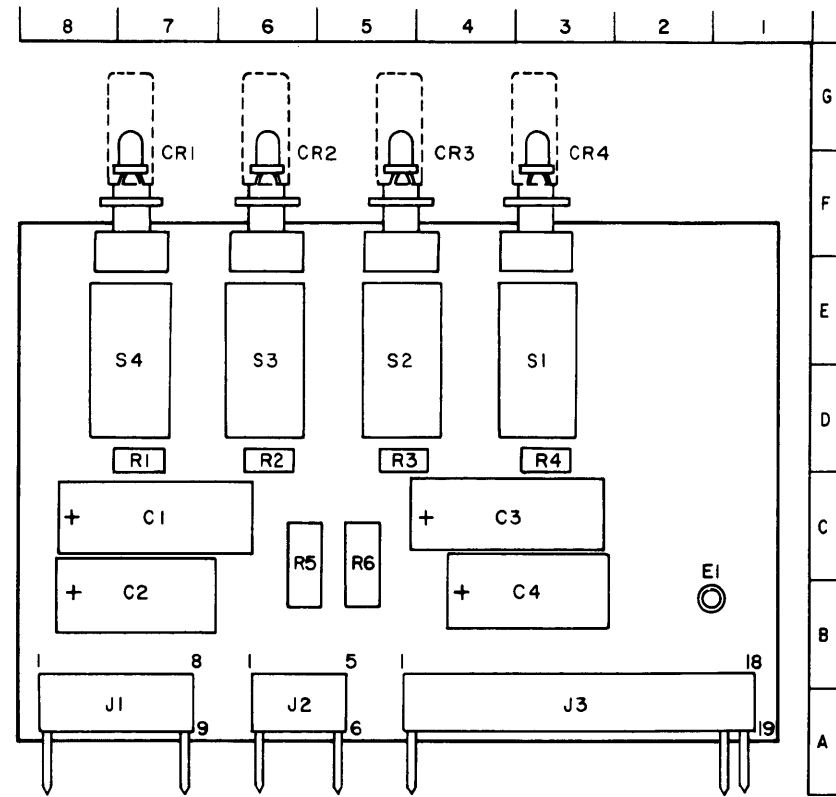


Figure 7-14. Pushbutton Switch Assembly 1A2A9, Maintenance Schematic Diagram



PARTS LOCATION INDEX, PUSHBUTTON SWITCH, 4 FUNCTION, 1A2A10

REFERENCE DESIGNATION	ZONE	REFERENCE DESIGNATION	ZONE
C1	7C	J3	3A
C2	7B		
C3	4C	R1	7D
C4	4B	R2	6D
		R3	5D
CR1	7F	R4	3D
CR2	6F	R5	6C
CR3	5F	R6	5C
CR4	3F		
		S1	3E
E1	2B	S2 1	5E
		S3	6E
J1	7A	S4	7E
J2	6A		

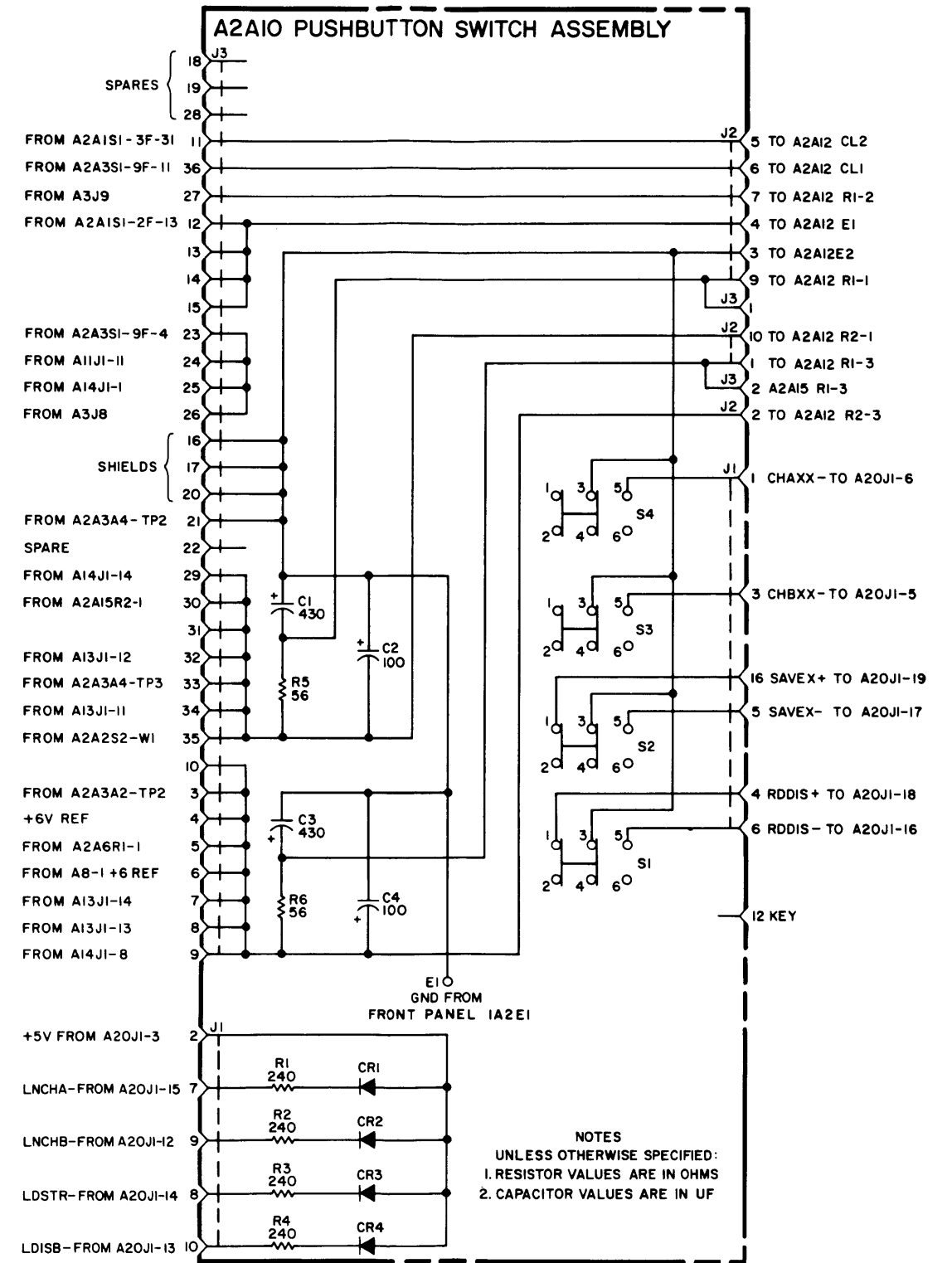
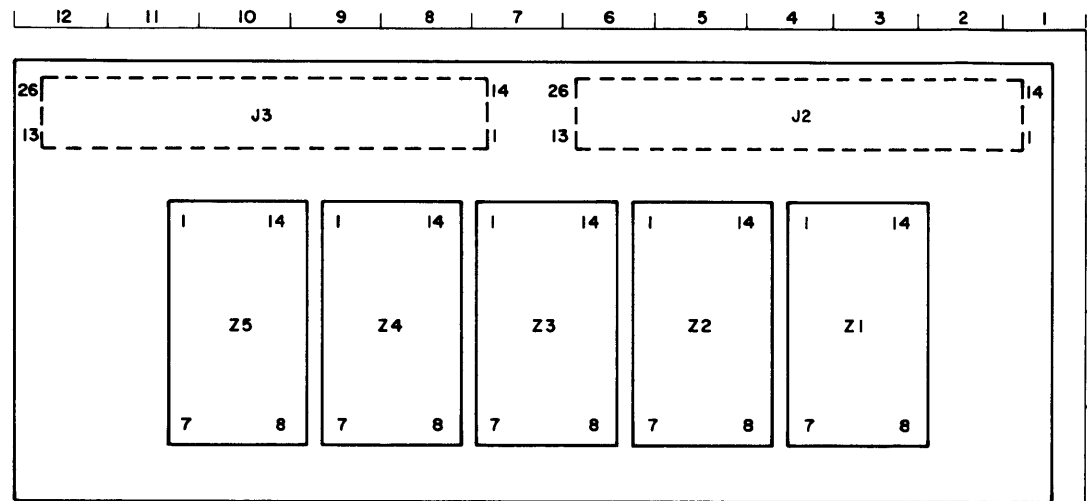


Figure 7-15. Pushbutton Switch Assembly 1A2A10, Maintenance Schematic Diagram





PARTS LOCATION INDEX, FREQUENCY READOUT 1A2A11

REFERENCE DESIGNATION	ZONE
J2	4E
J3	10E
Z1	3B
Z2	5B
Z3	7B
Z4	8B
Z5	10B

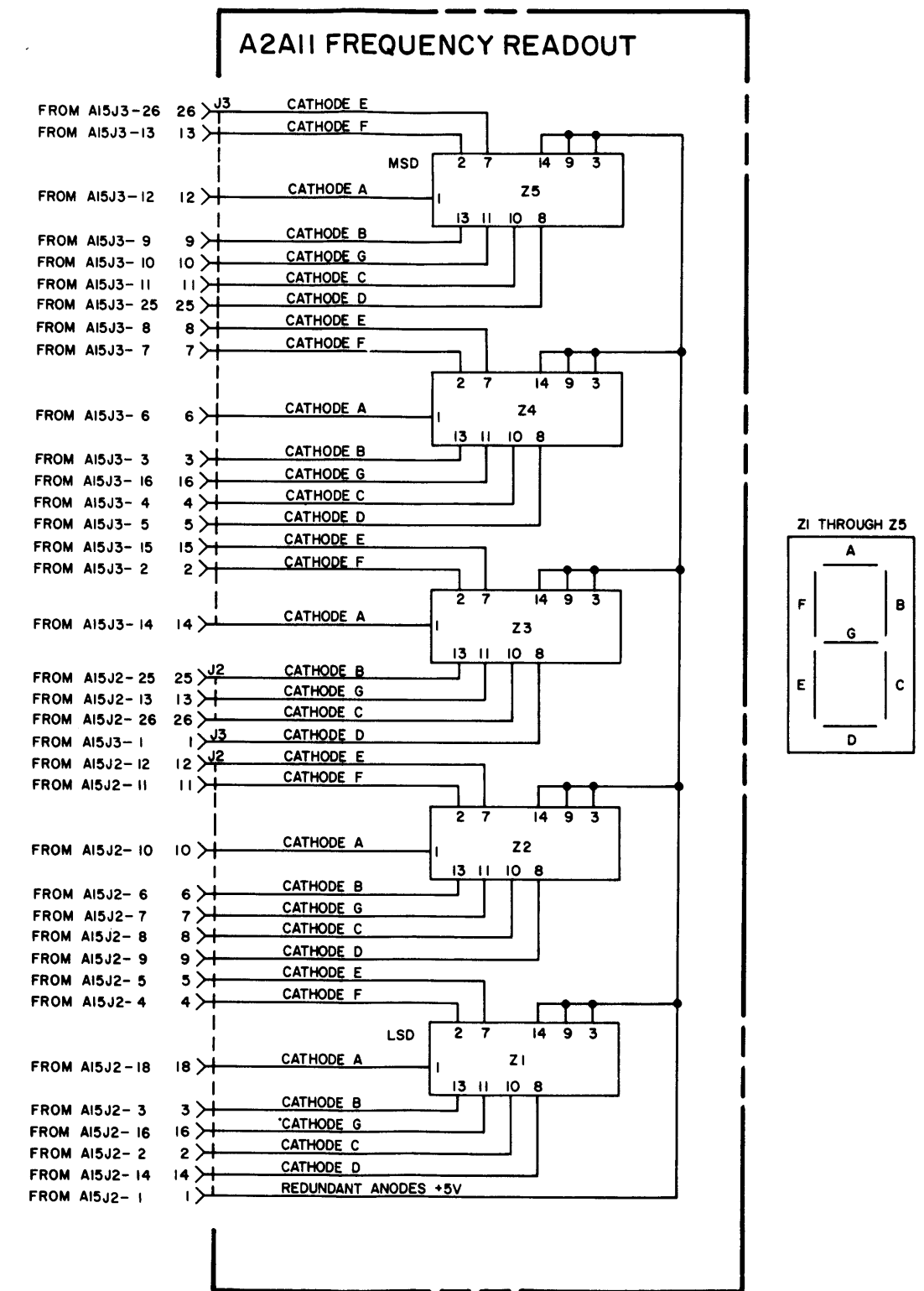
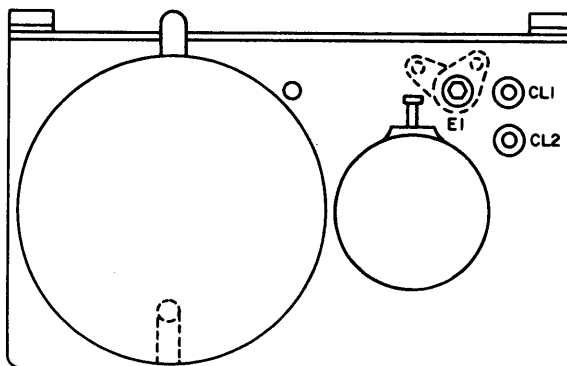
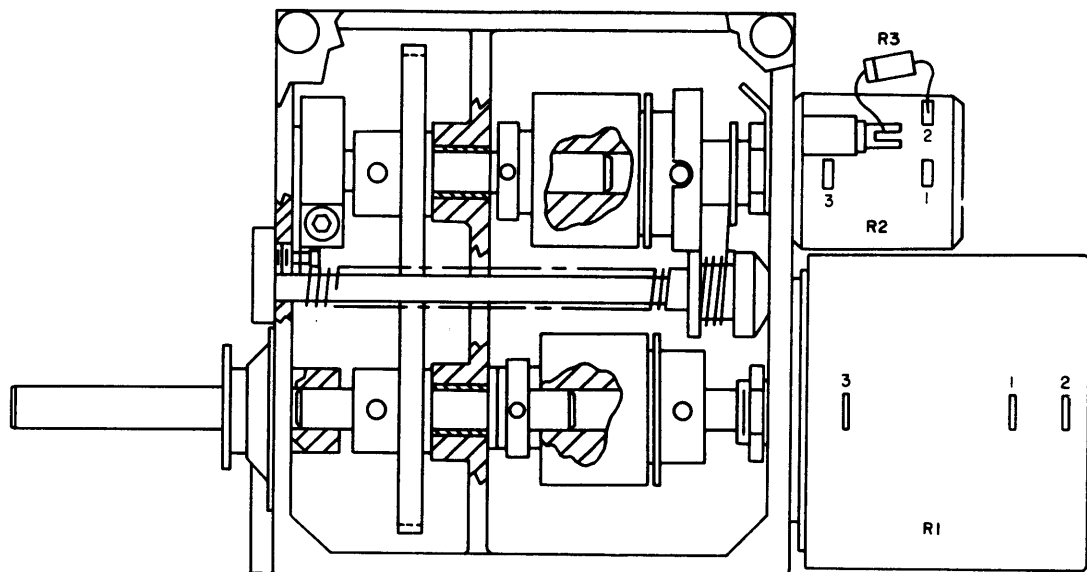


Figure 7-16. Frequency Readout Printed Circuit Board 1A2A11, Maintenance Schematic Diagram



WIRE TERMINATION			
FROM	TO	COLOR	TO
R1-3	P1-1	BROWN	A2A10J2-1
R2-3	P1-2	RED	A2A10J2-2
E1	P1-4	YELLOW	A2J5-39
E2	P1-3	YELLOW	A2J5-38
CL2	P1-5	GREEN	A2A10J2-5
CL1	P1-6	BLUE	A2A10J2-6
R1-2	P1-7	VIOLET	A2A10J2-7
R1-1	P1-9	WHITE	A2A10J2-9
R2-1	P1-10	WHT/BLK.	A2A10J2-10

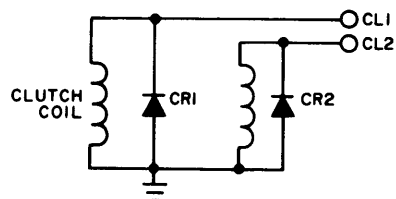
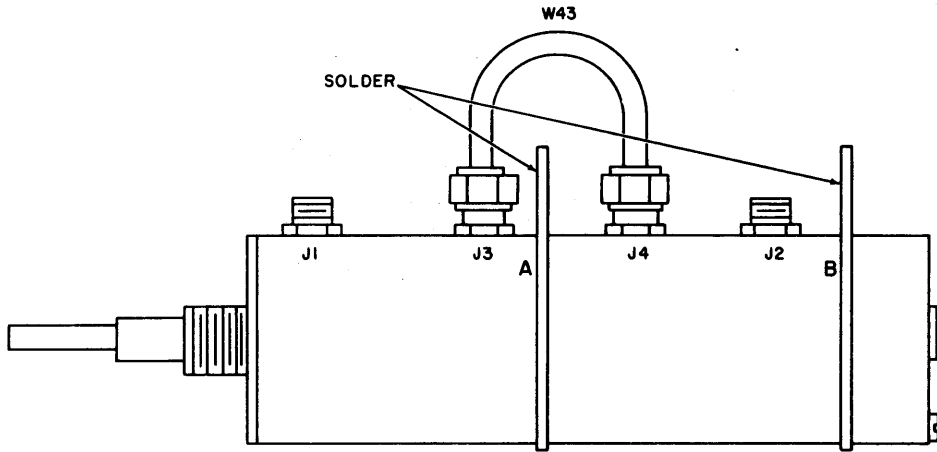


Figure 7-17. Tuner Assembly 1A2A12, Maintenance Schematic Diagram



P3 CONNECTOR CABLE TERMINATIONS			
PC BOARD	POSITION	COLOR	CONNECTOR PIN
B	9	BROWN	1
B	2	ORANGE	2
B	7	GREEN	3
B	5	VIOLET	4
B	—	WHITE	5
B	—	BROWN	6
B	—	ORANGE	7
B	C	GREEN	8
A	C	VIOLET	9
A	70	WHITE	10
A	40	BROWN	11
A	50	ORANGE	12
A	60	GREEN	13
B	1	RED	14
B	8	YELLOW	15
B	6	BLUE	16
B	4	GRAY	17
B	3	BLACK	18
—	—	RED	19
A	100	YELLOW	20
B	10	BLUE	21
A	80	GRAY	22
A	30	BLACK	23
A	20	RED	24
A	10	YELLOW	25
A	90	BLUE	26

PC BOARD A AND B

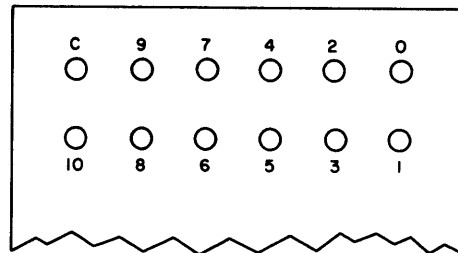


Figure 7-18. IF Attenuator Assembly 1A2A13, Component Location Diagram

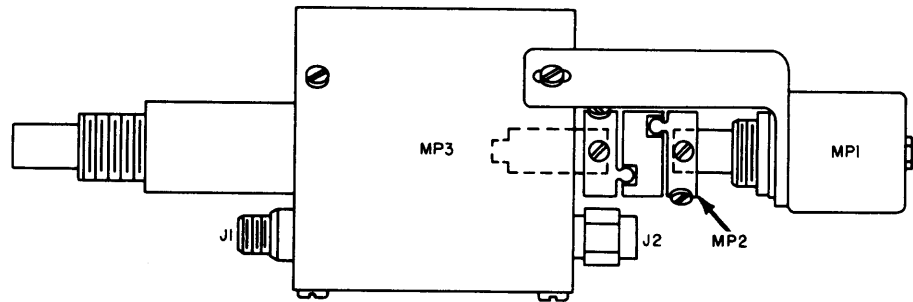


Figure 7-19. RF Attenuator Assembly 1A2A14, Component Location Diagram

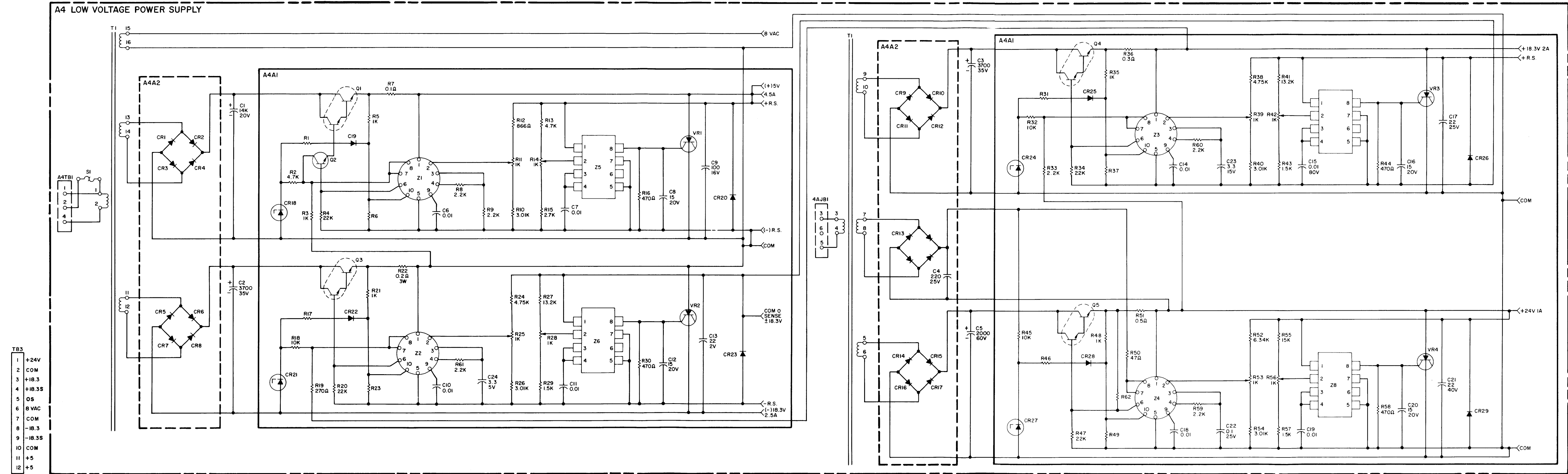
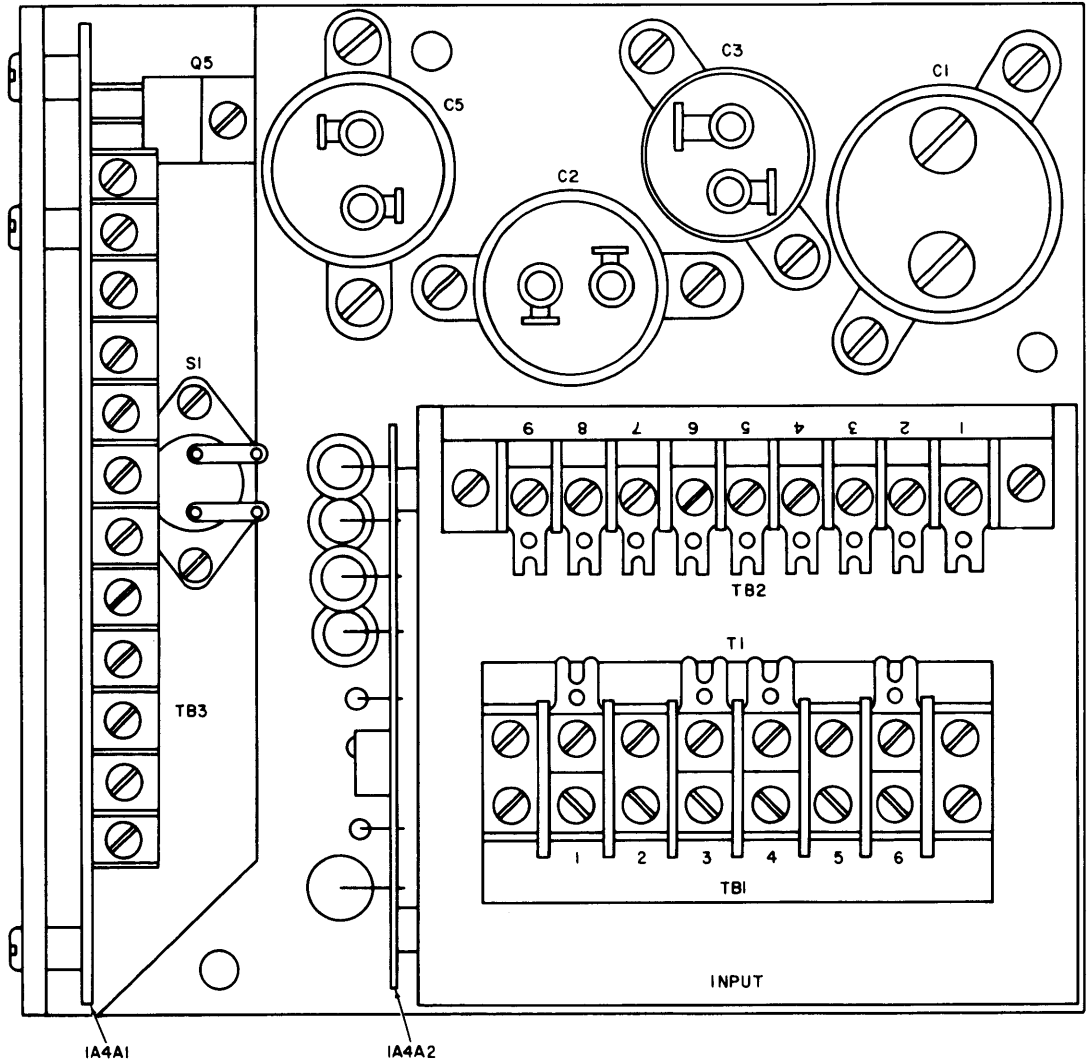


Figure 7-20. Low Voltage Power Supply 1A4. Maintenance Schematic Diagram (Sheet 1 of 2)

TOP

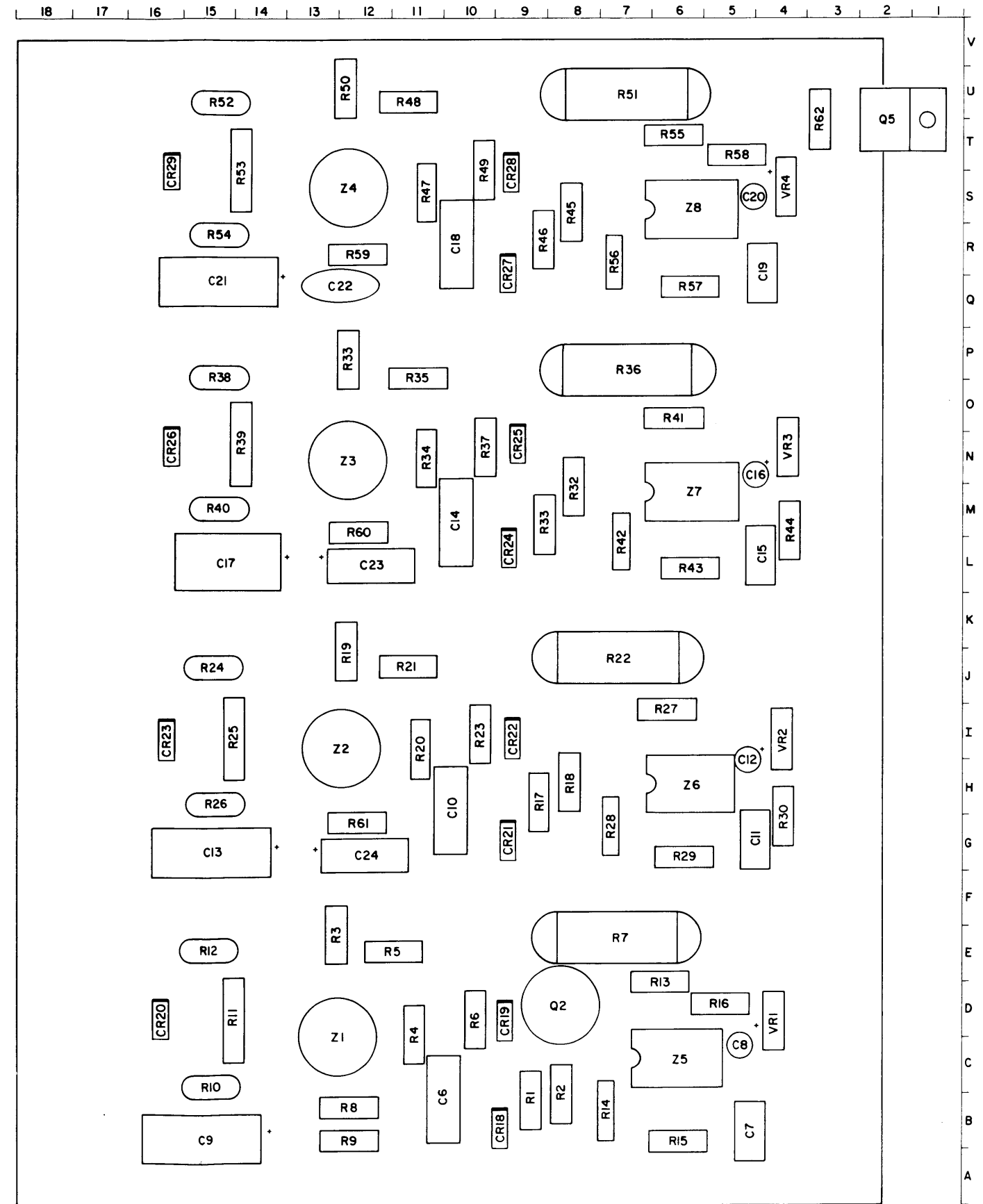


IA4A1

IA4A2

PARTS LOCATION INDEX, LOW VOLTAGE POWER SUPPLY 1A4A1

REFERENCE DESIGNATION	ZONE	REFERENCE DESIGNATION	ZONE	REFERENCE DESIGNATION	ZONE
C1-C5	NOT USED	R11	15D	R62	3U
C6	9B	R12	15E	VR1	4D
C7	4B	R13	6D	VR2	4I
C8	5C	R14	8B	VR3	4N
C9	15B	R15	6B	VR4	4S
C10	10H	R16	5D		
C11	5H	R17	9H		
C12	5I	R18	8H	Z1	12C
C13	15G	R19	12J	Z2	12I
C14	10M	R20	11I	Z3	12N
C15	5L	R21	11J	Z4	12S
C16	5N	R22	7J	Z5	6C
C17	15L	R23	10I	Z6	6H
C18	10R	R24	15J	Z7	6M
C19	4R	R25	15I	Z8	6S
C20	5S	R26	15H		
C21	15Q	R27	6I		
C22	12Q	R28	7H		
C23	12L	R29	6H		
C24	12H	R30	4H		
		R31	9M		
CR1-CR17	NOT USED	R32	8M		
CR18	9B	R33	12P		
CR19	9D	R34	11N		
CR20	16D	R35	11P		
CR21	9H	R36	7P		
CR22	9I	R37	10N		
CR23	16I	R38	15P		
CR24	9L	R39	14N		
CR25	9N	R40	15M		
CR26	16N	R41	6O		
CR27	9R	R42	7L		
CR28	1T	R43	6L		
CR29	16T	R44	4M		
		R45	8S		
Q1	NOT USED	R46	9R		
Q2	8D	R47	11S		
Q3	NOT USED	R48	11U		
Q4	NOT USED	R49	10T		
Q5	2U	R50	12U		
		R51	7U		
R1	9B	R52	15U		
R2	8B	R53	14T		
R3	12E	R54	15R		
R4	11D	R55	6T		
R5	11E	R56	7R		
R6	10D	R57	6Q		
R7	7E	R58	5T		
R8	12B	R59	12R		
R9	12B	R60	12M		
R10	15B	R61	12H		



**PARTS LOCATION INDEX, LOW VOLTAGE  
POWER SUPPLY 1A4A2**

<u>REFERENCE DESIGNATION</u>	<u>ZONE</u>
CR1	8L
CR2	9M
CR3	12M
CR4	11L
CR5	8E
CR6	9E
CR7	12E
CR8	11E
CR9	7E
CR10	5E
CR11	4E
CR12	3E
CR13	NOT USED
CR14	4L
CR15	5L
CR16	7L
CR17	6L

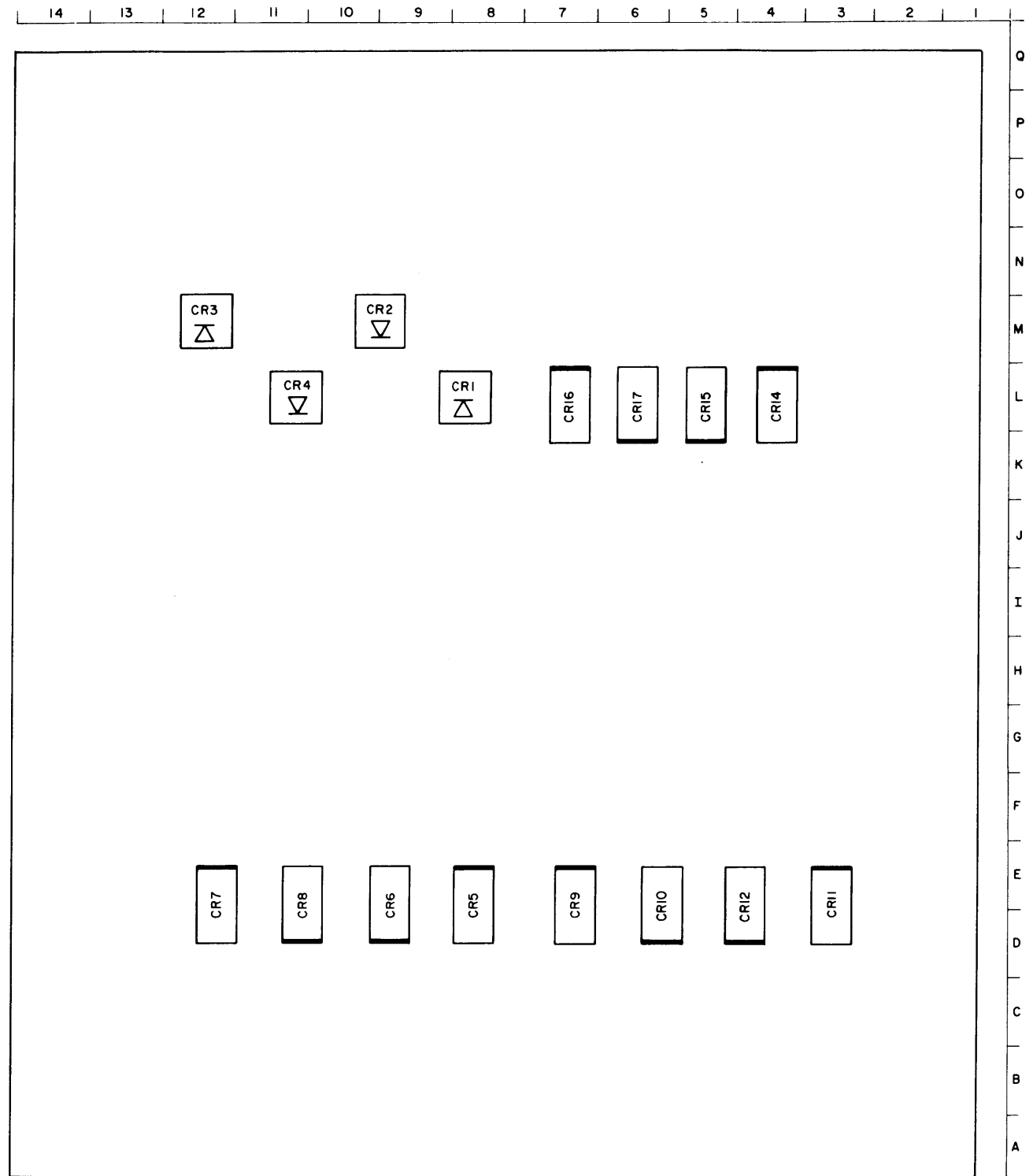


Figure 7-20. Low Voltage Power Supply 1A4,  
Maintenance Schematic Diagram  
(Sheet 2 of 2)



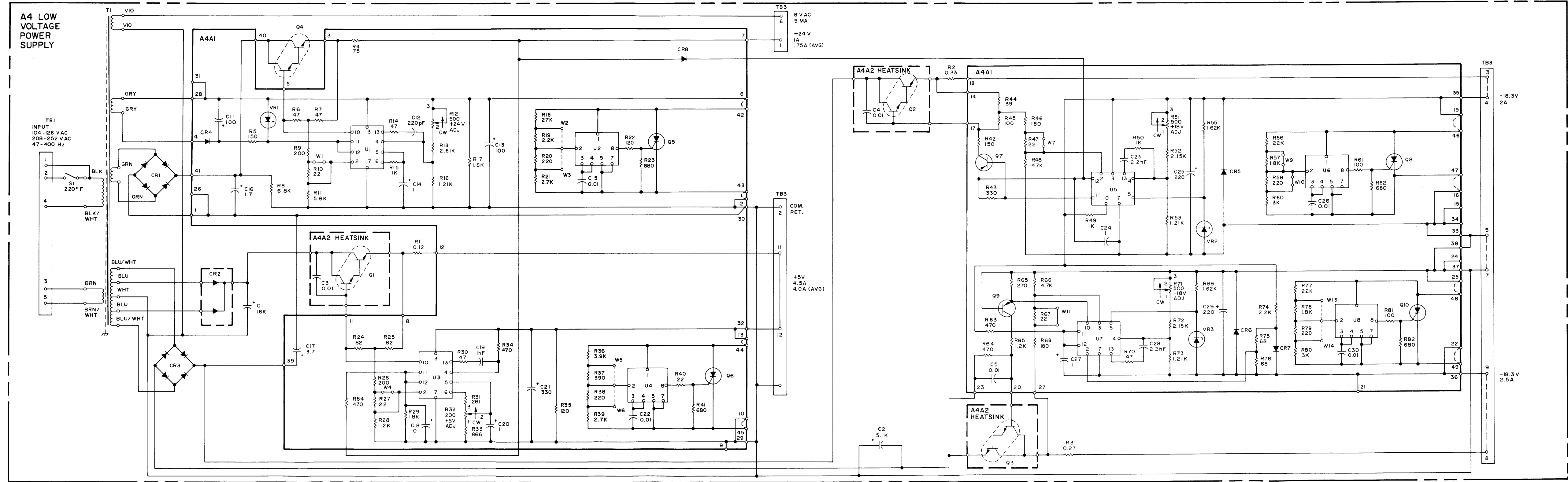
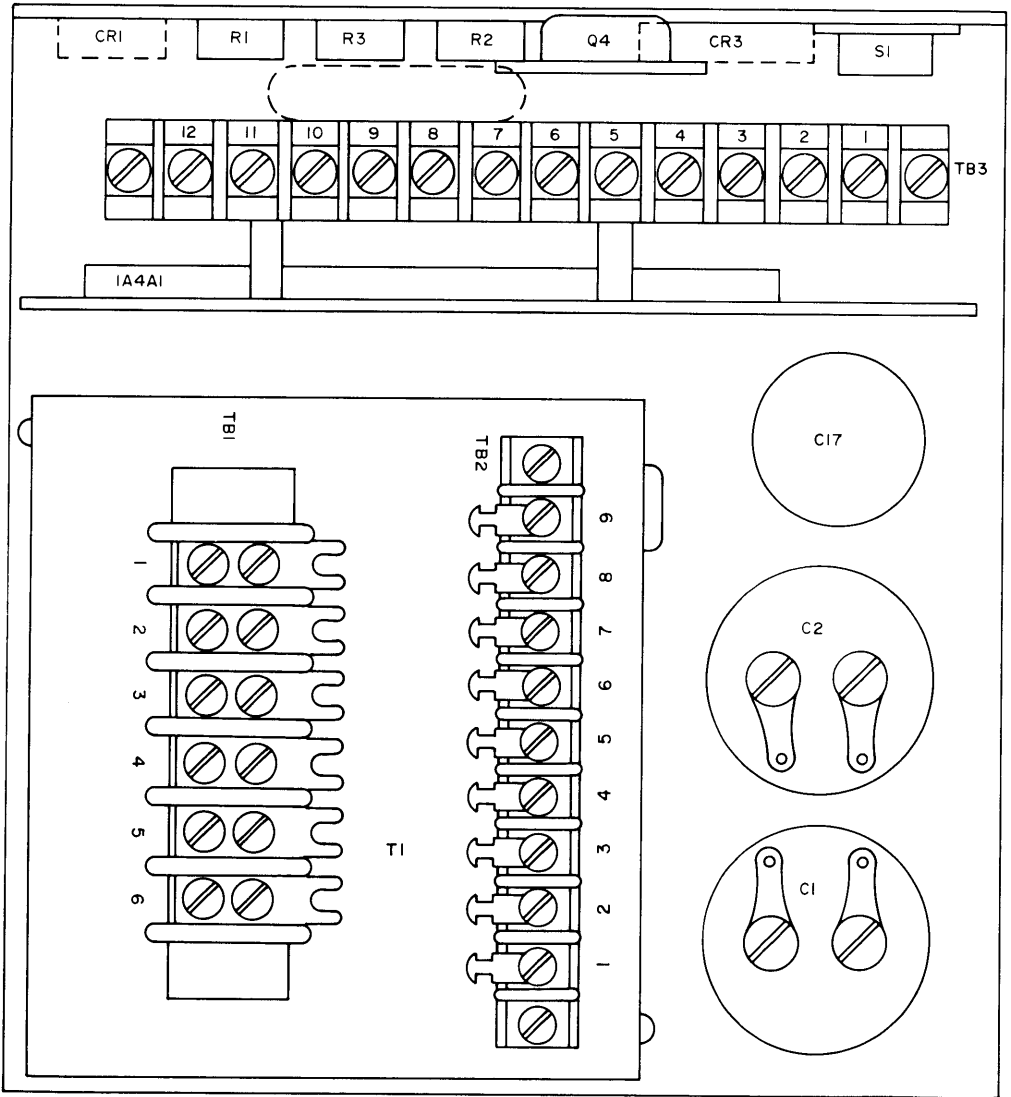
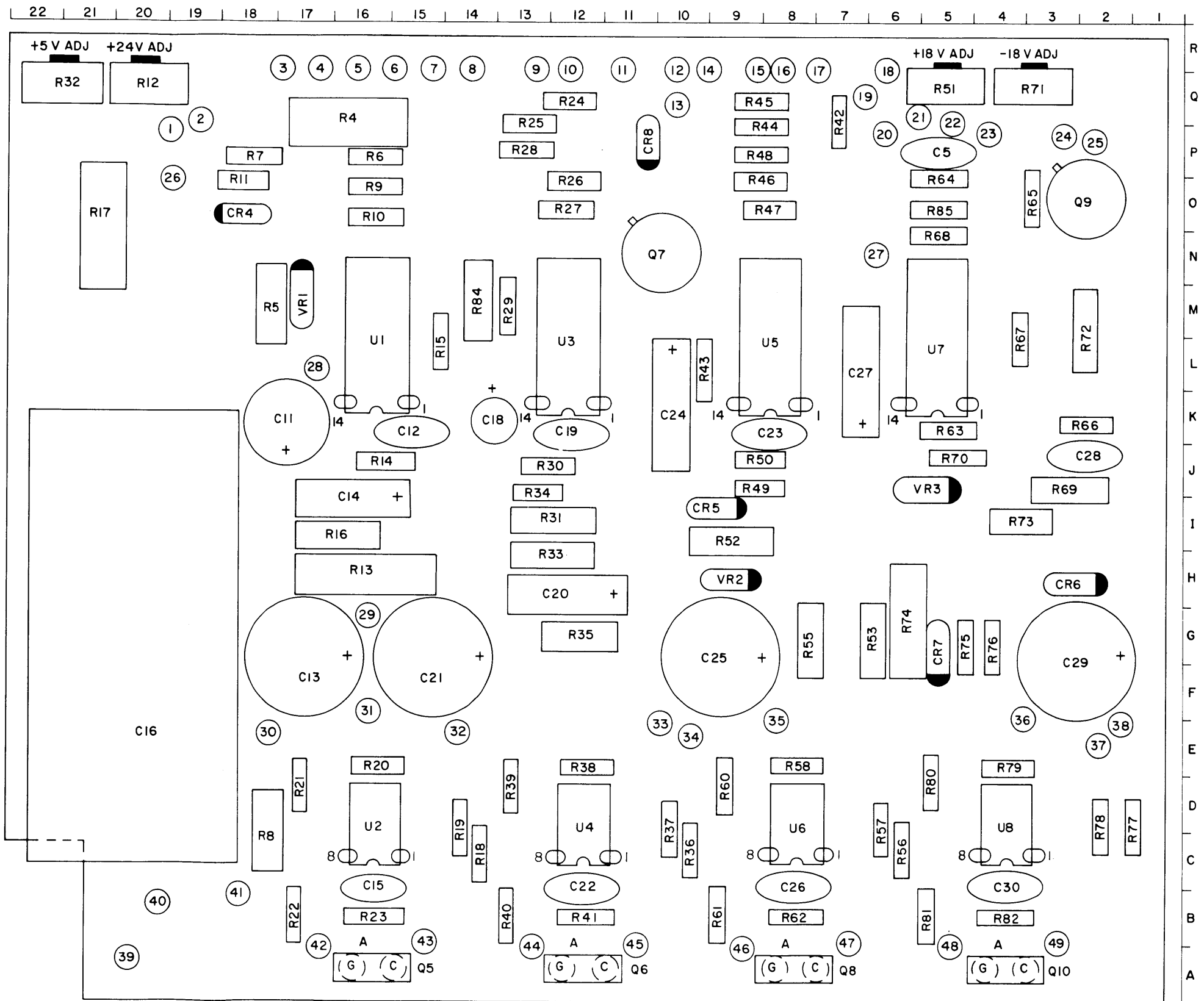


Figure 7-20A. Low Voltage Power Supply 1A4, Maintenance Schematic Diagram (Sheet 1 of 2)



PARTS LOCATION INDEX, LOW VOLTAGE POWER SUPPLY 1A4A1

<u>REFERENCE DESIGNATION</u>	<u>ZONE</u>	<u>REFERENCE DESIGNATION</u>	<u>ZONE</u>	<u>REFERENCE DESIGNATION</u>	<u>ZONE</u>
C1-C4	NOT USED	R15	15L	R66	2K
C5	5P	R16	16I	R67	4M
C6-C10	NOT USED	R17	21O	R68	5N
C11	17K	R18	14C	R69	3J
C12	15K	R19	14D	R70	5J
C13	17G	R20	16E	R71	3Q
C14	16I	R21	17D	R72	2M
C15	16C	R22	17B	R73	3I
C16	20G	R23	16B	R74	6G
C17	NOT USED	R24	12Q	R75	5G
C18	14K	R25	13P	R76	4G
C19	12K	R26	12O	R77	1D
C20	12H	R27	12O	R78	2D
C21	15G	R28	13P	R79	4E
C22	12C	R29	13M	R80	5D
C23	8K	R30	13J	R81	5B
C24	10K	R31	12I	R82	4B
C25	9G	R32	21Q	R83-R84	NOT USED
C26	8C	R33	12H	R85	5O
C27	7L	R34	13J		
C28	2J	R35	12G	VR1	17M
C29	2G	R36	10C	VR2	9H
C30	4C	R37	10D	VR3	5J
		R38	12E		
CR1-CR3	NOT USED	R39	13D		
CR4	18O	R40	13B		
CR5	9I	R41	12B		
CR6	2H	R42	7Q		
CR7	5G	R43	10L		
CR8	11P	R44	8P		
		R45	8Q		
Q1-Q4	NOT USED	R46	8O		
Q5	16A	R47	8O		
Q6	12A	R48	8P		
Q7	10N	R49	8J		
Q8	8A	R50	8J		
Q9	2O	R51	5Q		
Q10	4A	R52	9I		
		R53	6G		
R1-R3	NOT USED	R54	NOT USED		
R4	16Q	R55	8G		
R5	18M	R56	6C		
R6	16P	R57	6D		
R7	18P	R58	8E		
R8	18C	R59	NOT USED		
R9	16O	R60	9D		
R10	16O	R61	9B		
R11	18O	R62	8B		
R12	20Q	R63	5K		
R13	16H	R64	5O		
R14	16J	R65	3O		



PARTS LOCATION INDEX, LOW VOLTAGE  
POWER SUPPLY 1A4A2

<u>REFERENCE DESIGNATION</u>	<u>ZONE</u>
C1-C2	NOT USED
C3	6M
C4	6H
Q1	6N
Q2	6H
Q3	6D

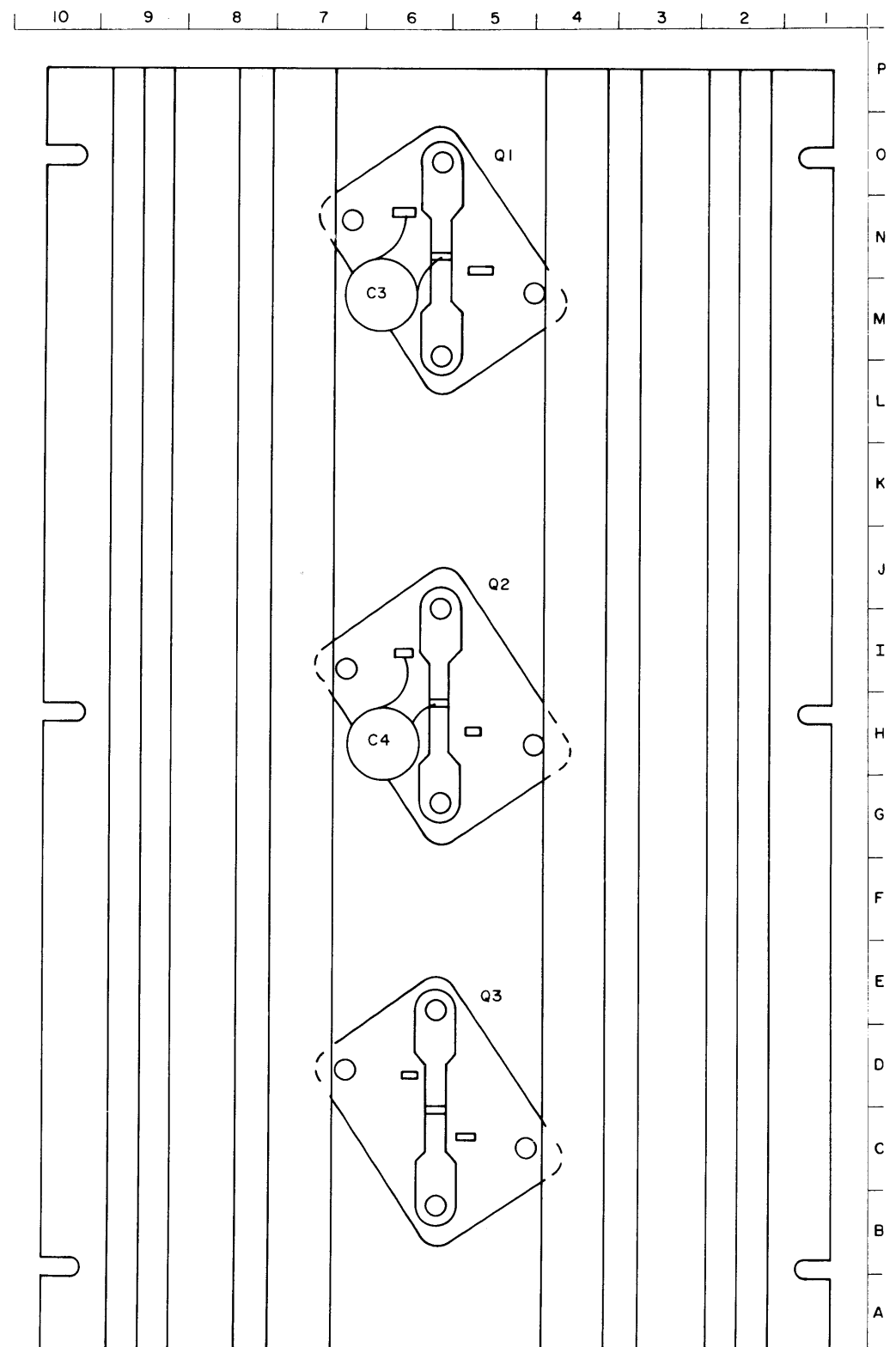
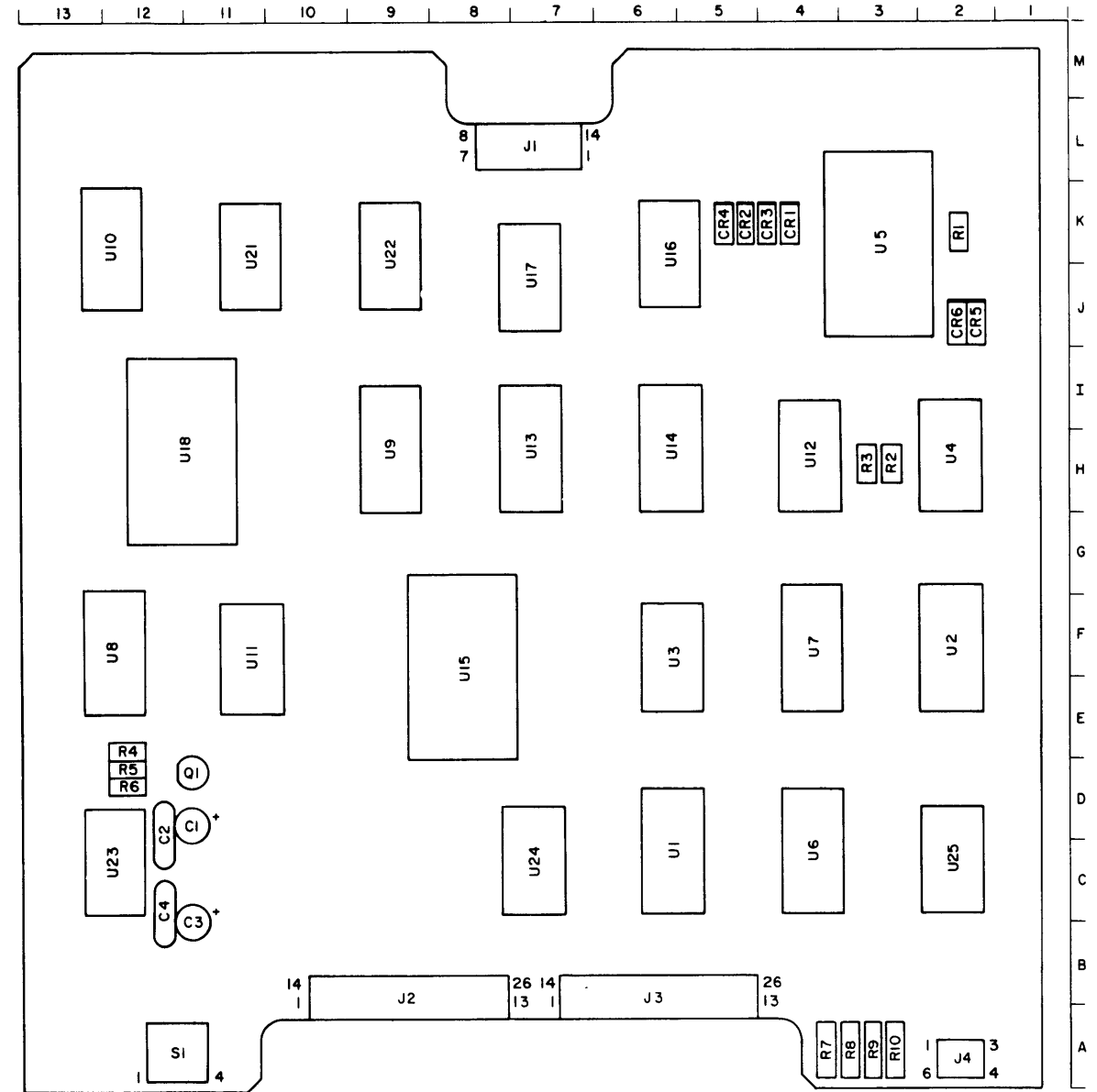


Figure 7-20A. Low Voltage Power Supply 1A4,  
Maintenance Schematic Diagram  
(Sheet 2 of 2)

PARTS LOCATION INDEX, ABSOLUTE POWER 1A6

REFERENCE DESIGNATION	ZONE	REFERENCE DESIGNATION	ZONE
C1	11D	S1	12A
C2	12D	U1	6C
C3	11B	U2	2F
C4	12C	U3	6F
CR1	4K	U4	2H
CR2	5K	U5	3K
CR3	4K	U6	4C
CR4	5K	U7	4F
CR5	2J	U8	12F
CR6	2J	U9	9H
J1	7L	U10	12K
J2	9B	U11	11F
J3	6B	U12	4H
J4	2A	U13	7H
R1	2K	U14	6H
R2	3H	U15	8F
R3	3H	U16	6K
R4	12E	U17	7J
R5	12D	U18	11H
R6	12D	U19	NOT USED
R7	4A	U20	NOT USED
R8	3A	U21	11K
R9	3A	U22	9K
R10	3A	U23	13C
		U24	7C
		U25	2C



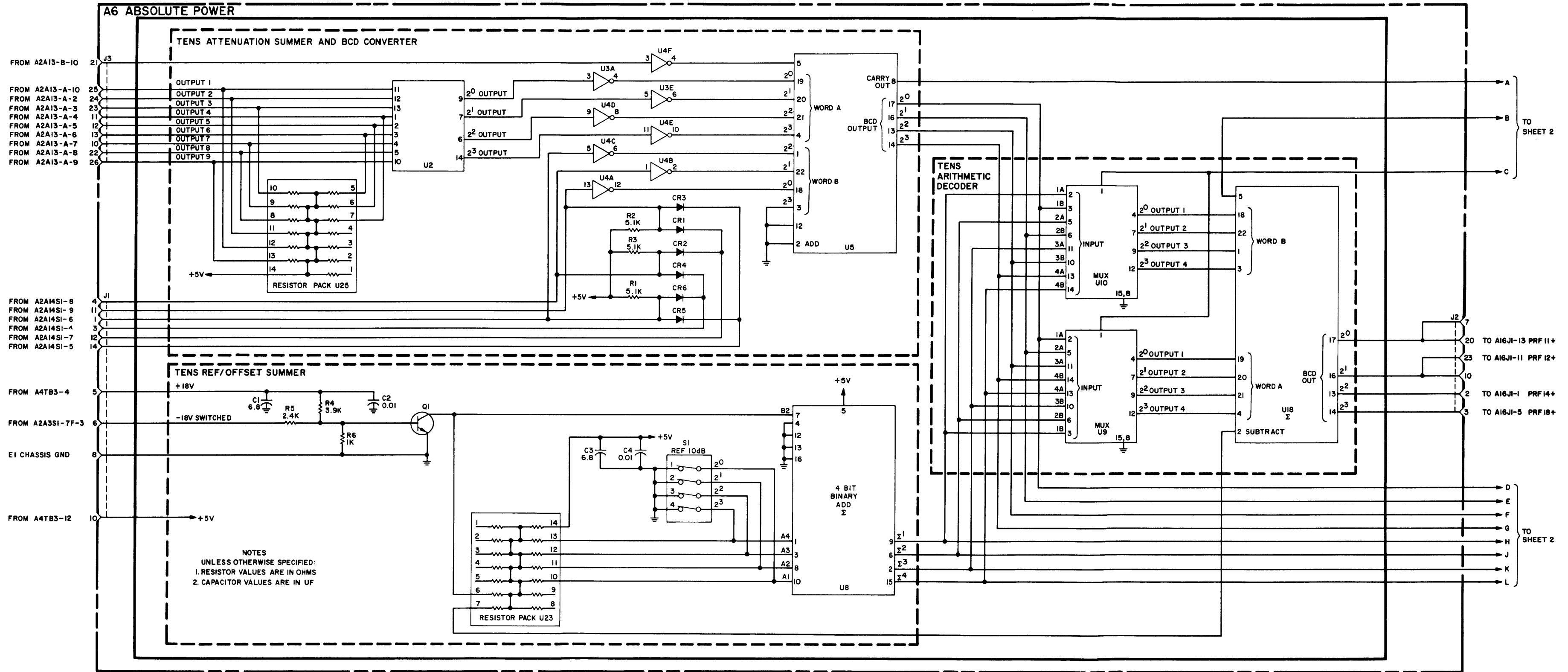


Figure 7-21. Absolute Power Printed Circuit Board 1A6, Maintenance Schematic Diagram (Sheet 1 of 2)

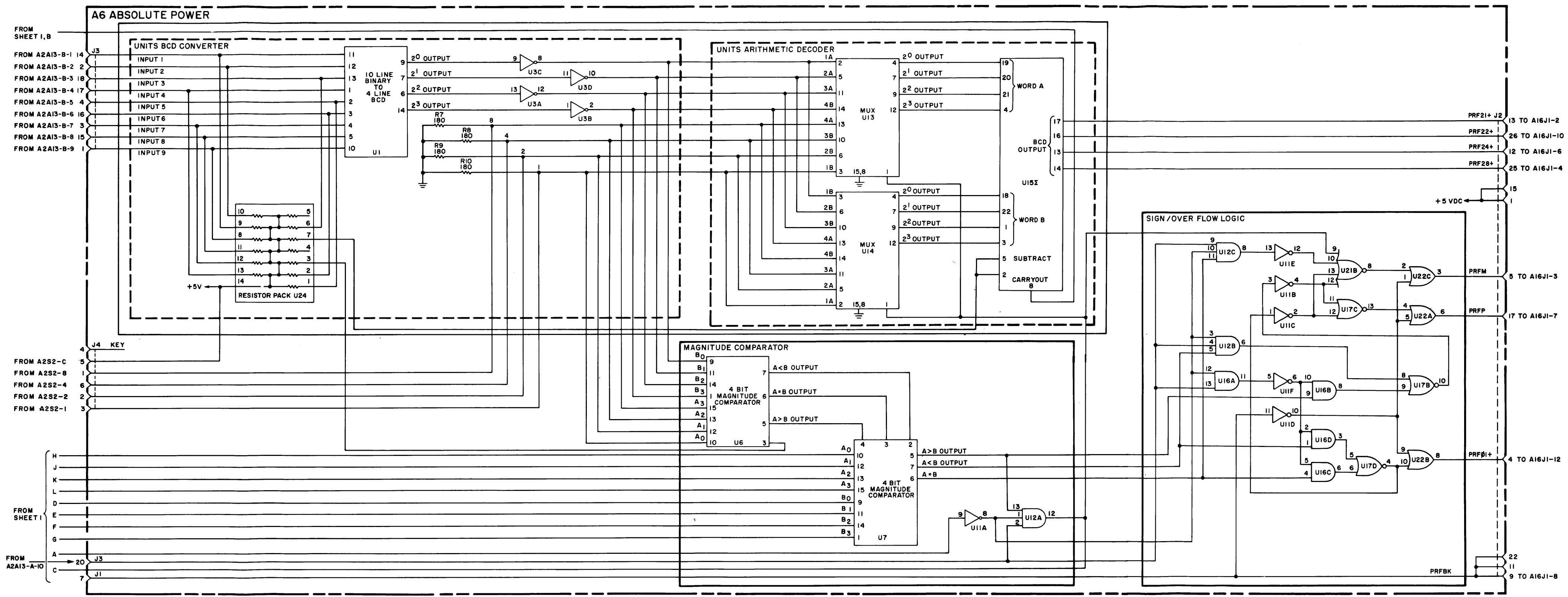
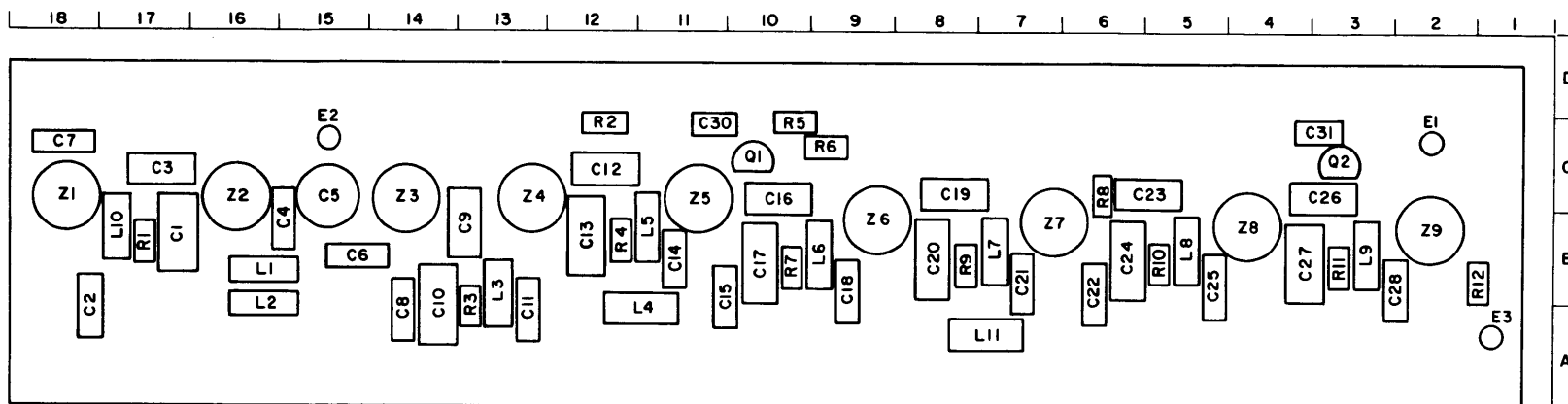
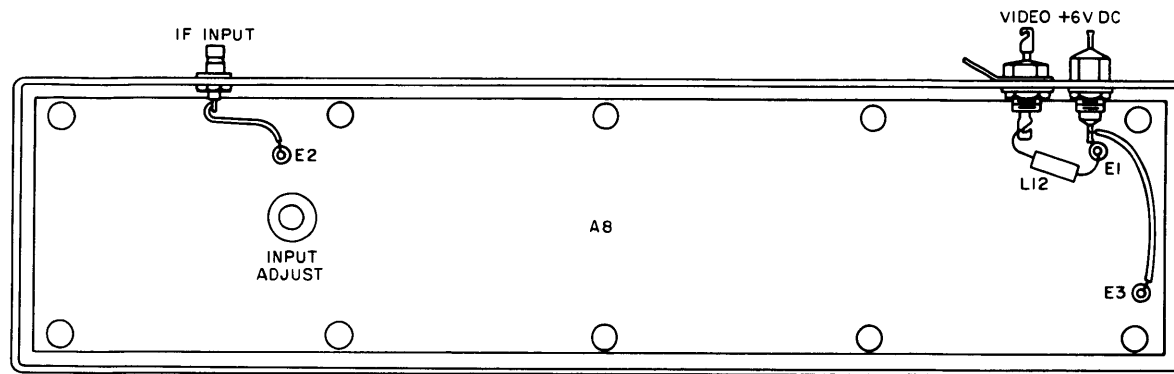


Figure 7-21. Absolute Power Printed Circuit Board 1A6, Maintenance Schematic Diagram (Sheet 2 of 2)





PARTS LOCATION INDEX, LOG IF AMPLIFIER 1A8A1

<u>REFERENCE DESIGNATION</u>	<u>ZONE</u>	<u>REFERENCE DESIGNATION</u>	<u>ZONE</u>	<u>REFERENCE DESIGNATION</u>	<u>ZONE</u>
C1	17B	C26	3C	R1	17B
C2	18B	C27	4B	R2	12C
C3	17C	C28	2B	R3	13A
C4	16C	C29	NOT USED	R4	12B
C5	15C	C30	11C	R5	10C
C6	15B	C31	3C	R6	9C
C7	18C			R7	10B
C8	14A	E1	2C	R8	6C
C9	13B	E2	15C	R9	8B
C10	14A	E3	1A	R10	5B
C11	13A			R11	3B
C12	12C	L1	16B	R12	2B
C13	12B	L2	16A		
C14	11B	L3	13B	Z1	18C
C15	11B	L4	12A	Z2	16C
C16	10C	L5	11B	Z3	14C
C17	10B	L6	9B	Z4	13C
C18	9B	L7	7B	Z5	11C
C19	8C	L8	5B	Z6	9B
C20	8B	L9	3B	Z7	7B
C21	7A	L10	17B	Z8	4B
C22	6B	L11	7A	Z9	2B
C23	5C				
C24	6B	Q1	10C		
C25	5B	Q2	3C		

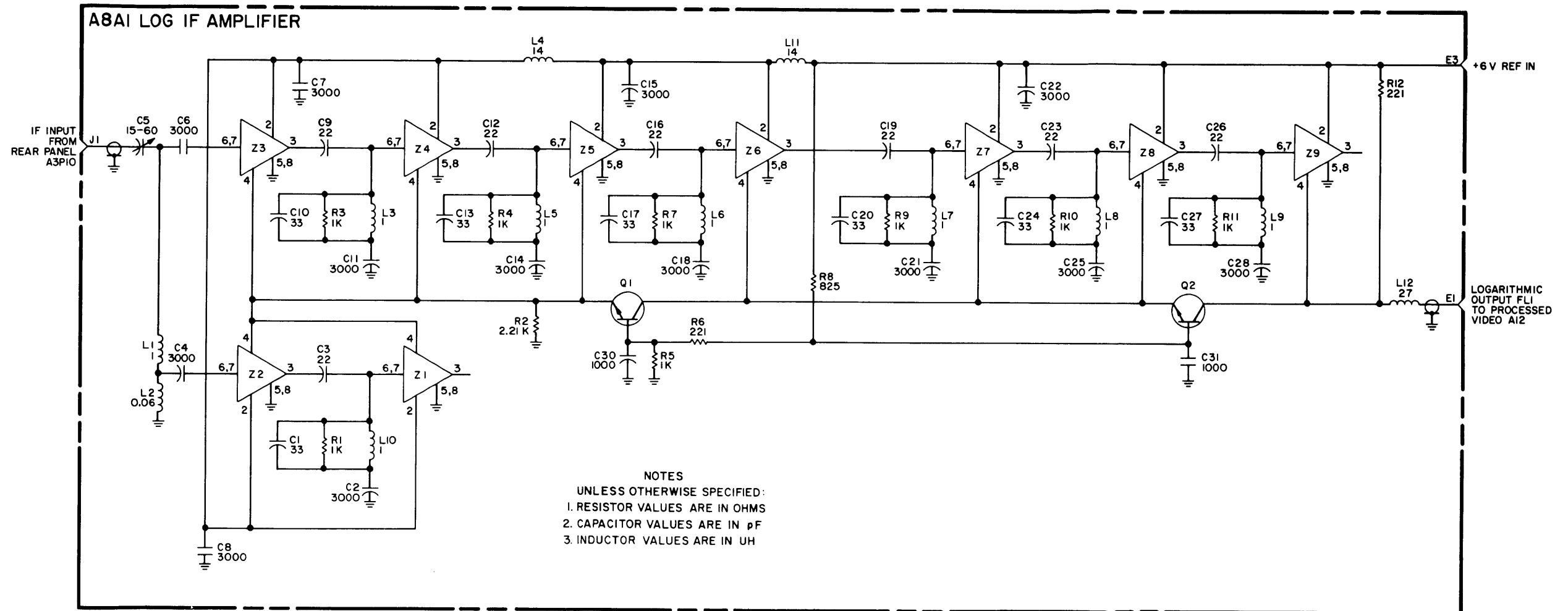
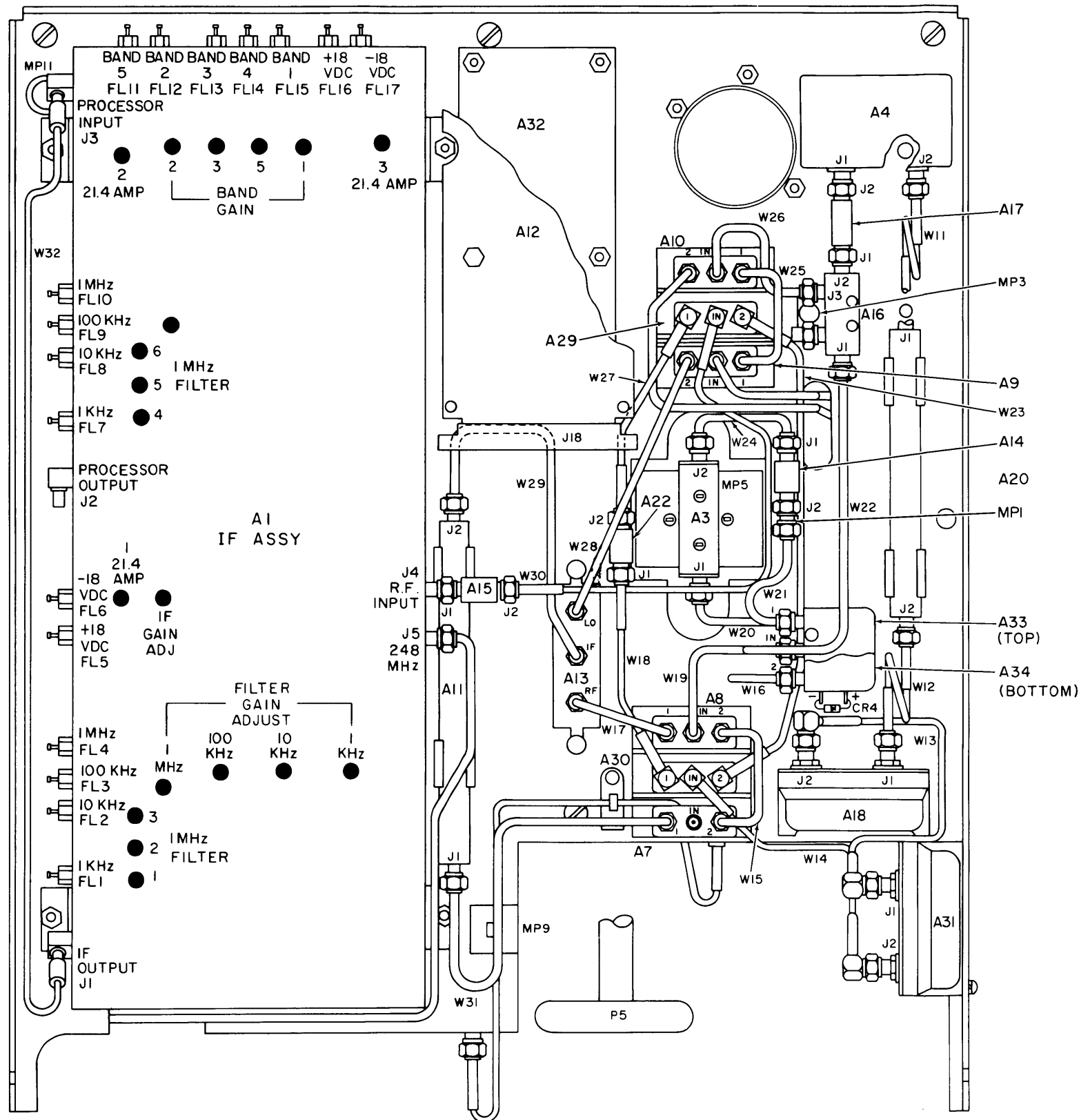


Figure 7-22. Log IF Amplifier Assembly 1A8, Maintenance Schematic Diagram



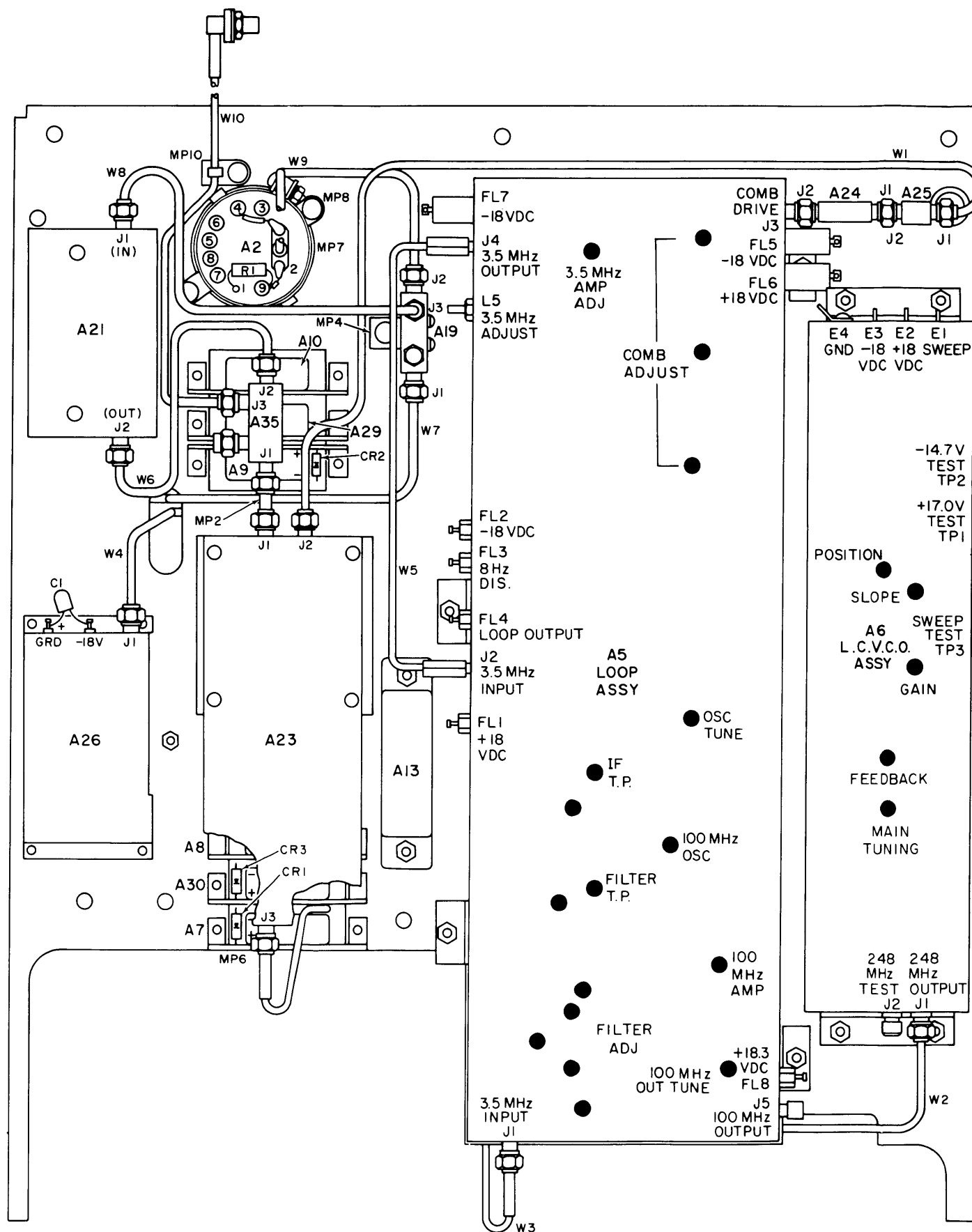
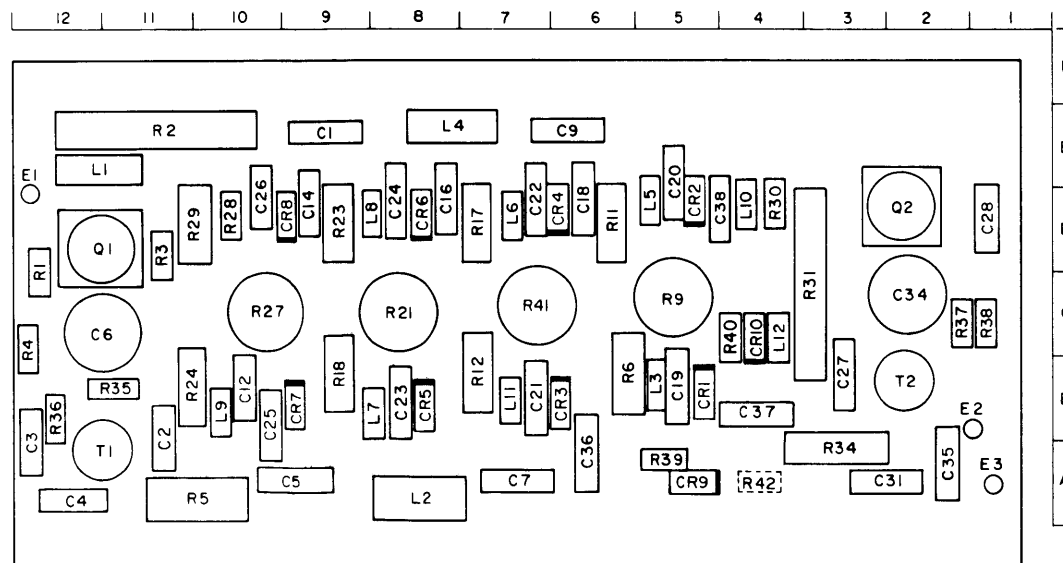
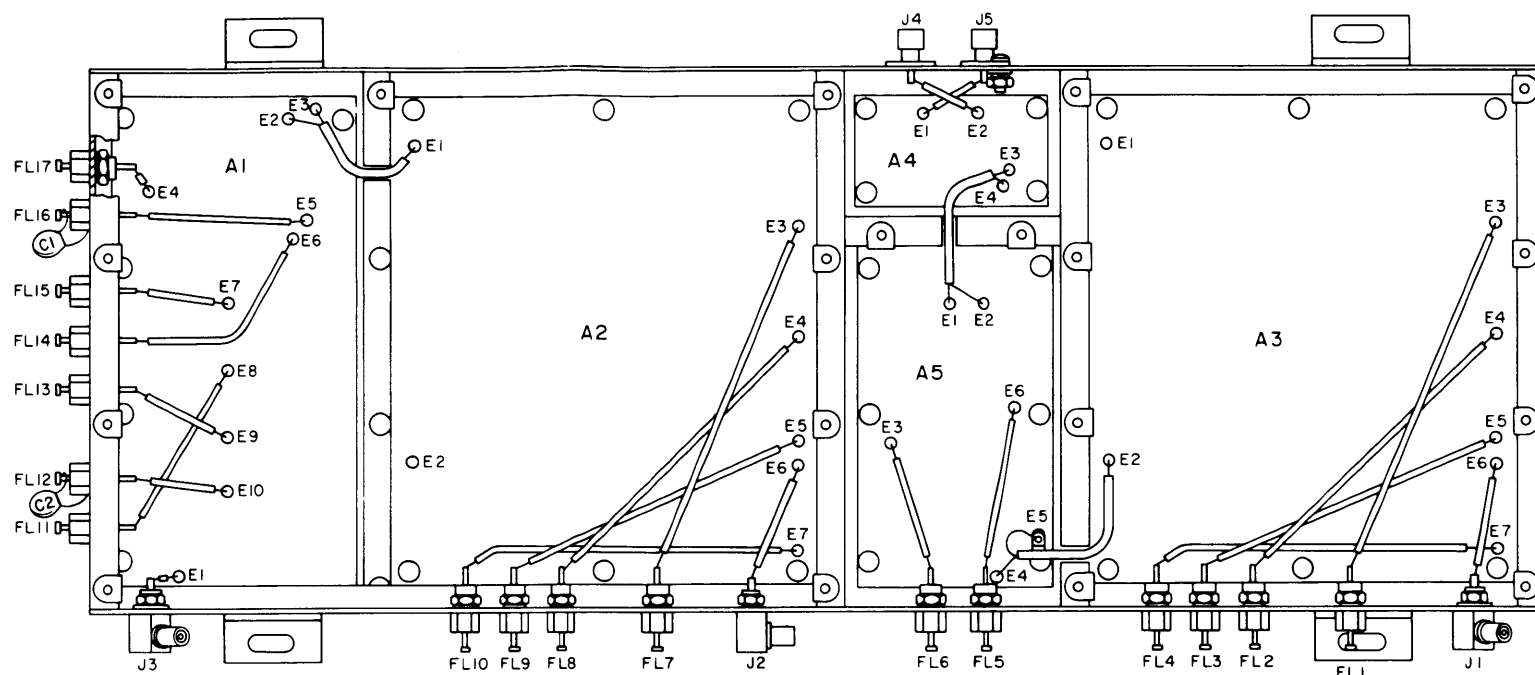


Figure 7-23. RF/IF Assembly 1A10, Component Location Diagram

**PARTS LOCATION INDEX, IF PROCESSOR 1A10A1A1**

<u>REFERENCE DESIGNATION</u>	<u>ZONE</u>	<u>REFERENCE DESIGNATION</u>	<u>ZONE</u>	<u>REFERENCE DESIGNATION</u>	<u>ZONE</u>
C1	9E	CR10	4C	R27	10C
C2	11B			R28	10D
C3	12B	E1	12E	R29	11D
C4	12A	E2	1B	R30	4D
C5	10A	E3	1A	R31	3C
C6	11C			R32	NOT USED
C7	7A	L1	12E	R33	NOT USED
C8	NOT USED	L2	8A	R34	3A
C9	6E	L3	5C	R35	11B
C10	NOT USED	L4	8E	R36	12B
C11	NOT USED	L5	5D	R37	2C
C12	10B	L6	7D	R38	1C
C13	NOT USED	L7	8C	R39	5A
C14	9D	L8	8D	R40	4C
C15	NOT USED	L9	10B	R41	7C
C16	8E	L10	4D	R42	4A
C17	NOT USED	L11	7C		
C18	6D	L12	4C	T1	11A
C19	5B			T2	2B
C20	5E	Q1	12D		
C21	7B	Q2	2D		
C22	7E				
C23	8B	R1	12D		
C24	8D	R2	11E		
C25	10B	R3	11D		
C26	10E	R4	12C		
C27	3B	R5	10A		
C28	1D	R6	6B		
C29	NOT USED	R7	NOT USED		
C30	NOT USED	R8	NOT USED		
C31	2A	R9	5C		
C32	NOT USED	R10	NOT USED		
C33	NOT USED	R11	6D		
C34	2C	R12	7B		
C35	2A	R13	NOT USED		
C36	6A	R14	NOT USED		
C37	4B	R15	NOT USED		
C38	4D	R16	NOT USED		
		R17	17D		
CR1	5B	R18	9B		
CR2	5D	R19	NOT USED		
CR3	6B	R20	NOT USED		
CR4	6D	R21	8C		
CR5	8B	R22	NOT USED		
CR6	8D	R23	9D		
CR7	10B	R24	11B		
CR8	9D	R25	NOT USED		
CR9	5A	R26	NOT USED		



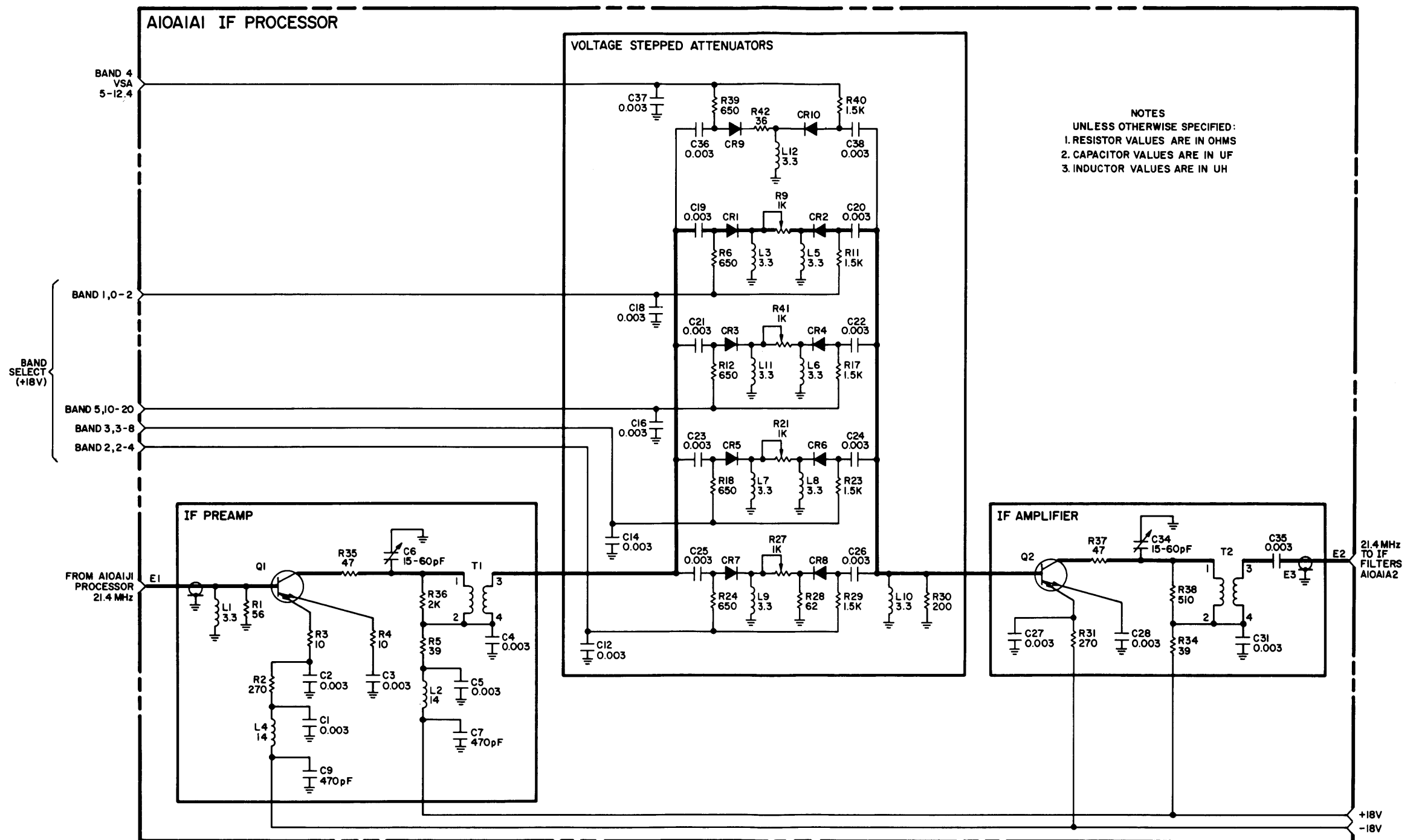
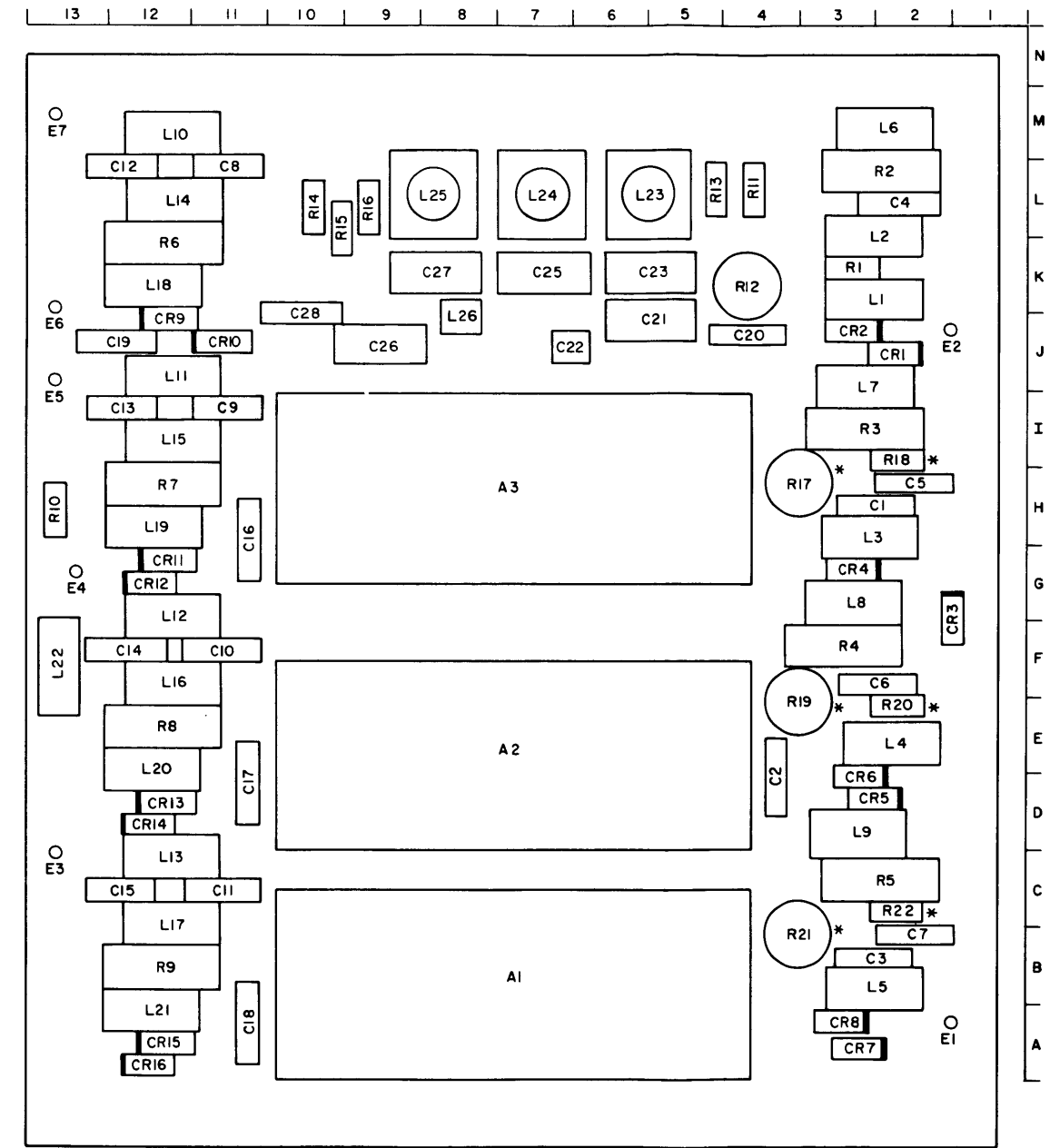


Figure 7-24. IF Processor Assembly 1A10A1, Component Location Diagram and IF Processor Printed Circuit Board 1A10A1A1, Maintenance Schematic Diagram

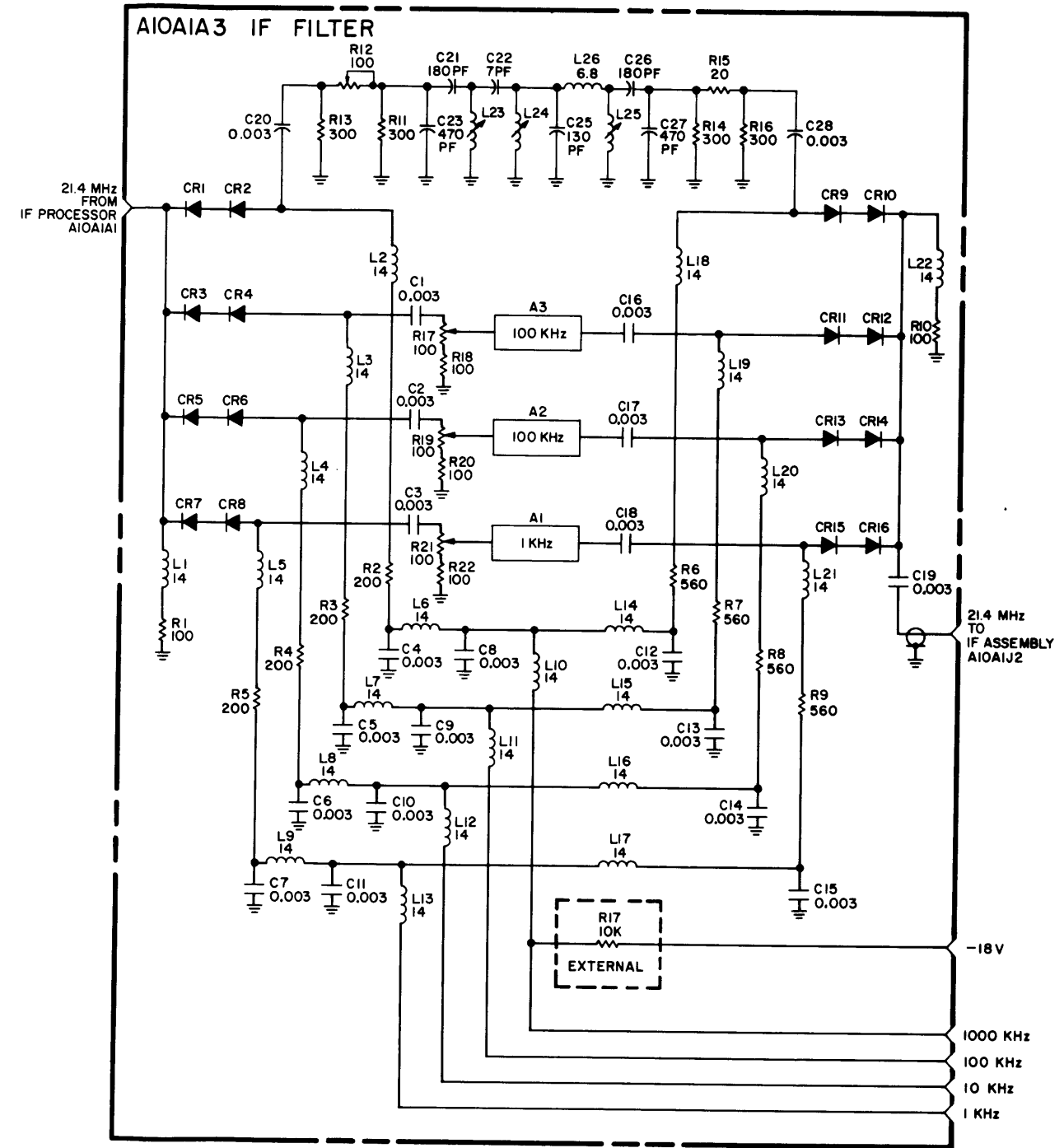
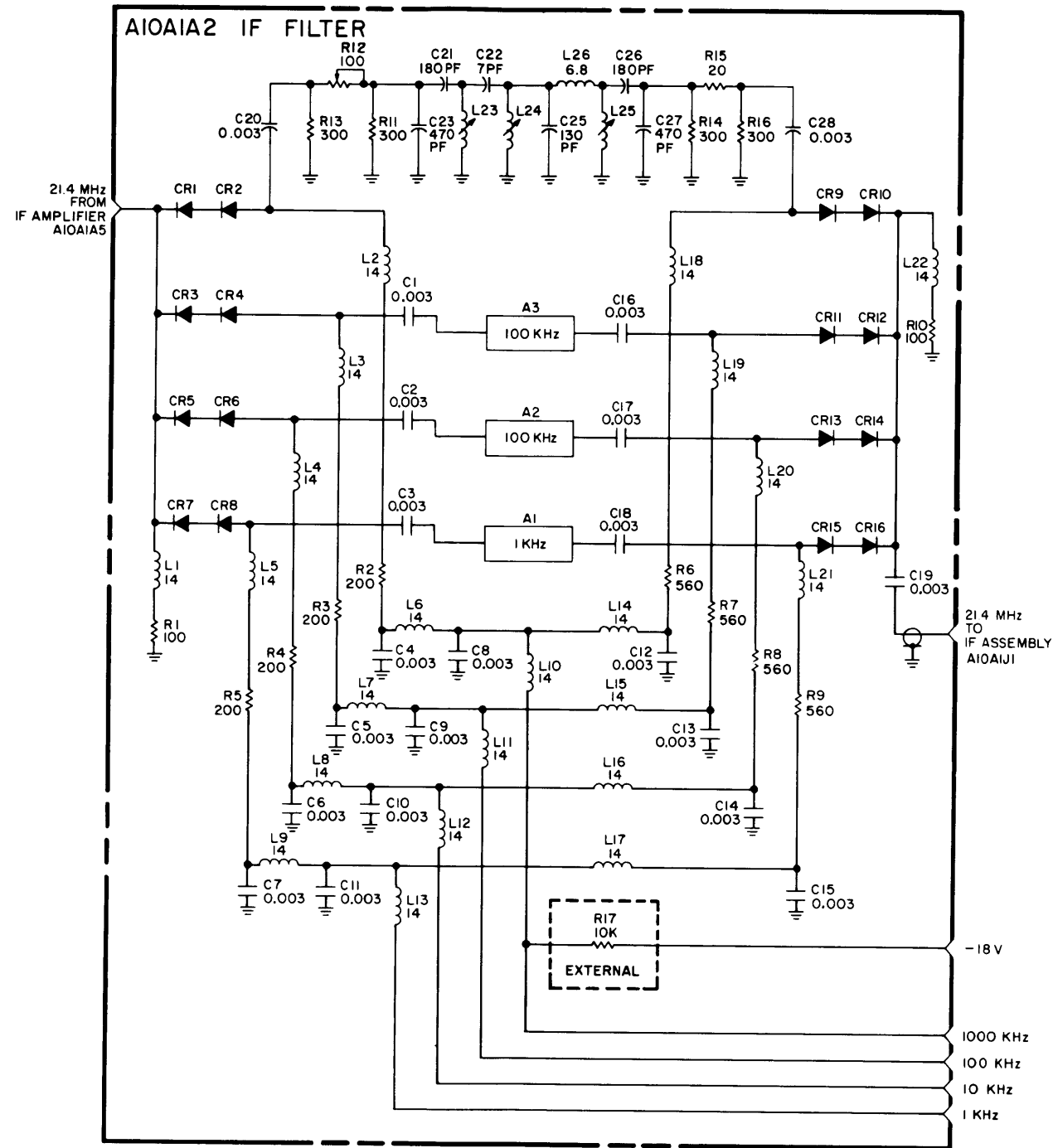
PARTS LOCATION INDEX, IF FILTERS  
1A10A1A2 AND 1A10A1A3

REFERENCE DESIGNATION	ZONE	REFERENCE DESIGNATION	ZONE
C1	2H	L1	2K
C2	4E	L2	2L
C3	2B	L3	2H
C4	2L	L4	2E
C5	2H	L5	3B
C6	2F	L6	2M
C7	2B	L7	3J
C8	11L	L8	3G
C9	11I	L9	3D
C10	11F	L10	12M
C11	11C	L11	12J
C12	12L	L12	12G
C13	12I	L13	12C
C14	12F	L14	12L
C15	12C	L15	12I
C16	11H	L16	12F
C17	11E	L17	12C
C18	11A	L18	12K
C19	12J	L19	12H
C20	4J	L20	12E
C21	5J	L21	12A
C22	7J	L22	13F
C23	5K	L23	6L
C24	NOT USED	L24	7L
C25	7K	L25	8L
C26	9J	L26	8J
C27	8K		
C28	10K		
CR1	2J	R1	2K
CR2	3J	R2	2L
CR3	1G	R3	2I
CR4	3G	R4	3F
CR5	2D	R5	2C
CR6	3D	R6	12K
CR7	3A	R7	12H
CR8	3A	R8	12E
CR9	12J	R9	12B
CR10	11J	R10	13H
CR11	12G	R11	4L
CR12	12G	R12	4K
CR13	12D	R13	5L
CR14	12D	R14	10L
CR15	12A	R15	10L
CR16	12A	R16	9L
		*R17	4H
		*R18	2I
		*R19	4E
		*R20	2E
		*R21	4B
		*R22	2C



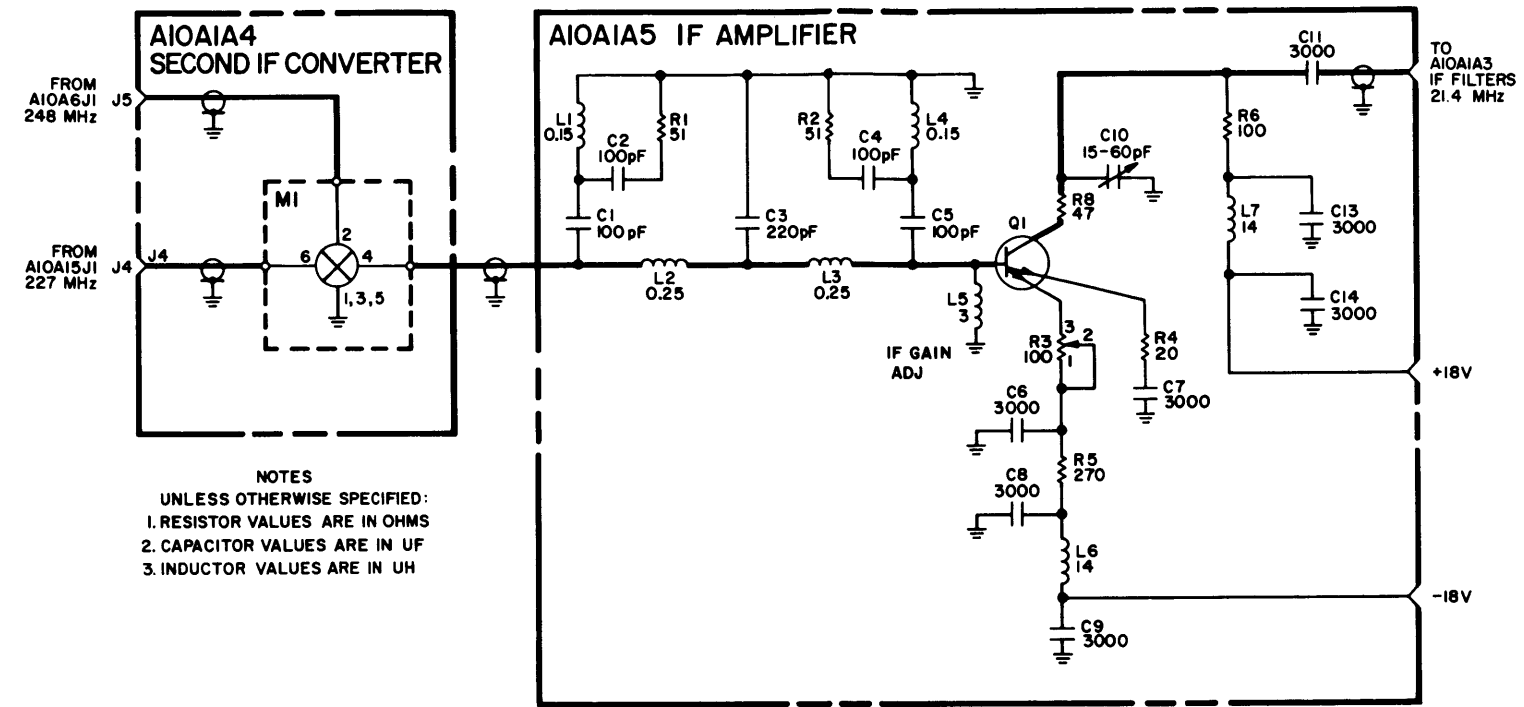
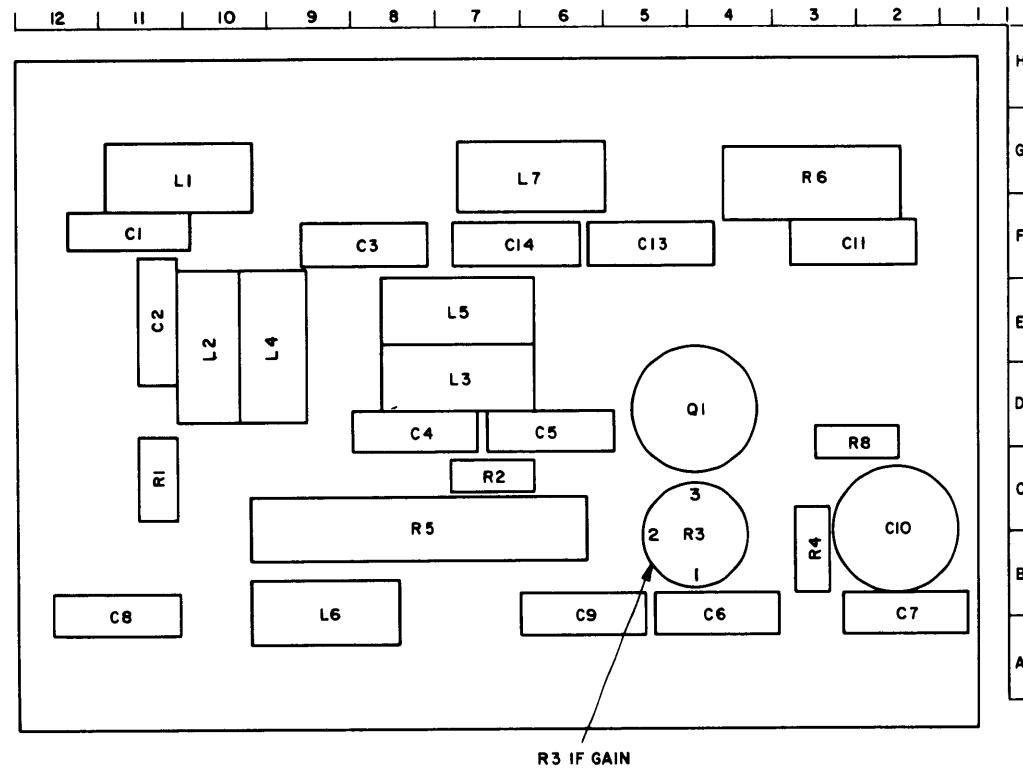
\* USED ON 1A10A1A3





NOTES  
 UNLESS OTHERWISE SPECIFIED:  
 1. RESISTOR VALUES ARE IN OHMS  
 2. CAPACITOR VALUES ARE IN UF  
 3. INDUCTOR VALUES ARE IN UH

Figure 7-25. IF Filters 1A10A1A2 and 1A10A1A3, Maintenance Schematic Diagram



NOTES  
 UNLESS OTHERWISE SPECIFIED:  
 1. RESISTOR VALUES ARE IN OHMS  
 2. CAPACITOR VALUES ARE IN UF  
 3. INDUCTOR VALUES ARE IN UH

PARTS LOCATION INDEX, IF AMPLIFIER 1A10A1A5

REFERENCE DESIGNATION	ZONE	REFERENCE DESIGNATION	ZONE	REFERENCE DESIGNATION	ZONE
C1	11F	C12	NOT USED	Q1	5D
C2	11E	C13	5F	R1	11C
C3	8F	C14	6F	R2	7C
C4	8D	L1	11G	R3	5B
C5	6D	L2	10E	R4	3B
C6	4B	L3	7D	R5	8C
C7	2B	L4	10E	R6	3G
C8	12B	L5	7E	R7	NOT USED
C9	6B	L6	9B	R8	3D
C10	2C	L7	6G		
C11	2F				

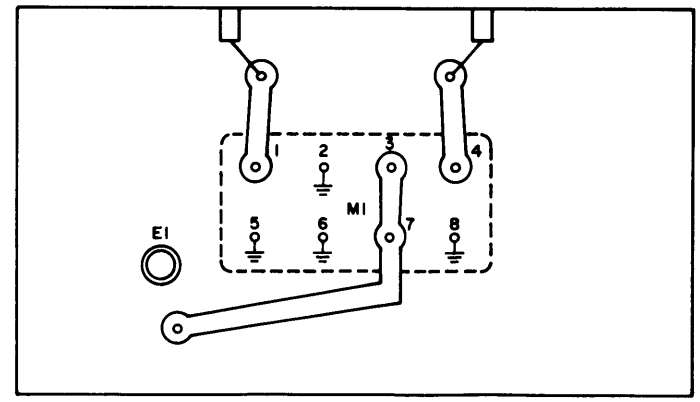


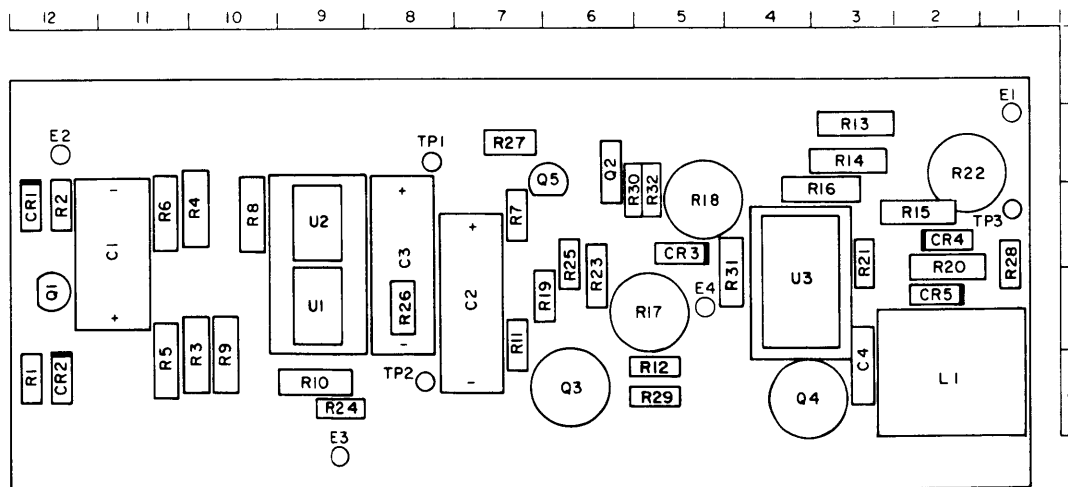
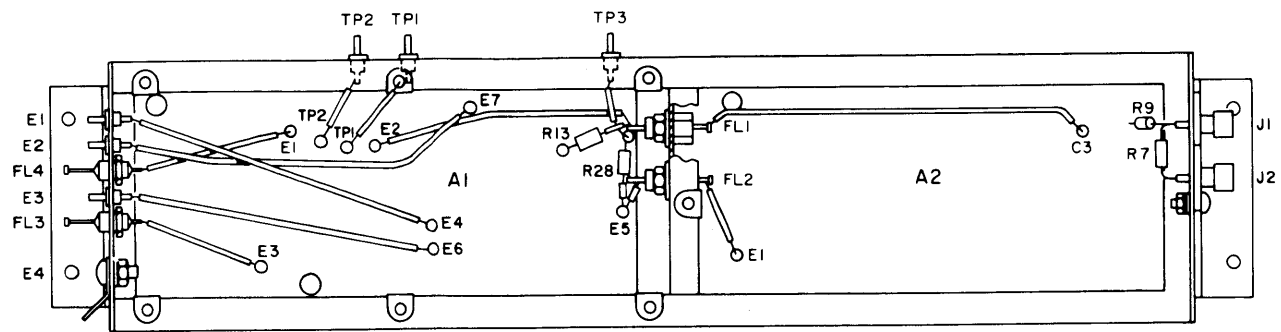
Figure 7-26. Second IF Converter 1A10A1A4 and IF Amplifier 1A10A1A5, Maintenance Schematic Diagram

**PARTS LOCATION INDEX, LCVCO SHAPER 1A10A6A1**

<u>REFERENCE DESIGNATION</u>	<u>ZONE</u>	<u>REFERENCE DESIGNATION</u>	<u>ZONE</u>
C1	11C	R9	10B
C2	7B	R10	9A
C3	8C	R11	7B
C4	3A	R12	5A
		R13	2D
CR1	12C	R14	3D
CR2	12A	R15	2C
CR3	5C	R16	4C
CR4	2C	R17	5B
CR5	2B	R18	5C
		R19	7B
E1	1E	R20	2C
E2	12D	R21	3C
E3	9A	R22	2D
E4	5B	R23	6C
		R24	9A
L1	2A	R25	6C
		R26	8B
Q1	12B	R27	7D
Q2	6D	R28	1C
Q3	6A	R29	5A
Q4	4A	R30	5D
Q5	6D	R31	4C
		R32	5D
R1	12A		
R2	12C	TP1	8D
R3	10B	TP2	8A
R4	10C	TP3	1C
R5	11A		
R6	11C	U1	9B
R7	7C	U2	9C
R8	10C	U3	4C

**PARTS LOCATION INDEX, LCVCO  
OSCILLATOR 1A10A6A2**

<u>REFERENCE DESIGNATION</u>	<u>ZONE</u>	<u>REFERENCE DESIGNATION</u>	<u>ZONE</u>
C1	17C	Q3	5C
C2	14C		
C3	7E	R1	18A
C4	NOT USED	R2	18E
C5	5E	R3	7D
C6	6B	R4	19B
C7	15E	R5	17A
C8	15A	R6	17D
		R7	2D
L1	NOT USED	R8	5F
L2	4E	R9	3E
L3	3B	R10	3D
		R11	6A
Q1	16B	R12	2B
Q2	16E		



**NOTES**  
 UNLESS OTHERWISE SPECIFIED:  
 1. RESISTOR VALUES ARE IN OHMS  
 2. CAPACITOR VALUES ARE IN UF  
 3. INDUCTOR VALUES ARE IN UH

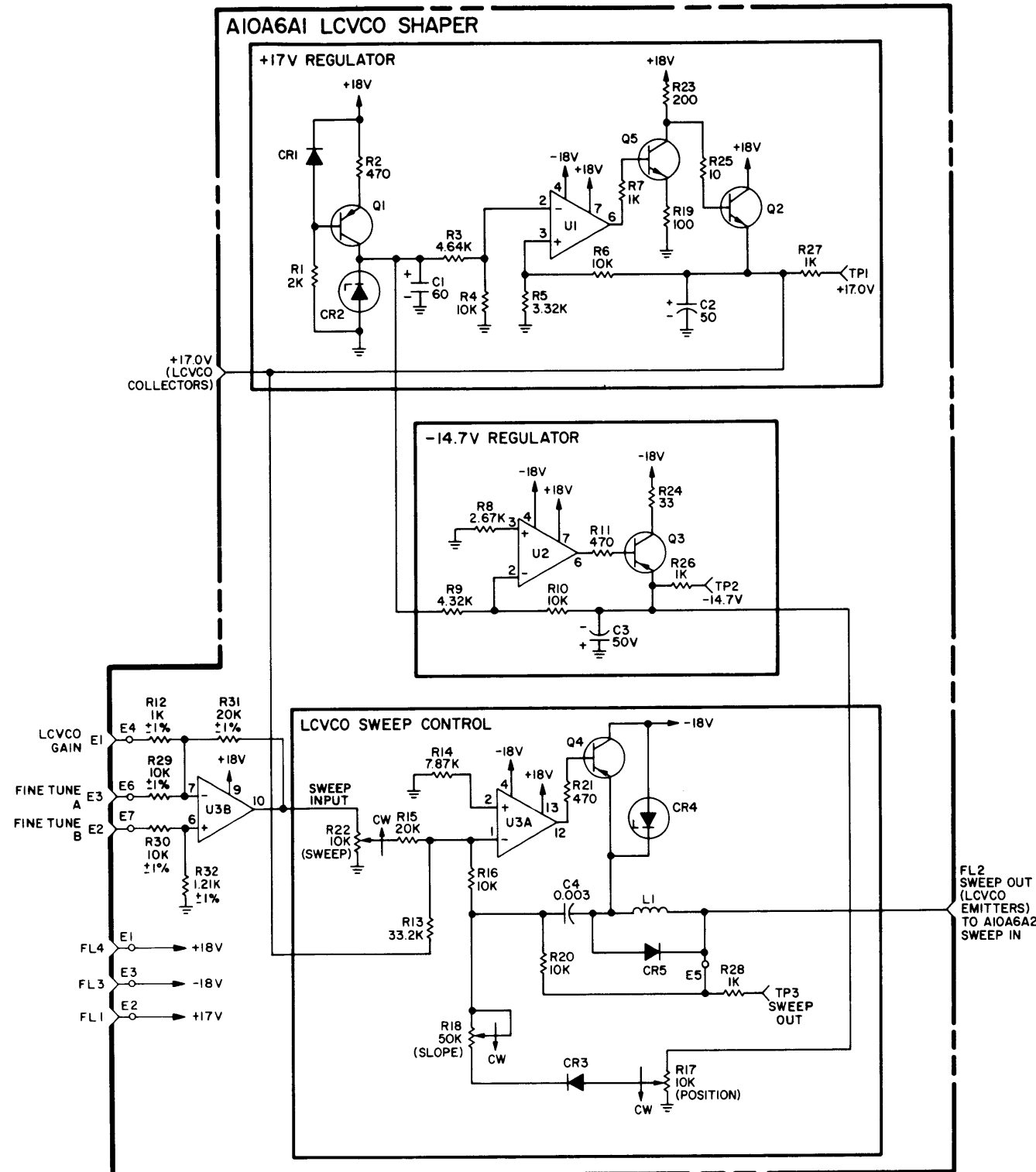
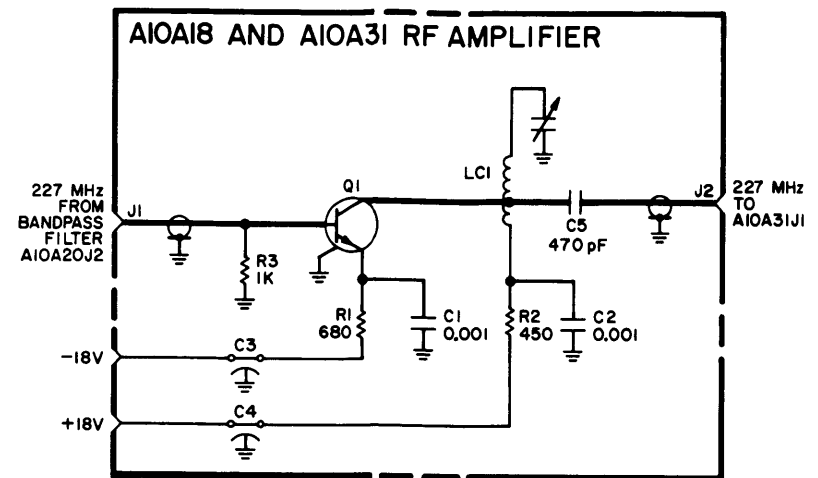


Figure 7-27. Local Oscillator 1A10A6, Component Location Diagram; LCVCO Shaper Printed Circuit Board 1A10A6A1 and LCVCO Oscillator Printed Circuit Board 1A10A6A2, Maintenance Schematic Diagrams



	J1	J2
AIOA18	FROM AIOA20J2	TO AIOA31J1
AIOA31	FROM AIOA18J2	TO AIOA30J2

**PARTS LOCATION INDEX, RF AMPLIFIER  
1A10A18 AND 1A10A31**

REFERENCE DESIGNATION	ZONE	REFERENCE DESIGNATION	ZONE
C1	5E	Q1	4F
C2	3C		
C3	3F	R1	3E
C4	3A	R2	3B
C5	4B	R3	5G
J1	5F	T1	3D
J2	5A		
LC1	5C		

NOTES  
UNLESS OTHERWISE SPECIFIED:  
1. RESISTOR VALUES ARE IN OHMS  
2. CAPACITOR VALUES ARE IN UF  
3. INDUCTOR VALUES ARE IN UH

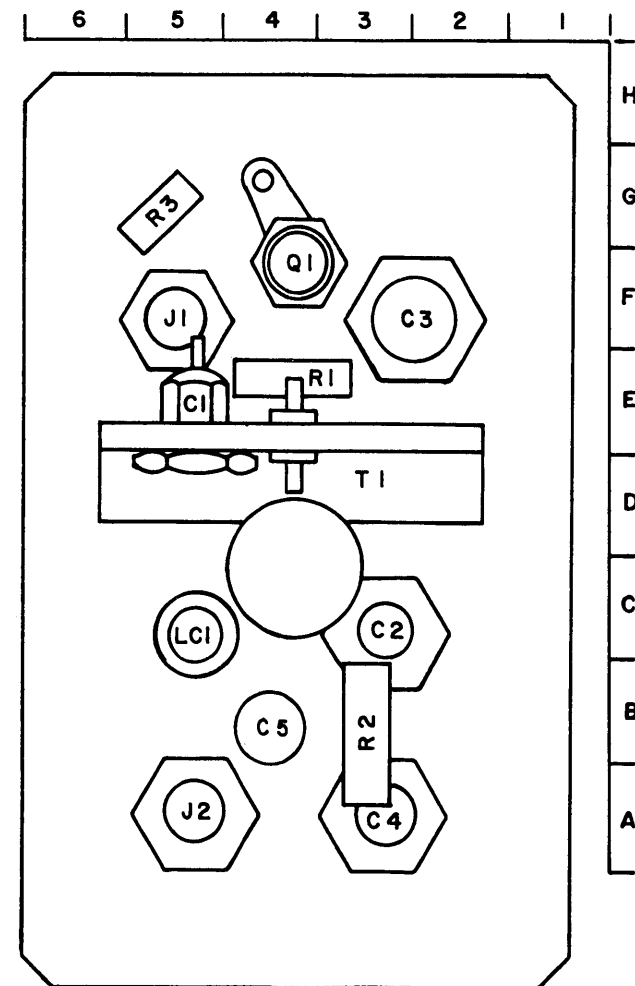
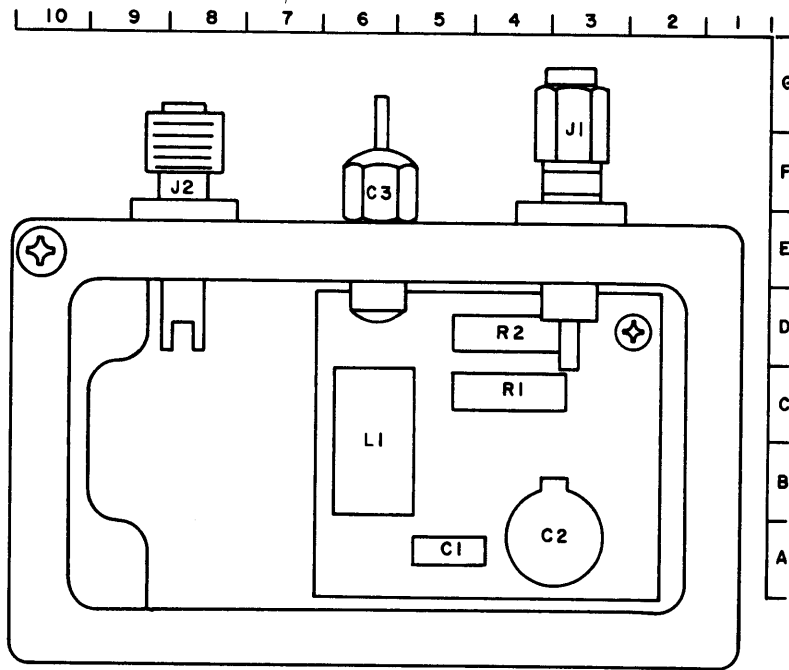
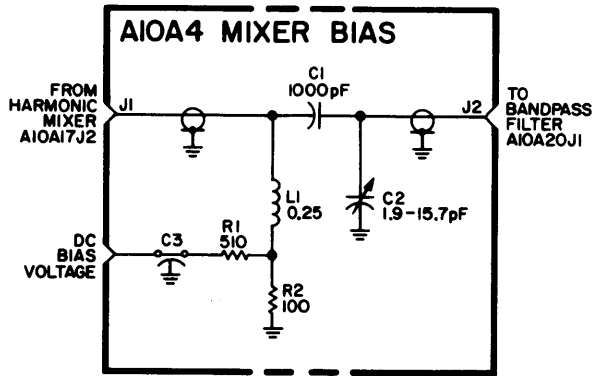


Figure 7-28. RF Amplifiers 1A10A18 and 1A10A31, Maintenance Schematic Diagram



**PARTS LOCATION INDEX, MIXER BIAS 1A10A4**

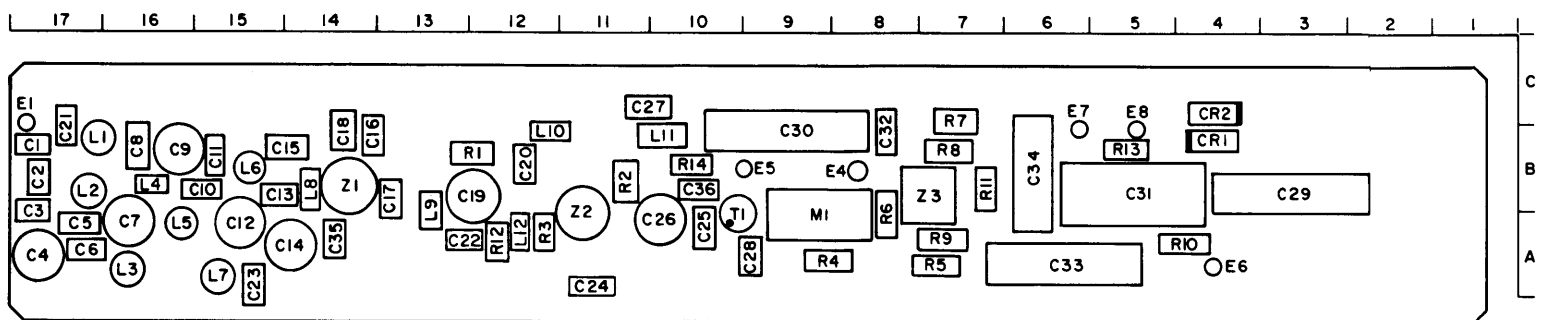
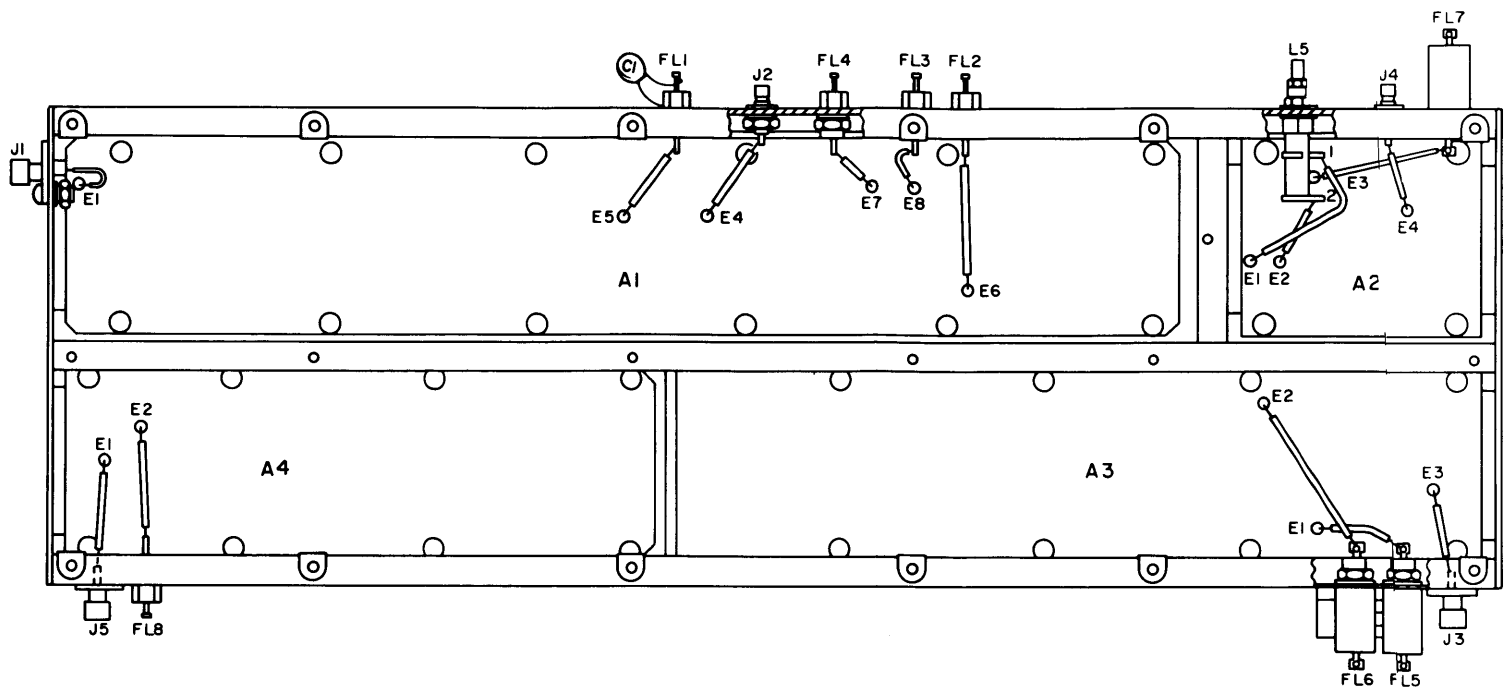
<u>REFERENCE DESIGNATION</u>	<u>ZONE</u>
C1	5A
C2	3A
C3	6F
J1	3F
J2	8F
L1	6B
R1	4C
R2	4D

Figure 7-29. Mixer Bias 1A10A4, Maintenance Schematic Diagram

**PARTS LOCATION INDEX, LOOP CONTROL 1A10A5A1**

<u>REFERENCE DESIGNATION</u>	<u>ZONE</u>	<u>REFERENCE DESIGNATION</u>	<u>ZONE</u>	<u>REFERENCE DESIGNATION</u>	<u>ZONE</u>
C1	17B	C28	9A	L6	15B
C2	17B	C29	3B	L7	15A
C3	17B	C30	9B	L8	14B
C4	17A	C31	5B	L9	13A
C5	17B	C32	8B	L10	12B
C6	17A	C33	6A	L11	10B
C7	16A	C34	6B	L12	12A
C8	16B	C35	14A		
C9	16B	C36	10B	M1	9A
C10	15B				
C11	15B	CR1	4B	R1	12B
C12	15A	CR2	4C	R2	11B
C13	14B			R3	12A
C14	14A	E1	17C	R4	8A
C15	14B	E2	NOT USED	R5	7A
C16	13B	E3	NOT USED	R6	8A
C17	13B	E4	8B	R7	7C
C18	14C	E5	9B	R8	7B
C19	12B	E6	4A	R9	7A
C20	12B	E7	6C	R10	5A
C21	17C	E8	5C	R11	7B
C22	12A			R12	12A
C23	15A	L1	17B	R13	5B
C24	11A	L2	17B	R14	10B
C25	10A	L3	16A		
C26	10B	L4	16B	T1	9A
C27	10A	L5	16A		
				Z1	14B
				Z2	11B
				Z3	7B





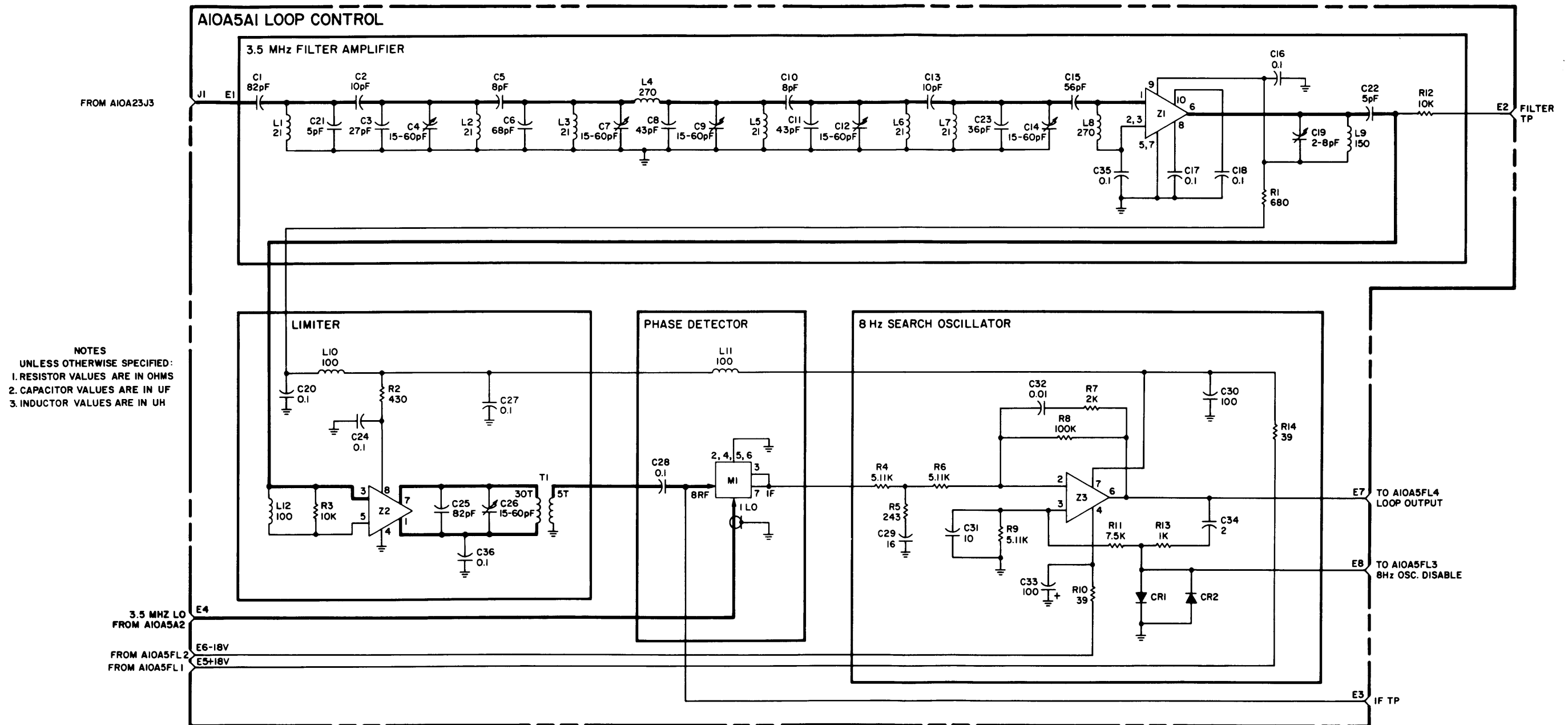
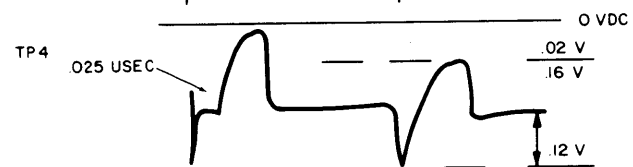
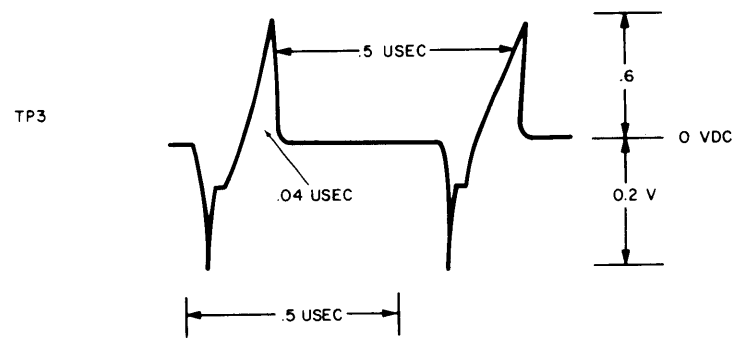
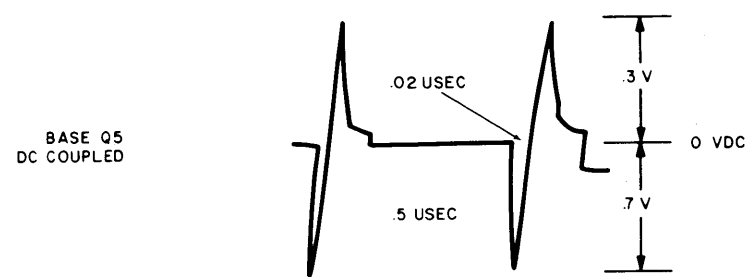
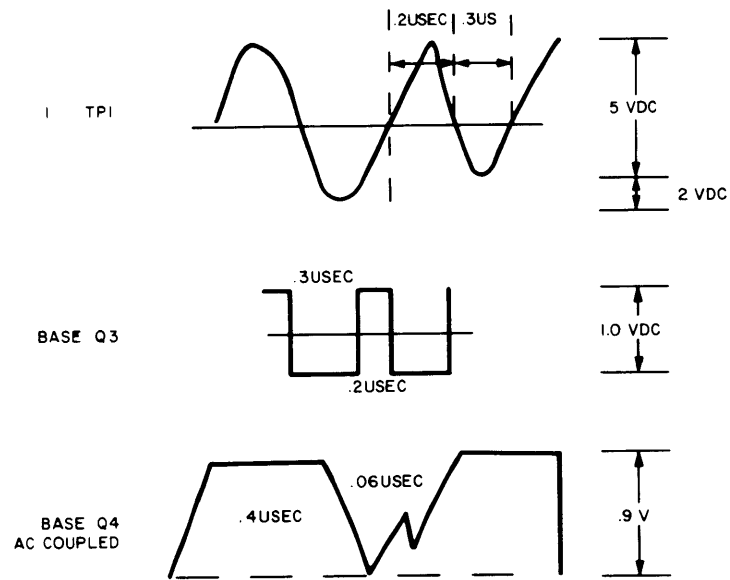


Figure 7-30. Loop Control Assembly 1A10A5, Component Location Diagram and Loop Control Printed Circuit Board 1A10A5A1, Maintenance Schematic Diagram

PARTS LOCATION INDEX, 3.5 MHz  
OSCILLATOR 1A10A5A2

A10A5A3 COMB SOURCE



REFERENCE DESIGNATION	ZONE	REFERENCE DESIGNATION	ZONE
C1	NOT USED	L1	7C
C2	8G	L2	2B
C3	7E	L3	2C
C4	10B	L4	2D
C5	7C	L5	2F
C6	5F	Q1	8F
C7	6F	Q2	5D
C8	4C	R1	9E
C9	2B	R2	8D
C10	4F	R3	9D
C11	2E	R4	5C
C12	3B	R5	6C
C13	2F	R6	5F
CR1	10F	R7	5B

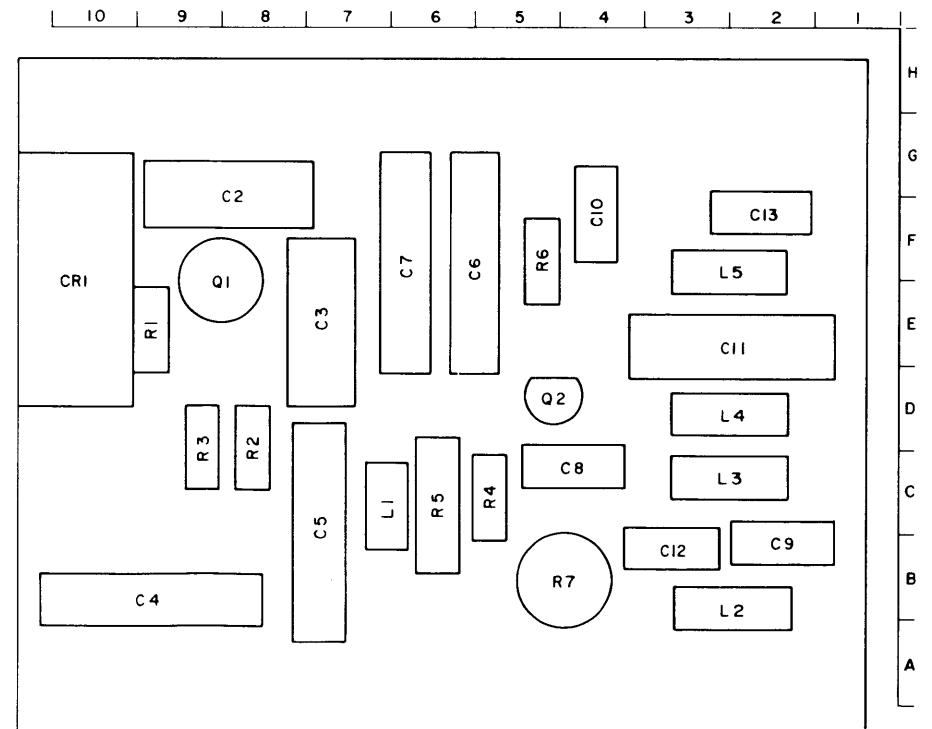
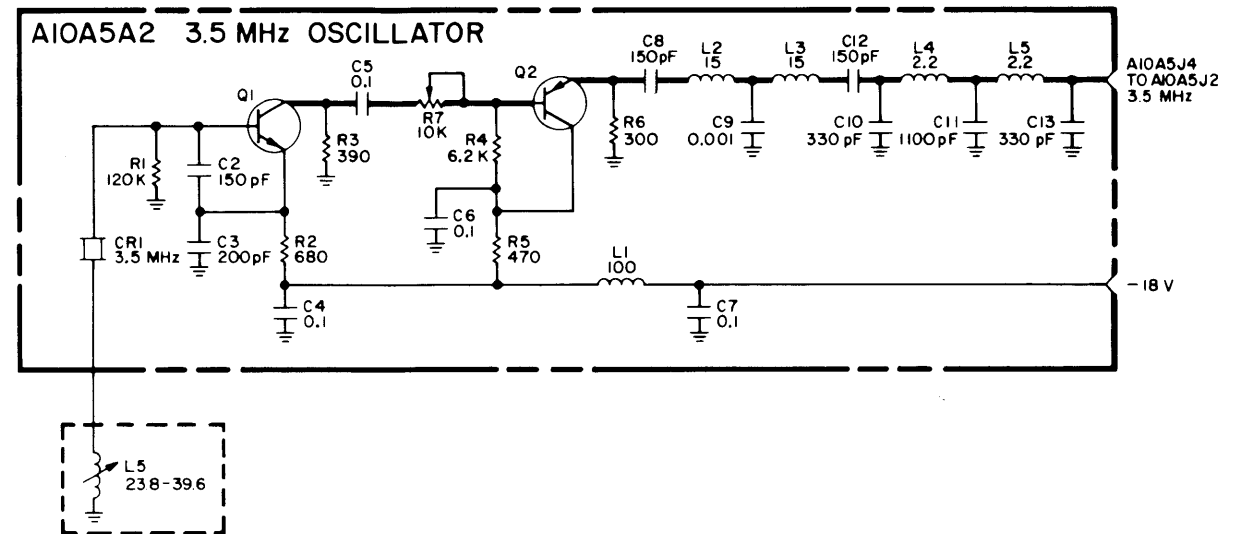
PARTS LOCATION INDEX, COMB SOURCE 1A10A5A3

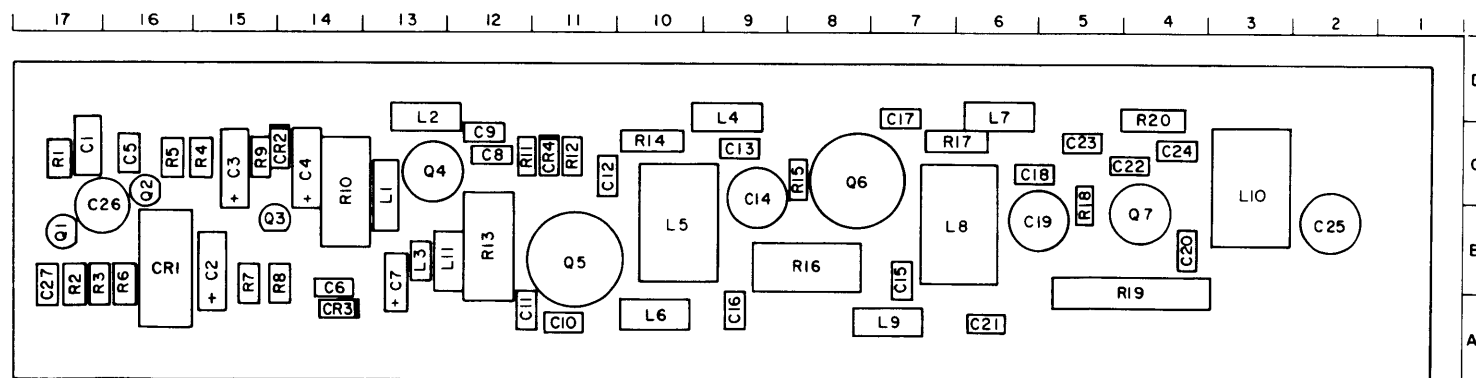
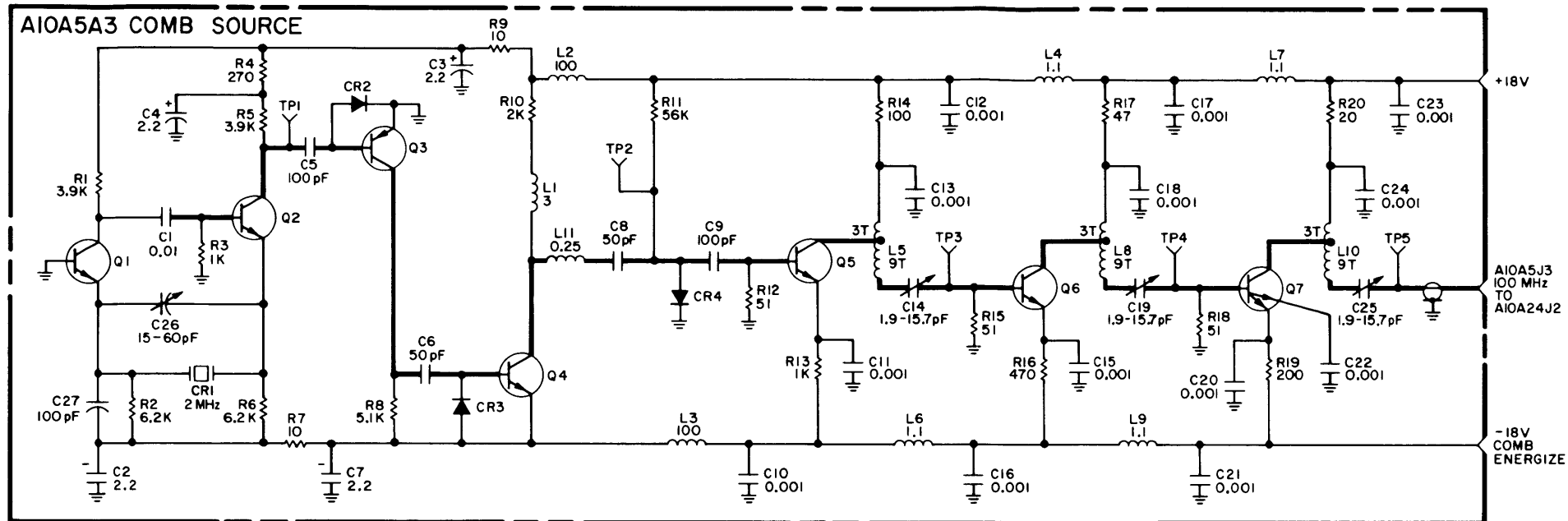
REFERENCE DESIGNATION	ZONE	REFERENCE DESIGNATION	ZONE	REFERENCE DESIGNATION
C1	17C	C25	2B	Q4
C2	15B	C26	16C	Q5
C3	15C	C27	17B	Q6
C4	14C			Q7
C5	16C	CR1	16B	R1
C6	14B	CR2	14C	R2
C7	13B	CR3	14A	R3
C8	12C	CR4	11C	R4
C9	12C			R5
C10	11A	L1	13C	R6
C11	11A	L2	13C	R7
C12	11C	L3	13B	R8
C13	9C	L4	9C	R9
C14	9C	L5	10B	R10
C15	7B	L6	10A	R11
C16	9A	L7	6C	R12
C17	7C	L8	7B	R13
C18	5C	L9	7A	R14
C19	5B	L10	3C	R15
C20	4B	L11	12B	R16
C21	6A			R17
C22	4C	Q1	17B	R18
C23	5C	Q2	16C	R19
C24	4C	Q3	15B	R20

PARTS LOCATION INDEX, 100 MHz  
OSCILLATOR 1A10A5A4

REFERENCE DESIGNATION	ZONE	REFERENCE DESIGNATION	ZONE
C1	13C	L2	11B
C2	13B	L3	8C
C3	10D	L4	3C
C4	10C	L5	1B
C5	10A		
C6	12A	Q1	9D
C7	NOT USED	Q2	5C
C8	10A	Q3	12B
C9	NOT USED		
C10	9B	R1	10B
C11	5A	R2	8A
C12	6D	R3	7B
C13	3B	R4	4B
C14	2D	R5	6D
C15	5A	R6	9C
C16	4A	R7	13C
		R8	13B
E1	2C	R9	13D
E2	3B	R10	9B
E3	5B	R11	4A
L1	11D	Y1	11C

NOTES  
UNLESS OTHERWISE SPECIFIED:  
1. RESISTOR VALUES ARE IN OHMS  
2. CAPACITOR VALUES ARE IN UF  
3. INDUCTOR VALUES ARE IN UH





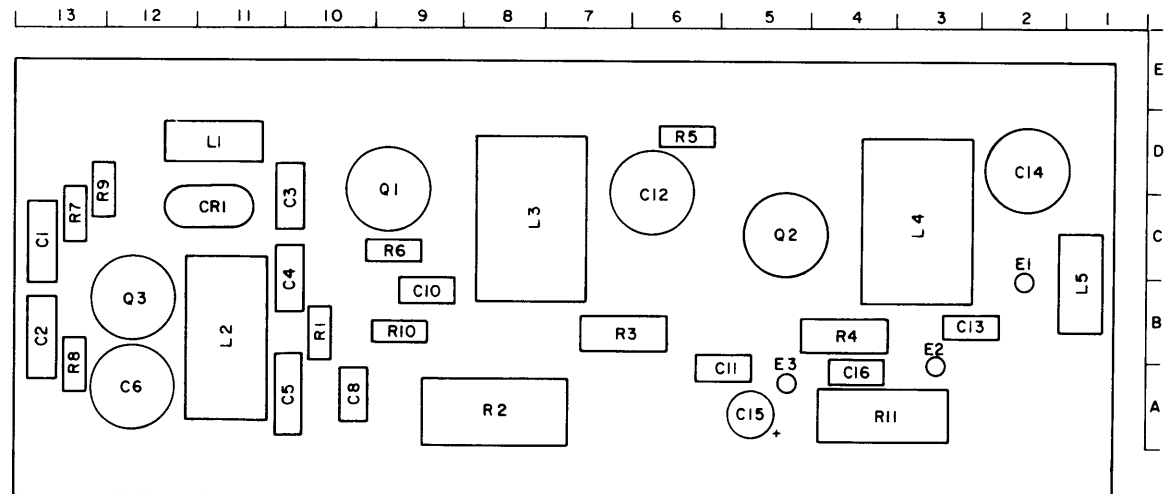
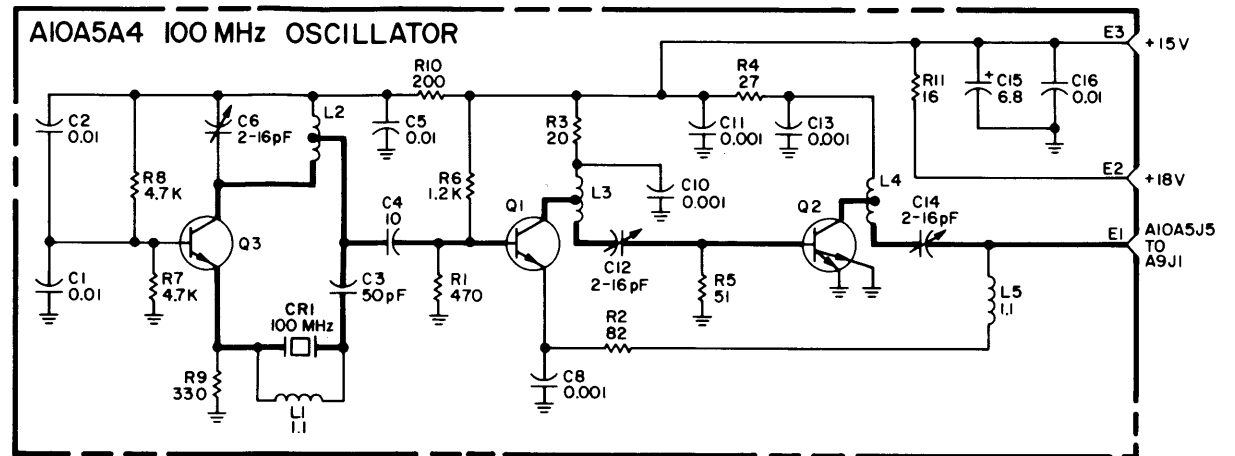
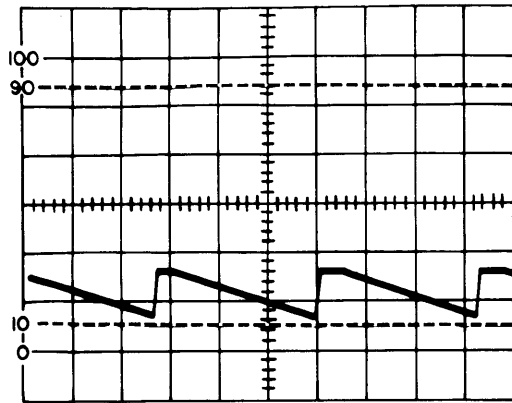
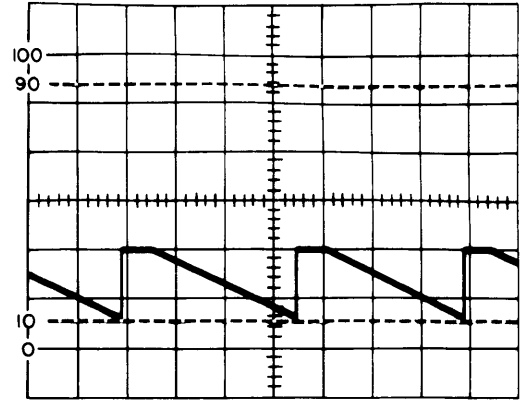


Figure 7-31. 3.5 MHz Oscillator 1A10A5A2, Comb Generator 1A10A5A3, and 100 MHz Oscillator 1A10A5A4, Maintenance Schematic Diagrams



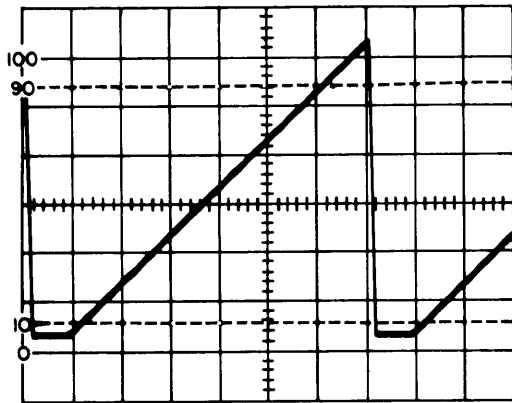
J18 PIN 15 - VCO TUNE  
1 V/cm  
10 ms/cm

A



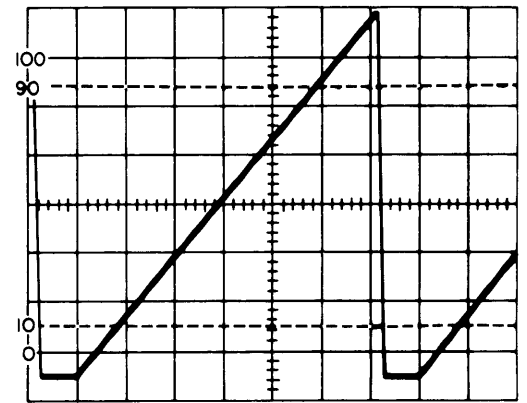
J18 PIN 5 - YIG FILTER  
1 V/cm  
5 ms/cm  
200 MHz/cm

B



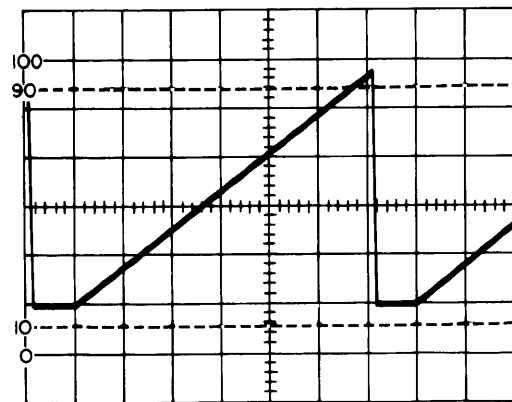
S3-1-TP2  
5 V/cm  
5 ms/cm  
3 MHz/cm

C



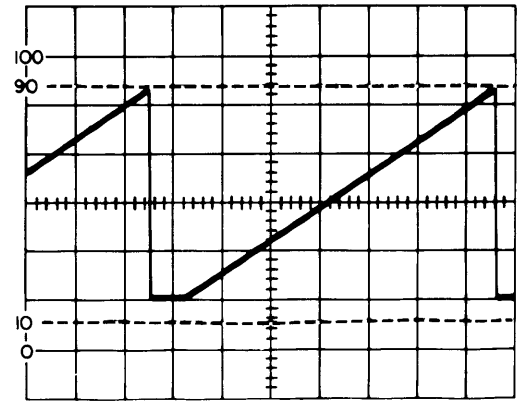
S3-1-TP3  
2 V/cm  
5 ms/cm  
3 MHz/cm

D



S3-1-TP5  
2 V/cm  
5 ms/cm  
3 MHz/cm

E



J1 PIN B - VCO GAIN  
2 V/cm  
5 ms/cm  
SCAN WIDTH SET TO 200 MHz

F

- NOTES  
UNLESS OTHERWISE SPECIFIED:  
1. RESISTOR VALUES ARE IN OHMS  
2. CAPACITOR VALUES ARE IN UF  
3. INDUCTOR VALUES ARE IN UH  
4. THESE PARTS USED ON YIG DRIVER HEATSINK ASSY 1A10A32.

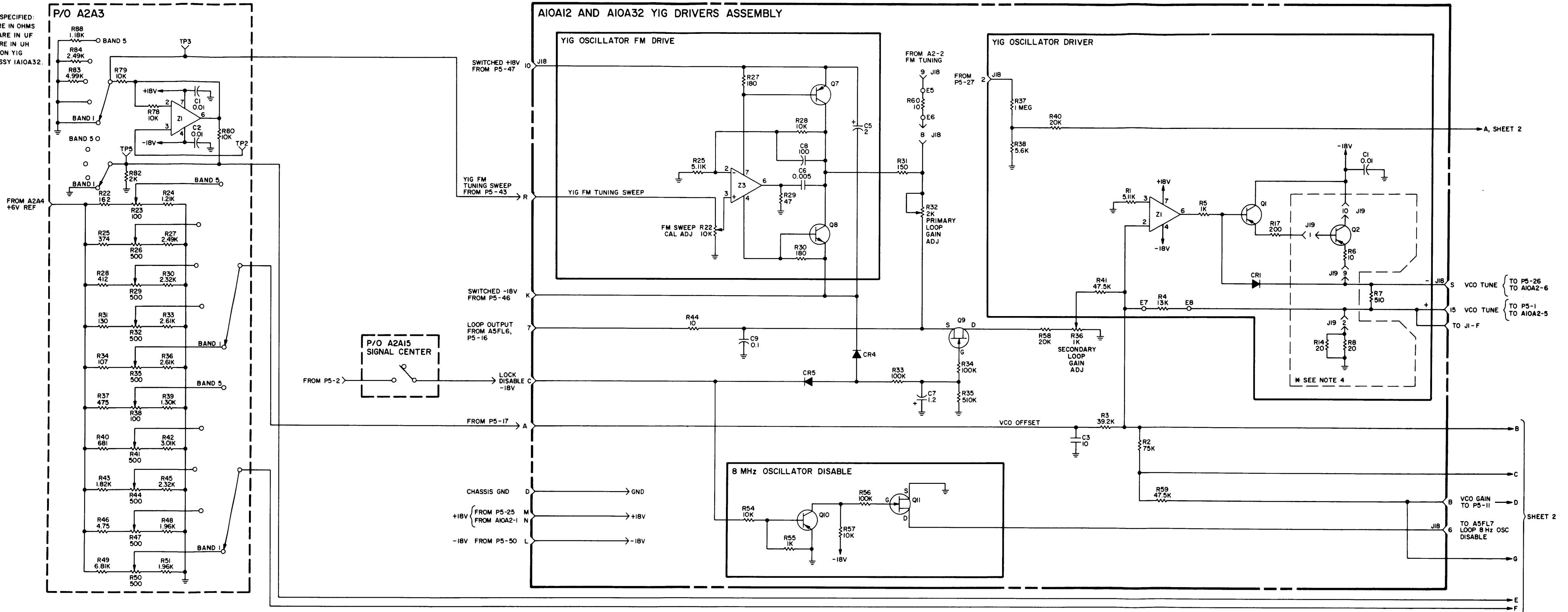
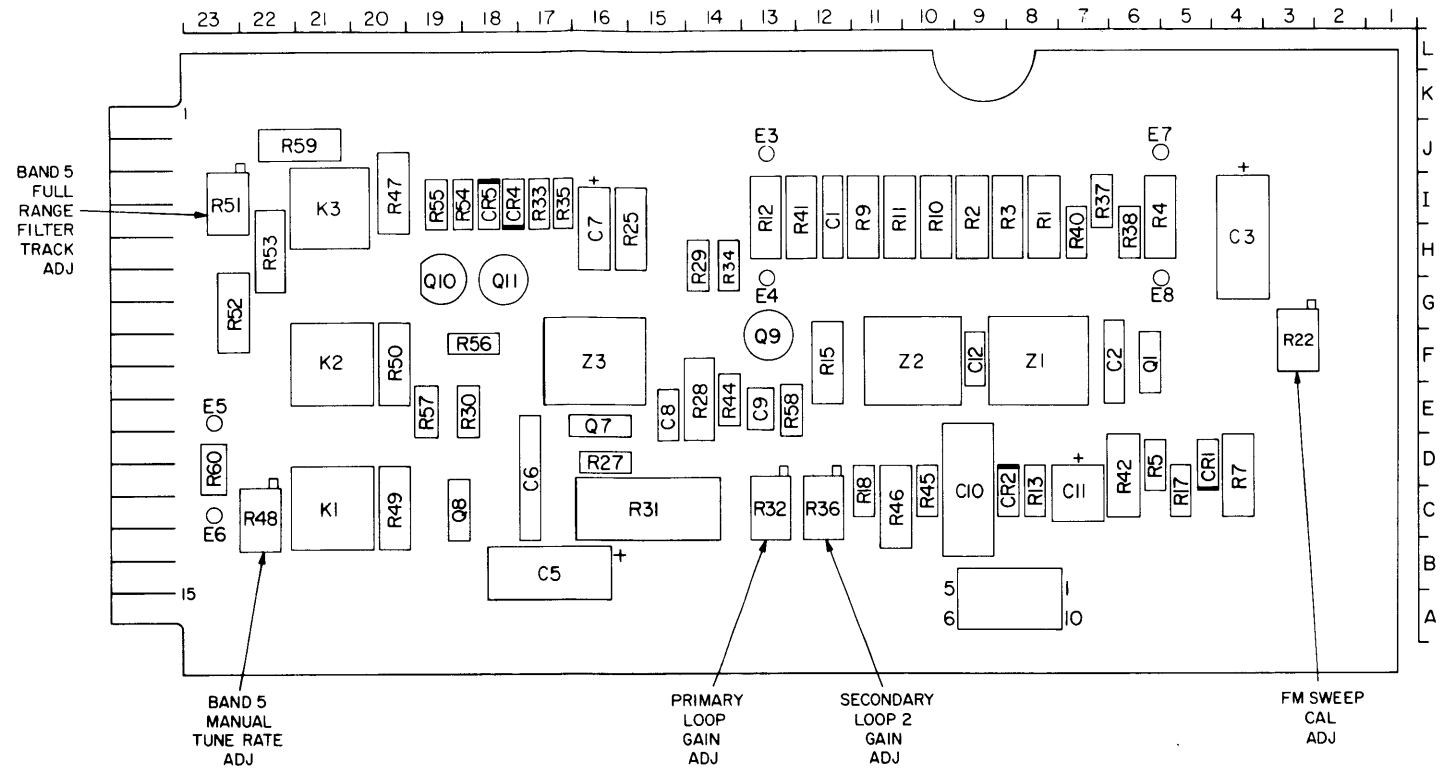


Figure 7-32. Yig Driver Printed Circuit Board 1A10A12 and Yig Driver Heat Sink 1A10A32, Maintenance Schematic Diagram (Sheet 1 of 2)



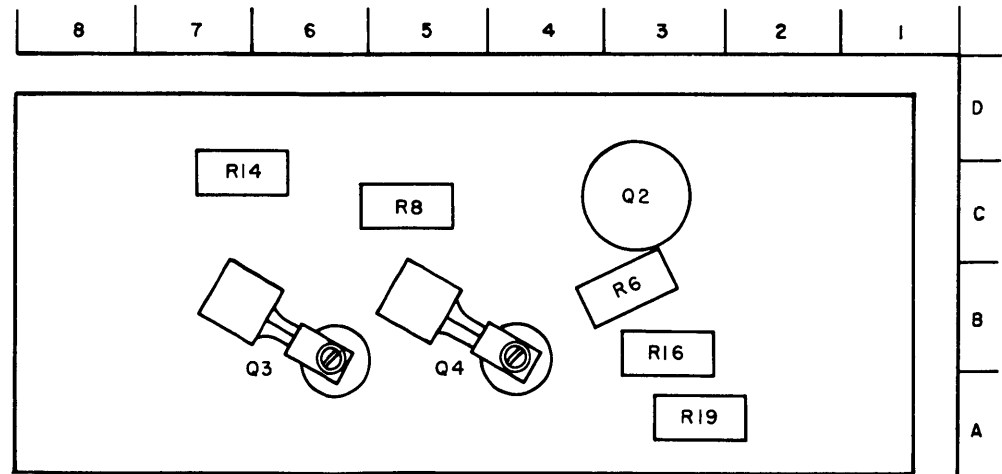
## PARTS LOCATION INDEX, YIG DRIVER 1A10A12

<u>REFERENCE DESIGNATION</u>	<u>ZONE</u>	<u>REFERENCE DESIGNATION</u>	<u>ZONE</u>	<u>REFERENCE DESIGNATION</u>	<u>ZONE</u>
C1	12I	Q5	NOT USED	R29	14H
C2	6F	Q6	NOT USED	R30	19E
C3	4H	Q7	16E	R31	15C
C4	NOT USED	Q8	19D	R32	13C
C5	17B	Q9	13F	R33	17I
C6	17D	Q10	19H	R34	14H
C7	16I	Q11	18H	R35	17I
C8	15E			R36	12C
C9	13E	R1	8I	R37	6I
C10	9D	R2	9I	R38	6I
C11	7D	R3	8I	R39	NOT USED
C12	9F	R4	5I	R40	7I
		R5	5D	R41	12I
CR1	5D	R6	NOT USED	R42	6D
CR2	8D	R7	4D	R43	NOT USED
CR3	NOT USED	R8	NOT USED	R44	14E
CR4	18I	R9	11I	R45	10D
CR5	18I	R10	10I	R46	11D
		R11	11I	R47	20J
E1	NOT USED	R12	13I	R48	22C
E2	NOT USED	R13	8D	R49	20C
E3	13J	R14	NOT USED	R50	20F
E4	13G	R15	12F	R51	23I
E5	23E	R16	NOT USED	R52	23G
E6	23C	R17	5C	R53	22H
E7	5J	R18	11C	R54	18I
E8	5G	R19	NOT USED	R55	19I
		R20	NOT USED	R56	18F
K1	21C	R21	NOT USED	R57	19E
K2	21F	R22	3F	R58	13E
K3	21I	R23	NOT USED	R59	22J
		R24	NOT USED	R60	23D
Q1	6F	R25	16I		
Q2	NOT USED	R26	NOT USED	Z1	8F
Q3	NOT USED	R27	16D	Z2	11F
Q4	NOT USED	R28	14E	Z3	16F



**PARTS LOCATION INDEX, YIG DRIVER  
HEAT SINK 1A10A32**

<u>REFERENCE DESIGNATION</u>	<u>ZONE</u>
Q2	3C
Q3	6B
Q4	5B
R6	3B
R8	5C
R14	7D
R16	3B
R19	3A



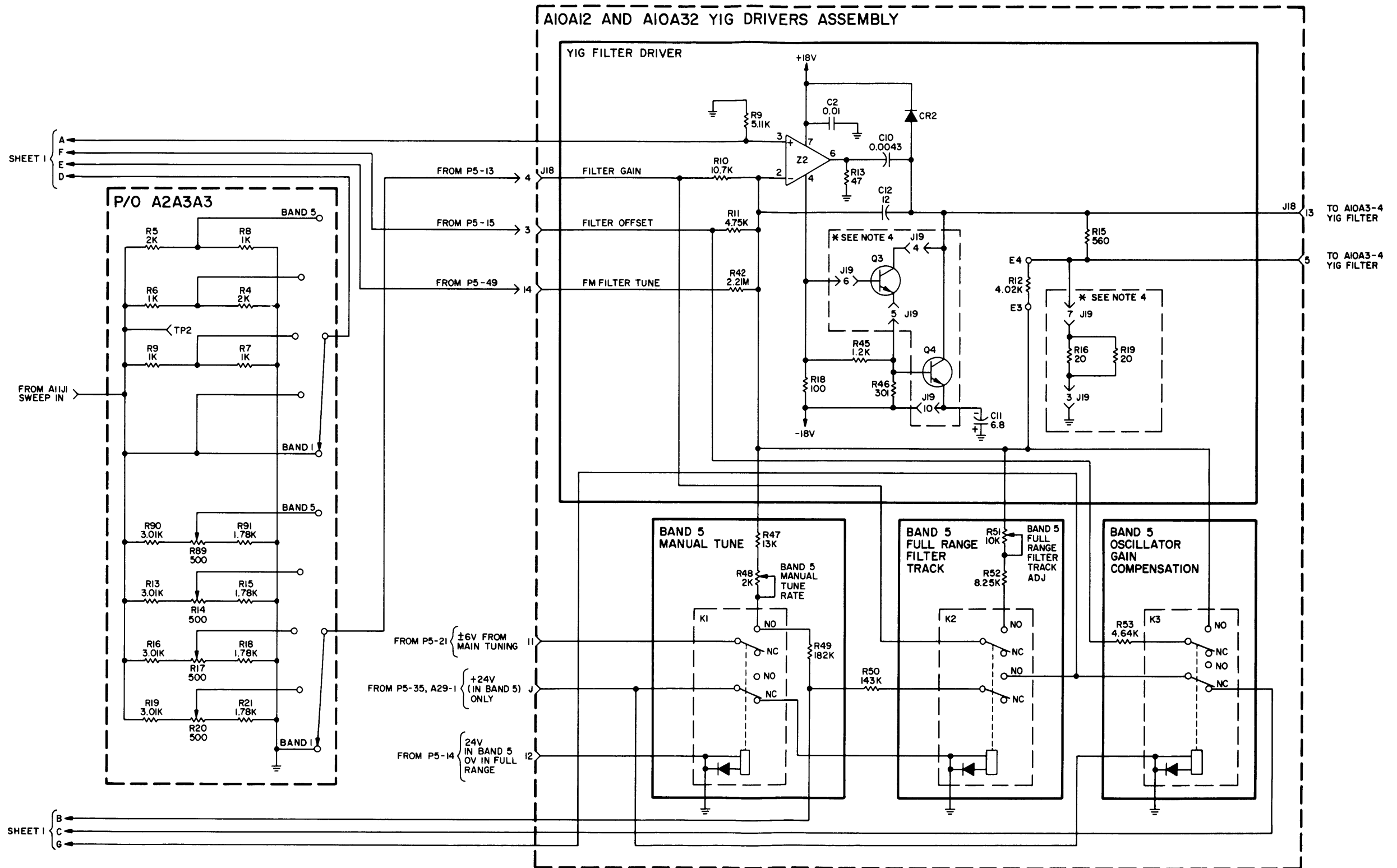
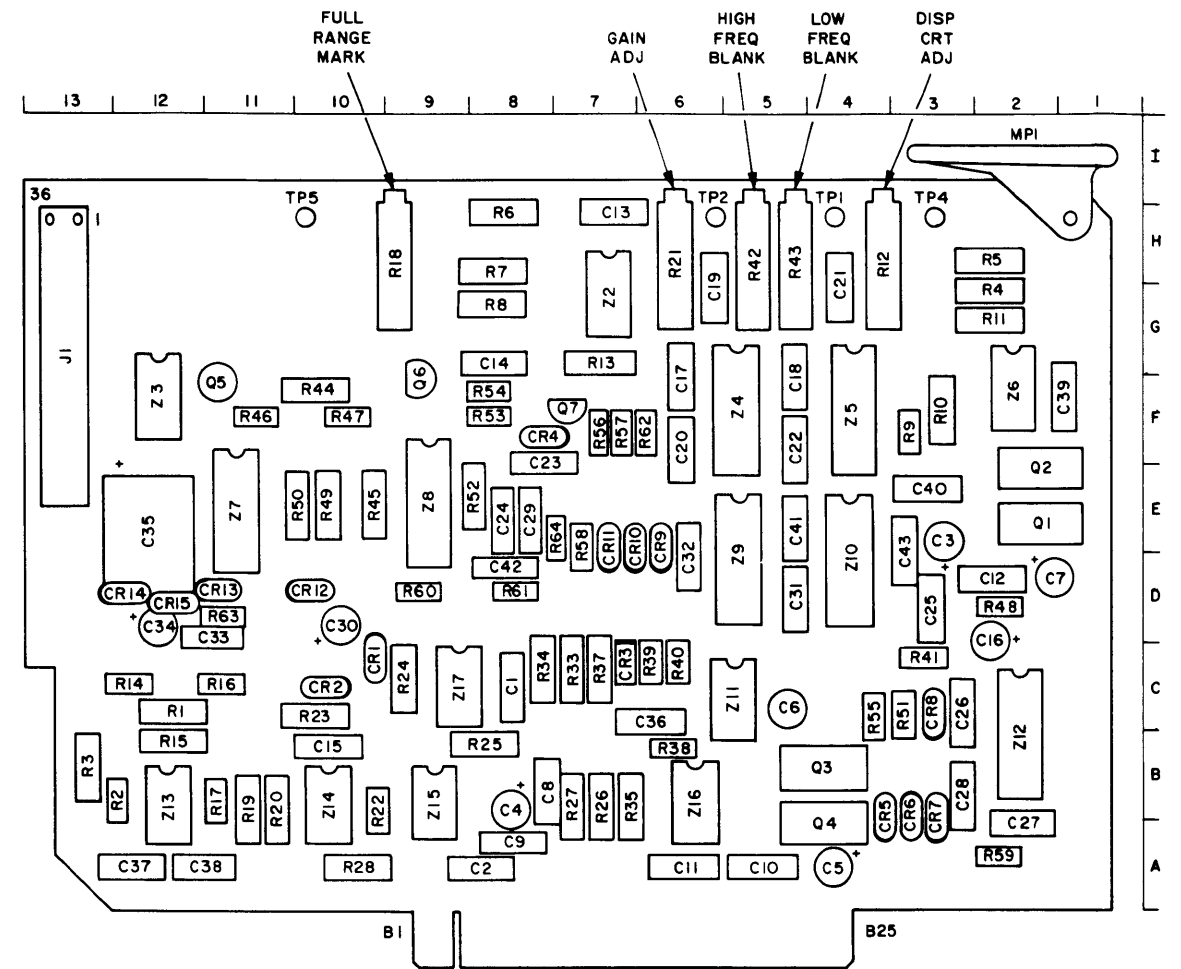


Figure 7-32. Yig Driver Printed Circuit Board  
 1A10A12 and Yig Driver Heat Sink  
 1A10A32, Maintenance Schematic  
 Diagram (Sheet 2 of 2)

PARTS LOCATION INDEX, SWEEP GENERATOR 1A11

REFERENCE DESIGNATION	ZONE	REFERENCE DESIGNATION	ZONE	REFERENCE DESIGNATION	ZONE	REFERENCE DESIGNATION	ZONE
C1	8C	C41	5E	R10	3F	R50	10E
C2	9A	C42	8D	R11	2G	R51	3C
C3	3E	C43	3E	R12	4H	R52	8E
C4	8B			R13	7G	R53	8F
C5	5A	CR1	10C	R14	12C	R54	8F
C6	5C	CR2	10C	R15	12B	R55	4C
C7	5C	CR3	7C	R16	11C	R56	7F
C8	8B	CR4	8F	R17	12B	R57	7F
C9	8A	CR5	4B	R18	9H	R58	7E
C10	5A	CR6	4B	R19	11B	R59	2A
C11	6A	CR7	3B	R20	11B	R60	9D
C12	2D	CR8	3C	R21	6H	R61	8D
C13	7H	CR9	6E	R22	10B	R62	6F
C14	8G	CR10	7E	R23	10C	R63	11D
C15	10B	CR11	7E	R24	9C	R64	8E
C16	2D	CR12	10D	R25	8B	TP1	4I
C17	6G	CR13	12D	R26	7B	TP2	6I
C18	6F	CR14	13D	R27	7B	TP3	NOT USED
C19	6H	CR15	12D	R28	10A	TP4	3I
C20	6F			R29	NOT USED	TP5	10I
C21	4H	J1	13G	R30	NOT USED		
C22	5F	MP1	2I	R31	NOT USED		
C23	8E			R32	NOT USED	Z1	NOT USED
C24	8E	Q1	2E	R33	7C	Z2	7H
C25	3D	Q2	2E	R34	8C	Z3	12F
C26	3C	Q3	4B	R35	7B	Z4	5F
C27	2B	Q4	4B	R36	NOT USED	Z5	4F
C28	3B	Q5	11F	R37	7C	Z6	2F
C29	8E	Q6	9G	R38	6B	Z7	11E
C30	10D	Q7	7F	R39	7C	Z8	9E
C31	5D			R40	6C	Z9	5D
C32	6E	R1	12C	R41	3C	Z10	4D
C33	12D	R2	12B	R42	5H	Z11	6C
C34	12D	R3	13B	R43	5H	Z12	2B
C35	12E	R4	2G	R44	10F	Z13	12B
C36	6C	R5	2H	R45	10E	Z14	10B
C37	19A	R6	8H	R46	11F	Z15	9B
C38	12A	R7	8H	R47	10F	Z16	6B
C39	1F	R8	8G	R48	2D	Z17	9C
C40	3E	R9	3F	R49	10E		



NOTES  
 UNLESS OTHERWISE SPECIFIED:  
 1. RESISTOR VALUES ARE IN OHMS  
 2. CAPACITOR VALUES ARE IN UF  
 3. INDUCTOR VALUES ARE IN UH

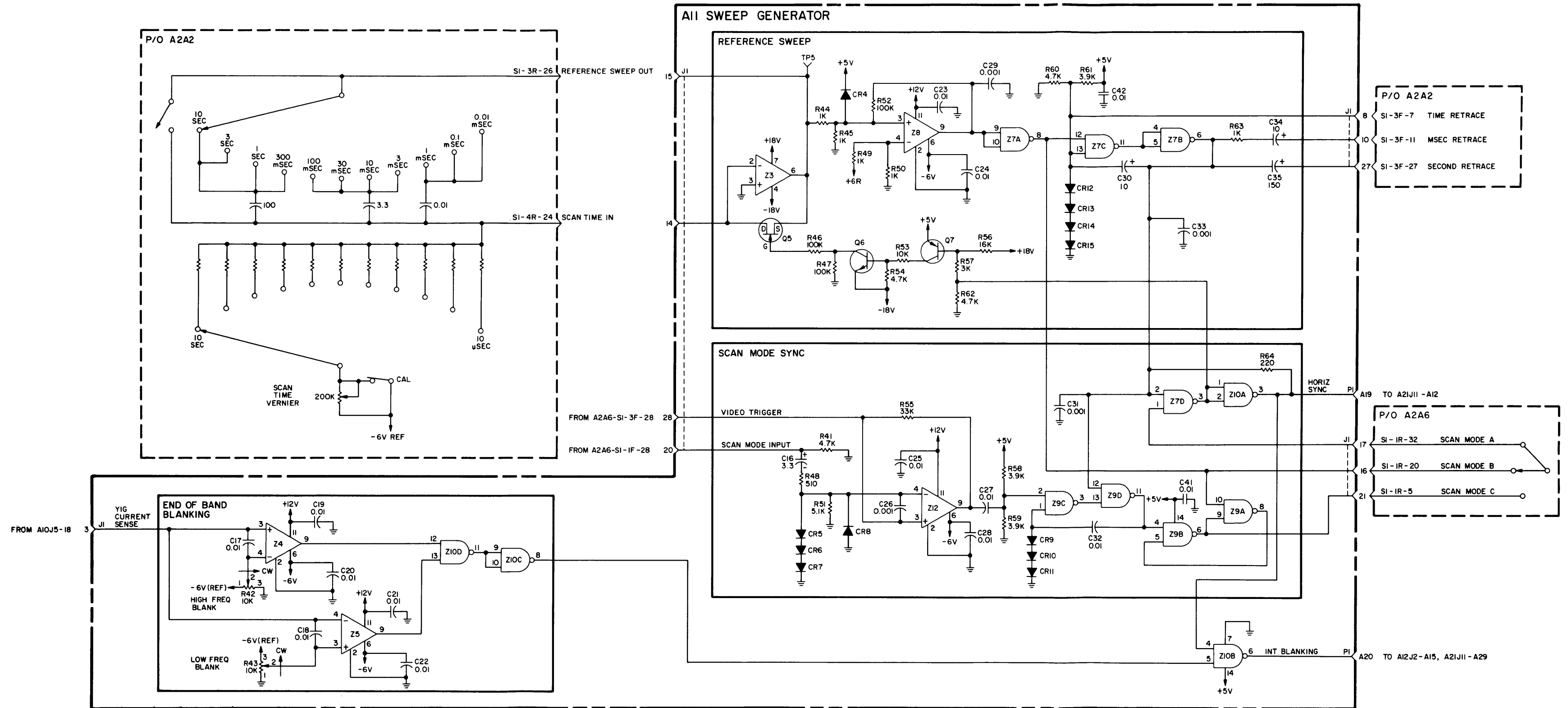
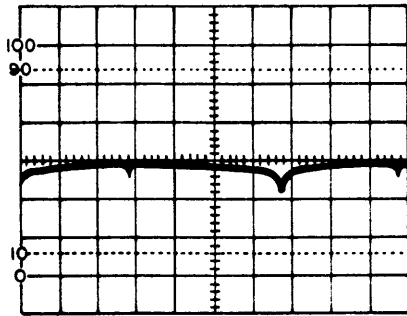
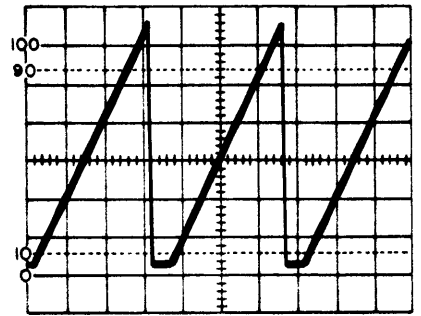


Figure 7-33. Sweep Generator Printed Circuit Board 1A11, Maintenance Schematic Diagram (Sheet 1 of 2)



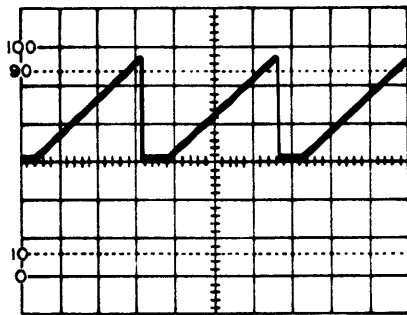
AIIJI-9

<u>SCOPE</u>	<u>ANALYZER</u>
0.1 V/cm	FULL RANGE
5 ms/cm	ON
AC COUPLED	



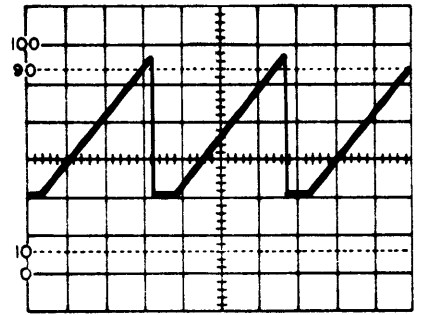
AIITPI

<u>SCOPE</u>	<u>ANALYZER</u>
5 V/cm	3000 MHz
10 ms/cm	3 ms/DIV
	10 MHz/DIV



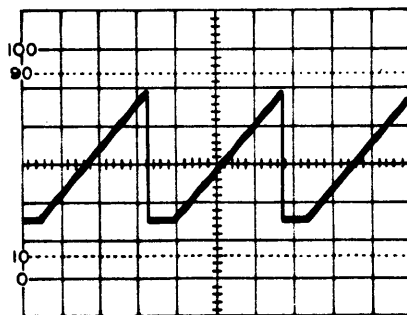
AIITP2

<u>SCOPE</u>	<u>ANALYZER</u>
0.5 V/cm	3000 MHz
10 ms/cm	3 ms/DIV
	10 MHz/DIV



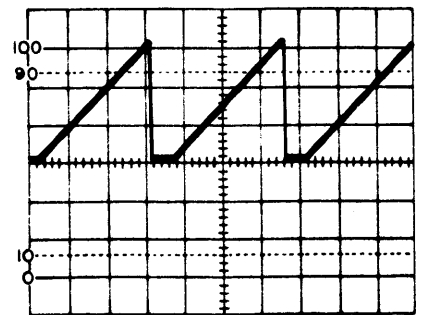
AIITP3

<u>SCOPE</u>	<u>ANALYZER</u>
2 V/cm	3000 MHz
10 us/cm	3 ms/DIV
	300 KHz/DIV



AIITP4

<u>SCOPE</u>	<u>ANALYZER</u>
0.1 V/cm	3000 MHz
10 ms/cm	3 ms/DIV
	10 MHz/DIV



AIITP5

<u>SCOPE</u>	<u>ANALYZER</u>
2 V/cm	3000 MHz
10 ms/cm	3 ms/DIV
	100 MHz/DIV

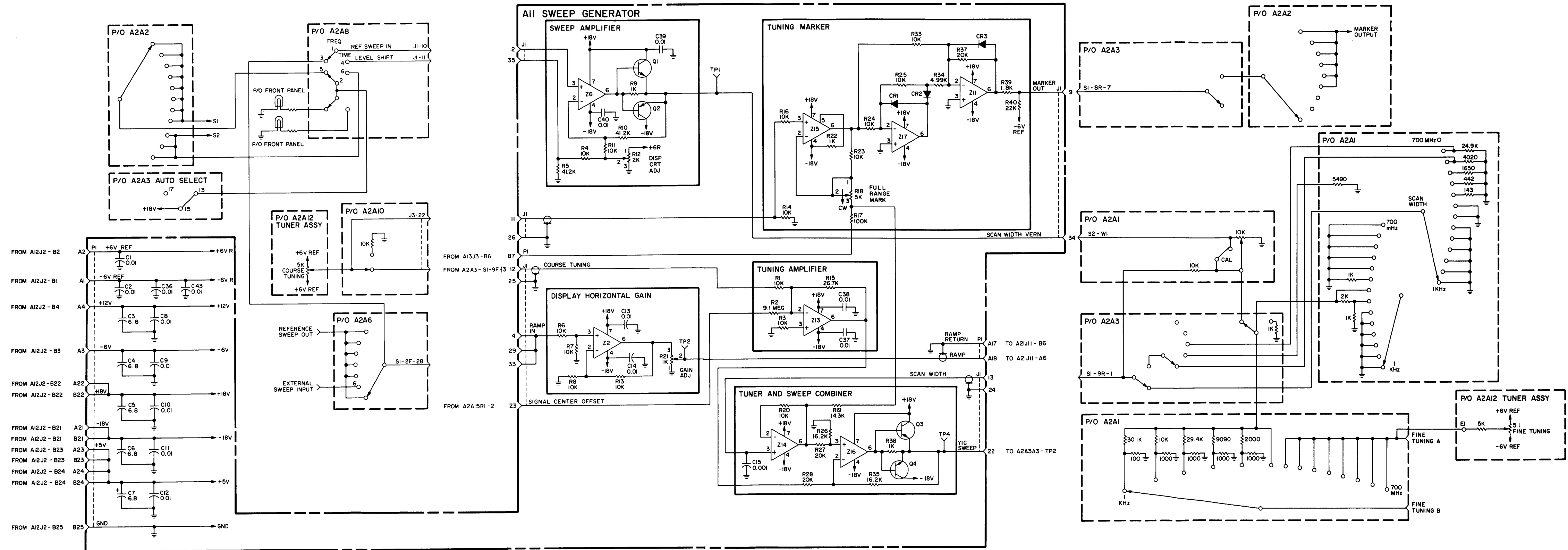
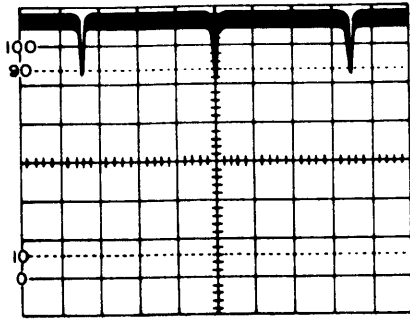


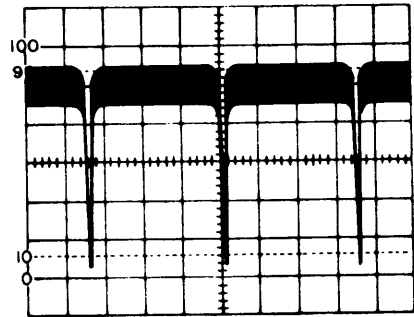
Figure 7-33. Sweep Generator Printed Circuit Board 1A11, Maintenance Schematic Diagram (Sheet 2 of 2)



A12TP1

SCOPE  
1 V/cm  
10 ms/cm

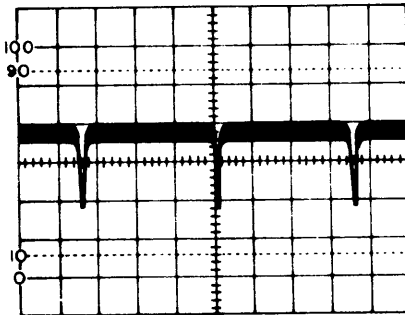
ANALYZER  
3000 MHz  
10 dB/DIV  
10 MHz/DIV  
3 ms/DIV  
RF/IF ATTEN 0 dB  
AUTO ALL



A12TP2

SCOPE  
0.2 V/cm  
10 ms/cm

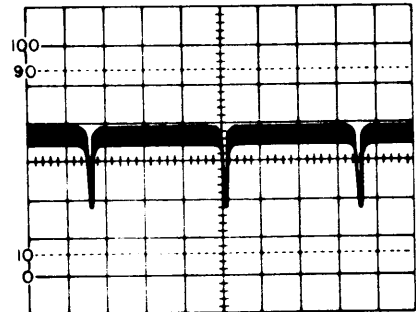
ANALYZER  
3000 MHz  
10 dB  
10 MHz/DIV  
3 us/DIV  
RF/IF ATTEN 0 dB  
AUTO ALL  
VIDEO FILTER ON



A12TP2

SCOPE  
0.5 V/cm  
10 ms/cm

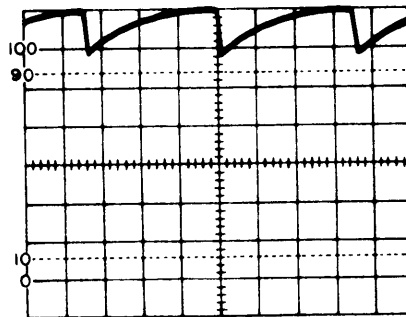
ANALYZER  
3000 MHz  
10 dB  
10 MHz/DIV  
3 ms/DIV  
RF/IF ATTEN 0 dB  
AUTO ALL  
VIDEO FILTER OFF



A12TP3

SCOPE  
0.5 V/cm  
10 ms/cm

ANALYZER  
3000 MHz  
10 dB  
10 MHz/DIV  
3 us/DIV  
RF/IF ATTEN 0 dB  
AUTO ALL  
VIDEO FILTER OFF



A12TP3

SCOPE  
0.1 V/cm  
10 ms/cm

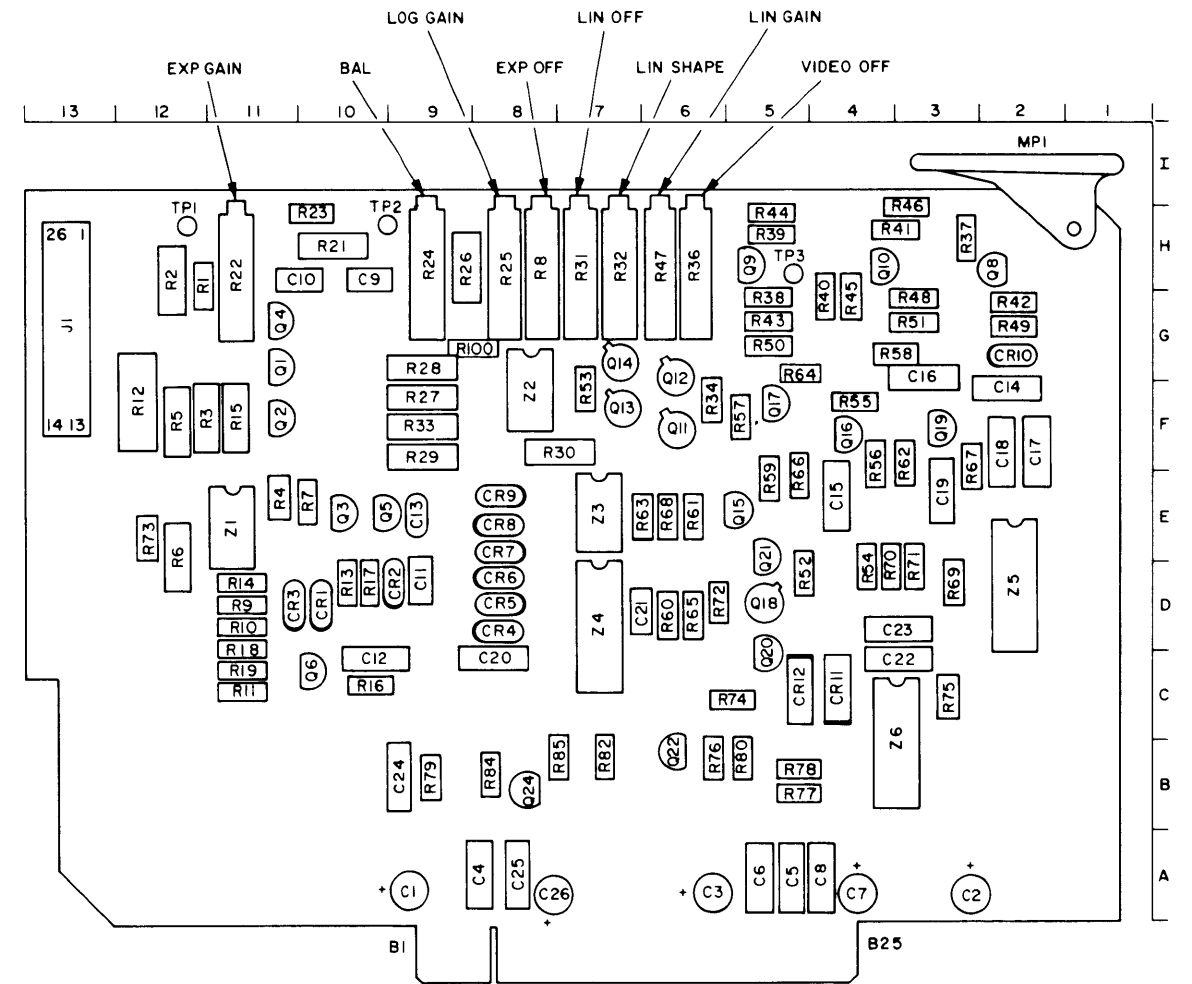
ANALYZER  
3000 MHz  
10 dB  
10 MHz/DIV  
3 ms/DIV  
RF/IF ATTEN 0 dB  
AUTO ALL  
VIDEO FILTER ON



PARTS LOCATION INDEX, PROCESSED VIDEO 1A12

REFERENCE DESIGNATION	ZONE	REFERENCE DESIGNATION	ZONE	REFERENCE DESIGNATION	ZONE	REFERENCE DESIGNATION	ZONE
C1	10A	Q10	4H	R36	6H	R89	NOT USED
C2	3A	Q11	6F	R37	3H	R100	9G
C3	6A	Q12	6G	R38	5G		
C4	9A	Q13	7F	R39	5H	TP1	12H
C5	5A	Q14	7G	R40	4G	TP2	10H
C6	5A	Q15	6E	R41	3H	TP3	5H
C7	4A	Q16	4F	R42	2G		
C8	4A	Q17	5F	R43	5G	Z1	11E
C9	10H	Q18	5D	R44	5H	Z2	8F
C10	10H	Q19	3F	R45	4G	Z3	7E
C11	9D	Q20	5C	R46	3H	Z4	7D
C12	10C	Q21	5E	R47	6H	Z5	2D
C13	9E	Q22	6B	R48	3G	Z6	3C
C14	2F	Q23	NOT USED	R49	2G		
C15	4E	Q24	8B	R50	5G		
C16	3G			R51	3G		
C17	2F	R1	12H	R52	5D		
C18	2F	R2	12H	R53	7F		
C19	3E	R3	12F	R54	4D		
C20	8D	R4	11E	R55	4F		
C21	7D	R5	12F	R56	4F		
C22	4C	R6	12E	R57	6F		
C23	4D	R7	10E	R58	3G		
C24	9B	R8	8H	R59	5E		
C25	8A	R9	11D	R60	6D		
C26	8A	R10	11D	R61	6E		
		R11	11C	R62	3F		
CR1	10D	R12	12F	R63	7E		
CR2	10D	R13	10D	R64	5G		
CR3	11D	R14	11D	R65	6D		
CR4	8D	R15	11F	R66	5F		
CR5	8D	R16	10C	R67	3F		
CR6	8D	R17	10D	R68	6E		
CR7	8E	R18	11D	R69	3D		
CR8	8E	R19	11C	R70	4D		
CR9	8E	R20	NOT USED	R71	3D		
CR10	2G	R21	10H	R72	6D		
CR11	4C	R22	11H	R73	12E		
CR12	5C	R23	10H	R74	6C		
		R24	9H	R75	3C		
J1	13G	R25	8H	R76	6B		
		R26	9H	R77	5B		
MP1	2I	R27	9F	R78	5B		
		R28	10G	R79	9B		
Q1	11G	R29	9F	R80	5B		
Q2	11F	R30	7F	R81	NOT USED		
Q3	10E	R31	7H	R82	7B		
Q4	11G	R32	7H	R83	NOT USED		
Q5	10E	R33	9F	R84	8B		
Q6	10C	R34	6F	R85	8N		
Q7	NOT USED	R35	NOT USED	R86	NOT USED		
Q8	2H			R87	NOT USED		
Q9	5H			R88	NOT USED		

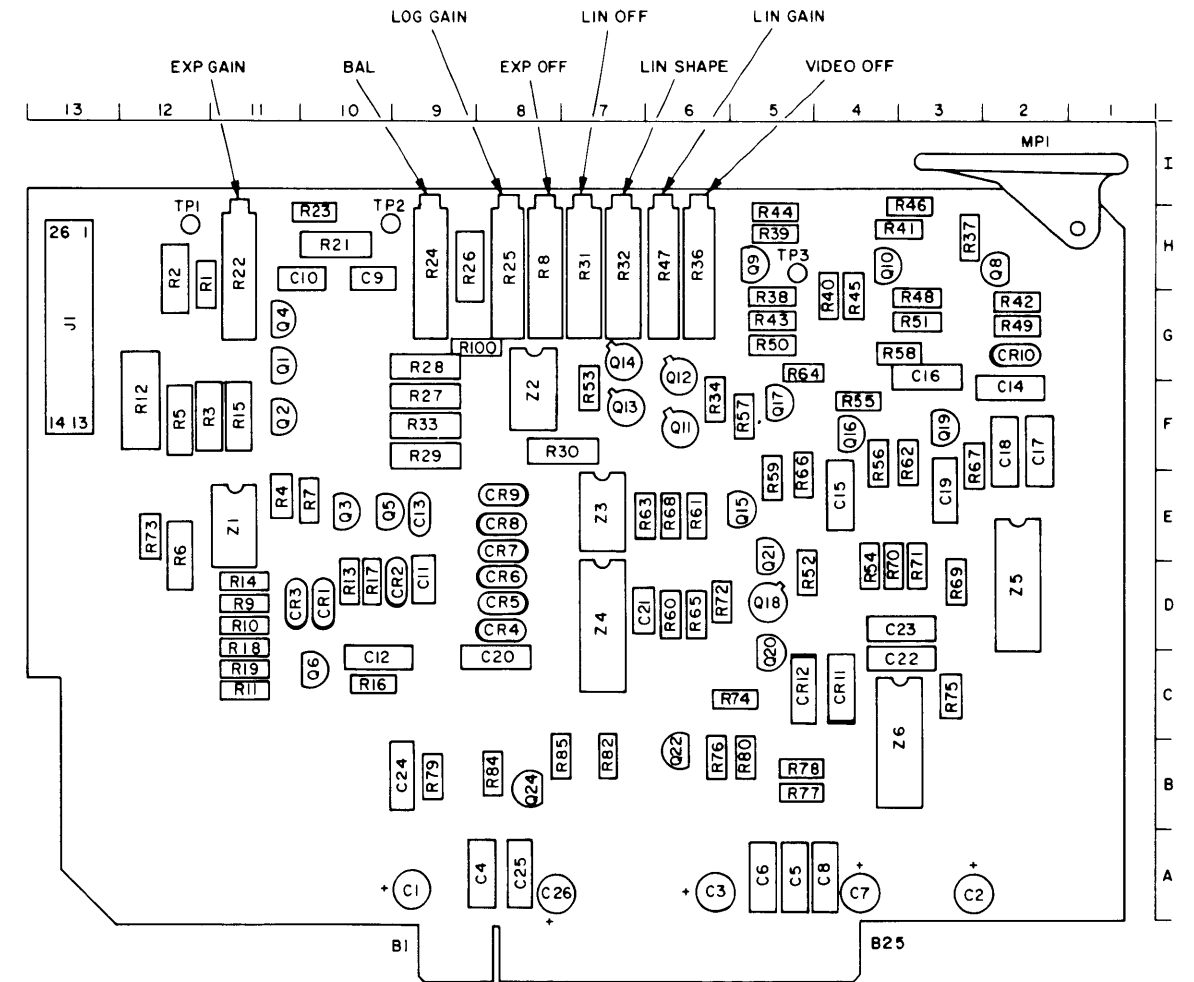
NOTES  
 UNLESS OTHERWISE SPECIFIED:  
 1. RESISTOR VALUES ARE IN OHMS  
 2. CAPACITOR VALUES ARE IN UF  
 3. INDUCTOR VALUES ARE IN UH



PARTS LOCATION INDEX, PROCESSED VIDEO 1A12

REFERENCE DESIGNATION	ZONE	REFERENCE DESIGNATION	ZONE	REFERENCE DESIGNATION	ZONE	REFERENCE DESIGNATION	ZONE
C1	10A	Q10	4H	R36	6H	R89	NOT USED
C2	3A	Q11	6F	R37	3H	R100	9G
C3	6A	Q12	6G	R38	5G		
C4	9A	Q13	7F	R39	5H	TP1	12H
C5	5A	Q14	7G	R40	4G	TP2	10H
C6	5A	Q15	6E	R41	3H	TP3	5H
C7	4A	Q16	4F	R42	2G		
C8	4A	Q17	5F	R43	5G	Z1	11E
C9	10H	Q18	5D	R44	5H	Z2	8F
C10	10H	Q19	3F	R45	4G	Z3	7E
C11	9D	Q20	5C	R46	3H	Z4	7D
C12	10C	Q21	5E	R47	6H	Z5	2D
C13	9E	Q22	6B	R48	3G	Z6	3C
C14	2F	Q23	NOT USED	R49	2G		
C15	4E	Q24	8B	R50	5G		
C16	3G			R51	3G		
C17	2F	R1	12H	R52	5D		
C18	2F	R2	12H	R53	7F		
C19	3E	R3	12F	R54	4D		
C20	8D	R4	11E	R55	4F		
C21	7D	R5	12F	R56	4F		
C22	4C	R6	12E	R57	6F		
C23	4D	R7	10E	R58	3G		
C24	9B	R8	8H	R59	5E		
C25	8A	R9	11D	R60	6D		
C26	8A	R10	11D	R61	6E		
		R11	11C	R62	3F		
CR1	10D	R12	12F	R63	7E		
CR2	10D	R13	10D	R64	5G		
CR3	11D	R14	11D	R65	6D		
CR4	8D	R15	11F	R66	5F		
CR5	8D	R16	10C	R67	3F		
CR6	8D	R17	10D	R68	6E		
CR7	8E	R18	11D	R69	3D		
CR8	8E	R19	11C	R70	4D		
CR9	8E	R20	NOT USED	R71	3D		
CR10	2G	R21	10H	R72	6D		
CR11	4C	R22	11H	R73	12E		
CR12	5C	R23	10H	R74	6C		
		R24	9H	R75	3C		
J1	13G	R25	8H	R76	6B		
		R26	9H	R77	5B		
MP1	2I	R27	9F	R78	5B		
		R28	10G	R79	9B		
Q1	11G	R29	9F	R80	5B		
Q2	11F	R30	7F	R81	NOT USED		
Q3	10E	R31	7H	R82	7B		
Q4	11G	R32	7H	R83	NOT USED		
Q5	10E	R33	9F	R84	8B		
Q6	10C	R34	6F	R85	8N		
Q7	NOT USED	R35	NOT USED	R86	NOT USED		
Q8	2H			R87	NOT USED		
Q9	5H			R88	NOT USED		

NOTES  
UNLESS OTHERWISE SPECIFIED:  
1. RESISTOR VALUES ARE IN OHMS  
2. CAPACITOR VALUES ARE IN UF  
3. INDUCTOR VALUES ARE IN UH



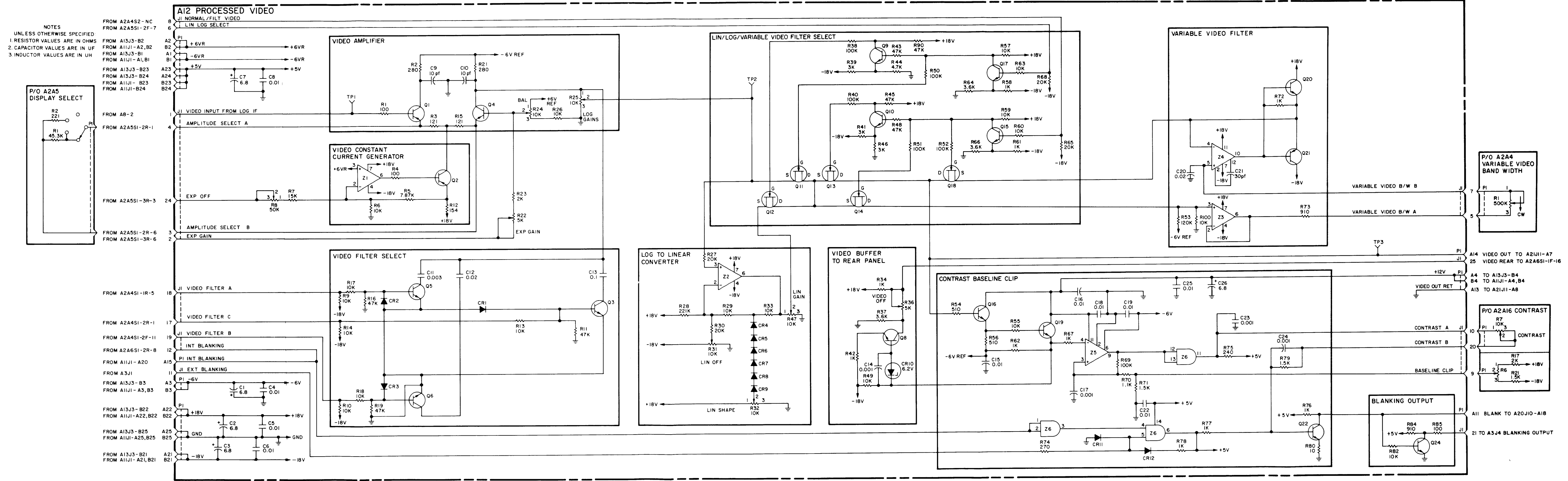
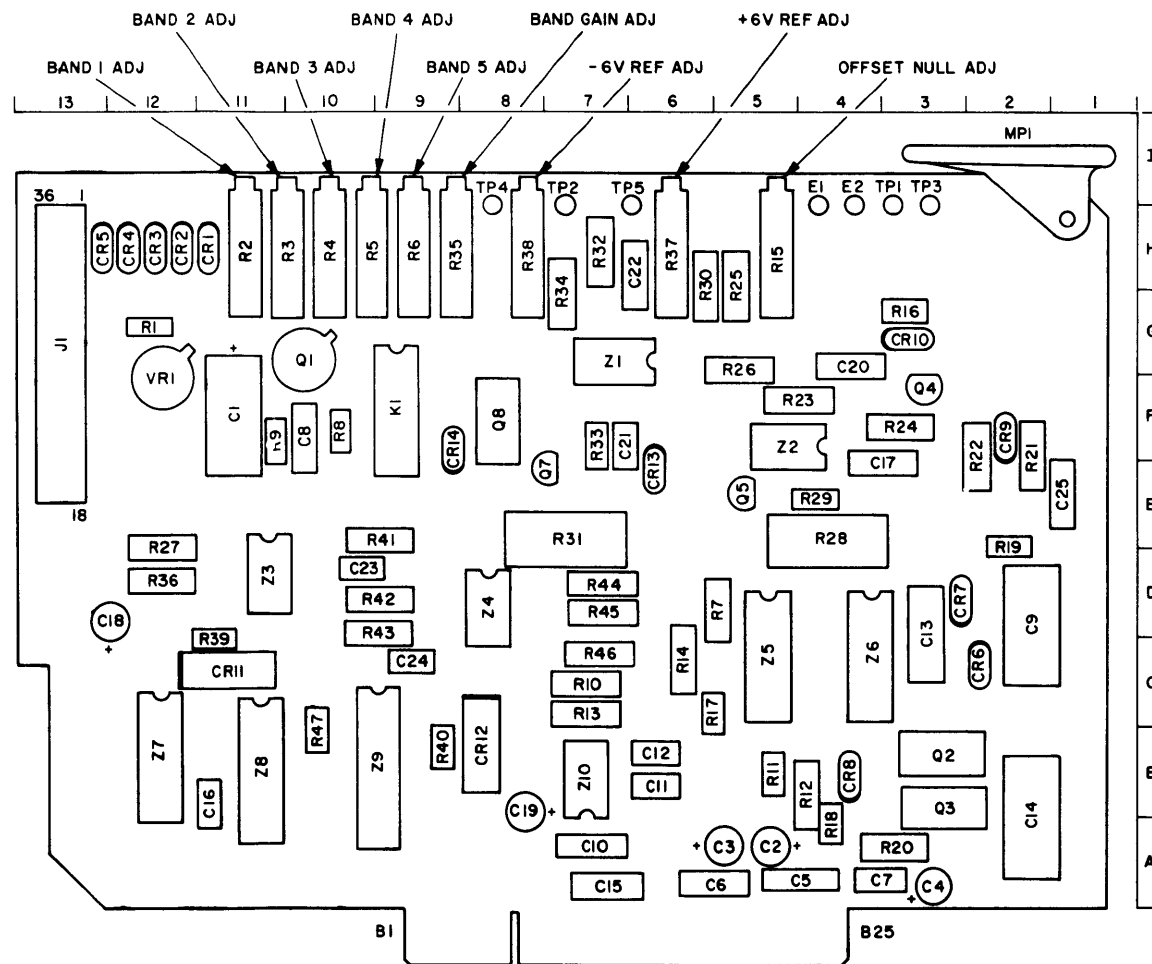


Figure 7-34. Processed Video Printed Circuit Board IA12, Maintenance Schematic Diagram

## PARTS LOCATION INDEX, REGULATOR BIAS 1A13

<u>REFERENCE DESIGNATION</u>	<u>ZONE</u>	<u>REFERENCE DESIGNATION</u>	<u>ZONE</u>	<u>REFERENCE DESIGNATION</u>	<u>ZONE</u>
C1	11F	E2	4I	R28	4E
C2	5A			R29	4E
C3	5A	K1	9F	R30	6H
C4	3A			R31	7E
C5	5A	MP1	2I	R32	7H
C6	5A			R33	7F
C7	3A	Q1	10G	R34	7H
C8	10F	Q2	3B	R35	9H
C9	2D	Q3	3B	R36	12D
C10	7A	Q4	3F	R37	6H
C11	6B	Q5	5E	R38	8H
C12	6B	Q6	NOT USED	R39	11C
C13	3D	Q7	8F	R40	9B
C14	2A	Q8	8F	R41	9E
C15	7A			R42	9D
C16	12B	R1	12G	R43	9D
C17	4E	R2	11H	R44	7D
C18	13D	R3	11H	R45	7D
C19	8B	R4	10H	R46	6C
C20	4G	R5	10H	R47	10B
C21	6F	R6	9H		
C22	6H	R7	6D	TP1	3I
C23	10D	R8	10F	TP2	7I
C24	9C	R9	11F	TP3	3I
C25	1E	R10	7C	TP4	8I
		R11	5B	TP5	6I
CR1	11H	R12	4B		
CR2	12H	R13	7C	VR1	12F
CR3	12H	R14	6C		
CR4	12H	R15	5H	Z1	7G
CR5	13H	R16	3G	Z2	5F
CR6	2C	R17	6C	Z3	11D
CR7	3D	R18	4A	Z4	8D
CR8	4B	R19	2E	Z5	5C
CR9	2F	R20	4A	Z6	4C
CR10	3G	R21	2F	Z7	12B
CR11	11C	R22	2F	Z8	11B
CR12	8B	R23	5F	Z9	10B
CR13	6E	R24	3F	Z10	7B
CR14	9F	R25	5H		
		R26	5G		
E1	4I	R27	12E		



- NOTES  
 UNLESS OTHERWISE SPECIFIED:  
 1. RESISTOR VALUES ARE IN OHMS  
 2. CAPACITOR VALUES ARE IN UF  
 3. INDUCTOR VALUES ARE IN UH

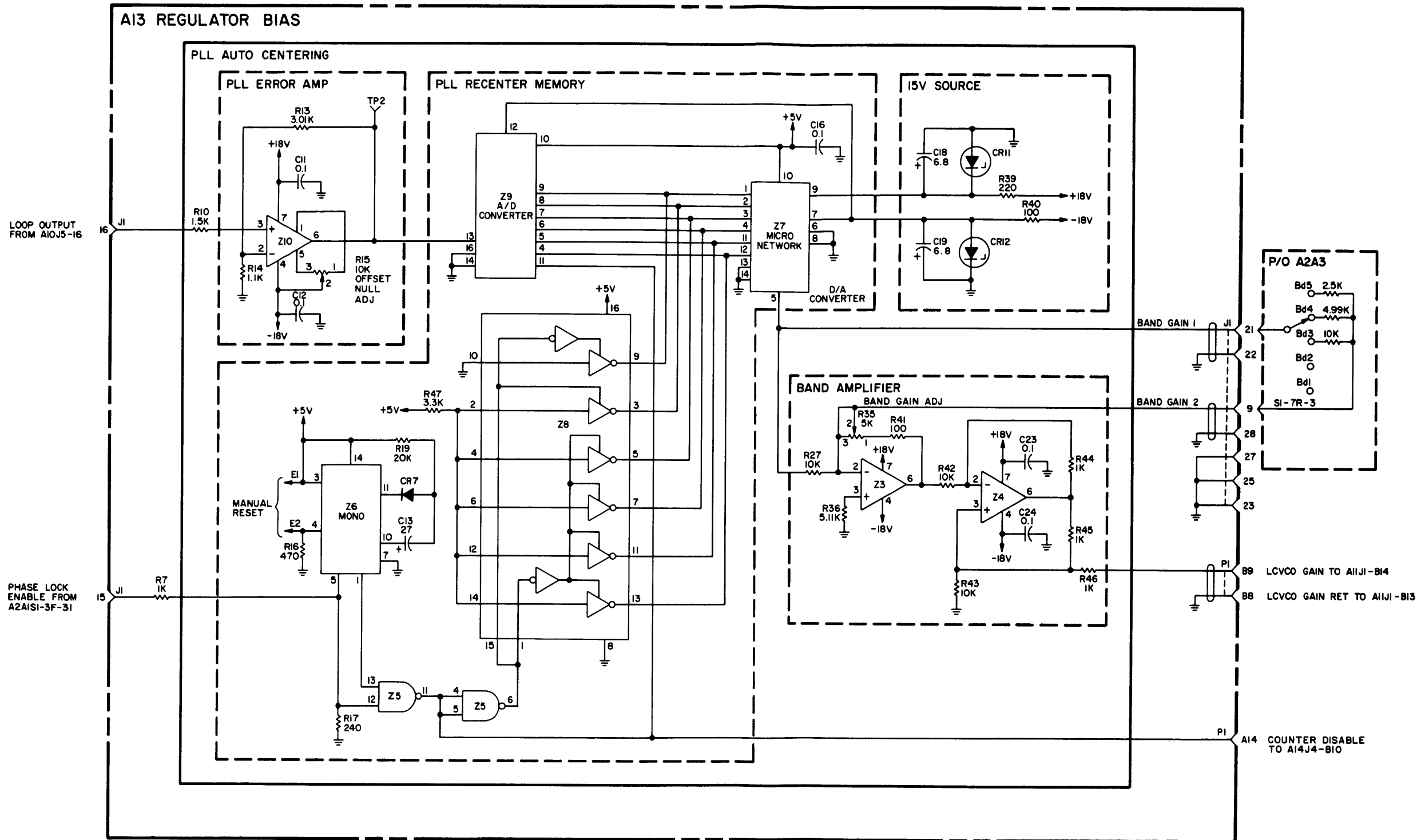


Figure 7-35. Regulator Bias Printed Circuit Board 1A13, Maintenance Schematic Diagram (Sheet 1 of 2)

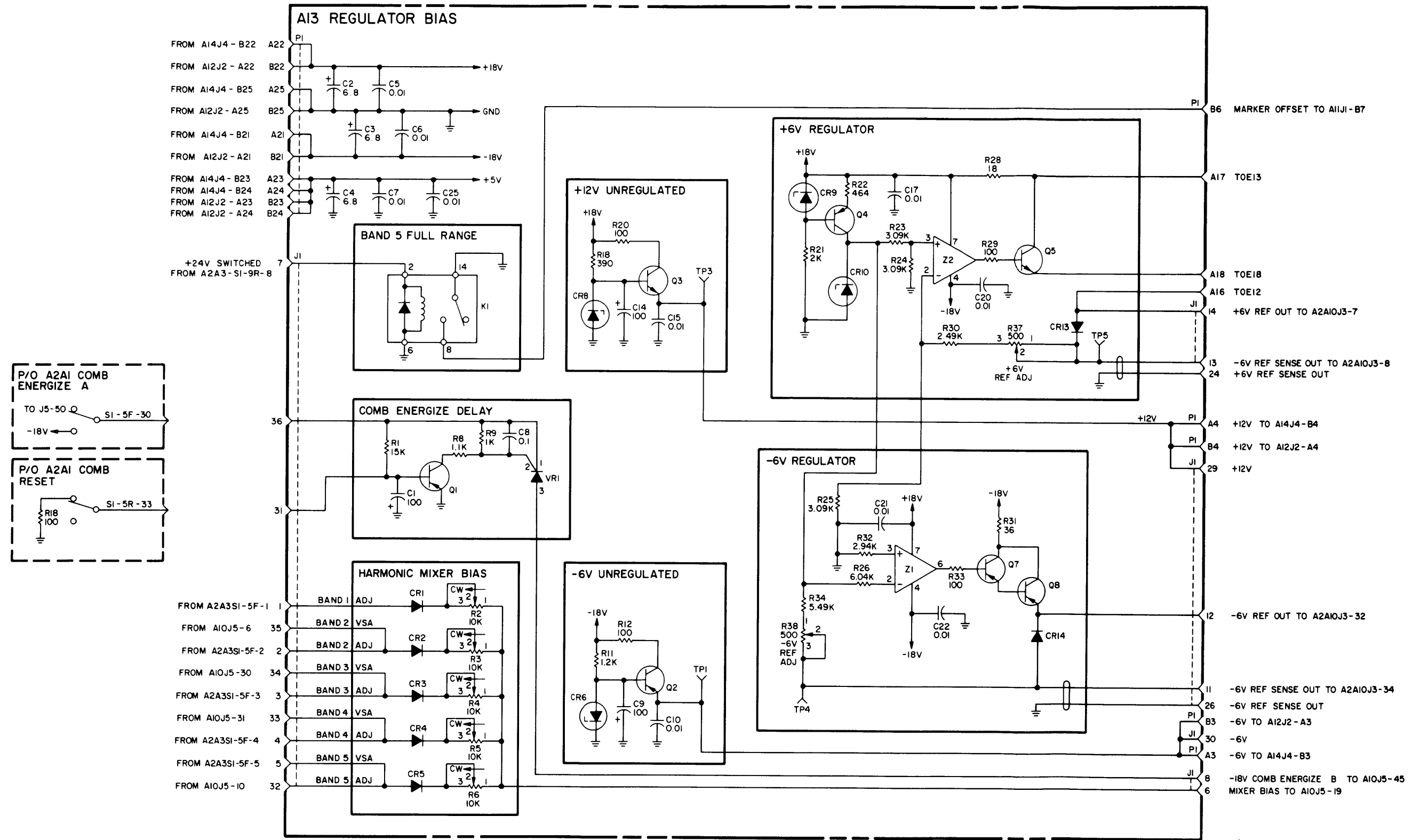
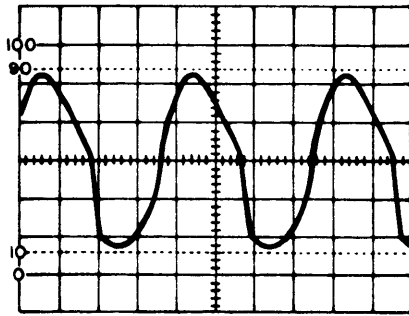


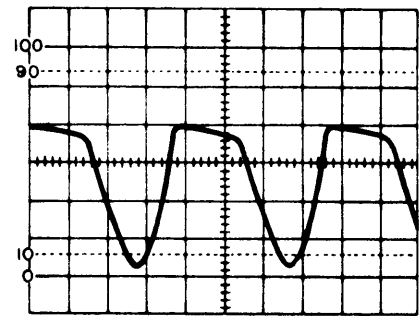
Figure 7-35. Regulator Bias Printed Circuit Board 1A13, Maintenance Schematic Diagram (Sheet 2 of 2)



A14 CRYSTAL 270  $\mu$ H SIDE

**SCOPE**  
1 V/cm  
1  $\mu$ s/cm

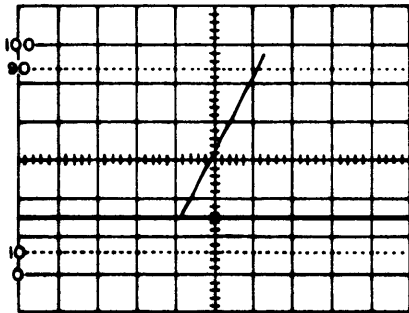
**ANALYZER**  
3000 MHz  
ALL NORMAL



A14 CRYSTAL 33  $K\Omega$  SIDE

**SCOPE**  
1 V/cm  
1  $\mu$ s/cm

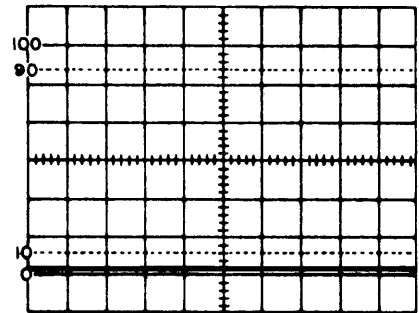
**ANALYZER**  
3000 MHz  
ALL NORMAL



A14TP2, TPI

**SCOPE**  
5 V/cm  
10 ms/cm

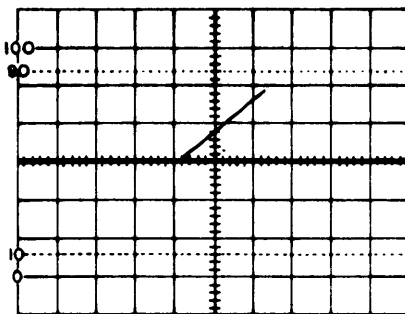
**ANALYZER**  
3000 MHz  
ALL NORMAL



A14Z1-6

**SCOPE**  
5 V/cm  
10 ms/cm

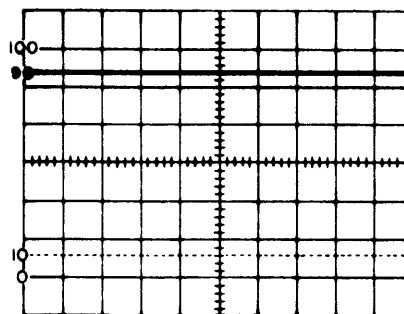
**ANALYZER**  
3000 MHz  
ALL NORMAL



A14Z6-6, TPI

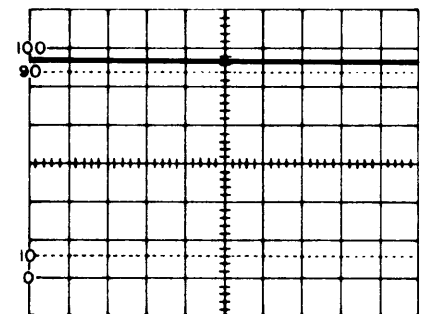
**SCOPE**  
5 V/cm  
10 ms/cm

**ANALYZER**  
3000 MHz  
ALL NORMAL



A14Z11 PIN 3

**SCOPE**  
50 MV/cm  
10 ms/cm



A14Z13 PIN 11

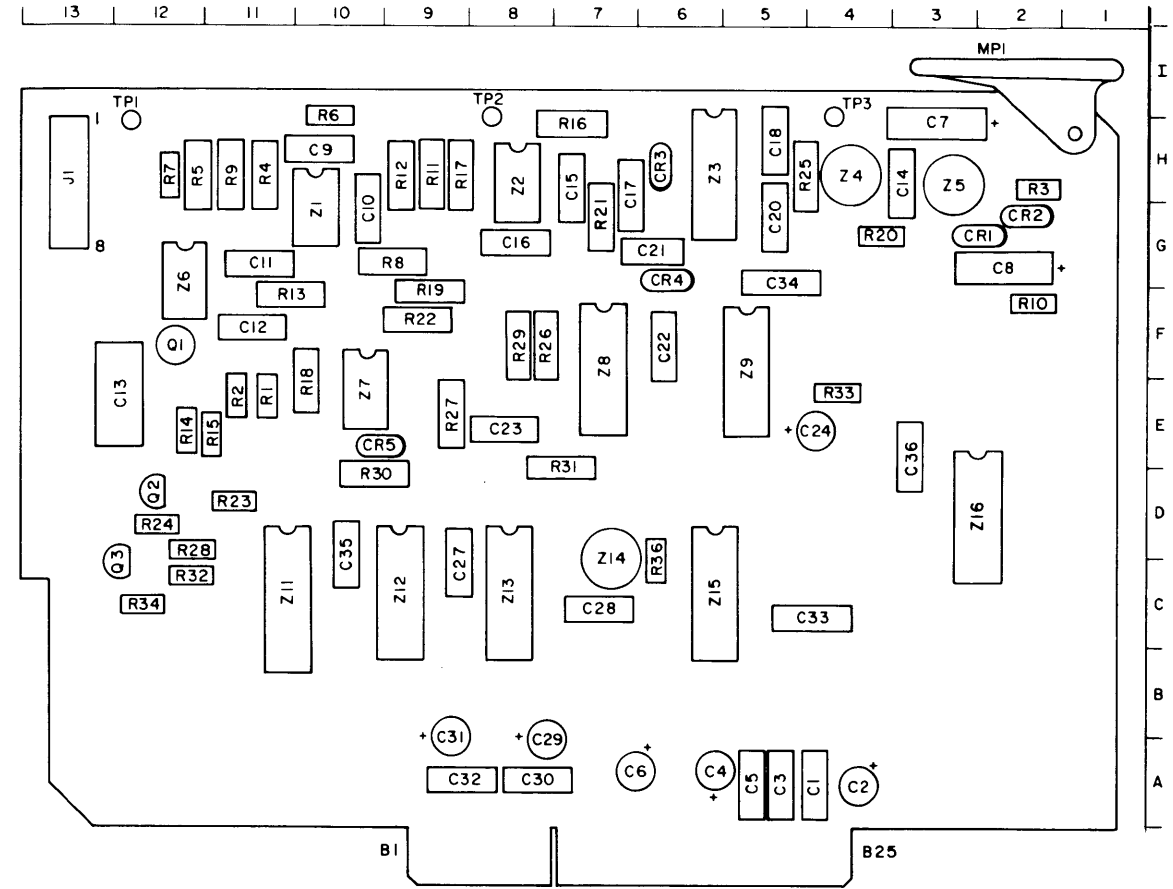
**SCOPE**  
0.05 V/cm  
10 ms/cm

**ANALYZER**  
3000 MHz  
ALL NORMAL

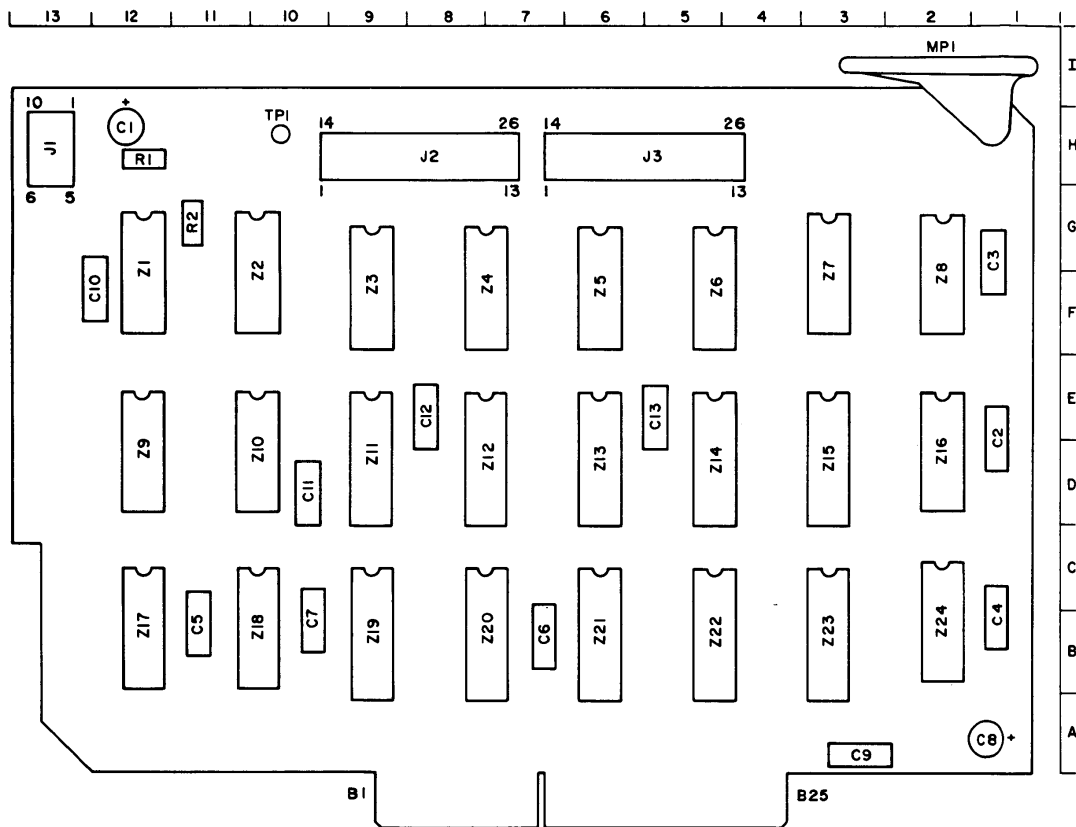


PARTS LOCATION INDEX, DIGITAL DISPLAY NO. 2 1A14

REFERENCE DESIGNATION	ZONE	REFERENCE DESIGNATION	ZONE	REFERENCE DESIGNATION	ZONE
C1	4A	CR1	2G	R23	11D
C2	4A	CR2	2G	R24	12D
C3	5A	CR3	6H	R25	5H
C4	6A	CR4	6G	R26	7F
C5	5A	CR5	10E	R27	9E
C6	6A			R28	12D
C7	3H	J1	13H	R29	8F
C8	2G			R30	10D
C9	10H	MP1	2I	R31	7E
C10	10H			R32	12C
C11	11G	Q1	12F	R33	4E
C12	11F	Q2	12D	R34	12C
C13	12E	Q3	12D	R35	NOT USED
C14	3H			R36	7D
C15	7H	R1	11E		
C16	8G	R2	11E	TP1	12I
C17	7H	R3	2H	TP2	8I
C18	5H	R4	11H	TP3	4I
C19	NOT USED	R5	12H		
C20	5G	R6	10H	Z1	10G
C21	6G	R7	12H	Z2	8H
C22	6F	R8	9G	Z3	6H
C23	8E	R9	11H	Z4	4H
C24	4E	R10	2F	Z5	3H
C25	NOT USED	R11	9H	Z6	12G
C26	NOT USED	R12	9H	Z7	10E
C27	9D	R13	10G	Z8	7F
C28	7C	R14	12E	Z9	5F
C29	8B	R15	11E		NOT USED
C30	8A	R16	7H	Z10	11C
C31	9B	R17	9H	Z11	10C
C32	9A	R18	10E	Z12	8C
C33	4C	R19	19F	Z13	7C
C34	5G	R20	4G	Z14	6C
C35	10D	R21	7H	Z15	2E
C36	3E	R22	9F	Z16	



NOTES  
 UNLESS OTHERWISE SPECIFIED:  
 1. RESISTOR VALUES ARE IN OHMS  
 2. CAPACITOR VALUES ARE IN UF  
 3. INDUCTOR VALUES ARE IN UH



**PARTS LOCATION INDEX, DIGITAL DISPLAY NO. 1 1A15**

<u>REFERENCE DESIGNATION</u>	<u>ZONE</u>	<u>REFERENCE DESIGNATION</u>	<u>ZONE</u>	<u>REFERENCE DESIGNATION</u>	<u>ZONE</u>
C1	12H	MP1	2I	Z13	6D
C2	1E			Z14	5D
C3	1G	R1	12H	Z15	3D
C4	1C	R2	11G	Z16	2D
C5	11C			Z17	12B
C6	7B	Z1	12G	Z18	10B
C7	10C	Z2	10G	Z19	9B
C8	1A	Z3	9F	Z20	8B
C9	3A	Z4	8F	Z21	6B
C10	12F	Z5	6F	Z22	5B
C11	10D	Z6	5F	Z23	3B
C12	8E	Z7	3F	Z24	2B
C13	5E	Z8	2F		
		Z9	12D	TP1	10H
J1	13H	Z10	10D		
J2	8H	Z11	9D		
J3	5H	Z12	8D		

NOTES  
 UNLESS OTHERWISE SPECIFIED:  
 1. RESISTOR VALUES ARE IN OHMS  
 2. CAPACITOR VALUES ARE IN UF  
 3. INDUCTOR VALUES ARE IN UH

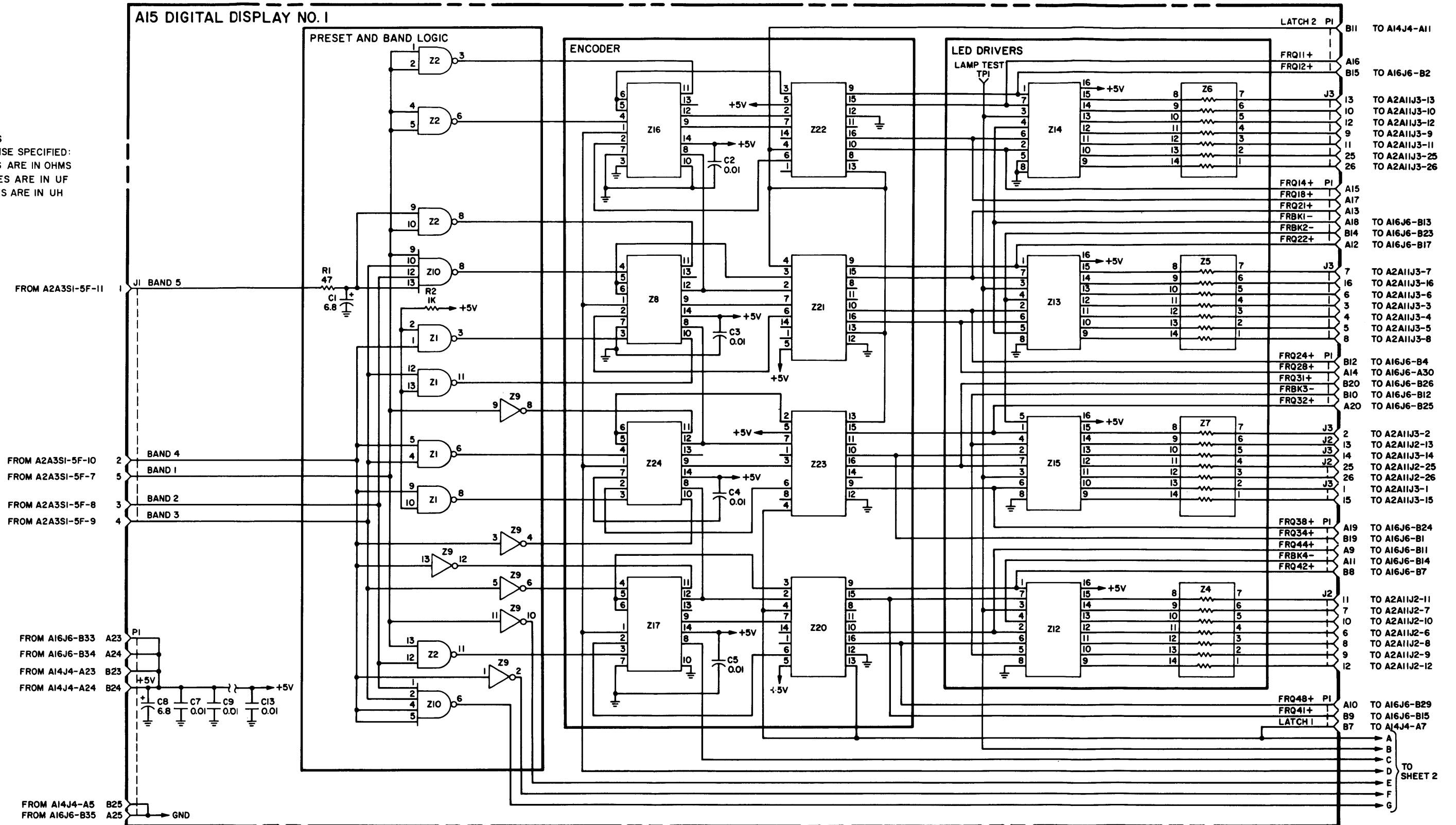


Figure 7-37. Digital Display Printed Circuit Board No. 1 1A15, Maintenance Schematic Diagram (Sheet 1 of 2)

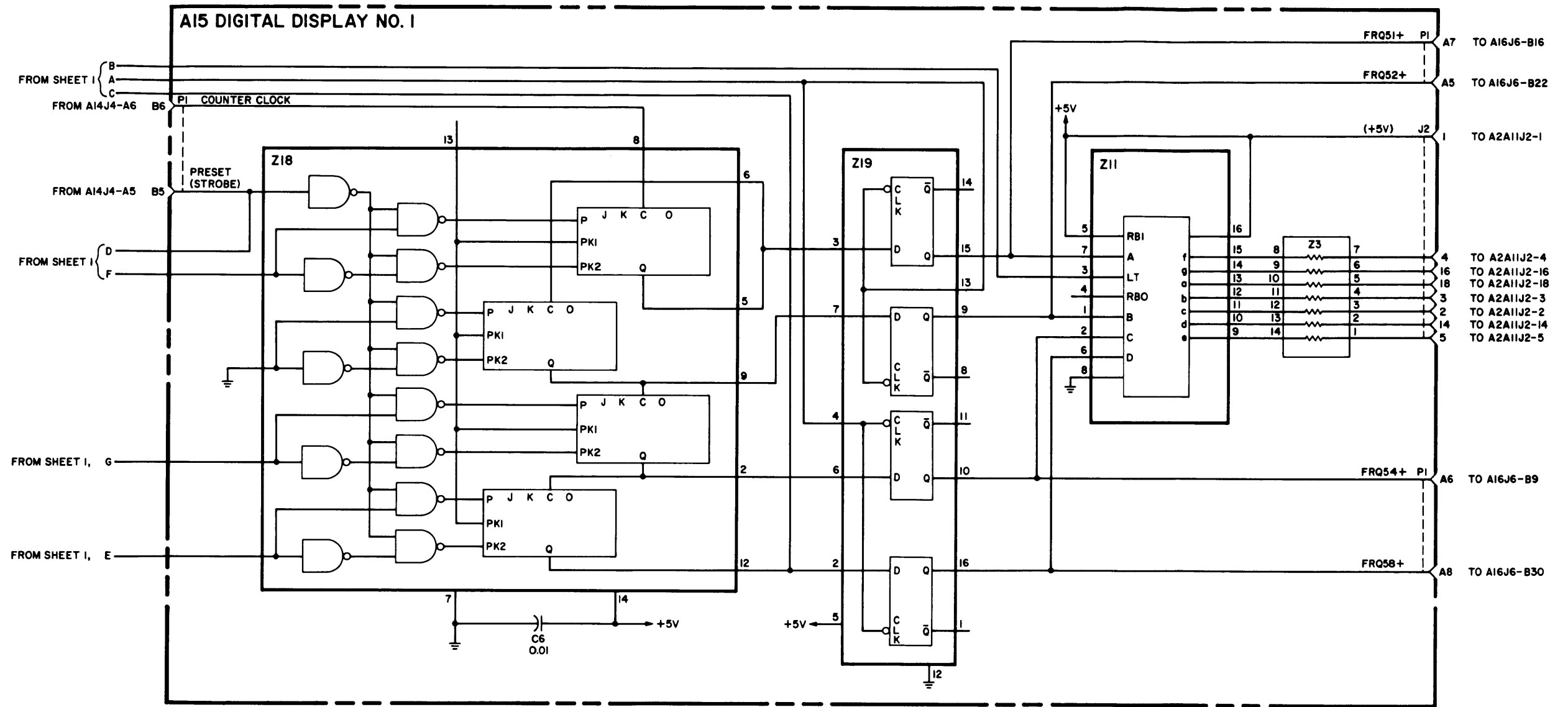
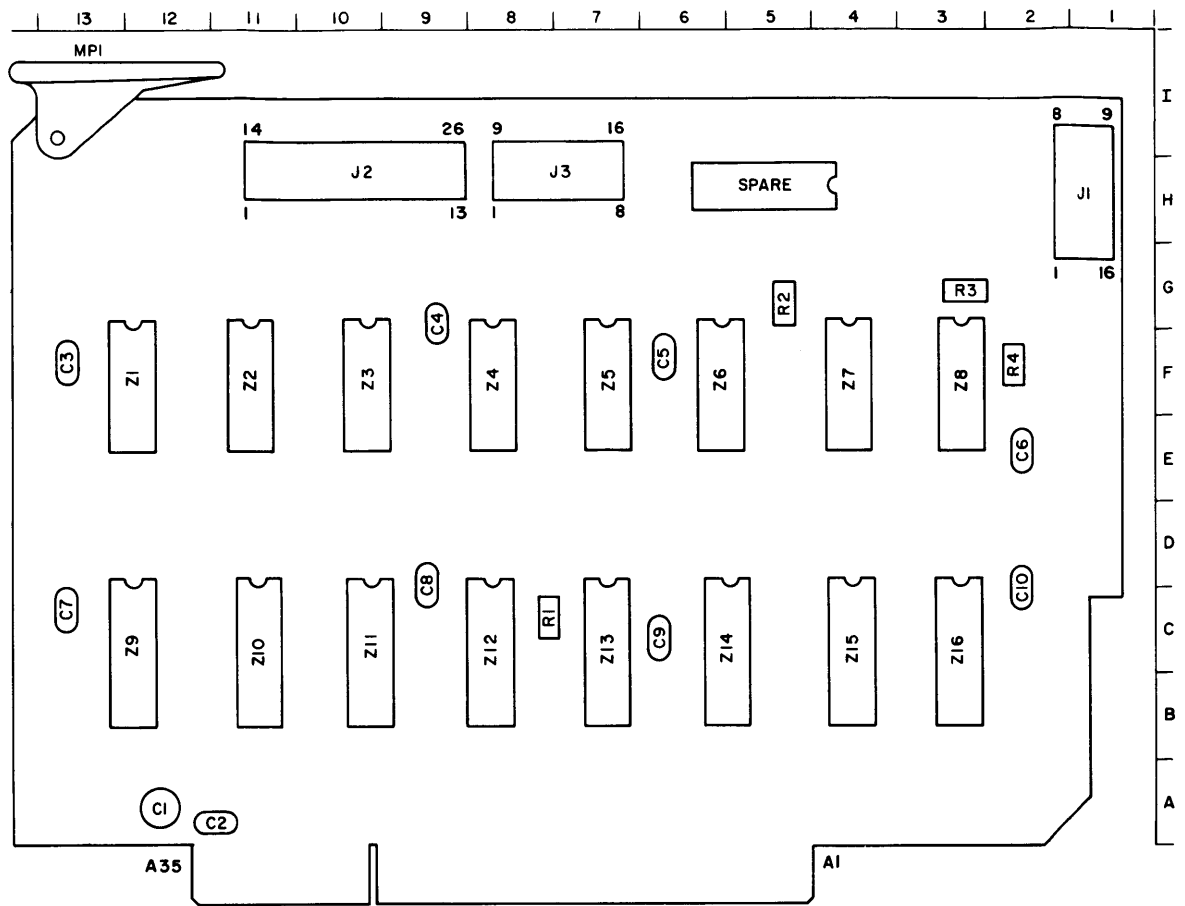


Figure 7-37. Digital Display Printed Circuit Board No. 1 1A15, Maintenance Schematic Diagram (Sheet 2 of 2)



**PARTS LOCATION INDEX, FREQUENCY AND POWER REFERENCE  
ENCODER LOGIC NO. 1 1A16**

<u>REFERENCE DESIGNATION</u>	<u>ZONE</u>	<u>REFERENCE DESIGNATION</u>	<u>ZONE</u>	<u>REFERENCE DESIGNATION</u>	<u>ZONE</u>
C1	12A	J3	7H	Z5	7F
C2	12A			Z6	6F
C3	13F	MP1	13I	Z7	4F
C4	9G			Z8	3F
C5	6F	R1	8C	Z9	12C
C6	2E	R2	5G	Z10	11C
C7	13C	R3	3G	Z11	10C
C8	9D	R4	2F	Z12	8C
C9	6C			Z13	7C
C10	2D	Z1	12F	Z14	6C
		Z2	11F	Z15	4C
J1	1H	Z3	10F	Z16	3C
J2	10H	Z4	8F		

- NOTES  
 UNLESS OTHERWISE SPECIFIED:  
 1. RESISTOR VALUES ARE IN OHMS  
 2. CAPACITOR VALUES ARE IN UF  
 3. INDUCTOR VALUES ARE IN UH

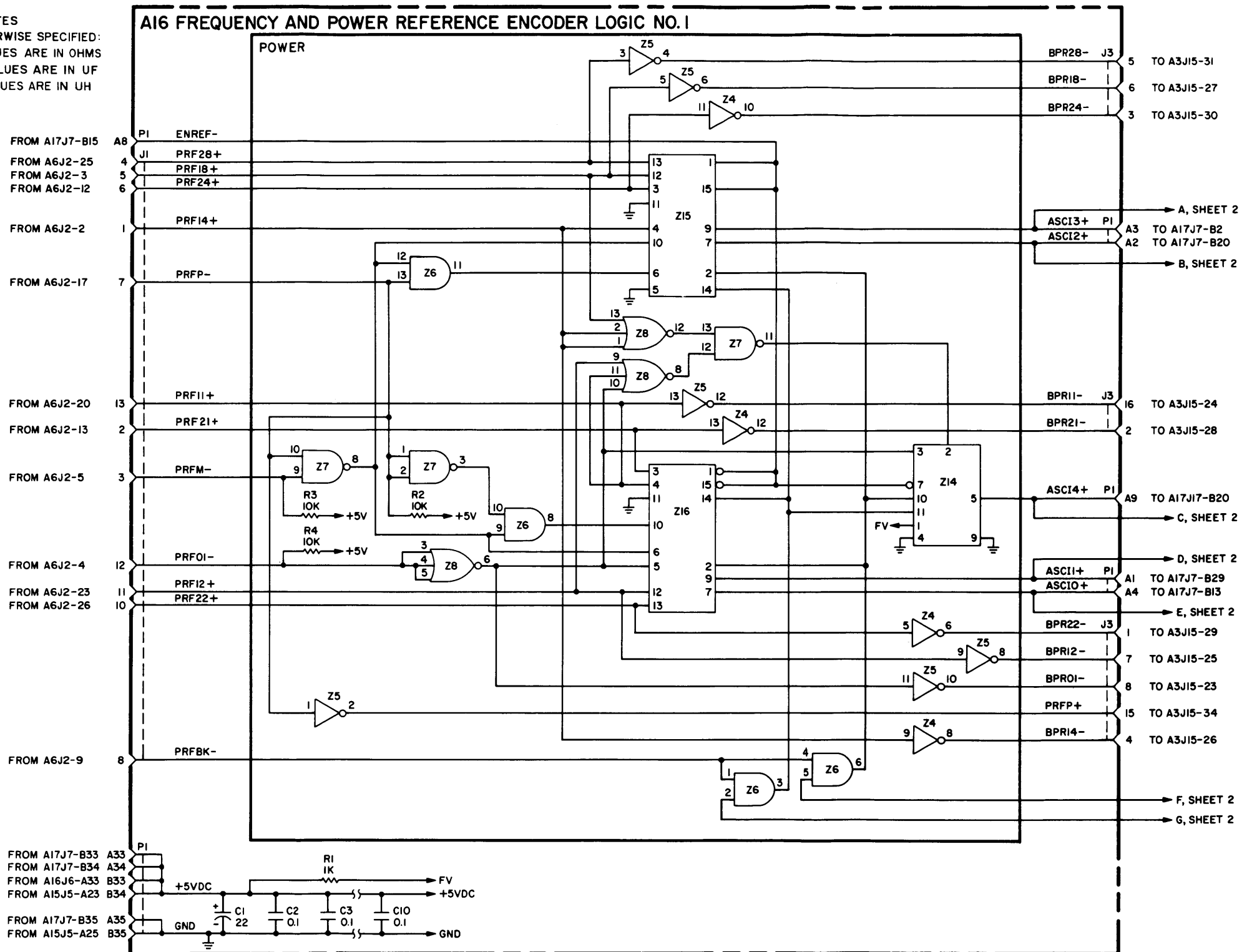


Figure 7-38. Frequency and Power Reference Encoder Printed Circuit Board 1A16, Maintenance Schematic Diagram (Sheet 1 of 2)

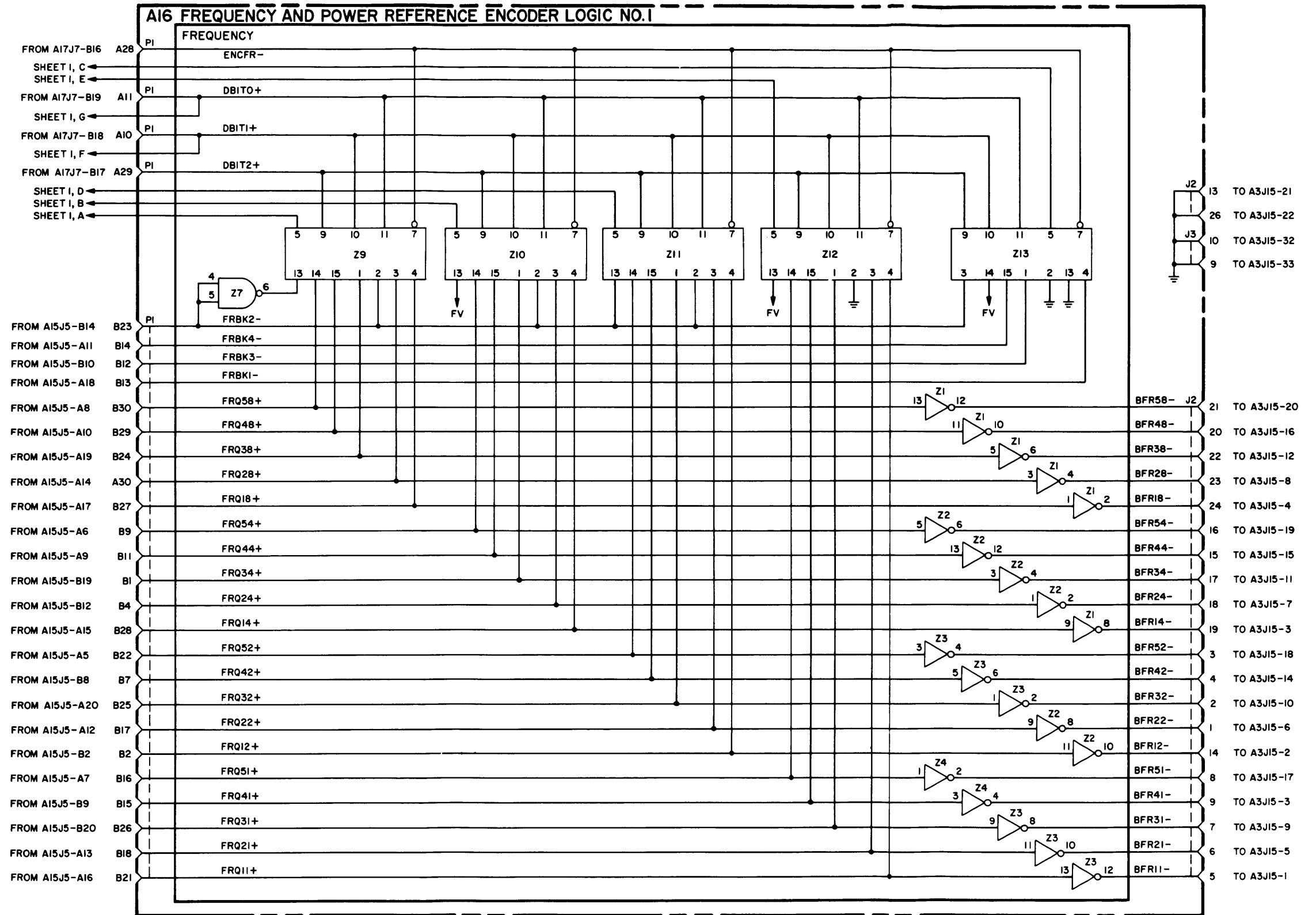
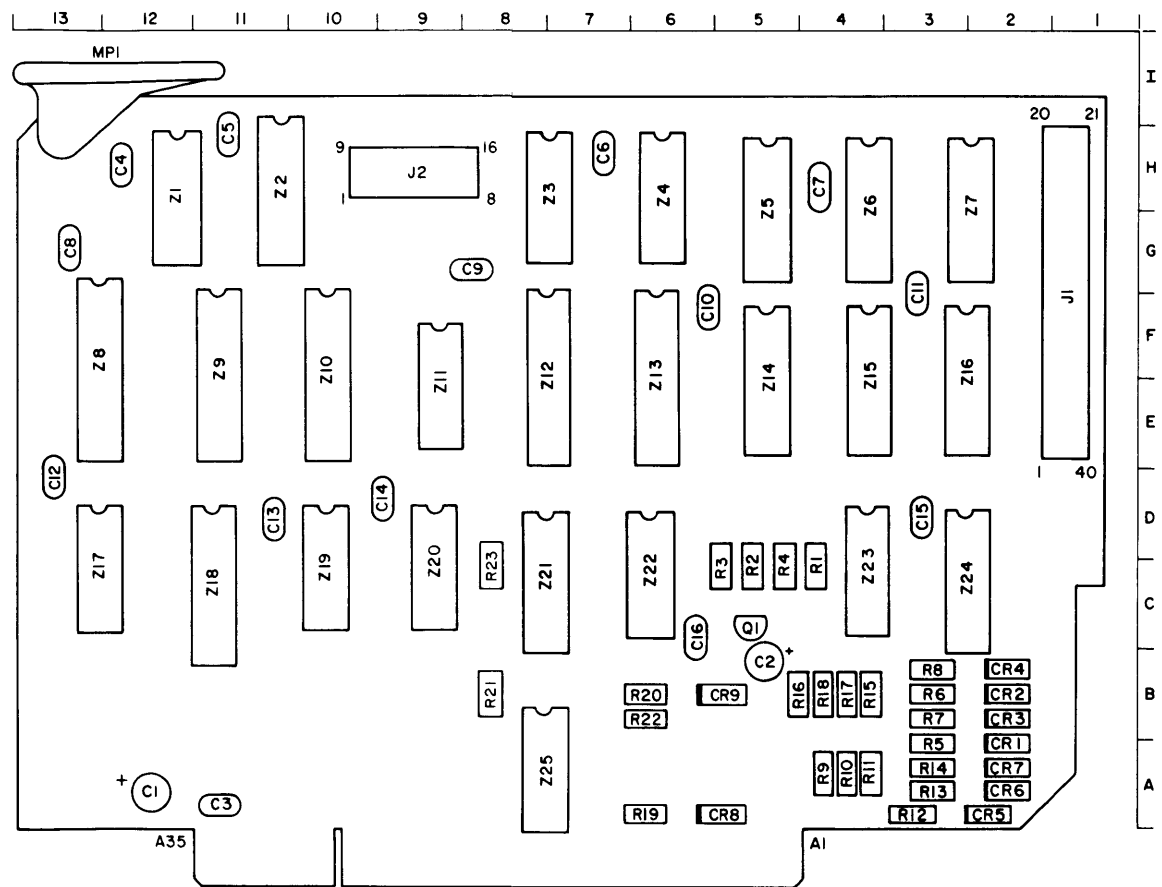


Figure 7-38. Frequency and Power Reference Encoder Printed Circuit Board 1A16, Maintenance Schematic Diagram (Sheet 2 of 2)

**PARTS LOCATION INDEX, CHARACTER GENERATOR AND  
DATA ENCODER LOGIC NO. 2 1A17**

<u>REFERENCE DESIGNATION</u>	<u>ZONE</u>	<u>REFERENCE DESIGNATION</u>	<u>ZONE</u>	<u>REFERENCE DESIGNATION</u>	<u>ZONE</u>
C1	12A	J1	1F	Z1	12H
C2	5B	J2	9H	Z2	11H
C3	11A	Q1	5C	Z3	8H
C4	12H			Z4	6H
C5	11H	R1	4C	Z5	5H
C6	7H	R2	5C	Z6	4H
C7	4H	R3	5C	Z7	3H
C8	13G	R4	5C	Z8	13F
C9	8G	R5	3A	Z9	11F
C10	6G	R6	3B	Z10	10F
C11	3G	R7	3B	Z11	9F
C12	13D	R8	3B	Z12	8F
C13	11D	R9	4A	Z13	6F
C14	10D	R10	4A	Z14	5F
C15	3D	R11	4A	Z15	4F
C16	6C	R12	3A	Z16	3F
		R13	3A	Z17	13C
		R14	3A	Z18	11C
CR1	2A	R15	4B	Z19	10C
CR2	2B	R16	5B	Z20	9C
CR3	2B	R17	4B	Z21	8C
CR4	2B	R18	4B	Z22	6C
CR5	2A	R19	6A	Z23	4C
CR6	2A	R20	6B	Z24	3C
CR7	2A	R21	8B	Z25	7B
CR8	5A	R22	6B		
CR9	5B	R23	8D		





- NOTES**
- UNLESS OTHERWISE SPECIFIED:
1. RESISTOR VALUES ARE IN OHMS
  2. CAPACITOR VALUES ARE IN UF
  3. INDUCTOR VALUES ARE IN UH

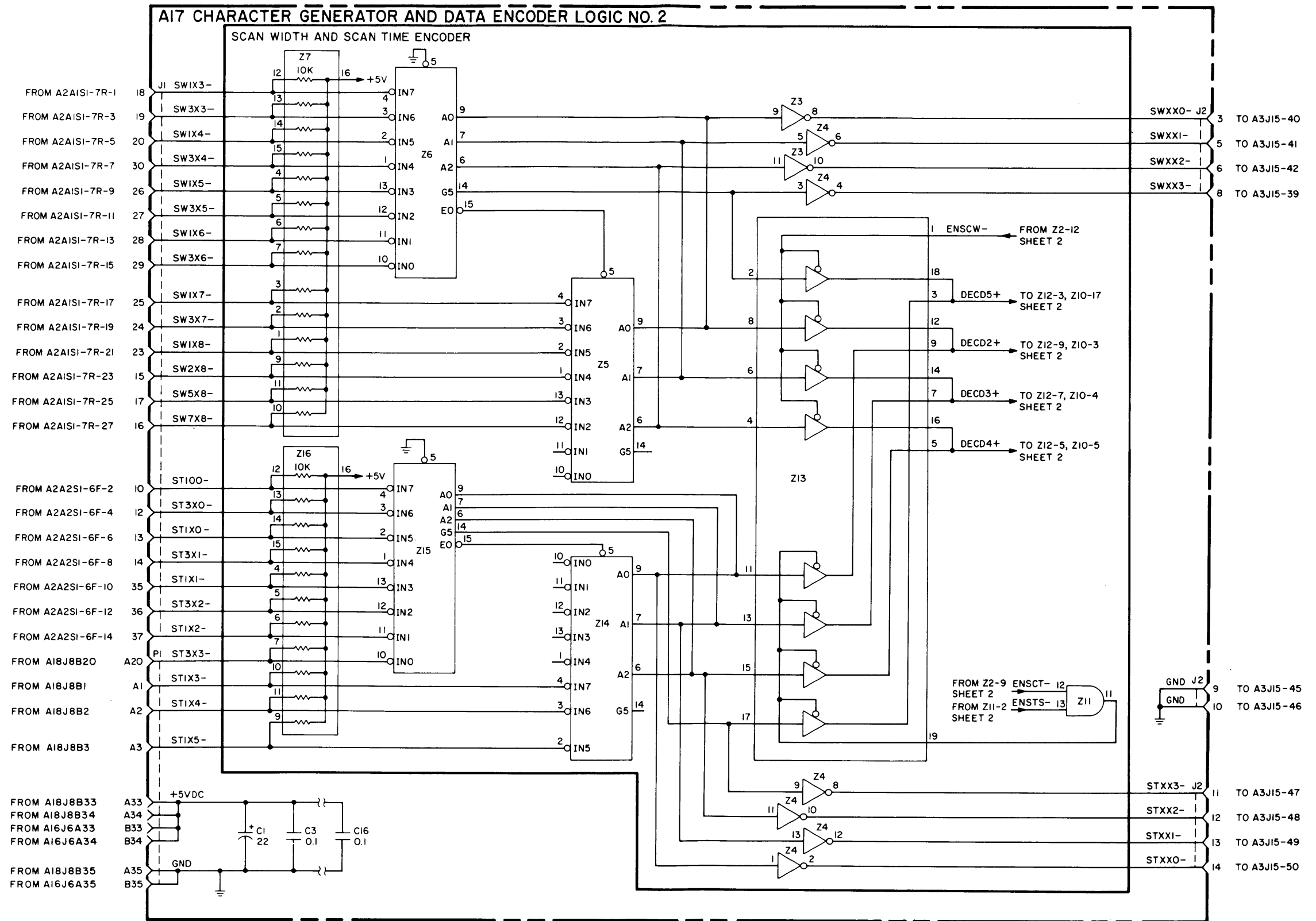


Figure 7-39. Character Generator and Data Encoder Printed Circuit Board 1A17, Maintenance Schematic Diagram (Sheet 1 of 2)

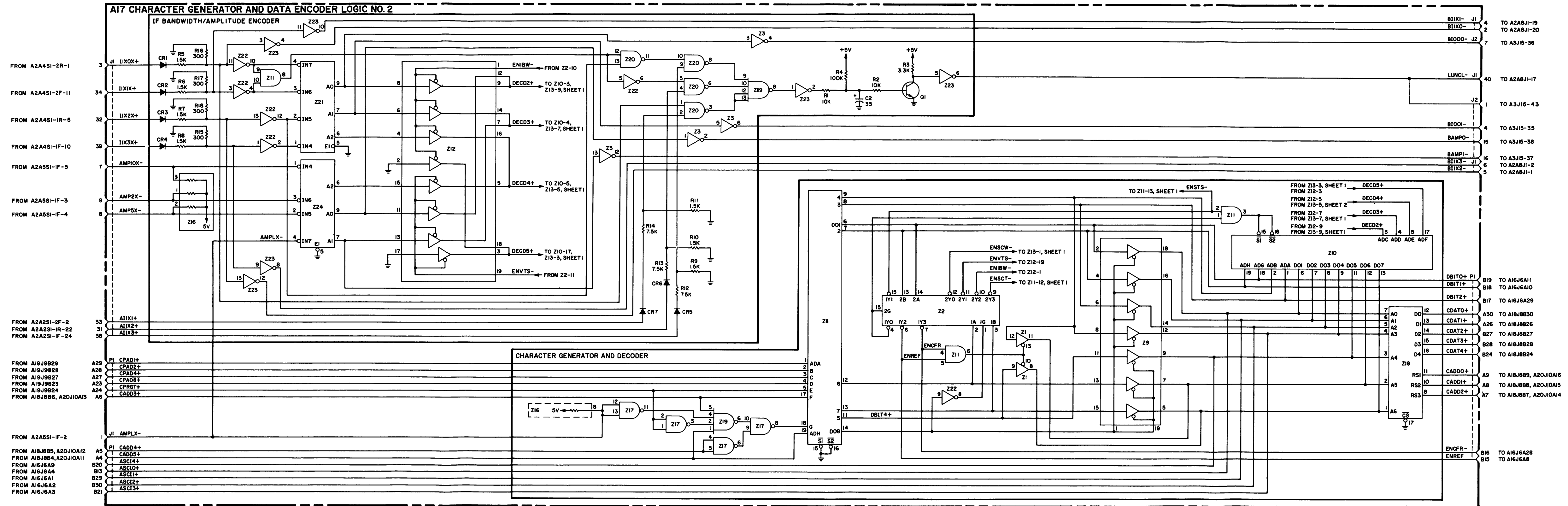
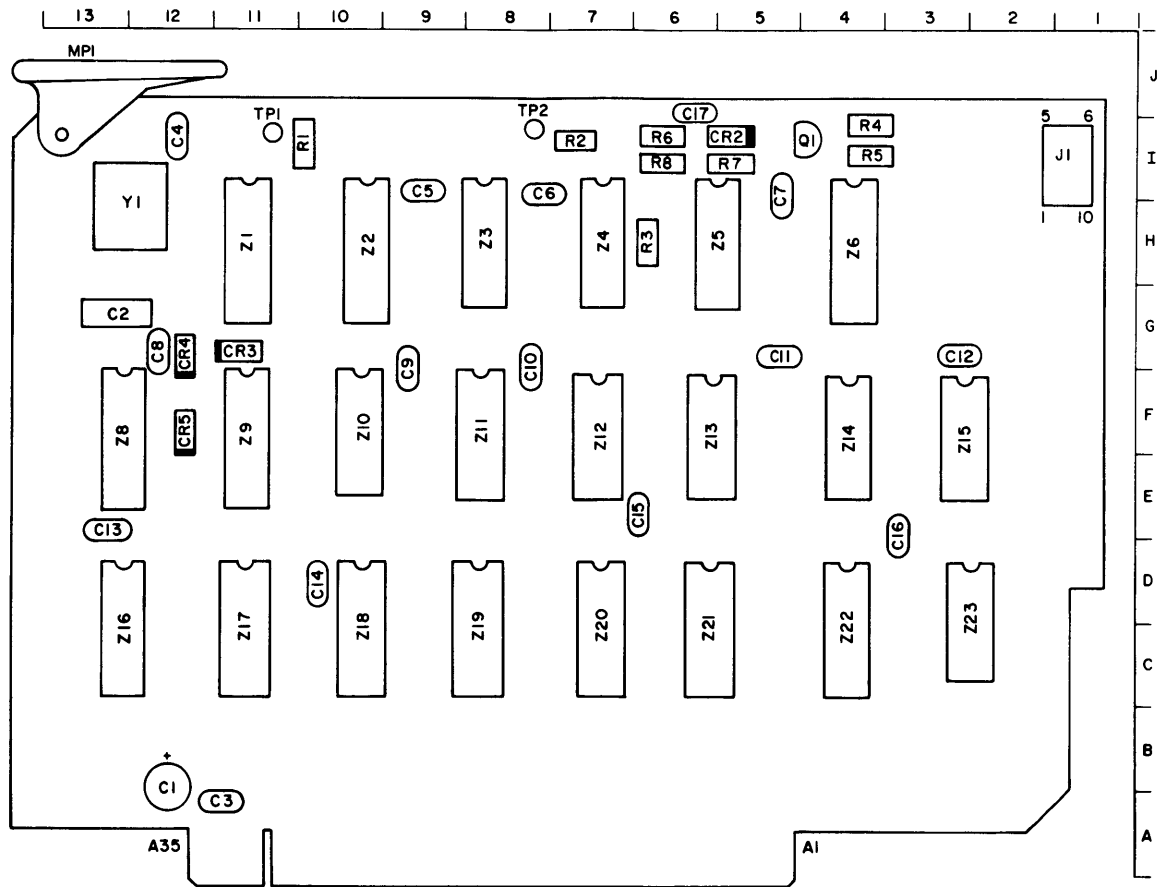


Figure 7-39. Character Generator and Data Encoder Printed Circuit Board 1A17, Maintenance Schematic Diagram (Sheet 2 of 2)



**PARTS LOCATION INDEX, HORIZONTAL TIMING LOGIC NO. 3 1A18**

<u>REFERENCE DESIGNATION</u>	<u>ZONE</u>	<u>REFERENCE DESIGNATION</u>	<u>ZONE</u>	<u>REFERENCE DESIGNATION</u>	<u>ZONE</u>
C1	12B	J1	11	Z3	8H
C2	13G			Z4	7H
C3	12B	MP1	13I	Z5	5H
C4	12I			Z6	4H
C5	9I	Q1	4H	Z7	NOT USED
C6	8I			Z8	12F
C7	5I	R1	10I	Z9	11F
C8	12G	R2	7I	Z10	10F
C9	9G	R3	6H	Z11	8F
C10	8G	R4	4I	Z12	7F
C11	5G	R5	4I	Z13	6F
C12	3G	R6	6I	Z14	4F
C13	13E	R7	5I	Z15	2F
C14	10D	R8	6I	Z16	13C
C15	7E			Z17	11C
C16	3E	TP1	11J	Z18	10C
C17	6I	TP2	8J	Z19	8C
				Z20	7C
CR1	6I			Z21	6C
CR2	5I	Y1	12H	Z22	4C
CR3	11G			Z23	2C
CR4	12G	Z1	11H		
CR5	12F	Z2	10H		

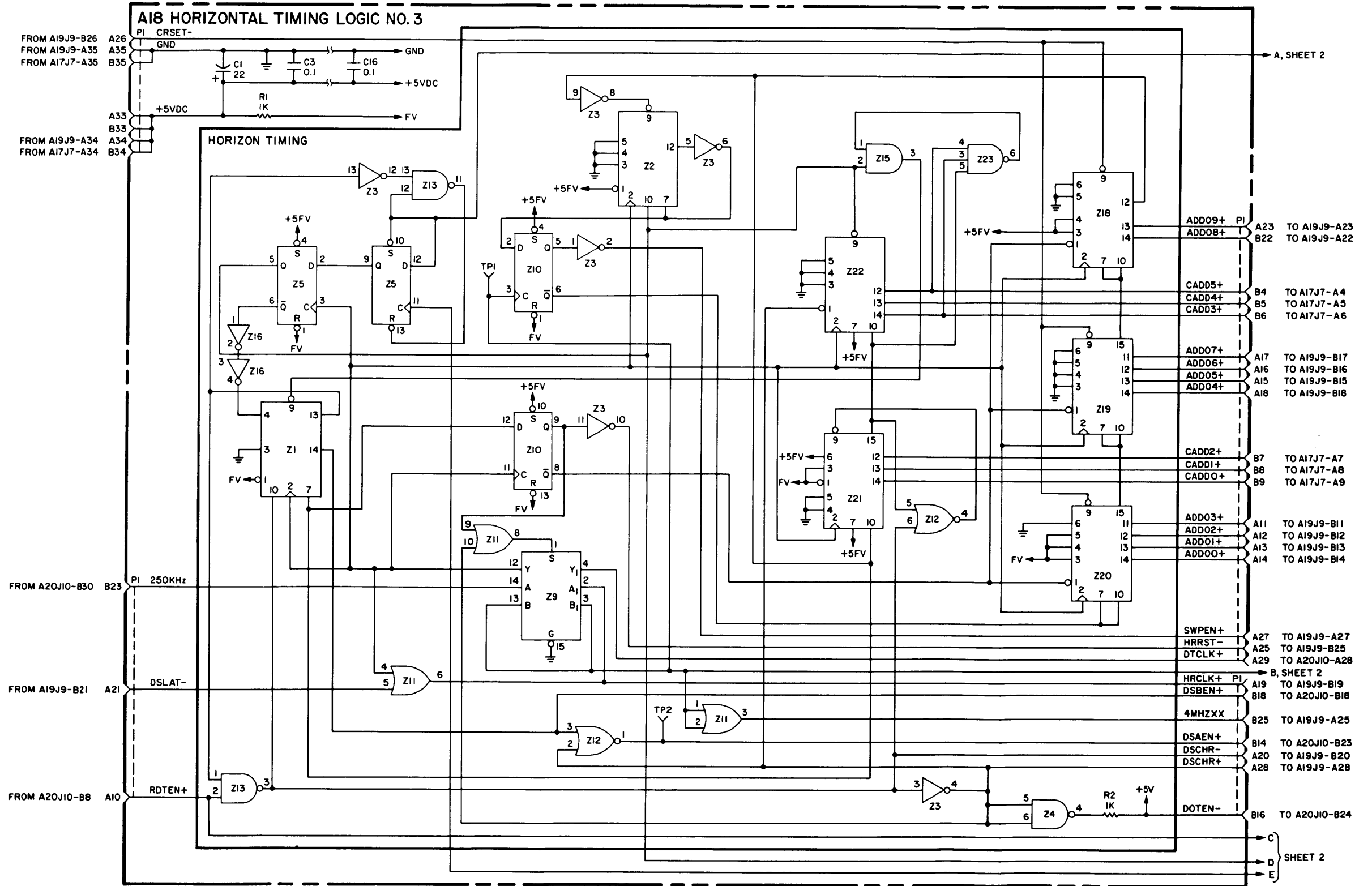


Figure 7-40. Horizontal Timing Printed Circuit Board 1A18, Maintenance Schematic Diagram (Sheet 1 of 2)

NOTES  
 UNLESS OTHERWISE SPECIFIED:  
 1. RESISTOR VALUES ARE IN OHMS  
 2. CAPACITOR VALUES ARE IN UF  
 3. INDUCTOR VALUES ARE IN UH

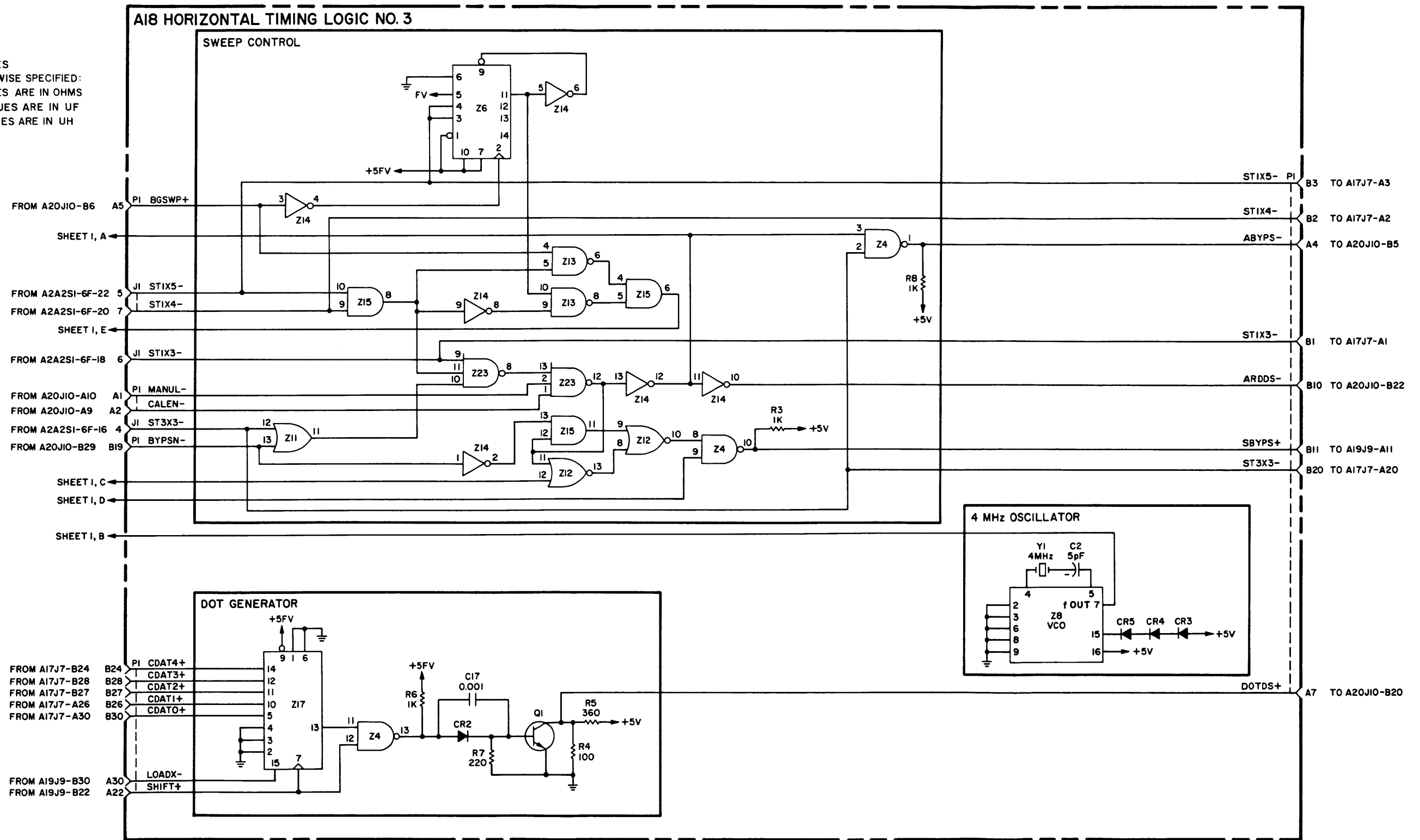
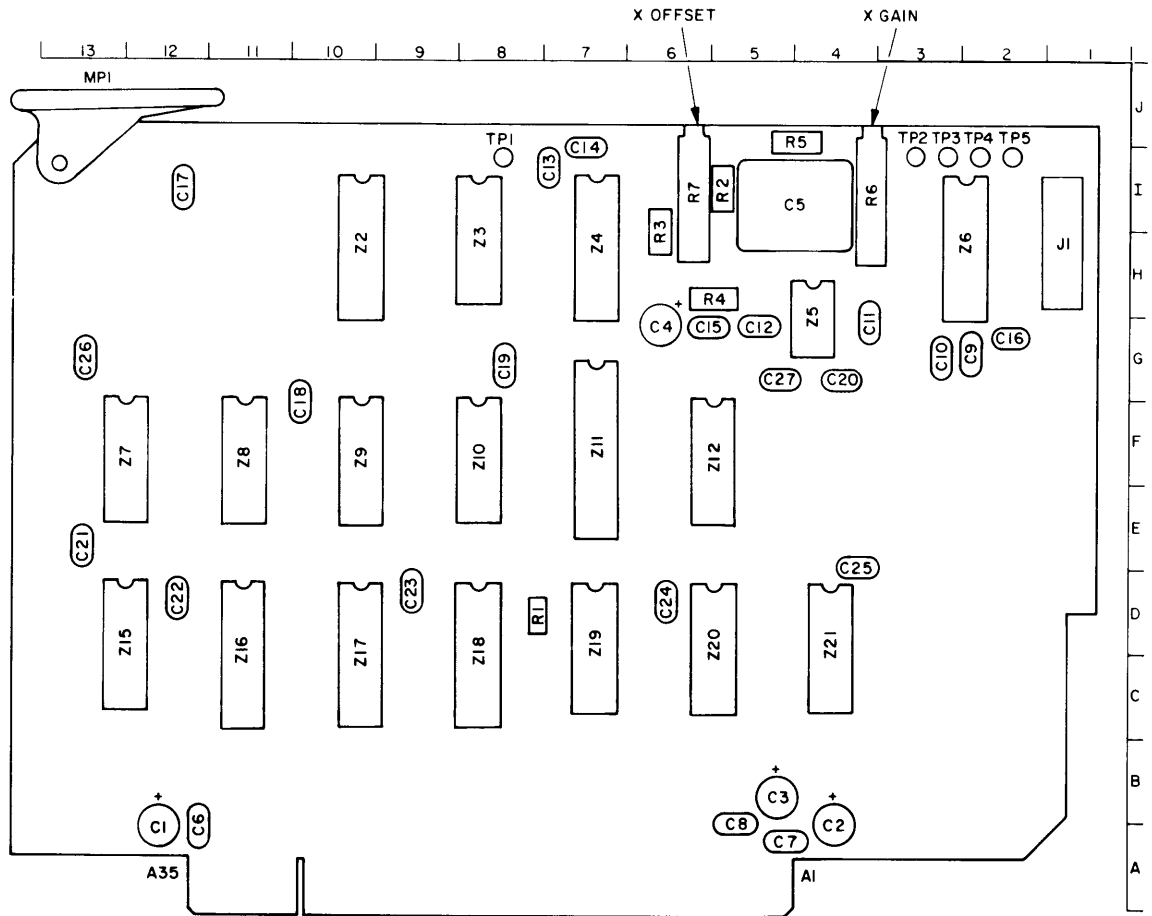


Figure 7-40. Horizontal Timing Printed Circuit Board 1A18, Maintenance Schematic Diagram (Sheet 2 of 2)



**PARTS LOCATION INDEX, DISPLAY AND HORIZONTAL  
OUTPUT LOGIC NO. 4 1A19**

<u>REFERENCE DESIGNATION</u>	<u>ZONE</u>	<u>REFERENCE DESIGNATION</u>	<u>ZONE</u>	<u>REFERENCE DESIGNATION</u>	<u>ZONE</u>
C1	12A	C23	9D	Z1	NOT USED
C2	4A	C24	6D	Z2	10H
C3	5B	C25	4E	Z3	8H
C4	6H	C26	13G	Z4	7H
C5	5I	C27	5G	Z5	4H
C6	12A	J1	1I	Z6	2H
C7	5A	MP1	13J	Z7	12F
C8	5B	R1	8D	Z8	11F
C9	2G	R2	5I	Z9	10F
C10	3G	R3	6I	Z10	8F
C11	4H	R4	5H	Z11	7F
C12	5H	R5	4I	Z12	5F
C13	7I	R6	4I	Z13	NOT USED
C14	7I	R7	6I	Z14	NOT USED
C15	6H	TP1	8J	Z15	12D
C16	2G	TP2	3J	Z16	11D
C17	12I	TP3	3J	Z17	10D
C18	10F	TP4	2J	Z18	8D
C19	8G	TP5	2J	Z19	7D
C20	4G			Z20	6D
C21	13E			Z21	4D
C22	12D				

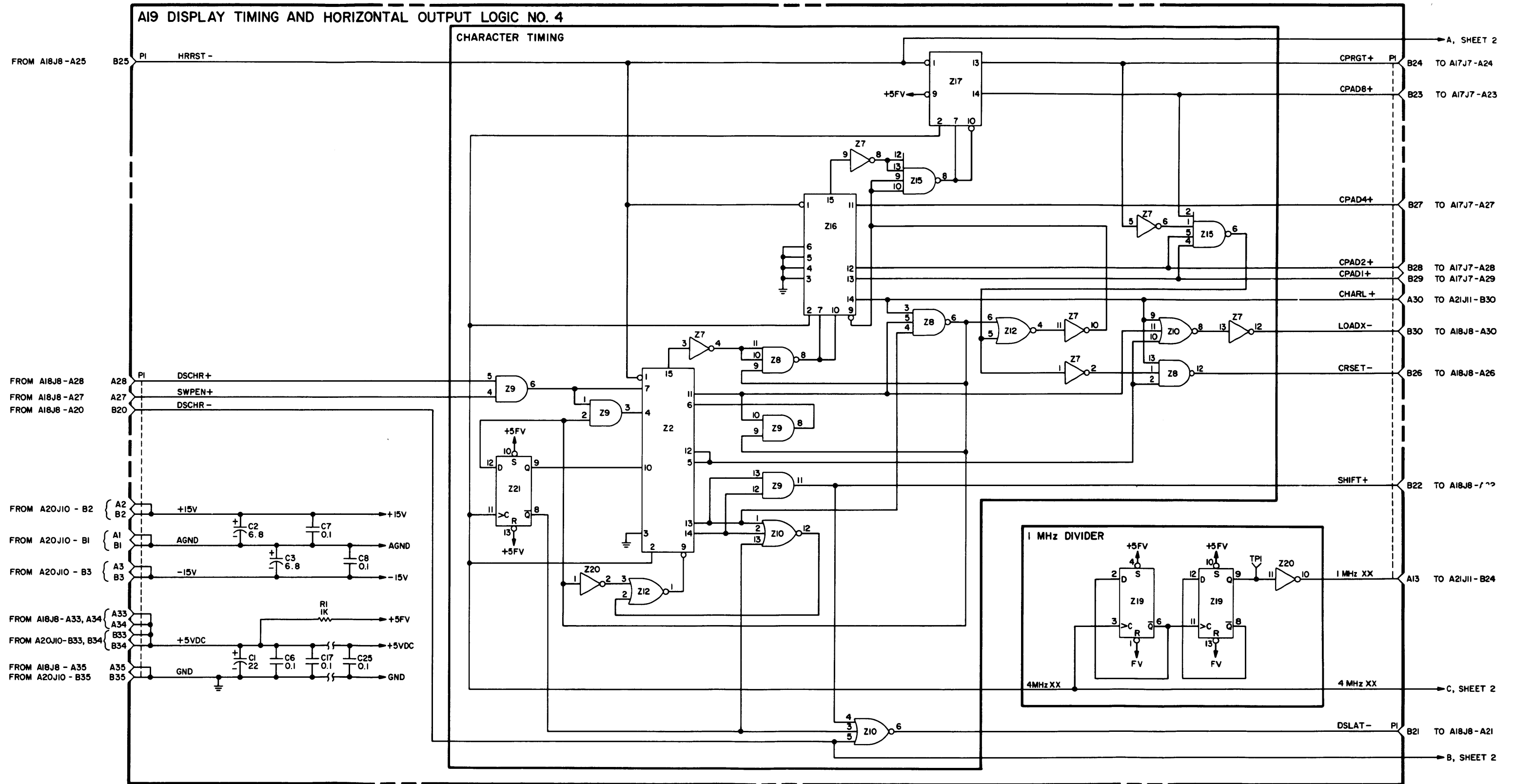


Figure 7-41. Display Timing and Horizontal Output Printed Circuit Board 1A19, Maintenance Schematic Diagram (Sheet 1 of 2)



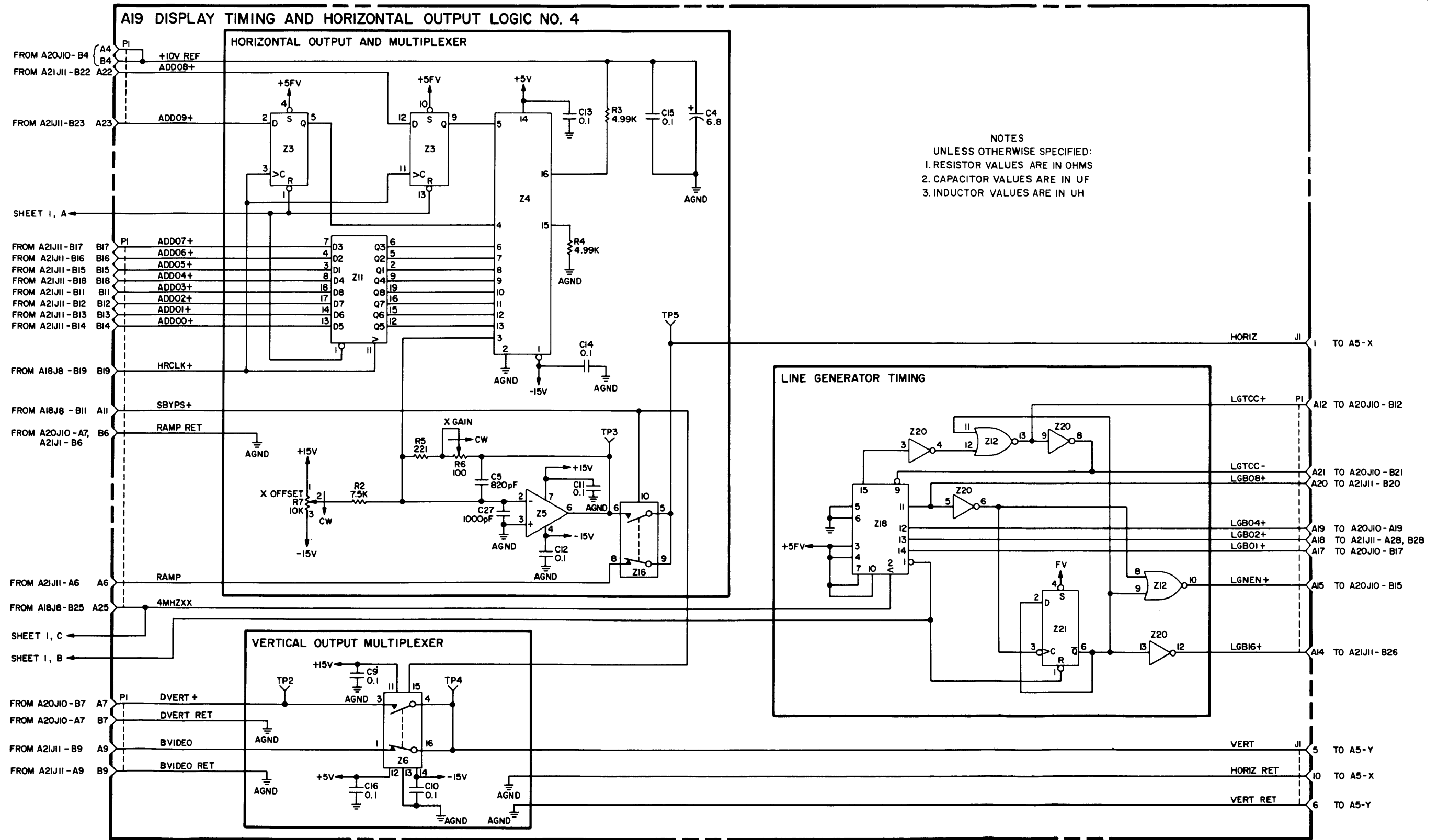
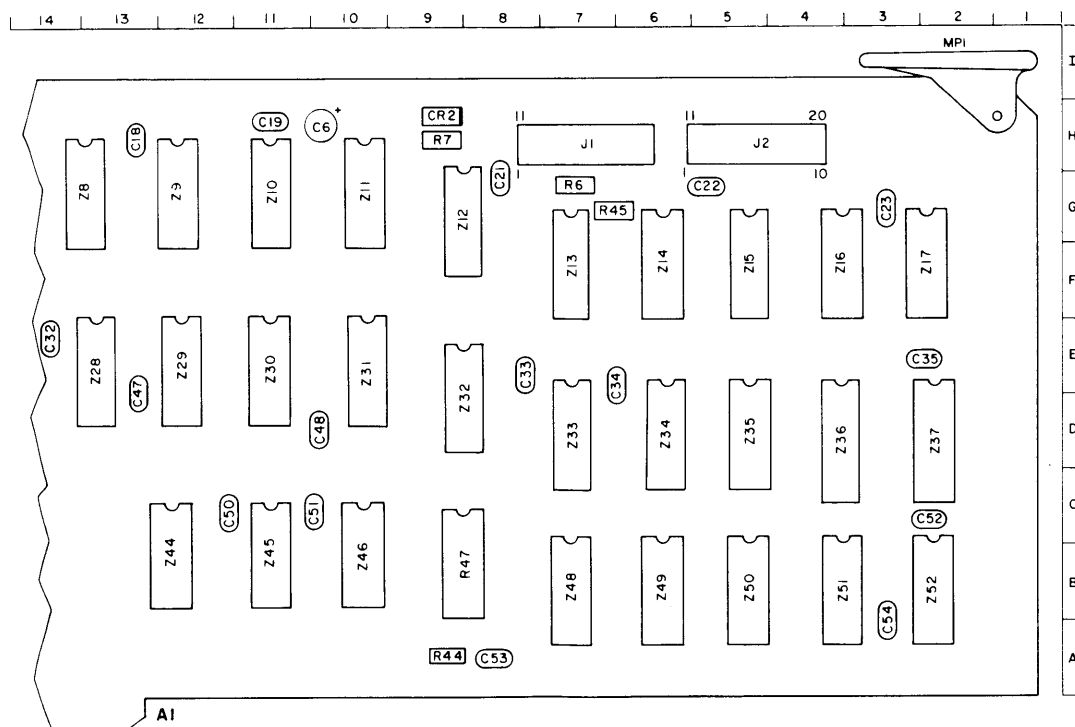
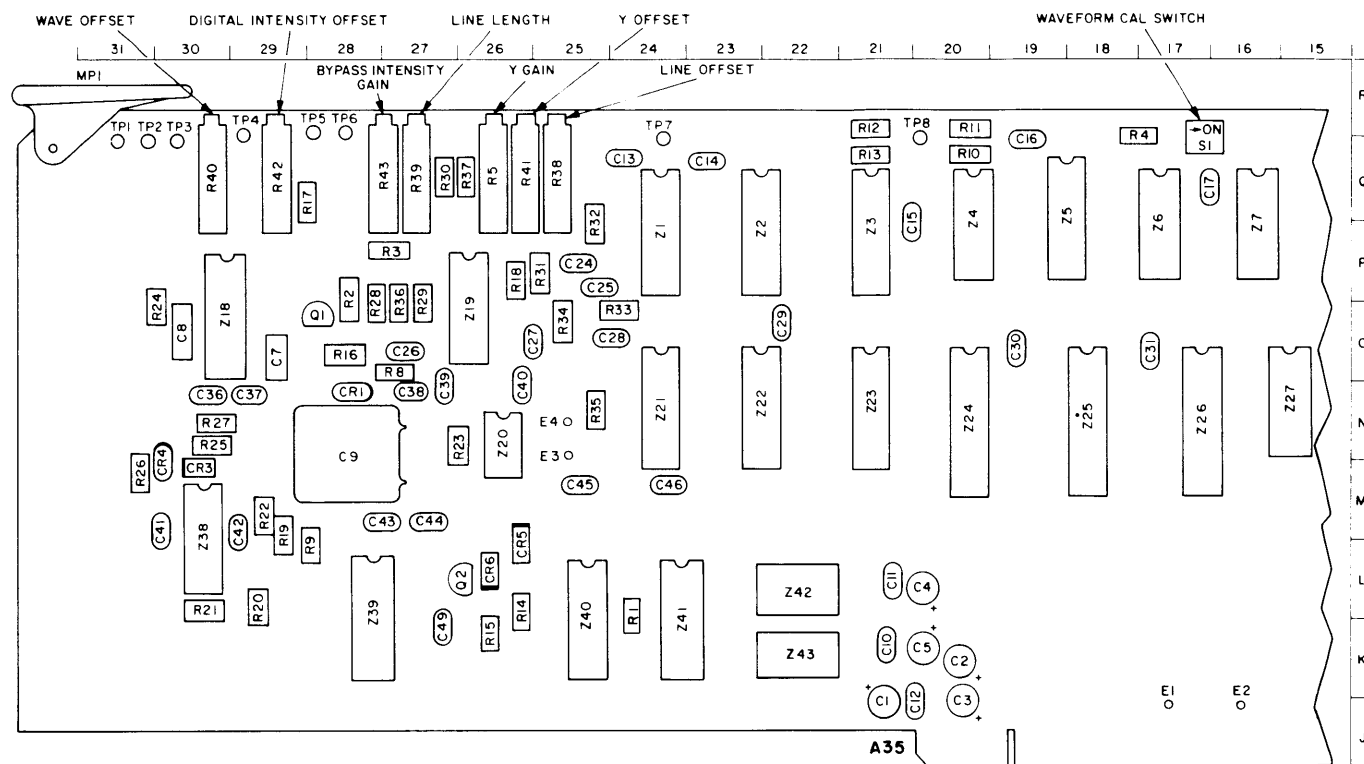


Figure 7-41. Display Timing and Horizontal Output Printed Circuit Board 1A19, Maintenance Schematic Diagram (Sheet 2 of 2)

**PARTS LOCATION INDEX, PUSHBUTTON INTERFACE AND  
LINE GENERATOR LOGIC NO. 3 1A20**

<u>REFERENCE DESIGNATION</u>	<u>ZONE</u>	<u>REFERENCE DESIGNATION</u>	<u>ZONE</u>	<u>REFERENCE DESIGNATION</u>	<u>ZONE</u>	<u>REFERENCE DESIGNATION</u>	<u>ZONE</u>
C1	21K	C46	24M	R20	29L	Z8	14G
C2	20K	C47	13E	R21	30L	Z9	12G
C3	20K	C48	10D	R22	29M	Z10	11G
C4	20L	C49	27K	R23	27N	Z11	10G
C5	20K	C50	12C	R24	31O	Z12	9G
C6	10H	C51	11C	R25	30N	Z13	7F
C7	29O	C52	2C	R26	31M	Z14	6F
C8	30O	C53	8A	R27	30N	Z15	5F
C9	28N	C54	3B	R28	28O	Z16	4F
C10	21K			R29	27O	Z17	3F
C11	21L	CR1	28N	R30	27Q	Z18	30O
C12	20J	CR2	9H	R31	25P	Z19	26O
C13	24Q	CR3	30M	R32	25P	Z20	26N
C14	23Q	CR4	30M	R33	25O	Z21	24N
C15	21Q	CR5	26L	R34	25O	Z22	23N
C16	19R	CR6	26L	R35	25N	Z23	21N
C17	16Q			R36	27O	Z24	20N
C18	13H	J1	7H	R37	26Q	Z25	18N
C19	11H	J2	5H	R38	25Q	Z26	17N
C20	NOT USED			R39	27Q	Z27	15N
C21	8H	MP1	31R	R40	30Q	Z28	14E
C22	5G			R41	26Q	Z29	12E
C23	3G			R42	29Q	Z30	11E
C24	25P	Q1	28P	R43	27Q	Z31	10E
C25	25P	Q2	27L	R44	9A	Z32	9D
C26	27O			R45	7G	Z33	7D
C27	26O	R1	24K			Z34	6D
C28	24O	R2	28O	S1	17Q	Z35	5D
C29	22O	R3	27P			Z36	4D
C30	19O	R4	18Q	TP1	31R	Z37	3D
C31	17O	R5	26Q	TP2	31R	Z38	30M
C32	14F	R6	7G	TP3	30R	Z39	28L
C33	8E	R7	9H	TP4	29R	Z40	25K
C34	7E	R8	27O	TP5	28R	Z41	24K
C35	2E	R9	28L	TP6	28R	Z42	22L
C36	30N	R10	20Q	TP7	24R	Z43	22K
C37	29N	R11	20Q	TP8	20R	Z44	13B
C38	27N	R12	21Q			Z45	11B
C39	27O	R13	21Q	Z1	24P	Z46	10B
C40	26N	R14	26L	Z2	23P	Z47	9B
C41	30M	R15	26K	Z3	21P	Z48	7B
C42	29M	R16	28O	Z4	20P	Z49	6B
C43	28M	R17	29Q	Z5	19P	Z50	5B
C44	27M	R18	26P	Z6	17P	Z51	4B
C45	25M	R19	29M	Z7	16P	Z52	3B



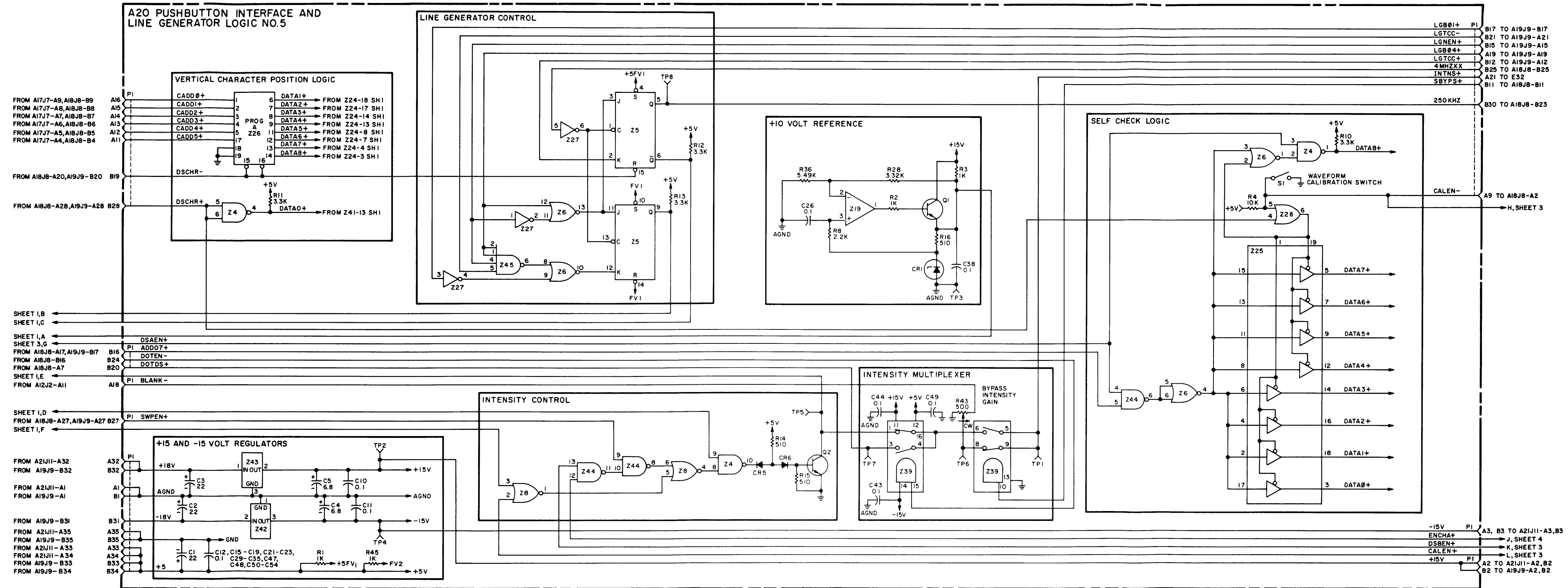


Figure 7-42. Pushbutton Interface and Line Generator Printed Circuit Board 1A20, Maintenance Schematic Diagram (Sheet 2 of 4)

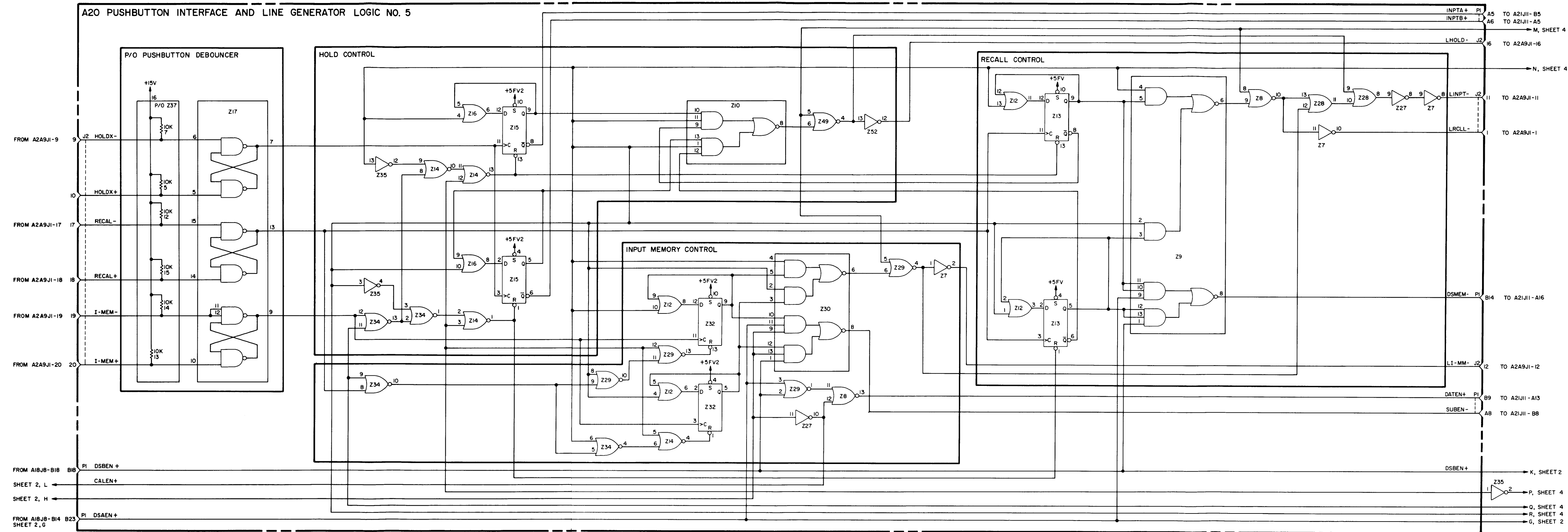


Figure 7-42. Pushbutton Interface and Line Generator Printed Circuit Board 1A20, Maintenance Schematic Diagram (Sheet 3 of 4)

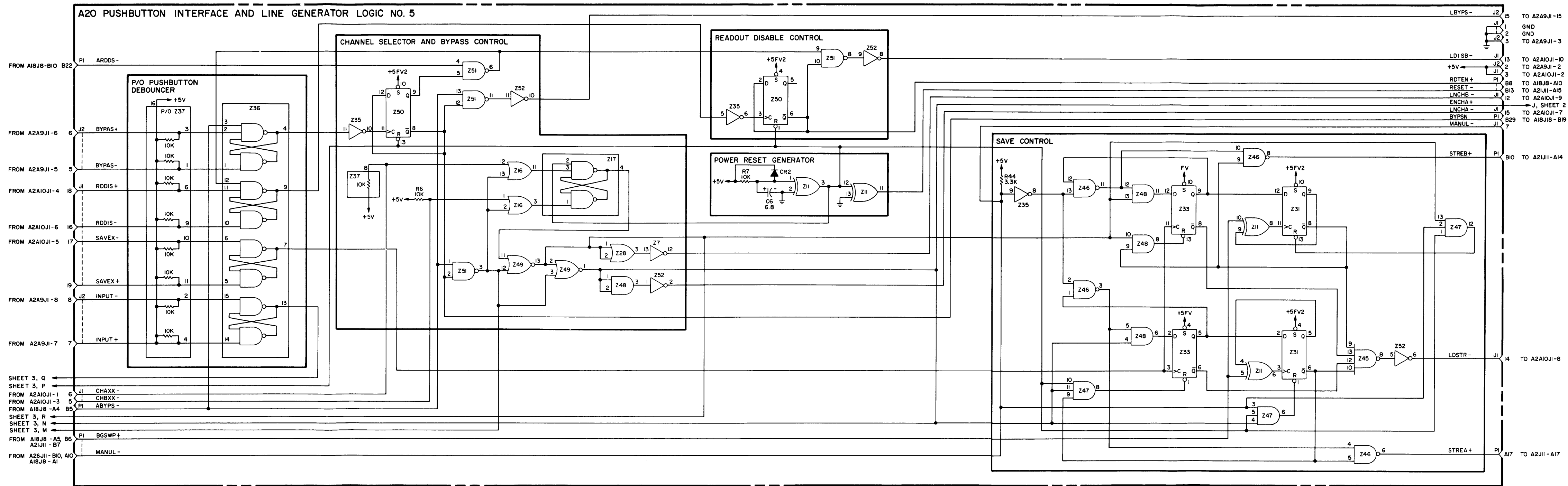
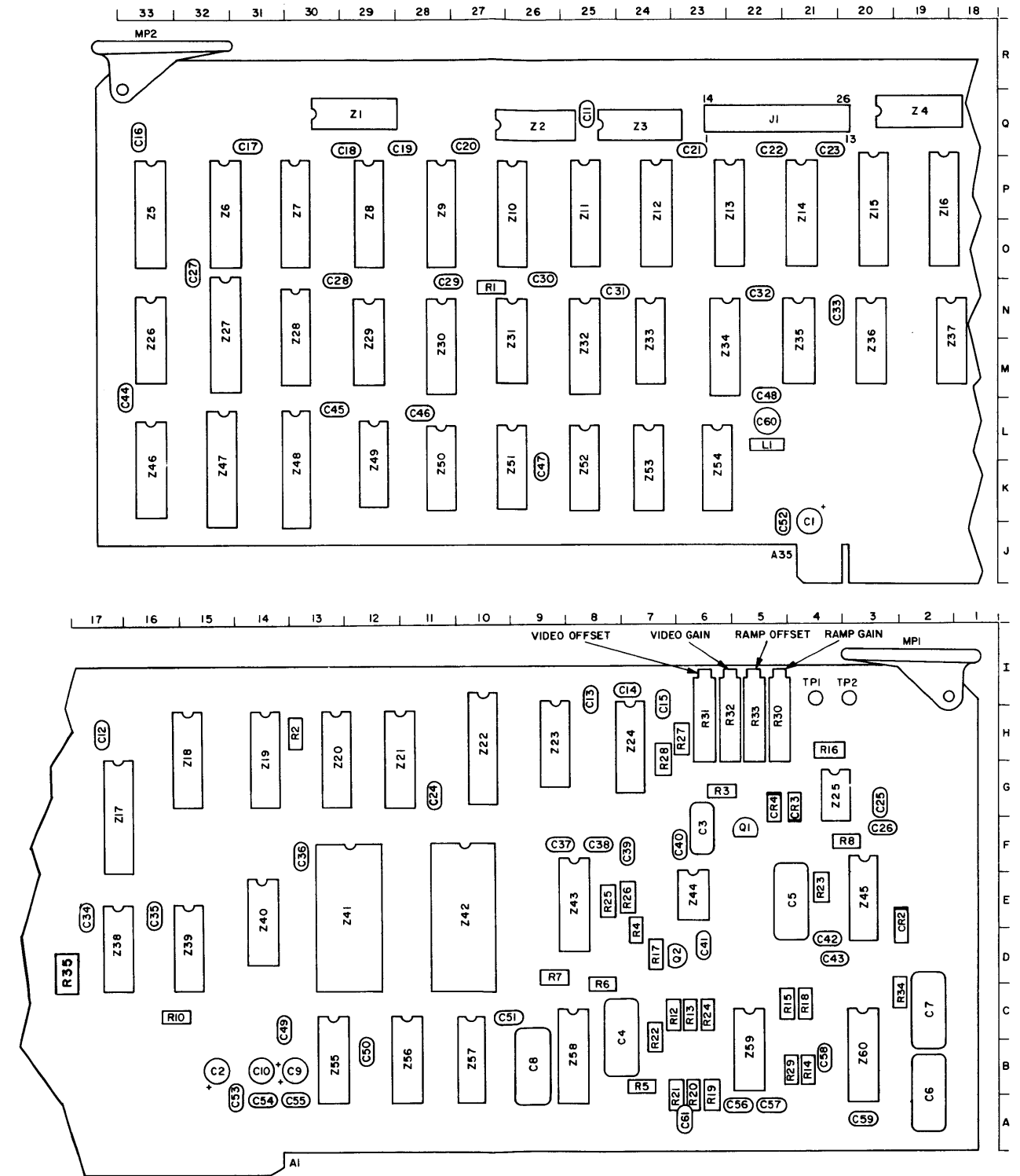


Figure 7-42. Pushbutton Interface and Line Generator Printed Circuit Board 1A20, Maintenance Schematic Diagram (Sheet 4 of 4)

PARTS LOCATION INDEX, DATA DIGITIZER AND MEMORY LOGIC NO. 6 1A21

REFERENCE DESIGNATION	ZONE	REFERENCE DESIGNATION	ZONE	REFERENCE DESIGNATION	ZONE	REFERENCE DESIGNATION	ZONE
C1	21K	C41	6D	R4	7D	Z6	31P
C2	15B	C42	4D	R5	7B	Z7	30P
C3	6G	C43	4D	R6	8D	Z8	29P
C4	8B	C44	33M	R7	9D	Z9	28P
C5	5E	C45	30L	R8	4F	Z10	26P
C6	2B	C46	28L	R9	NOT USED	Z11	25P
C7	2C	C47	26K	R10	16C	Z12	24P
C8	9B	C48	21L	R11	NOT USED	Z13	22P
C9	13B	C49	14C	R12	7C	Z14	21P
C10	14B	C50	12B	R13	6C	Z15	20P
C11	25Q	C51	9C	R14	4B	Z16	19P
C12	17H	C52	22K	R15	5C	Z17	17G
C13	8I	C53	15B	R16	4H	Z18	15H
C14	7I	C54	14B	R17	7D	Z19	14H
C15	7I	C55	14B	R18	4C	Z20	13H
C16	33Q	C56	5A	R19	6B	Z21	12H
C17	31Q	C57	5A	R20	6B	Z22	10H
C18	29Q	C58	4B	R21	7B	Z23	9H
C19	28Q	C59	3A	R22	7C	Z24	7H
C20	27Q	C60	22L	R23	4E	Z25	4G
C21	23Q	C61	6A	R24	6C	Z26	33M
C22	22Q			R25	8E	Z27	32M
C23	21Q	CR1	NOT USED	R26	7E	Z28	30M
C24	11G	CR2	2D	R27	6H	Z29	29M
C25	3G	CR3	4G	R28	7H	Z30	28M
C26	3F	CR4	5G	R29	5B	Z31	26M
C27	32O			R30	5H	Z32	25M
C28	29O	J1	22Q	R31	6H	Z33	24M
C29	28O			R32	6H	Z34	22M
C30	26O	L1	22K	R33	5H	Z35	21M
C31	24N			R34	3C	Z36	20M
C32	22N	MP1	2I	R35	17D	Z37	19M
C33	21N	MP2	33R	TP1	4I	Z38	17D
C34	17E			TP2	3I	Z39	16D
C35	16E	Q1	5F			Z40	14E
C36	13F	Q2	7D	Z1	29Q	Z41	12E
C37	9F			Z2	26Q	Z42	10E
C38	8F	R1	27N	Z3	24Q	Z43	8E
C39	7F	R2	13H	Z4	19Q	Z44	6E
C40	6F	R3	6G	Z5	33P		



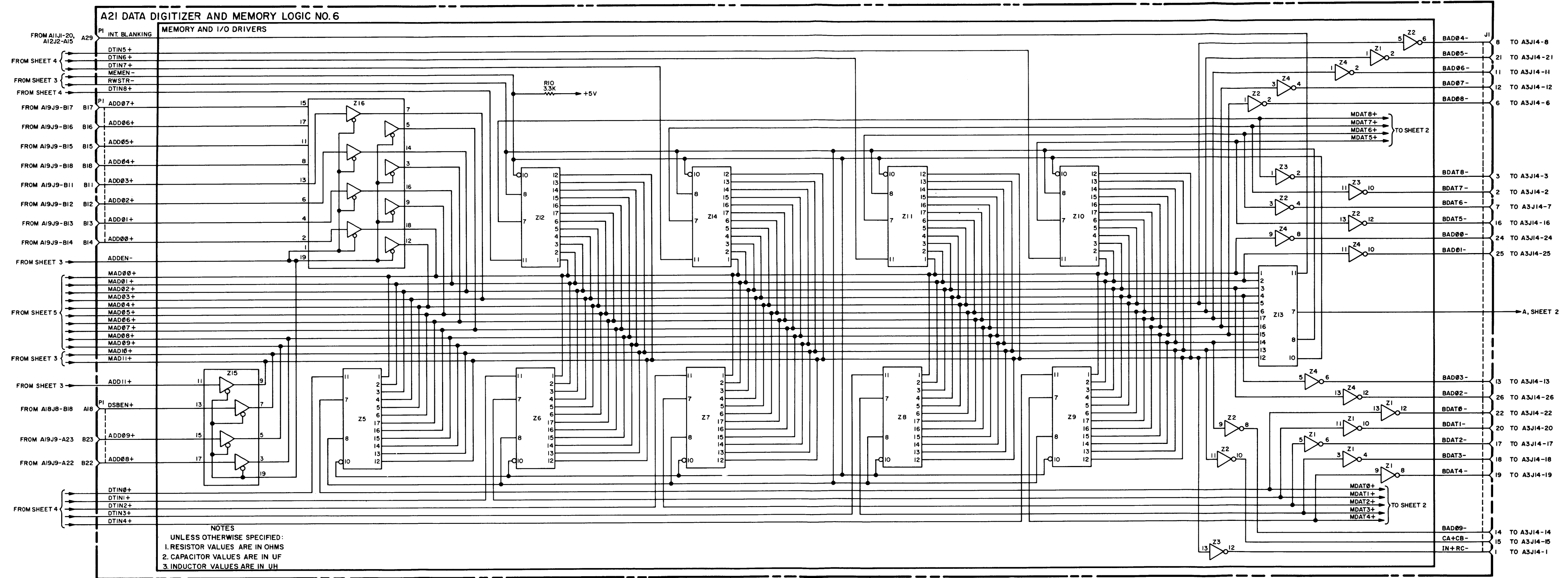


Figure 7-43. Data Digitizer and Memory Logic Printed Circuit Board 1A21, Maintenance Schematic Diagram (Sheet 1 of 5)



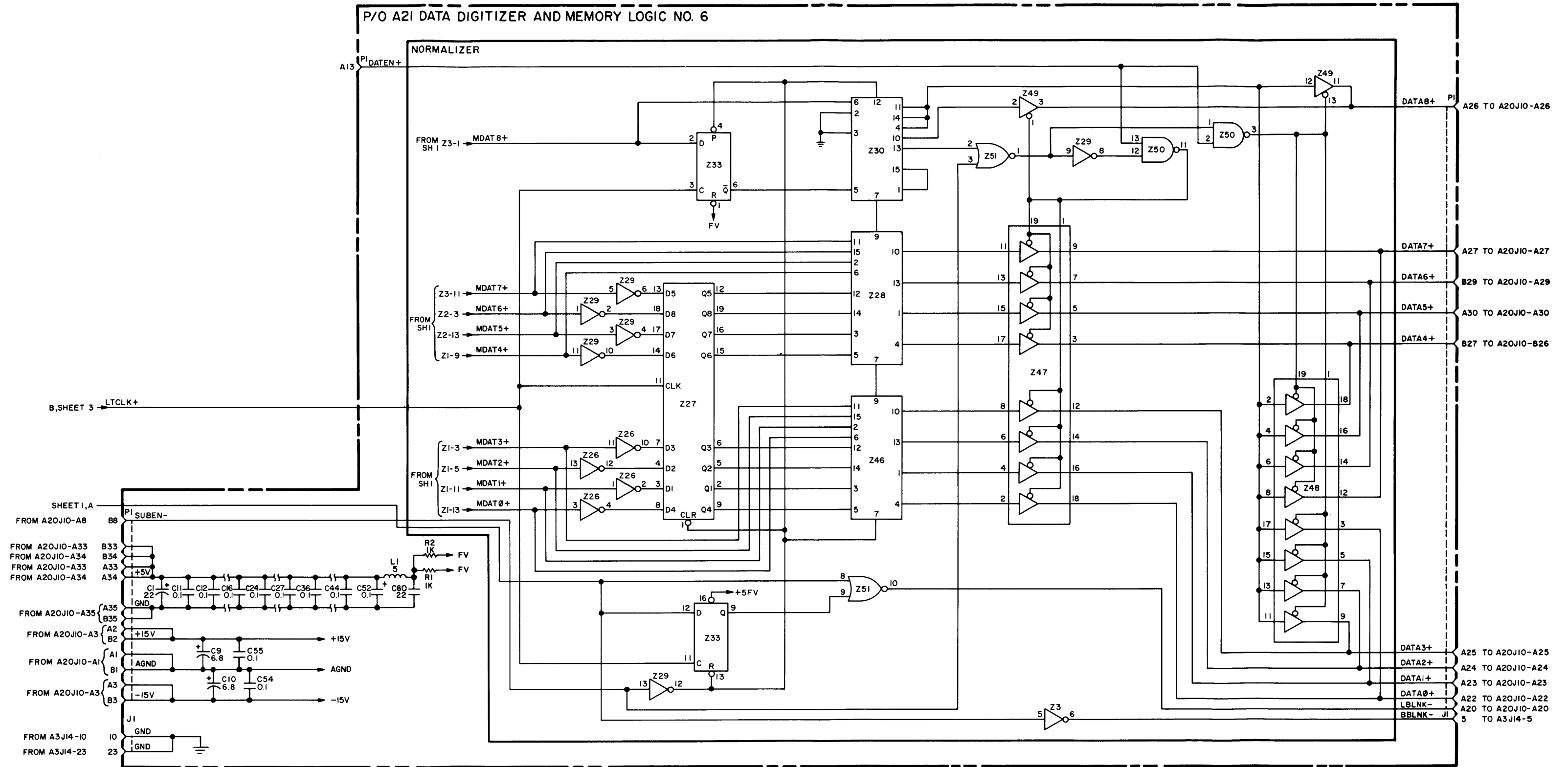


Figure 7-43. Data Digitizer and Memory Logic Printed Circuit Board 1A21, Maintenance Schematic Diagram (Sheet 2 of 5)

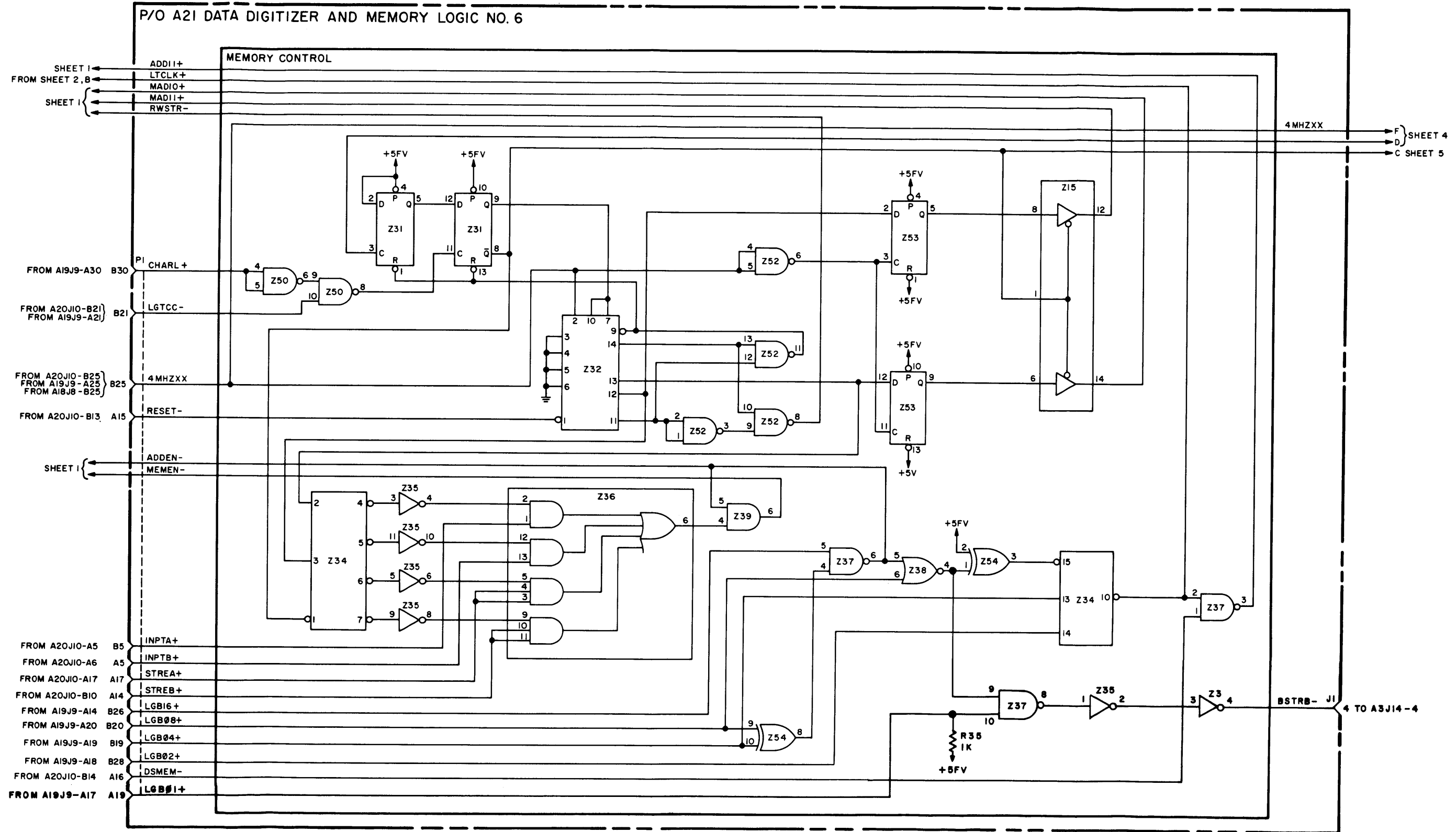


Figure 7-43. Data Digitizer and Memory Logic Printed Circuit Board 1A21, Maintenance Schematic Diagram (Sheet 3 of 5)

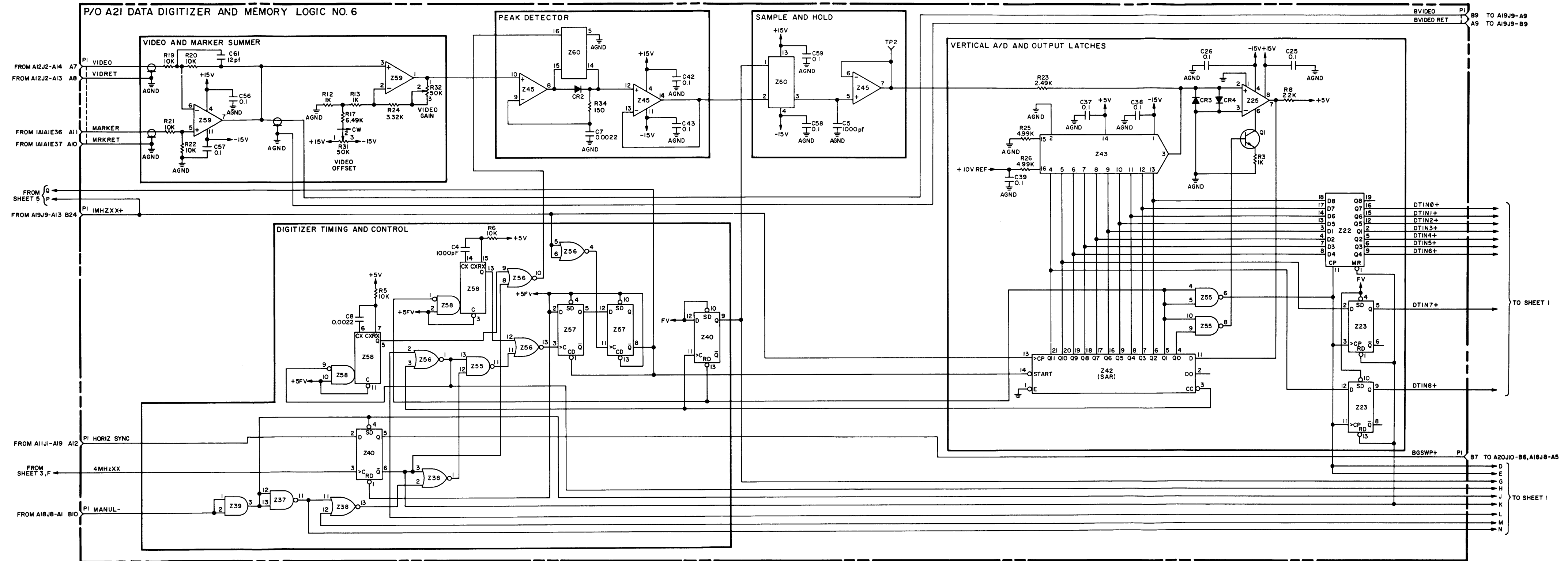


Figure 7-43. Data Digitizer and Memory Logic Printed Circuit Board 1A21, Maintenance Schematic Diagram (Sheet 4 of 5)

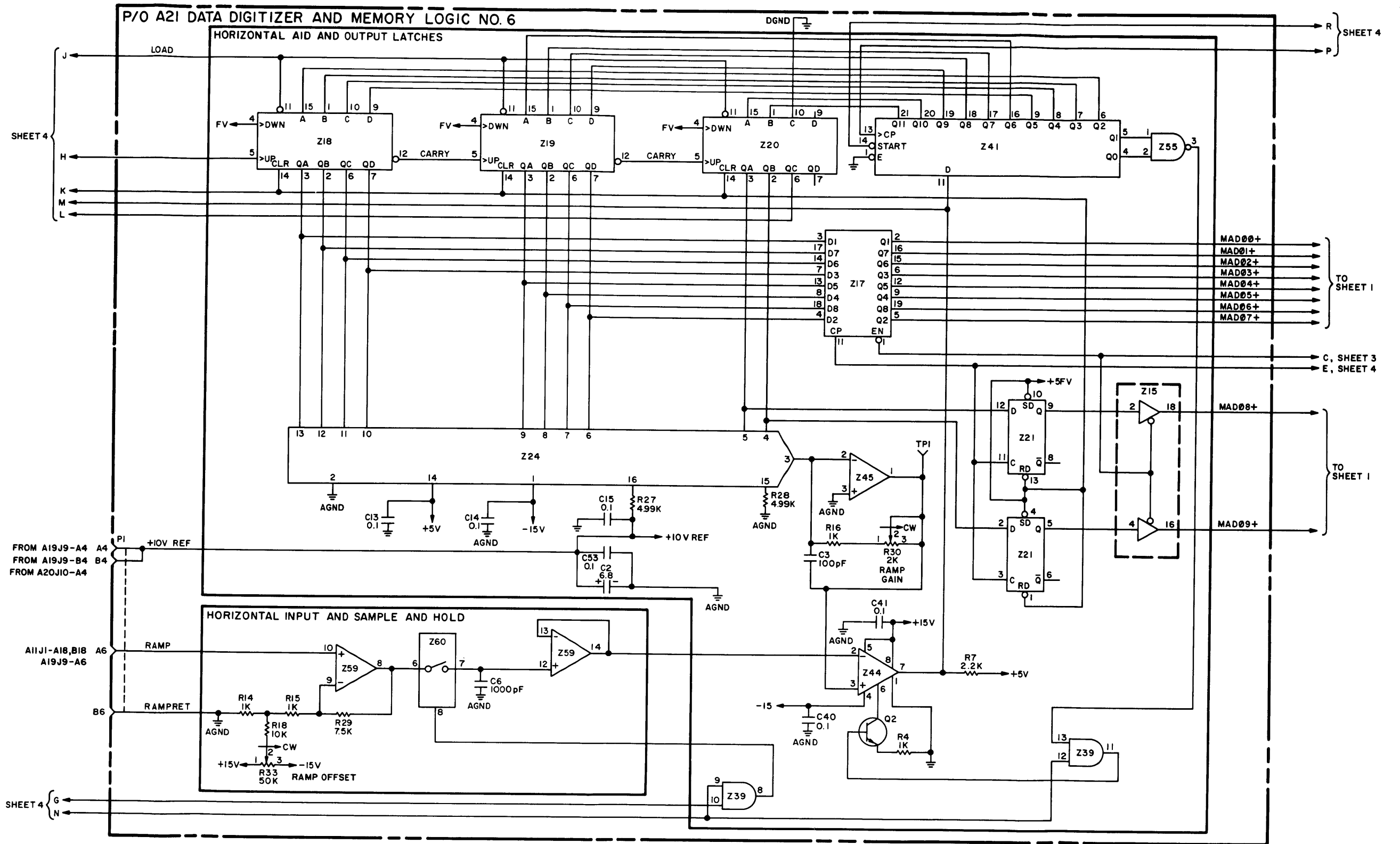
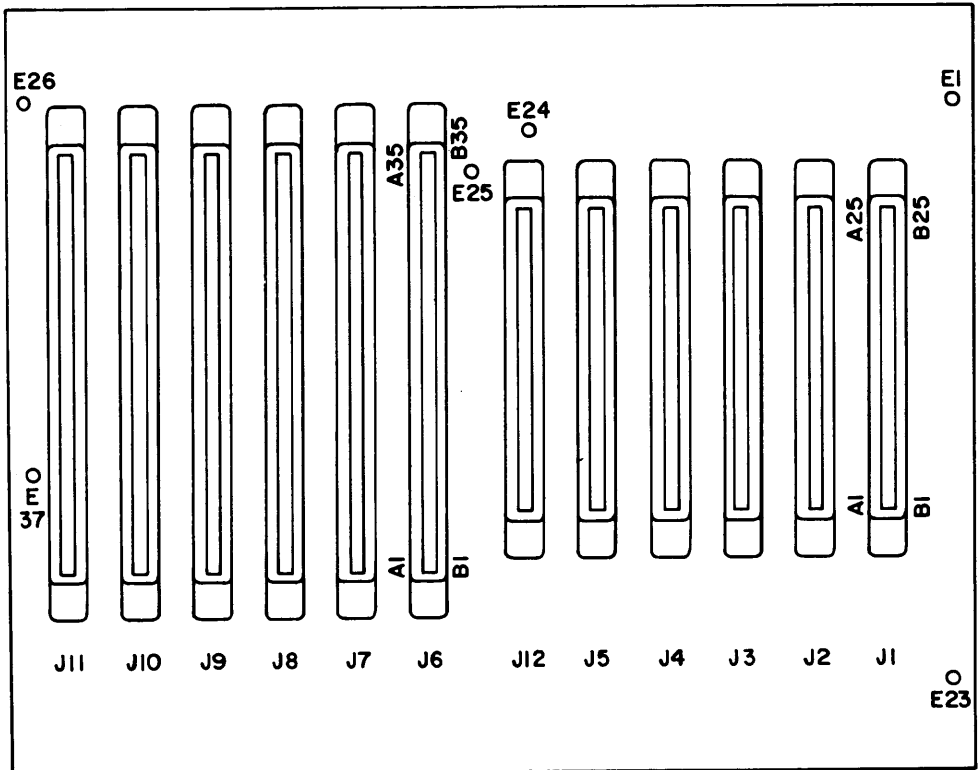


Figure 7-43. Data Digitizer and Memory Logic Printed Circuit Board 1A21, Maintenance Schematic Diagram (Sheet 5 of 5)



CONNECTOR	KEYING POSITION BETWEEN
J1	A2-A3
J2	A4-A5
J3	A6-A7
J4	A8-A9
J5	A10-A11
J6	A25-A26
J7	A27-A28
J8	A31-A32
J9	A29-A30
J10	A29-A30
J11	A31-A32
J12	-

AIAI INTERCONNECTING MOTHER BOARD

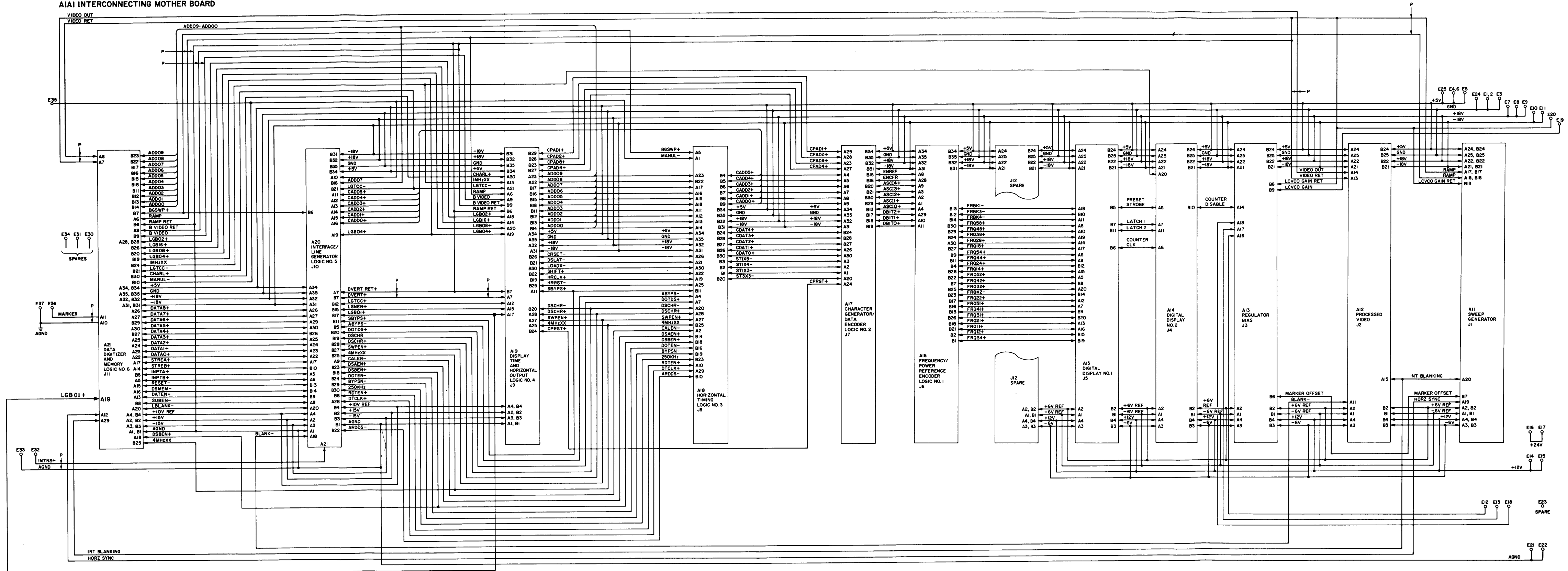


Figure 7-44. Interconnecting Mother Board, Interconnecting Schematic Diagram

Table 7-4. Wire Run List

From	To	Function	From	To	Function
1A1 INTERCONNECTING BOARD			1A2A1 SCAN WIDTH SWITCH		
1A1E7	1A4TB3-3	+18V	1A2A1S1-1F-14	1A2E1	GND
E8	1A2A4S1-1F-2	+18V	-1F-30	1A2A3S1-5R-8	
E9	1A4TB3-4	+18V SENSE	-1R-15	1A2A3S1-9R-12	
E10	1A4TB3-8	-18V	-2F-13	1A2A10J3-12	SHIELD
E11	1A4TB3-9	-18V SENSE	-2F-15	J5-37	FINE TUNING B
E12	1A1Q1-E		-2R-14	1A2A3S1-9R-4	
E13	1A1Q1-C		-3F-11	1A2A3S1-9F-11	
E16	1A4TB3-1	+24V	-3F-31	1A2A10J3-11	PHASE LOCK ENABLE
E17	1A3J13-1	LCVCO GAIN	-3F-31	1A13J1-15	PHASE LOCK ENABLE
E18	1A1Q1-B		-3F-33	1A2A3S1-8F-10	
E20		GND RET	-3R-21	C1+	
E21	1A4TB3-10	ANALOG GND	-3R-23	1A2A3S1-8F-4	
E22	1A4TB3-7	ANALOG GND	-4F-38	1A2A3S1-8R-1	
E24	1A4TB3-2	GND	-4R-21	1A1-E37	SHIELD
E25	1A4TB3-12	+5 VDC	-4R-33	1A2A3A1-TP2	
E32	1A5-Z	INTNS+	-5F-12	J5-46	-18 VDC SWITCHED (FM)
E35	1A2A6S1-3R-2	MANUAL-	-5F-30	1A13J1-36	COMB ENERGIZE A
E36	1A2A1S1-4R-21	MARKER	-5F-30	J5-20	COMB ENERGIZE A
E37		SHIELD	-5F-32	1A2A3S1-7F-2	-18V
			-5F-32	J5-50	-18V
			-5F-32	1A4TB3-8	-18V
			-5R-33	1A13J1-31	COMB RESET
			-6F-12	J5-47	+18 VDC SWITCHED
			-6F-30	J5-21	+18 VDC TO LOOP
			-6F-32	1A2A3S1-5F-12	
			-6R-1	1A2A2S1-2F-3	
			-6R-7	1A2A2S1-2R-20	
			-6R-9	1A2A2S1-2R-18	
			-6R-11	1A2A2S1-2R-16	
			-6R-13	1A2A2S1-2R-14	
			-6R-15	1A2A2S1-2R-12	
			-6R-17	1A2A2S1-1F-10	
			-6R-19	1A2A2S1-1F-8	
			-6R-21	1A2A2S1-1F-6	
			-6R-23	1A2A2S1-1F-4	
			-6R-27	1A2A2S1-1F-24	
			-6R-33	1A2A2S1-6R-15	
			-7R-1	1A17J1-18	SW1X3-
			-7R-3	1A17J1-19	SW3X3-
			-7R-5	1A17J1-20	SW1X4-
			-7R-7	1A17J1-30	SW3X4-
			-7R-9	1A17J1-26	SW1X5-
			-7R-11	1A17J1-27	SW3X5-
			-7R-13	1A17J1-28	SW1X6-
			-7R-15	1A17J1-29	SW3X6-
			-7R-17	1A17J1-25	SW1X7-
			-7R-19	1A17J1-24	SW3X7-
			-7R-21	1A17J1-23	SW1X8-
			-7R-23	1A17J1-15	SW2X8-
			-7R-25	1A17J1-17	SW5X8-
			-7R-27	1A17J1-16	SW7X8-
1A2 FRONT PANEL ASSEMBLY					
1A2E1	1A2A1S1-1F-14	GND			
	1A2A2-E1	GND			
	1A2A3A1-TP6	GND			
	1A2A3S1-5F-6	GND			
	1A2A4S1-W2	GND			
	1A2A5S1-2F-8	GND			
	1A2A6S1-2R-32	GND			
	1A2A10-E1	GND			
	1A3-E1	GND			
	1A4TB3-2	GND			
	1A4TB3-5	GND			
	J5-44	GND			

Table 7-4. Wire Run List (Continued)

From	To	Function	From	To	Function
1A2A1S2-NC1 -NC2 -W1 -W2 -W2 -W2	1A2A3S1-9R-3 1A2A2S2-NC2 1A11J1-34 1A2A2S2-W2 1A2A4-5-NC2 1A2A8J1-13	SCAN WIDTH VERNIER UNCAL UNCAL UNCAL	1A2A2S2-NC2 -W1 -W1 -W2	1A2A1S2-NC2 1A2A10J3-35 1A2R2-E3 1A2A1S2-W2	GND -6V REF -6 VDC UNCAL
1A2A2 SCAN TIME/DIV SWITCH			1A2A3 RF RANGE SWITCH		
1A2A2S1-1F-4 -1F-6 -1F-8 -1F-10 -1F-24 -1F-24 -1F-24 -1R-22 -1R-22 -2F-3 -2F-3 -2R-2 -2R-2 -2R-12 -2R-14 -2R-16 -2R-18 -2R-20 -3F-7 -3F-11 -3R-26 -3R-27 -4F-29 -4F-31 -4R-24 -6F-2 -6F-4 -6F-6 -6F-8 -6F-10 -6F-12 -6F-14 -6F-16 -6F-18 -6F-18 -6F-20 -6F-20 -6F-22 -6F-22 -6F-26 -6R-3 -6R-15 -6R-31 -6R-31	1A2A1S1-6R-23 1A2A1S1-6R-21 1A2A1S1-6R-19 1A2A1S1-6R-17 1A2A1S1-6R-27 1A2A4S1-1F-12 1A17J1-38 1A2A4S1-1R-8 1A17J1-31 1A2A1S1-6R-1 1A2A4S1-2R-10 1A2A4S1-2F-9 1A17J1-33 1A2A1S1-6R-15 1A2A1S1-6R-13 1A2A1S1-6R-11 1A2A1S1-6R-9 1A2A1S1-6R-7 1A11J1-8 1A11J1-10 1A2A6S1-2F-7 1A11J1-15 1A136 1A2A3S1-8R-8 1A11J1-14 1A17J1-10 1A17J1-12 1A17J1-13 1A17J1-14 1A17J1-35 1A17J1-36 1A17J1-37 1A18J1-4 1A2A8J1-14 1A18J1-6 1A2A8J1-15 1A18J1-7 1A2A8J1-16 1A18J1-5 1A2A4S2-W1 1A2A8J1-8 1A2A1S1-6R-33 1A2A3S1-8R-11 1A2A8J1-12	A11X3+ A11X3+ A11X3+ A11X2+ A11X2+  A11X1+   TIME RETRACE SEC RETRACE REF SWEEP OUT REF SWEEP OUT MARKER  SCAN TIME IN ST100- ST3X0- ST1X0- ST3X1- ST1X1- ST3X2- ST1X2- ST3X3- 1 MEC ST1X3- .1 MEC ST1X4- .01 MEC ST1X5-	1A2A3A1-TP1 -TP2 -TP3 -TP4 -TP4 -TP4 -TP5 -TP6  1A2A3S1-2R-6  1A2A3A2-TP2  1A2A3S1-2R-12  1A2A3A2-TP1 -TP2  1A2A3S1-3R-6  1A2A3A3-TP3  1A2A3S1-3R-12  1A2A3A3-TP3 -TP2 -TP3 -TP3  1A2A3S1-4F-2 -4R-6 -4R-12  1A2A3A4-TP1 -TP2 -TP3  1A2A3S1-5F-1 -5F-1 -5F-2 -5F-2 -5F-3 -5F-3 -5F-4 -5F-4 -5F-5	1A2R1-3 1A2A1S1-4R-33 J5-43 1A2S4-1 1A2R1-1 1A4TB3-4 J5-49 1A2E1  J5-15  J5-17  1A2A10J3-3  J5-13  J5-11  1A11J1-22 1A3J13-15  J5-23 1A14J1-5 1A14J1-4  1A14J1-3 1A2A10J3-21 1A2A10J3-33  J5-5 1A13J1-1 1A3J13-6 1A13J1-2 1A3J13-7 1A13J1-3 1A3J13-8 1A13J1-4 1A13J1-5	-18V YIG FM SWEEP +18V +18V +18V YIG FM FILT TUNE GND  SHIELD  SHIELD  0 TO 6 VDC  SHIELD GND  YIG FILT GAIN  YIG FILT GAIN  YIG OSC GAIN  YIG OSC GAIN YIG SWEEP SHIELD SHIELDED  +18 VDC DISPLAY SCOPE DISPLAY GAIN IN  DISPLAY GAIN OUT  BAND 1 VSA  BAND 2 ADJ  BAND 3 ADJ  BAND 4 ADJ  BAND 5 ADJ
1A2A2E1	1A2E1				



Table 7-4. Wire Run List (Continued)

From	To	Function	From	To	Function
1A2A3S1-5F-6	1A2E1	GND	1A2A4S1-2R-1	1A17J1-3	I1X0X+
-5F-7	1A15J1-5	BAND 1 SELECT	-2R-1	J5-33	1 KHZ FILT ENER
-5F-8	1A15J1-3	BAND 2 SELECT	* -2R-3	1A22FL1	100 HZ SELECT
-5F-9	1A15J1-4	BAND 3 SELECT	-2R-10	1A2A2S1-2F-3	
-5F-10	1A15J1-2	BAND 4 SELECT			
-5F-11	1A15J1-1	BAND 5 SELECT	1A2A4S2-NC1	1A12J1-8	NORM/FILTER VIDEO
-5F-12	1A2A1S1-6F-32	+18V			
-5R-8	1A2A1S1-1F-30		1A2A4R1-1	1A12J1-7	VAR VIDEO BW B
-6F-11	1A2S3-6		R1-3	1A12J1-5	VAR VIDEO BW A
-6F-11	J5-35	24 VDC BD 5 SEL			
-6R-7	J5-29	BAND 1 RELAY	1A2A4S2-W1	1A2A2S1-6F-26	
-6R-8	1A3J13-10		-W1	1A2A1S2-W2	
-6R-8	J5-28	BAND 2-5 RELAY			
-6R-12	1A13J1-19	BAND GAIN 1	1A2A5 VERT SCALE/DIV SWITCH		
-7F-2	1A2A1S1-5F-32		1A2A5S1-1F-2	1A17J1-1	AMPLX-
-7F-2	1A2A15S1-1	-18V	-1F-3	1A17J1-9	AMP2X-
-7F-3	1A6J1-6	001 OPTION	-1F-4	1A17J1-8	AMP5X
-7F-3	J5-22	18 VDC	-1F-5	1A17J1-7	AMP10X-
-7F-8	1A14J1-2	SIG CTR OFFSET IN	-2F-7	1A12J1-6	LIN/LOG, SEL
-7F-9	1A15R3-2	SIG CTR OFFSET	-3R-2	1A2E1	GND
-7R-3	1A13J1-9	BAND GAIN 2	-2R-1	1A12J1-4	AMPL SEL A
-8F-3	J5-1	YIG CURRENT SENSE	-2R-6	1A12J1-3	AMPL SEL B
-8F-4	1A2A1S1-3R-23		-3R-3	1A12J1-24	EXP OFFSET
-8F-10	1A2A1S1-3F-33		-3R-6	1A12J1-2	EXP GAIN
-8R-1	1A2A1S1-4F-32		-3R-7	1A2S3-4	
-8R-7	1A11J1-9	MARKER OUT	-3R-7	1A6J1-7	
-8R-8	1A2A2S1-4F-31		1A2A6 SCAN MODE SWITCH		
-8R-9	1A2A8J1-9		1A2A6S1-1F-13	1A3J3	EXT TRIGGER
-8R-11	1A2A2S1-6R-31		-1F-16	1A12J1-25	VIDEO
-9F-3	1A11J1-12	COARSE TUNING	-1F-16	1A3J6	VIDEO
-9F-4	1A2A10J3-23		-1F-19	1A4TB3-6	8V LINE TRIGGER
-9F-10	1A4TB3-1	+24V	-1F-28	1A11J1-20	SCAN MODE TRIGGER
-9F-11	1A2A1S1-3F-11		-1R-5	1A11J1-21	SCAN MODE C
-9F-11	1A2A10J3-26		-1R-20	1A11J1-16	SCAN MODE B
-9R-1	1A11J1-13		-1R-32	1A11J1-17	SCAN MODE A
-9R-3	1A2A1S2-NC1		-2F-7	1A2A2S1-3R-26	
-9R-4	1A2A1S1-2R-14		-2F-10	1A3J2	EXT SWEEP
-9R-6	J5-14	24 VDC BD 5	-2F-28	1A2A8J1-5	RAMP IN
-9R-8	1A13J1-7	+24V SWITCHED	-2R-32	1A2A8J1-4	RAMP IN
-9R-9	C1-		-2F-28	1A11J1-33	RAMP IN
-9R-12	1A2A1S1-1R-15		-2F-28	1A3J5	RAMP IN
1A2A4 IF BANDWIDTH SWITCH			-2R-28	1A12J1-12	INT BLANKING
1A2A4S1-1F-2	1A1E8	+18V	-2R-32	1A2E1	GND
-1F-10	1A17J1-39	I1X3X+	-3F-16	1A2R2-2	VIDEO TRIGGER
-1F-10	J5-7	1 MHZ FILT ENER	-3F-28	1A11J1-28	VIDEO TRIGGER
-1F-12	1A2A2S1-1F-24		-3R-2	1A1E35	MANUAL-
-1R-5	J5-8	100 KHZ FILT ENER	1A2A6R1-1	1A2A10J3-5	+6 VDC
-1R-5	1A12J1-18	VIDEO FILTER A	R1-1	1A2R2E2	
-1R-5	1A17J1-32	I1X2X+	1A2A6S2-NC	1A4TB3-10	+5V
-1R-8	1A2A2S1-1R-22				
-2F-9	1A2A2S1-2R-2				
-2F-11	1A12J1-19	VIDEO FILTER B			
-2F-11	1A17J1-34	I1X1X+			
-2F-11	J5-32	VIDEO FILTER B			
-2R-1	1A12J1-17	VIDEO FILTER C			

\*FOR 100/300 HZ FILTER OPTION

Table 7-4. Wire Run List (Continued)

From	To	Function	From	To	Function
1A2A7 CALIBRATE INDICATOR			1A2A10J1-8	1A20J1-14	LDSTR-
1A2A7-2	1A2S4-3		-9	1A20J1-12	LNCHB-
-3	1A2S5-(-)		-10	1A20J1-13	LDISB-
			-16	1A20J1-19	SAVEX+
1A2A8 BANDWIDTH PC BOARD			1A2A10J2-1	1A2A12R1-3	
1A2A8J1-1	1A17J1-5	BIX2X-	-2	1A2A12R2-3	
-2	1A17J1-6	BIX3X-	-3		SPARE
-3	1A1E4	+5V	-4		SPARE
-4	1A2A6S1-2R-32	GND	-5	1A2A12CL-2	
-5	1A2A6S1-2F-28	RAMP IN	-6	1A2A12CL-1	
-6		SPARE	-7	1A2A12R1-2	
-7		SPARE	-9	1A2A12R1-1	
-8	1A2A2S1-6R-3		-10	1A2A12R2-1	
-9	1A2A3S1-8R-9		1A2A10E1	1A2E1	GND
-10	1A11J1-2	REF SW PIN	1A2A10J3-2	1A2A15R1-3	
-11	1A11J1-35	LEVEL SHIFT	-3	1A2A3A2-TP2	
-12	1A2A2S1-6R-31		-4		SPARE
-13	1A2A1S2-W2	UNCAL	-5	1A2A6R1-1	
-14	1A2A2S1-6F-18	1 MSEC	-6	1A8-1	+6V REF
-15	1A2A2S1-6F-20	.1 MSEC	-7	1A13J1-14	+6V REF OUT
-16	1A2A2S1-6F-22	.01 MSEC	-8	1A13J1-13	+6V SENSE
-17	1A17-40	LUNCL-	-9	1A14J1-8	+6V RET
-18	1A1E5	+5V	-10		SPARE
-19	1A17J1-4	BI1X1	-11	1A2A1S1-3F-31	
-20	1A17J1-2	BI1X0	-12	1A2A1S1-2F-13	
1A2A9 5 FUNCTION PUSHBUTTON SWITCH			-16		SPARE
1A2A9J1-1	1A20J2-1	LRCLL-	-21	1A2A3A4-TP2	
-2	1A20J2-2	+5 VDC	-23	1A2A3S1-9F-4	TUNING
-3	1A20J2-3	GND	-24	1A11J1-11	TUNING
-5	1A20J2-5	BYPASS-	-25	1A14J1-1	TUNING VOLT IN
-6	1A20J2-6	BYPASS+	-26	1A3J8	TUNING IN
-7	1A20J2-7	INPUT+	-27	1A3J9	TUNING OUT
-8	1A20J2-8	INPUT-	-29	1A14J1-14	-6V REF
-9	1A20J2-9	HOLDX-	-30	1A2A15R2-1	
-10	1A20J2-10	HOLDX+	-32	1A13J1-12	-6V REF
-11	1A20J2-11	LINPT-	-33	1A2A3A4-TP3	
-12	1A20J2-12	LI-MM-	-34	1A13J1-11	-6V SENSE
-15	1A20J2-15	LBYPASS-	-35	1A2A2S2-W1	-6V REF
-16	1A20J2-16	LHOLD-	-36	1A2A3S1-9F-11	24V SWITCHED
-17	1A20J2-17	RECAL-	1A2A11 FREQUENCY READOUT PC BOARD		
-18	1A20J2-18	RECAL+	1A2A11J2-1	1A15J2-1	+5V
-19	1A20J2-19	I-MEM-	-2	1A15J2-2	
-20	1A20J2-20	I-MEM+	-3	1A15J2-3	
1A2A10 4 FUNCTION PUSHBUTTON SWITCH			-4	1A15J2-4	
1A2A10J1-1	1A20J1-6	CHAXX-	-5	1A15J2-5	
-2	1A20J1-3	+5 VDC	-6	1A15J2-6	
-3	1A20J1-5	CHBXX-	-7	1A15J2-7	
-4	1A20J1-18	RODIS+	-8	1A15J2-8	
-5	1A20J1-17	SAVEX-	-9	1A15J2-9	
-6	1A20J1-16	RDDIS-	-10	1A15J2-10	
-7	1A20J1-15	LNCHA-	-11	1A15J2-11	
			-12	1A15J2-12	

Table 7-4. Wire Run List (Continued)

From	To	Function	From	To	Function
1A2A11J2-13 -14 -16 -18 -25 -26	1A15J2-13 1A15J2-14 1A15J2-16 1A15J2-18 1A15J2-25 1A15J2-26		1A2A13B-1 -2 -3 -4 -5 -6 -7 -8 -9 -10 -C	1A6J3-14 1A6J3-2 1A6J3-18 1A6J3-17 1A6J3-4 1A6J3-16 1A6J3-3 1A6J3-15 1A6J3-1 1A6J3-21 1A6J3-8	6 dB 7 dB 8 dB 9 dB 10 dB GND
1A2A11J3-1 -2 -3 -4 -5 -6 -7 -8 -9 -10 -11 -12 -13 -14 -15 -16 -25 -26	1A15J3-1 1A15J3-2 1A15J3-3 1A15J3-4 1A15J3-5 1A15J3-6 1A15J3-7 1A15J3-8 1A15J3-9 1A15J3-10 1A15J3-11 1A15J3-12 1A15J3-13 1A15J3-14 1A15J3-15 1A15J3-16 1A15J3-25 1A15J3-26		<b>1A2A14 RF ATTENUATOR</b>		
			1A2A14S1-4 -5 -6 -7 -8 -9 -10	1A6J1-3 1A6J1-14 1A6J1-1 1A6J1-12 1A6J1-4 1A6J1-11 1A2E1	60 dB 50 dB 40 dB 30 dB 20 dB 10 dB
			<b>1A2A15 SIGNAL CENTER ASSEMBLY</b>		
			1A2A15R3-1 -2 -2 -2 -3	1A2A10J3-30 1A2A3S1-7F-9 1A11J1-23 J5-27 1A2A10J3-2	-6 VDC  SIG CENTER +6 VDC
			1A2A15S1-1 -2	1A2A3S1-7F-2 J5-2	-18 VDC LOCK DISABLE
<b>1A2A12 TUNER ASSEMBLY</b>			<b>1A2A16 BASELINE/CONTRAST ASSEMBLY</b>		
1A2A12CL-1 -2	1A2A10J2-6 1A2A10J2-5		1A2A16R1-1 -2 -3	1A14J1-6 1A12J1-9 1A14J1-7	BASELINE CLIP B BASELINE CLIP BASELINE CLIP A
1A2A12E1	1A2J5-39	FINE TUNING A	1A2A16R2-1 -2 -3	1A12J1-20 1A2A16R2-3 1A12J1-10	CONTRAST B BUS CONTRAST A
CASE	1A2J5-38	SHIELD	<b>1A2A17 CONTROL PANEL ASSEMBLY</b>		
1A2A12R1-1 -2 -3	1A2A10J2-9 1A2A10J2-7 1A2A10J2-1	WIPER CW	1A2A17J1-1 -2 -3 -4 -5 -6 -7 -8 -9 -10 -11 -12 -13 -14	} TO 1A5 CRT CONNECTOR	
1A2A12R2-1 -3	1A2A10J2-10 1A2A10J2-2				
<b>1A2A13 IF ATTENUATOR</b>					
1A2A13A-1 -2 -3 -4 -5 -6 -7 -8 -9 -10 -C	1A6J3-25 1A6J3-24 1A6J3-23 1A6J3-11 1A6J3-12 1A6J3-13 1A6J3-10 1A6J3-22 1A6J3-26 1A6J3-20 1A6J3-9	10 dB 20 dB 30 dB 40 dB 50 dB 60 dB			

Table 7-4. Wire Run List (Continued)

From	To	Function	From	To	Function
1A2R1 FREQUENCY ADJUST			1A3 REAR PANEL ASSEMBLY		
1A2R1-1 -2 -3	1A2A3A1-TP1 1A14J1-15 1A2A3A1-TP1	+18 VDC FREQ ADJ -18 VDC	1A3E1	1A4TB3-10 1A2E1 1A3J13-4	GND GND GND
1A2R2 VIDEO TRIGGER			1A3J1	1A12J1-11	EXT BLANKING
1A2R2-E2 -E3	1A2A6R1 1A2A2S1-W1	VIDEO TRIGGER LEVEL	1A3J2	1A2A6S1-2F-10	EXT SWEEP
1A2R2-1	1A2R2-E3		1A3J3	1A2A6S1-1F-13	EXT TRIGGER
-2 -3	1A2A6S1-3F-16 1A2R2-E2		1A3J4	1A12J1-21	BLANK OUT
1A2S1 POWER ON/OFF SWITCH			1A3J5	1A2A6S1-2F-28	SWEEP OUT
1A2S1-2 -3 -5 -6	1A3J16-N 1A3J16-J 1A3J16-L 1A3J16A	AC IN AC SWITCHED AC IN AC SWITCHED	1A3J6	1A2A6S1-1F-16	VIDEO REAR OUT
1A2S2 AMPLITUDE ADJUST SWITCH			1A3J8	1A2A10J3-26	TUNING IN
1A2S2-C -1 -2 -4 -8	1A6J4-5 1A6J4-3 1A6J4-2 1A6J4-6 1A6J4-1		1A3J9	1A2A10J3-27	TUNING OUT
1A2S3 PRESELECTOR SWITCH			1A3A1 HEAT SINK ASSEMBLY		
1A2S3-2 -3 -4 -5 -6 -6 -6 -6	1A2S3-4 1A2A5S1-3R-7 1A2E1 J5-41 1A2A3S1-6R-11 1A2S3-4 1A2S4-4 J5-3	24V SWITCHED 24 VDC 24 VDC 24 VDC 24 VDC	1A3A1Q1-B -C -E	1A4TB2-8 1A4TB2-7 1A4TB2-9	
			1A3A1Q2-B -C -E	1A4TB2-5 1A4TB2-4 1A4TB2-6	
			1A3A1Q3-B -C -E	1A4TB2-2 1A4TB2-1 1A4TB2-3	
1A2S4 CALIBRATE PUSHBUTTON			1A3B1 FAN		
1A2S4-2 -3 -3 -5 -5	1A2A3A1-TP4 1A2A7-2 J5-24 1A2S3-6 1A2S5-4	18 VDC  +18 VDC SWITCHED +24 VDC	1A3B1-1 -2	1A4TB1-5 1A4TB1-3	
1A2A18 RF SWITCH			1A3J13 AUXILIARY CONNECTOR		
1A2A18+  1A2A18-	1A2S4-5 1A2S5(-)  1A2E1 1A2A7-3	GND GND	1A3J13-1 -1 -3 -3 -3 -4 -4 -4 -4 -5 -5 -6 -7 -8	1A1E14 J5-9 1A1E20 J5-34 1A3J13-4 1A3E1 1A3J13-5 1A3J13-3 1A3J13-4 1A2A3A3-TP3 1A2A3S1-5F-2 1A2A3S1-5F-3 1A2A3S1-5R-5	SHIELDED LCVCO SWEEP  JUMPER GND JUMPER JUMPER JUMPER

Table 7-4. Wire Run List (Continued)

From	To	Function	From	To	Function
1A3J13-9	1A4TB3-11	+5 VDC	1A3J15-21	1A16J2-13	GND
-10	1A2A3S1-6R-8		-22	1A16J2-26	GND
-15	1A2A3A3-TP2		-23	1A16J3-8	BPR01
-16	1A4TB3-4		-24	1A16J3-16	BPR11
-20	1A4TB3-8		-25	1A16J3-7	BPR12
-24	1A4TB3-1		-26	1A16J3-4	BPR14
1A3J14 DATA OUTPUT			-27	1A16J3-6	BPR18
1A3J14-1	1A21J1-1	IN-RC+	-28	1A16J3-2	BPR21
-2	1A21J1-2	BDAT7-	-29	1A16J3-1	BPR22
-3	1A21J1-3	BDAT8-	-30	1A16J3-3	BPR24
-4	1A21J1-4	BSTRB-	-31	1A16J3-5	BPR28
-5	1A21J1-5	BBLANK	-32	1A16J3-10	GND
-6	1A21J1-6	BAD08-	-33	1A16J3-9	GND
-7	1A21J1-7	BDAT6-	-34	1A16J3-15	PRFP+
-8	1A21J1-8	BAD04-	-35	1A17J2-4	BI001
-9	1A21J1-9	GND	-36	1A17J2-7	BI000
-10	1A21J1-10	GND	-37	1A17J2-16	BAMP1
-11	1A21J1-11	BAD06-	-38	1A17J2-15	BAMPO
-12	1A21J1-12	BAD07-	-39	1A17J2-8	SWXX3
-13	1A21J1-13	BAD03-	-40	1A17J2-3	SWXX0
-14	1A21J1-14	BAD09-	-41	1A17J2-5	SWXX1
-15	1A21J1-15	CA-CB+	-42	1A17J2-6	SWXX2
-16	1A21J1-16	BDAT5-	-43	1A17J2-1	GND
-17	1A21J1-17	BDAT2-	-44	1A17J2-2	GND
-18	1A21J1-18	BDAT3-	-45	1A17J2-9	GND
-19	1A21J1-19	BDAT4-	-46	1A17J2-10	GND
-20	1A21J1-20	BDAT1-	-47	1A17J2-11	STXX3
-21	1A21J1-21	BAD05-	-48	1A17J2-12	STXX2
-22	1A21J1-22	BDAT0-	-49	1A17J2-13	STXX1
-23	1A21J1-23	GND	-50	1A17J2-14	STXX0
-24	1A21J1-24	BAD00-	1A3J16 LINE FILTER CONNECTOR		
-25	1A21J1-25	BAD01-	1A3J16-A	1A2S1-6	AC SWITCHED
-26	1A21J1-26	BAD02-	-A	1A4TB1-2	AC
1A3J15 DATA OUTPUT			-C	1A4TB1-1	
1A3J15-1	1A16J2-5	BFR11	-D	1A4TB1-3	AC
-2	1A16J2-14	BFR12	-E	1A4TB1-4	AC
-3	1A16J2-19	BFR14	-F	1A4TB1-5	AC
-4	1A16J2-24	BFR18	-J	1A2S1-3	AC SWITCHED
-5	1A16J2-6	BFR21	-L	1A2S1-5	AC IN
-6	1A16J2-1	BFR22	-N	1A2S1-2	AC IN
-7	1A16J2-18	BFR24	1A4 POWER SUPPLY		
-8	1A16J2-23	BFR28	1A4TB1-1	1A3J16-C	
-9	1A16J2-7	BFR31	-2	1A3J16-A	AC
-10	1A16J2-2	BFR32	-2	1A5AC-1	DISPLAY
-11	1A16J2-17	BFR34	-3	1A3B1-2	FAN RETURN
-12	1A16J2-22	BFR38	-3	1A3J16-D	AC
-13	1A16J2-9	BFR41	-4	1A3J16-E	AC
-14	1A16J2-4	BFR42	-4	1A5AC-2	DISPLAY
-15	1A16J2-15	BFR44	-5	1A3B1-1	FAN AC IN
-16	1A16J2-20	BFR48	-5	1A3J16-F	AC
-17	1A16J2-8	BFR51			
-18	1A16J2-3	BFR52	1A4TB2-1	1A3A1Q3-C	
-19	1A16J2-16	BFR54	-2	1A3A1Q3-B	
-20	1A16J2-21	BFR58	-3	1A3A1Q3-E	

Table 7-4. Wire Run List (Continued)

From	To	Function	From	To	Function
1A4TB2-4	1A3A1Q2-C		1A6J-5	1A4TB3-4	+18 VDC
-5	1A3A1Q2-B		* -6	1A2A3S1-7F-3	
-6	1A3A1Q2-E		-7	1A2A5S1-3R-7	
-7	1A3A1Q1-C		-10	1A4TB3-12	+5 VDC
-8	1A3A1Q1-B		-11	1A2A14S1-9	
-9	1A3A1Q1-E		-12	1A2A14S1-7	
			-14	1A2A14S1-5	
1A4TB3-1	1A1E16	+24 VDC	1A6J2-2	1A16J1-1	PRF14+
-1	1A2A3S1-9F-10	+24 VDC	-3	1A16J1-5	PRF18+
-1	1A3J13-24	+24 VDC	-4	1A16J1-12	PRF01+
-2	1A1E24	GND	-5	1A16J1-3	PRFM
-2	1A2E1	GND	-9	1A16J1-8	PRFBK
-3	1A1E7	+18.3 VDC	-12	1A16J1-6	PRF24+
-3	1A2A3A1-TP4	+18.3 VDC	-13	1A16J1-2	PRF21+
-3	1A3J13-16	+18.3 VDC	-17	1A16J1-7	PRFP
-3	1A6J1-5	+18.3 VDC	-20	1A16J1-13	PRF11+
-4		SPARE	-23	1A16J1-11	PRF12+
-5	1A3E1	GND	-25	1A16J1-4	PRF28+
-6	1A2A6S1-1F-19	8 VAC	-26	1A16J1-10	PRF22+
-7	1A1E22	AGND			
-8	1A1E10	-18.3 VDC	1A6J3-1	1A2A13B-9	9
-8	1A2A1S1-5F-32		-2	1A2A13B-2	2
-8	1A3J13-20		-3	1A2A13B-7	7
-9		SPARE	-4	1A2A13B-5	5
-10	1A1E21	AGND	-8	1A2A13B-C	GND
-10	1A3E1	GND	-9	1A2A13A-C	GND
-10	1A5GND		-10	1A2A13A-7	70
-11	1A3J13-9	+5 VDC	-11	1A2A13A-4	40
-12	1A1E25	+5 VDC	-12	1A2A13A-5	50
-12	1A2A6S2		-13	1A2A13A-6	60
-12	1A6J1-10		-14	1A2A13B-1	1 dB
1A5 DISPLAY ASSEMBLY			-15	1A2A13B-8	8 dB
1A5AC-1	1A4TB1-2		-16	1A2A13B-6	6 dB
-2	1A4TB1-4		-17	1A2A13B-4	4 dB
GND	1A4TB3-10		-18	1A2A13B-3	3 dB
X	1A19J1-1	HORIZ	-20	1A2A13A-10	100 dB
SHIELD	1A19J1-10		-21	1A2A13B-10	10 dB
Y	1A19J1-5	VERT	-22	1A2A13A-8	80 dB
SHIELD	1A19J1-6		-23	1A2A13A-3	30 dB
Z	1A1E32	INTNST	-24	1A2A13A-2	20 dB
1A6 ABSOLUTE POWER			-25	1A2A13A-10	10 dB
			-26	1A2A13A-9	90 dB
1A6J-1	1A2A14S1-6		1A6J4-1	1A2S2-8	AMP ADJ 8
-3	1A2A14S1-4		-2	1A2S2-2	AMP ADJ 2
-4	1A2A14S1-8		-3	1A2S2-1	AMP ADJ 1
			-5	1A2S2-C	+5V
			-6	1A2S2-4	AMP ADJ 4
			1A8 LOG IF AMPLIFIER		
			1A8-1	1A2A10J3-6	+6V REF
			-2	1A12J1-1	VIDEO INPUT

\*FOR 001 OPTION

Table 7-4. Wire Run List (Continued)

From	To	Function	From	To	Function
<b>1A10 RF/IF ASSEMBLY</b>			<b>1A10A1FL-4</b>		
1A10P5-1	J18-15	YIG CURRENT SENSE	1A10A1FL-10	1A10A1FL-10	1 MHZ FILT ENER
-2	J18-C	LOCK DISABLE	-5	1A10A1FL-15	+18 VDC
-3	1A10A3-2	+24 VDC	-6	1A10A1FL-16	-18 VDC
-4	1A7-2(-)	+24 VDC RETURN	-6	1A10A5FL-8	
-5	1A10A1-14	BAND 1 VSA	-7	1A10P5-33	1 KHZ FILT ENER
-6	1A10A1-11	BAND 2 VSA	-7	1A10A1FL-1	
-7	1A10A1-10	1 MHZ FILTER ENERGIZE	-8	1A10P5-32	10 KHZ FILT ENER
-8	1A10A1-9	100 KHZ FILTER ENERGIZE	-8	1A10A1FL-2	
		VCO SWEEP IN	-9	1A10P5-8	100 KHZ FILT ENER
-9	1A10A6-3	BAND 5 VSA	-9	1A10A1FL-3	
-10	1A10A1-17	YIG OSC GAIN	-10	1A10P5-7	1 MHZ FILT ENER
-11	J18-B	+6V TUNE	-10	1A10A1FL-4	
-12	J18-11	YIG FILTER GAIN	-11	1A10P5-6	BAND 2 VSA
-13	J18-4	+24V BD 5 FULL RANGE	-12	1A10P5-20	BAND 3 VSA
-14	J18-12	YIG FILTER OFFSET	-13	1A10P5-31	BAND 4 VSA
-15	J18-3	LOOP OUTPUT	-14	1A10P5-5	BAND 1 VSA
-16	J18-7	YIG OSC OFFSET	-15	1A10P5-23	+18 VDC
-17	J18-A	MIXER BIAS	-15	1A10A1FL-5	
-19	1A10A4-1	-18 VDC LOOP	-15	1A10A18-1	
-20	1A10A5-9	+18 VDC LOOP	-16	1A10P5-48	-18 VDC
-21	1A10A5-5	-18V SWITCHED 2060 OSC	-16	1A10A1FL-6	
-22	1A10A26-1	+18 VDC	-16	1A10A18-2	
-23	1A10A1-15	+18V SWITCHED	-17	1A10P5-10	BAND 5 VSA
-24	1A10A5-10	100 MHZ OSC	<b>1A10A2 YIG OSCILLATOR TUNED</b>		
-25	J18-M	+18 VDC	<b>1A10A2-1</b>	J18-N	+18 VDC
-26	J18-S	VCO BYPASS	-1	1A10A2-9	
-27	J18-2	SIGNAL CENTER	-2	J18-GND	GND
-28	1A10A7-1(+)	BD 2.5 RELAY ENER	-3	1A10A3-2	
-29	1A10A9-1(+)	BD 1 RELAY ENER	-4	1A10A2-2	24V
-30	1A10A1-12	BD 3 VSA	-4	1A10A3-3	
-31	1A10A1FL-13	BD 4 VSA	-5	J18-15	+VCO TUNE
-32	1A10A1FL-8	10 KHZ FILTER ENERGIZE	-6	J18-S	-VCO TUNE
-33	1A10A1FL-7	1 KHZ FILTER ENERGIZE	-7	J18-9	FM TUNE+
-34		SHIELD	-8	J18-F	FM TUNE-
-35	J18-J	24V BAND 5 SELECT	-9	1A10A2-1	
-36	NC		<b>1A10A3 YIG FILTER</b>		
-37	1A6-4		<b>1A10A3-1</b>	J18-5	YIG FILT TUNE+
-38	NC		-2	1A10A2-3	
-39	1A6-5		-2	1A10P5-3	+24 VDC HEATER
-40	NC		-3	1A10A2-4	
-41	1A10A33-1	24V SWITCHED	-3	1A10A10(-)	+24V RETURN
-42	NC		-4	J18-13	YIG FILT TUNE+
-43	J18-R	YIG FM SWEEP	<b>1A10A4 MIXER BIAS ASSEMBLY</b>		
-44	J18 GND	GND	<b>1A10A4-1</b>	1A10P5-19	MIXER BIAS
-45	1A10A5-1	-18V TO COMB	<b>1A10A5 LOOP CONTROL ASSEMBLY</b>		
-46	J18-K	-18V SWITCHED	<b>1A10A5-1</b>	1A10P5-45	-18V COMB
-47	J18-10	+18V SWITCHED	-2	1A10A1FL-5	+18 VDC
-48	1A10A1FL-16	-18 VDC	-2	1A10A6-2	
-49	J18-14	YIG FM FILTER TUNE	-3		SPARE
-50	J18-L	-18 VDC	-4		SPARE
<b>1A10A1 IF PROCESSOR ASSEMBLY</b>			<b>1A10A1 IF PROCESSOR ASSEMBLY</b>		
1A10A1FL-1	1A10A1FL-7	1 KHZ FILT ENER	1A10A5-1	1A10P5-45	-18V COMB
-2	1A10A1FL-8	10 KHZ FILT ENER	-2	1A10A1FL-5	+18 VDC
-3	1A10A1FL-9	100 KHZ FILT ENER	-3		
			-4		

Table 7-4. Wire Run List (Continued)

From	To	Function	From	To	Function
1A10A5-5 -6 -7 -8 -8 -9 -GND -10	1A10P5-21 J18-7 J18-6 1A10A1FL-6 1A10A6-1 1A10P5-20 J18-F 1A10P5-24	+18V LOOP OUTPUT 8 HZ OSC DISABLE -18 VDC  -18 VDC TO LOOP GND +18 VDC SWITCHED	J18-7 -7 -8 -9 -10 -11 -12 -13 -14 -15 -15 -A -B -C -C -D -E -GND -F -H -J -J -K -L -M -N -P -R -S -S	1A10A5FL-6 P5-16  1A10A2-7 P5-47 P5-12 P5-14 1A10A3-4 P5-49 P5-1 1A10A2-5 P5-17 P5-11 P5-2 1A10A30-2(-)  P5-44 1A10A2-8  P5-35 1A10A30-1(+) P5-46 P5-50 P5-25 1A10A2-1  P5-43 P5-26 1A10A2-6	LOOP OUTPUT LOOP OUTPUT SPARE FM TUNE +18V FM DRIVER +6V TUNE +24V BD 5 FULL RANGE YIG FILT TUNE YIG OSC FM TUNE YIG CURRENT SENSE  YIG OSC OFFSET YIG OSC GAIN LOCK DISABLE GND CHASSIS GND CHASSIS GND GND GND SPARE 24V BAND 5 SELECT  -18V SWITCHED (FM) -18 VDC +18 VDC +18 VDC SPARE YIG FM SWEEP VCO BYPASS VCO TUNE
1A10A6 LOCAL OSCILLATOR ASSEMBLY					
1A10A6FL-3 -4	1A10A5FL-8 1A10A5FL-2	-18 VDC +18 VDC			
1A10A6E1	1A10P5-9	LCVCO GAIN			
1A10A6E2	1A10P5-37	FINE TUNE B			
1A10A6E3	1A10P5-39	FINE TUNE A			
1A10A7 RF SWITCH					
1A10A7-1(+) -1(+) -1(+) -2(-) -2(-) -2(-)	1A10P5-28 1A10A7-2(-) 1A10A8-1(+) 1A10P5-4 1A10A7-1(+) 1A10A8-2(-)	+24V HI BAND RELAY   +24 VDC RETURN			
1A10A8 RF SWITCH					
1A10A8-1(+) -2(-) -2(-)	1A10A7-1(+) 1A10A7-2(-) 1A10A9-2(-)		1A10A18 RF AMPLIFIER ASSEMBLY		
			1A10A18-1 -1 -2 -2	1A10A1FL-15 1A10A31-2 1A10A1FL-16 1A10A31-1	+18 VDC +18 VDC -18 VDC -18 VDC
1A10A9 RF SWITCH			1A10A26 OSCILLATOR		
1A10A9-1(+) -1(+) -1(+) -2(-) -2(-) -2(-)	1A10P5-29 1A10A9-2(-) 1A10A10-1(+) 1A10A8-2(-) 1A10A9-1(+) 1A10A10-2(-)	+24V LO BAND RELAY	1A10A26-1 -1	P5-22 1A10A26	-18V SWITCHED GND
1A10A10 RF SWITCH			1A10A29 RF SWITCH		
1A10A10-1(+) -2(-) -2(-)	1A10A9-1(+) 1A10A3-3 1A10A9-2(-)		1A10A29-1(+)  -2(-)	1A10A30-1(+)  1A10A30-2(-)	+24V SWITCHED BAND 5 RELAY GND
1A10A12 YIG DRIVER ASSEMBLY			1A10A30 RF SWITCH		
J18-2 -3 -4 -5 -6	P5-27 P5-15 P5-13 1A10A3-1 1A10A5FL-7	SIGNAL CENTER YIG FILT OFFSET YIG FILT GAIN YIG FILT TUNE 8 HZ OSC DISABLE	1A10A30-1 -1(+) -1(+) -2 -2 -2(-)	1A10A29-1 J18-J 1A10A30-2(-) 1A10A29-2 J18-GND 1A10A20-1(+)	+24V SWITCHED



Table 7-4. Wire Run List (Continued)

From	To	Function	From	To	Function	
1A10A31 RF AMPLIFIER ASSEMBLY			1A12J1-7 -8 -9 -10 -11 -12 -13 -14 -15 -16 -17 -18 -19 -20 -21 -22 -23 -24 -25 -26	1A2A4R1-1	VAR VIDEO B/W B	
1A10A31-1	1A10A18-2	-18 VDC		1A2A4S2-NL	NORMAL/FILT VIDEO	
-2	1A10A18-1	+18 VDC		1A2A16R1-2	BASELINE CLIP	
1A10A33 RF SWITCH				1A2A16R2-3	CONTRAST A	
1A10A33 RF SWITCH				1A3J1	EXT BLANKING	
1A10A33-1(+)	1A10J5-41	+24V SWITCHED		1A2A6S1-2R-8	INT BLANKING	
-1(+)	1A10A33-2(-)				SPARE	
-1(+)	1A10A34-1(+)	+24V SWITCHED			SPARE	
-2(-)	1A10A33-1(+)			1A2A4S1-2R-1	VIDEO FILT C	
-2(-)	1A10A34-2(-)			1A2A4S1-1R-5	VIDEO FILT A	
-2(-)	CHASSIS GND			1A2A4S1-2F-11	VIDEO FILT B	
1A10A34 RF SWITCH				1A2A16R2-1	CONTRAST B	
1A10A34-1	1A10A33-1	24V SWITCHED		1A3J4	BLANKING OUTPUT	
-2	1A10A33-2	24V RETURN			GND	
1A11 SWEEP GENERATOR					GND	
1A11 SWEEP GENERATOR				1A2A5S1-3R-3	EXPAND OFFSET	
1A11J1-2	1A2A8J1-10	REF SWEEP IN		1A2A6S1-1F-16	VIDEO REAR	
NC	1A2A8J1-4	SHIELD			SHIELD	
1A11J1-3	J5-18	YIG CURRENT SENSE		1A13 REGULATOR BIAS		
-8	1A2A2S1-3F-7	TIME RETRACE		1A13J1-1	1A2A3S1-5F-1	BAND 1
-9	1A2A3S1-8R-7	MARKER OUT		-2	1A2A3S1-5F-2	BAND 2 ADJ
-10	1A2A2S1-3F-11	MSEC RETRACE		-3	1A2A3S1-5F-3	BAND 3 ADJ
-11	1A2A10J3-22	TUNING		-4	1A2A3S1-5F-4	BAND 4 ADJ
-12	1A2A3S1-9F-3	COARSE TUNING		-5	1A2A3S1-5F-5	BAND 5 ADJ
-13	1A2A3S1-9R-1	SCAN WIDTH		-6	J5-19	MIXER BIAS
-14	1A2A2S1-4R-24	SCAN TIME IN		-7	1A2A3S1-9R-8	+24V SWITCHED
-15	1A2A2S1-3R-26	REF SWEEP OUT	-8	J5-45	COMB ENER B	
-16	1A2A6S1-1R-20	SCAN MODE B	-9	1A2A3S1-7R-3	BAND GAIN 2	
-17	1A2A6S1-1R-32	SCAN MODE A	-11	1A2A10J3-34	-6V REF SENSE OUT	
-20	1A2A6S1-1F-28	SCAN MODE INPUT	-12	1A2A10J3-32	-6V REF OUT	
-21	1A2A6S1-1R-5	SCAN MODE C	-13	1A2A10J3-8	-6V REF SENSE OUT	
-22	1A2A3A3-TP2	YIG SWEEP	-14	1A2A10J3-7	+6V REF OUT	
-23	1A2A15R1-2	SIGNAL CENTER OFFSET	-15	1A2A1S1-3F-31	PHASE LOCK ENABLE	
-24	1A11J1-13	SHIELD GND	-16	J5-16	LOOP OUTPUT	
-25	1A11J-12	SHIELD GND	-19	1A2A3S1-6R-12	BAND GAIN 1	
-26	1A11J-14	SHIELD GND	-22	1A13J1-19	SHIELD GND	
-26	1A11J-15	SHIELD GND	-28	1A13J1-9	SHIELD GND	
-28	1A2A6S1-3F-28	VIDEO TRIGGER	-31	1A2A1S1-5R-33	COMB RESET	
-33	1A2A6S1-2F-28	RAMP IN	-32	J5-10	BAND 5 VSA	
-34	1A2A1S2-W1	SCAN WIDTH VERNIER	-33	J5-31	BAND 4 VSA	
-35	1A2A8J1-11	LEVEL SHIFT	-34	J5-30	BAND 3 VSA	
1A12 PROCESSED VIDEO			-35	J5-6	BAND 2 VSA	
1A12J1-1	1A8-2	VIDEO INPUT	-36	1A2A1S1-5F-30	COMB ENER A	
-2	1A2A5S1-3R-6	EXP GAIN	1A14 DIGITAL DISPLAY NO. 2			
-3	1A2A5S1-2R-6	AMP SELECT B	1A14J1-1	1A2A10J3-25	TUNING VOLT IN	
-4	1A2A5S1-2R-1	AMP SELECT A	-1	1A10J5-12	TUNING VOLT IN	
-5	1A2A4R1-3	VAR VIDEO B/W A	-2	1A2A3S1-7F-8	SIGNAL CENTER OFFSET	
-6	1A2A5S1-2F-7	LIN/LOG SELECT	-3	1A2A3A4-TP1	DISP GAIN OUT	
1A12 PROCESSED VIDEO			-4	1A2A3S1-4R-12	DISP GAIN IN	
1A12J1-1	1A8-2	VIDEO INPUT	-5	1A2A3S1-4R-6	DISPLAY SLOPE	
-2	1A2A5S1-3R-6	EXP GAIN	-6	1A2A16R1-1	BASELINE CLIP B	
-3	1A2A5S1-2R-6	AMP SELECT B	1A14 DIGITAL DISPLAY NO. 2			
-4	1A2A5S1-2R-1	AMP SELECT A	1A14J1-1	1A2A10J3-25	TUNING VOLT IN	
-5	1A2A4R1-3	VAR VIDEO B/W A	-1	1A10J5-12	TUNING VOLT IN	
-6	1A2A5S1-2F-7	LIN/LOG SELECT	-2	1A2A3S1-7F-8	SIGNAL CENTER OFFSET	
1A12 PROCESSED VIDEO			-3	1A2A3A4-TP1	DISP GAIN OUT	
1A12J1-1	1A8-2	VIDEO INPUT	-4	1A2A3S1-4R-12	DISP GAIN IN	
-2	1A2A5S1-3R-6	EXP GAIN	-5	1A2A3S1-4R-6	DISPLAY SLOPE	
-3	1A2A5S1-2R-6	AMP SELECT B	-6	1A2A16R1-1	BASELINE CLIP B	
-4	1A2A5S1-2R-1	AMP SELECT A	1A14 DIGITAL DISPLAY NO. 2			
-5	1A2A4R1-3	VAR VIDEO B/W A	1A14J1-1	1A2A10J3-25	TUNING VOLT IN	
-6	1A2A5S1-2F-7	LIN/LOG SELECT	-1	1A10J5-12	TUNING VOLT IN	
1A12 PROCESSED VIDEO			-2	1A2A3S1-7F-8	SIGNAL CENTER OFFSET	
1A12J1-1	1A8-2	VIDEO INPUT	-3	1A2A3A4-TP1	DISP GAIN OUT	
-2	1A2A5S1-3R-6	EXP GAIN	-4	1A2A3S1-4R-12	DISP GAIN IN	
-3	1A2A5S1-2R-6	AMP SELECT B	-5	1A2A3S1-4R-6	DISPLAY SLOPE	
-4	1A2A5S1-2R-1	AMP SELECT A	-6	1A2A16R1-1	BASELINE CLIP B	
-5	1A2A4R1-3	VAR VIDEO B/W A	1A14 DIGITAL DISPLAY NO. 2			
-6	1A2A5S1-2F-7	LIN/LOG SELECT	1A14J1-1	1A2A10J3-25	TUNING VOLT IN	
1A12 PROCESSED VIDEO			-1	1A10J5-12	TUNING VOLT IN	
1A12J1-1	1A8-2	VIDEO INPUT	-2	1A2A3S1-7F-8	SIGNAL CENTER OFFSET	
-2	1A2A5S1-3R-6	EXP GAIN	-3	1A2A3A4-TP1	DISP GAIN OUT	
-3	1A2A5S1-2R-6	AMP SELECT B	-4	1A2A3S1-4R-12	DISP GAIN IN	
-4	1A2A5S1-2R-1	AMP SELECT A	-5	1A2A3S1-4R-6	DISPLAY SLOPE	
-5	1A2A4R1-3	VAR VIDEO B/W A	-6	1A2A16R1-1	BASELINE CLIP B	
-6	1A2A5S1-2F-7	LIN/LOG SELECT	1A14 DIGITAL DISPLAY NO. 2			

Table 7-4. Wire Run List (Continued)

From	To	Function	From	To	Function
1A14J1-7	1A2A16R1-3	BASELINE CLIP A	1A15J3-15	1A2A11J3-15	
-8	1A2A10J3-9	+6V REF	-16	1A2A11J3-16	
-9		SPARE	-25	1A2A11J3-25	
-10		SPARE	-26	1A2A11J3-26	
-11		SPARE	1A16 FREQUENCY/POWER		
-12	1A14J1-5	SHIELD GND	1A16J1-1	1A6J2-2	PRF14+
-13		SPARE	-2	1A6J2-13	PRF21+
-14	1A2A10J3-29	-6V REF	-3	1A6J2-5	PRFM
-15	1A15R1-2	FREQ ADJ	-4	1A6J2-25	PRF28+
-16	1A14J1-1	GND	-5	1A6J2-3	PRF18+
1A15 DIGITAL DISPLAY NO. 1			-6	1A6J2-12	PRF24+
1A15J1-1	1A2A3S1-5F-11	BAND 5	-7	1A6J2-17	PRFP
-2	1A2A3S1-5F-10	BAND 4	-8	1A6J2-9	PRFBK
-3	1A2A3S1-5F-8	BAND 2	-9		SPARE
-4	1A2A3S1-5F-9	BAND 3	-10	1A6J2-26	PRF22+
-5	1A2A3S1-5F-7	BAND 1	-11	1A6J2-23	PRF12+
1A15J2-1	1A2A11J2-1	+5V	-12	1A6J2-4	PRF01
-2	1A2A11J2-2		-13	1A6J2-20	PRF11+
-3	1A2A11J2-3		1A16J2-1	1A3J15-6	BFR22
-4	1A2A11J2-4		-2	1A3J15-10	BFR32
-5	1A2A11J2-5		-3	1A3J15-18	BFR52
-6	1A2A11J2-6		-4	1A3J15-14	BFR42
-7	1A2A11J2-7		-5	1A3J15-1	BFR11
-8	1A2A11J2-8		-6	1A3J15-5	BFR21
-9	1A2A11J2-9		-7	1A3J15-9	BFR31
-10	1A2A11J2-10		-8	1A3J15-17	BFR51
-11	1A2A11J2-11		-9	1A3J15-13	BFR41
-12	1A2A11J2-12		-10		SPARE
-13	1A2A11J2-13		-11		SPARE
-14	1A2A11J2-14		-12		SPARE
-15		SPARE	-13	1A3J15-21	GND
-16	1A2A11J2-16		-14	1A3J15-2	BFR12
-17		SPARE	-15	1A3J15-15	BFR44
-18	1A2A11J2-18		-16	1A3J15-19	BFR54
-19		SPARE	-17	1A3J15-11	BFR34
-20		SPARE	-18	1A3J15-7	BFR24
-25	1A2A11J2-25		-19	1A3J15-3	BFR14
-26	1A2A11J2-26		-20	1A3J15-16	BFR48
1A15J3-1	1A2A11J3-1		-21	1A3J15-20	BFR58
-2	1A2A11J3-2		-22	1A3J15-12	BFR38
-3	1A2A11J3-3		-23	1A3J15-8	BFR28
-4	1A2A11J3-4		-24	1A3J15-4	BFR18
-5	1A2A11J3-5		-25		SPARE
-6	1A2A11J3-6		-26	1A3J15-22	GND
-7	1A2A11J3-7		1A16J3-1	1A3J15-29	BPR22
-8	1A2A11J3-8		-2	1A3J15-28	BPR21
-9	1A2A11J3-9		-3	1A3J15-30	BPR24
-10	1A2A11J3-10		-4	1A3J15-26	BPR14
-11	1A2A11J3-11		-5	1A3J15-31	BPR28
-12	1A2A11J3-12		-6	1A3J15-27	BPR18
-13	1A2A11J3-13		-7	1A3J15-25	BPR12
-14	1A2A11J3-14		-8	1A3J15-23	BPR01

Table 7-4. Wire Run List (Continued)

From	To	Function	From	To	Function
1A16J3-9	1A3J15-33	GND	1A17J2-7	1A3J15-36	BI000
-10	1A3J15-32	GND	-8	1A3J15-39	SWXX3
-11		SPARE	-9	1A3J15-45	GND
-12		SPARE	-10	1A3J15-46	GND
-13		SPARE	-11	1A3J15-47	STXX3
-14		SPARE	-12	1A3J15-48	STXX2
-15	1A3J15-34	PRFP+	-13	1A3J15-49	STXX1
-16	1A3J15-24	BPR11	-14	1A3J15-50	STXX0
<b>1A17 CHARACTER GENERATOR</b>			-15	1A3J15-38	BAMP0
			-16	1A3J15-37	BAMP1
			<b>1A18 HORIZONTAL TIMING</b>		
1A17J1-1	1A2A5S1-1F-2	AMPLX	1A18J1-4	1A2A2S1-6F-16	ST3X3-
-2	1A2A8J1-20	BI1X0	NC	1A2A2S2-NC2	
-3	1A2A4S1-2R-1	I1X0X+	1A18J1-5	1A2A2S1-6F-22	ST1X5-
-4	1A2A8J1-19	BI1X1	NC	1A2A2S2-NC2	
-5	1A2A8J1-1	BI1X2	1A18J1-6	1A2A2S1-6F-18	ST1X3-
-6	1A2A8J1-2	BI1X3	-7	1A2A2S1-6F-20	ST1X4-
-7	1A2A5S1-1F-5	AMP10X	<b>1A19 DISPLAY TIMING</b>		
-8	1A2A5S1-1F-4	AMP5X	1A19J1-1	1A5-X	HORIZ
-9	1A2A5S1-1F-3	AMP2X	-2		SPARE
-10	1A2A2S1-6F-2	ST100	-3		SPARE
-11	1A2A4S1-2R-3	I1-3X+	-4		SPARE
-12	1A2A2S1-6F-4	ST3X0	-5	1A5-Y	VERT
-13	1A2A2S1-6F-6	ST1X0	-6	1A5-Y	VERT RET
-14	1A2A2S1-6F-8	ST3X1	-7		SPARE
-15	1A2A1S1-7R-23	SW2X8	-8		SPARE
-16	1A2A1S1-7R-27	SW7X8	-9		SPARE
-17	1A2A1S1-7R-25	SW5X8	-10	1A5-X	HORIZ RET
-18	1A2A1S1-7R-1	SW1X3	<b>1A20 INTERFACE/LINE GENERATOR</b>		
-19	1A2A1S1-7R-3	SW3X3	1A20J1-1		GND
-20	1A2A1S1-7R-5	SW1X4	-2		GND
-21		SPARE	-3	1A2A10J1-2	+5V
-22		KEY	-4		SPARE
-23	1A2A1S1-7R-21	SW1X8	-5	1A2A10J1-3	CH BXX-
-24	1A2A1S1-7R-19	SW3X7	-6	1A2A10J1-1	CH AXX-
-25	1A2A1S1-7R-17	SW1X7	-7		MANUAL-
-26	1A2A1S1-7R-9	SW1X5	-8		SPARE
-27	1A2A1S1-7R-11	SW3X5	-9		SPARE
-28	1A2A1S1-7R-13	SW1X6	-10		SPARE
-29	1A2A1S1-7R-15	SW3X6	-11		SPARE
-30	1A2A1S1-7R-7	SW3X4	-12	1A2A10J1-9	LNCHB
-31	1A2A2S1-1R-22	A11X2+	-13	1A2A10J1-10	LDISB
-32	1A2A4S1-1R-5	I1X2X+	-14	1A2A10J1-8	LDSTR
-33	1A2A2S1-2R-2	A11X1+	-15	1A2A10J1-7	LNCHA
-34	1A2A1S1-2F-11	I1X1X+	-16	1A2A10J1-6	RDDIS
-35	1A2A2S1-6F-10	ST1X1	-17	1A2A10J1-5	SAVEX
-36	1A2A2S1-6F-12	ST3X2	-18	1A2A10J1-4	RDDIS+
-37	1A2A2S1-6F-14	ST1X2	-21	1A2A10J1-16	SAVEX+
-38	1A2A2S1-1F-24	A11X3+	1A20J2-1	1A2A9J1-1	LRCLL
-39	1A2A4S1-1F-10	I1X3X+	-2	1A2A9J1-2	+5V
-40	1A2A8J1-17	LUNCL	-3	1A2A9J1-3	GND
1A17J2-1	1A3J15-43	BUNCL-			
-2	1A3J15-44	BI002			
-3	1A3J15-40	SWXX0			
-4	1A3J15-35	BI001			
-5	1A3J15-41	SWXX1			
-6	1A3J15-42	SWXX2			

Table 7-4. Wire Run List (Continued)

From	To	Function	From	To	Function
1A20J2-4		SPARE	J5 CONNECTOR		
-5	1A2A9J1-5	BYPAS	J5-1	1A2A3S1-8F-3	YIG CURRENT SENSE
-6	1A2A9J1-6	BYPAS+	-2	1A2A15S1-2	LOCK DISABLE
-7	1A2A9J1-7	INPUT+	-3	1A2S3-1	24 VDC
-8	1A2A9J1-8	INPUT	-4	1A10J5-44	GND
-9	1A2A9J1-9	HOLDX	-5	1A2A3S1-5F-1	BAND 1 VSA
-10		SPARE	-6	1A13J1-35	BAND 2 VSA
-11	1A2A9J1-11	LINPT	-7	1A2A4S1-1F-10	1 MHZ FILT ENER
-12	1A2A9J1-12	LI-MM	-8	1A2A4S1-1R-5	100 KHZ FILT ENER
-13		SPARE	-9	1A3J13-1	LCVCO SWEEP
-14		SPARE	-10	1A13J1-32	BAND 5 VSA
-15	1A2A9J1-15	LBYP5	-11	1A2A3S1-3R-12	YIG OSC GAIN
-16	1A2A9J1-16	LHOLD	-12	1A14J1-1	TUNING VOLT IN
-17	1A2A9J1-17		-13	1A2A3S1-3R-6	YIG FILT GAIN
-18	1A2A9J1-18		-14	1A2A3S1-9R-6	24 VDC
-19	1A2A9J1-19		-15	1A2A3S1-2R-6	YIG FILT OFFSET
-20	1A2A9J1-20	HOLDX+	-16	1A13J1-16	LOOP OUTPUT
1A21 DATA DIGITIZER			-17	1A2A3S1-2R-12	YIG OFFSET
1A21J1-1	1A3J14-1		-18	1A11J1-3	YIG CURRENT SENSE
-2	1A3J14-2		-19	1A13J1-6	MIXER BIAS
-3	1A3J14-3		-20	1A2A1S1-5F-30	-18 VDC
-4	1A3J14-4		-21	1A2A1S1-6F-30	+18 VDC
-5	1A3J14-5		-22	1A2A3S1-7F-3	+18 VDC
-6	1A3J14-6		-23	1A2A3S1-4F-2	+18 VDC
-7	1A3J14-7		-23	J5-25	+18 VDC
-8	1A3J14-8		-24	1A2S4-3	+18 VDC
-9	1A3J14-9		-25	J5-23	JUMPER
-10	1A3J14-10		-26	C1-	VCO BYPASS
-11	1A3J14-11		-27	1A2A15R1-2	SIG CENTER
-12	1A3J14-12		-28	1A2A3S1-6R-8	BAND 2-5 RELAY
-13	1A3J14-13		-29	1A2A3S1-6R-7	BAND 1 RELAY
-14	1A3J14-14		-30	1A13J1-34	BAND 3 VSA
-15	1A3J14-15		-31	1A13J1-33	BAND 4 VSA
-16	1A3J14-16		-32	1A2A4S1-2F-11	10 KHZ FILT
-17	1A3J14-17		-33	1A2A4S1-2R-1	1 KHZ FILT
-18	1A3J14-18		-34	1A3J13-3	
-19	1A3J14-19		-35	1A2A3S1-6F-11	24 VDC BD 5
-20	1A3J14-20		-36		SHIELD
-21	1A3J14-21		-37	1A2A1S1-2F-15	FINE TUNE B
-22	1A3J14-22		-38		SHIELD
-23	1A3J14-23		-39	1A2A12E1	FINE TUNE A
-24	1A3J14-24		-41	1A2S3-2	24 VDC SWITCHED
-25	1A3J14-25		-42		SPARE
-26	1A3J14-26		-43	1A2A3A1-TP3	YIG FM SWEEP
C1 INTERCONNECT			-44	J5-4	GND
C1+	1A2A1S1-3R-21		-44	1A2E1	GND
C1-	1A2A3S1-9R-9		-45	1A13J1-8	COMB ENER B
C1-	J5-26	VCO BYPASS	-46	1A2A1S1-5F-12	-18 VDC SWITCHED (FM)
			-47	1A2A1S1-6F-12	+18 VDC SWITCHED (FM)
			-48	J5-50	-18 VDC
			-49	1A2A3A1-TP5	YIG FM FILT TUNE
			-50	J5-48	-18 VDC
			-50	1A2A1S1-5F-32	-18 VDC

**SECTION 8**

**REPLACEABLE PARTS LIST**

**8-1. INTRODUCTION**

8-2. This section contains the replaceable parts list for the AILTECH 757 Spectrum Analyzer. The parts list contains the reference designation, AILTECH part number, quantity, description, manufacturer's part number, and figure number where part appears.

**8-3. LIST OF MAJOR COMPONENTS**

8-4. Table 8-1 provides a list of major components for the AILTECH 757 Spectrum Analyzer. The

table gives the reference designation, name, and part number of each component.

**8-5. REPLACEABLE PARTS LIST**

8-6. Table 8-2 provides a list of replaceable parts for the AILTECH 757 Spectrum Analyzer.

**8-7. RECOMMENDED SPARE PARTS LIST**

8-8. Table 8-3 contains a listing of recommended spare parts that should be maintained in case of a failure of the AILTECH 757 Spectrum Analyzer.

Table 8-1. List of Major Components

Reference Designation	Name	Part Number
1	Spectrum Analyzer 757	296125-1
1A1	Interconnecting Board Assembly	296287-1
1A1A1	Interconnecting Motherboard Assembly	296222-1
1A2	Front Panel Assembly	296158-1
1A2A1	Scan Width Switch Assembly	299475-2
1A2A2	Scan Time Switch Assembly	296256-1
1A2A3	RF Range Switch Assembly	299302-3
1A2A4	IF Bandwidth Switch Assembly	295898-2
1A2A5	Vertical Scale Switch Assembly	295821-2
1A2A6	Scan Mode Switch Assembly	296257-1
1A2A7	Calibrate Indicator Assembly	296310-1
1A2A8	Bandwidth PC Board Assembly	296230-1

Table 8-1. List of Major Components (Continued)

Reference Designation	Name	Part Number
1A2A9	Pushbutton Switch, 5 Function	296232-1
1A2A10	Pushbutton Switch, 4 Function	296234-1
1A2A11	Frequency Readout PC Board Assembly	296026-1
1A2A12	Tuner Assembly	299137-2
1A2A13	IF Attenuator Assembly	295858-2
1A2A14	RF Attenuator Assembly	295835-1
1A2A15	Signal Center Assembly	299735-1
1A2A16	Baseline/Contrast Assembly	299364-1
1A2A17	Control Panel Assembly	296152-1
1A2A18	RF Switch	231079-1
1A3	Rear Panel Assembly	296252-1
1A4	Low Voltage Power Supply	296004-901
1A5	CRT Display Assembly	296154-1
1A6	Absolute Power Board Assembly	295852-2
1A7	Attenuator Fixed	230195-6
1A8	Log IF Amplifier Assembly	296123-1
1A8A1	Log IF Amplifier PC Assembly	296119-1
1A9	Comb Generator	230471-2
1A10	RF/IF Assembly	296225-1
1A10A1	IF Processor Assembly	296236-1
1A10A1A1	Processor PC Board Assembly	299335-3
1A10A1A2	Filter Board Assembly	230302-7
1A10A1A3	Filter Board Assembly	230302-8

**Table 8-1. List of Major Components (Continued)**

<b>Reference Designation</b>	<b>Name</b>	<b>Part Number</b>
1A10A1A4	Mixer PC Board Assembly	230627-1
1A10A1A5	IF Amplifier PC Board Assembly	230394-1
1A10A2	Yig Oscillator-Tuned	295933-1
1A10A3	Yig Filter	299463-2
1A10A4	Mixer Bias Assembly	230500-1
1A10A5	Loop Control Assembly	296237-1
1A10A5A1	Loop Control PC Board Assembly	299459
1A10A5A2	3.5 MHz Oscillator PC Board Assembly	230410-1
1A10A5A3	Comb Source PC Board Assembly	230402-1
1A10A5A4	100 MHz Oscillator PC Board Assembly	230683-1
1A10A6	Local Oscillator Assembly	296238-1
1A10A6A1	LCVCO Shaper PC Board Assembly	296455
1A10A6A2	LCVCO Oscillator II PC Board Assembly	231089-1
1A10A7	RF Switch	231079-1
1A10A8	RF Switch	231079-1
1A10A9	RF Switch	231079-1
1A10A10	RF Switch	231079-1
1A10A11	Low Pass Filter	230191-1
1A10A12	Yig Driver PC Board Assembly	299395-4
1A10A13	Microwave Mixer	230567-2
1A10A14	Attenuator Fixed	230195-5
1A10A15	Attenuator Fixed	230195-1
1A10A16	Coupler, 6 dB	230194
1A10A17	Harmonic Mixer	230478

Table 8-1. List of Major Components (Continued)

Reference Designation	Name	Part Number
1A10A18	RF Amplifier Assembly	230625
1A10A19	Coupler, 6 dB	230194
1A10A20	227 MHz Bandpass Filter	299374
1A10A21	Isolator 40 dB	230215
1A10A22	Fixed Attenuator	294468
1A10A23	Loop Mixer	230224
1A10A24	Comb Generator	230471-2
1A10A25	Fixed Attenuator	230195-3
1A10A26	2060 MHz Oscillator Assembly	230817
1A10A27	Not Used	
1A10A28	Not Used	
1A10A29	RF Switch	231079-1
1A10A30	RF Switch	231079-1
1A10A31	RF Amplifier Assembly	230625
1A10A32	Heat Sink Assembly Yig Driver	299400-2
1A10A33	RF Switch	231079-1
1A10A34	RF Switch	231079-1
1A10A35	Coupler, 6 dB	230194
1A11	Sweep Generator PC Board Assembly	296200-1
1A12	Processed Video PC Board Assembly	296202-1
1A13	Regulator Bias PC Board Assembly	296204-1
1A14	Digital Display PC Board Assembly No. 2	296206-1
1A15	Digital Display PC Board Assembly No. 1	296208-1



Table 8-1. List of Major Components (Continued)

<b>Reference Designation</b>	<b>Name</b>	<b>Part Number</b>
1A16	Frequency and Power Reference PC Board Assembly	296210-1
1A17	Character Generator and Data Encoder PC Board Assembly	296212-1
1A18	Horizontal Timing PC Board Assembly	296214-1
1A19	Display Timing and Horizontal Output PC Board Assembly	296216-1
1A20	Pushbutton Interface/Line Generator PC Board Assembly	296218-1
1A21	Data Digitizer and Memory Logic No. 6 PC Board Assembly	296220-1

Table 8-2. Replaceable Parts List

Reference Designation	AILTECH Part Number	Qty	Description	Mfr Part Number	Figure No.
1	296125-1	1	757 SPECTRUM ANALYZER	296125-1	3-1
1A1	296287-1	1	INTERCONNECTING BOARD ASSEMBLY	296287-1	
1A1A1	296222-1	1	INTERCONNECTING MOTHER BOARD	296222-1	7-44
E1	293050-2	35	TERMINAL	60753-2	
E2	293050-2		TERMINAL	60753-2	
E3	293050-2		TERMINAL	60753-2	
E4	293050-2		TERMINAL	60753-2	
E5	293050-2		TERMINAL	60753-2	
E6	293050-2		TERMINAL	60753-2	
E7	293050-2		TERMINAL	60753-2	
E8	293050-2		TERMINAL	60753-2	
E9	293050-2		TERMINAL	60753-2	
E10	293050-2		TERMINAL	60753-2	
E11	293050-2		TERMINAL	60753-2	
E12	293050-2		TERMINAL	60753-2	
E13	293050-2		TERMINAL	60753-2	
E14	293050-2		TERMINAL	60753-2	
E15	293050-2		TERMINAL	60753-2	
E16	293050-2		TERMINAL	60753-2	
E17	293050-2		TERMINAL	60753-2	
E18	293050-2		TERMINAL	60753-2	
E19	293050-2		TERMINAL	60753-2	
E20	293050-2		TERMINAL	60753-2	
E21	293050-2		TERMINAL	60753-2	
E22	293050-2		TERMINAL	60753-2	
E23	293050-2		TERMINAL	60753-2	
E24			NOT USED		
E25			NOT USED		
E26	293050-2		TERMINAL	60753-2	
E27	293050-2		TERMINAL	60753-2	
E28	293050-2		TERMINAL	60753-2	
E29	293050-2		TERMINAL	60753-2	
E30	293050-2		TERMINAL	60753-2	
E31	293050-2		TERMINAL	60753-2	
E32	293050-2		TERMINAL	60753-2	
E33	293050-2		TERMINAL	60753-2	
E34	293050-2		TERMINAL	60753-2	
E35	293050-2		TERMINAL	60753-2	
E36	293050-2		TERMINAL	60753-2	
E37	293050-2		TERMINAL	60753-2	
J1	294408-5	6	CONNECTOR	3VH25/1JDD3	
J2	294408-5		CONNECTOR	3VH25/1JDD3	
J3	294408-5		CONNECTOR	3VH25/1JDD3	
J4	294408-5		CONNECTOR	3VH25/1JDD3	
J5	294408-5		CONNECTOR	3VH25/1JDD3	
J6	294408-6	6	CONNECTOR	3VH35/1JDD3	
J7	294408-6		CONNECTOR	3VH35/1JDD3	
J8	294408-6		CONNECTOR	3VH35/1JDD3	
J9	294408-6		CONNECTOR	3VH35/1JDD3	
J10	294408-6		CONNECTOR	3VH35/1JDD3	
J11	294408-6		CONNECTOR	3VH35/1JDD3	
J12	294408-5		CONNECTOR	3VH25/1JDD3	

Table 8-2. Replaceable Parts List (Continued)

Reference Designation	AILTECH Part Number	Qty	Description	Mfr Part Number	Figure No.
1A2	296158-1	1	FRONT PANEL ASSEMBLY	296158-1	7-6
CR1	299251-001	2	DIODE	1N4009	
CR2	299251-001		DIODE	1N4009	
E1	990313-2	1	TERMINAL GND	SE26XF02	
E2	293317-2	2	TERMINAL	4870-3-0519	
E3	293317-2		TERMINAL	4870-3-0519	
R1	296251-1	1	FREQ ADJ, RESISTOR, VARIABLE	296251-1	
R2	296251-2	1	VIDEO TRIG, RESISTOR, VARIABLE	296251-2	
R3	299701-821	2	RESISTOR, 820Ω, 1/4W	RC07GF821J	
R4	299701-821		RESISTOR, 820Ω, 1/4W	RC07GF821J	
S1	296249-1	1	POWER ON/OFF, SWITCH	296249-1	
S2	296250-1	1	AMP ADJ, SWITCH	296250-1	
S3	296246-1	1	PRESELECTOR, SWITCH, SLIDE	296246-1	
S4	296247-1	1	CALIBRATE, SWITCH, PUSHBUTTON	296247-1	
S5	231079-1	1	RF SWITCH	231079-1	
W1	296124-1	1	CABLE ASSEMBLY	296124-1	
W2	298505-112	1	CABLE ASSEMBLY	298505-112	
W3	298505-93	1	CABLE ASSEMBLY	298505-93	
1A2A1	299475-2	1	SCAN WIDTH/DIV SWITCH ASSEMBLY	299475-2	
C1	299240-1	1	CAPACITOR, 6.8μF	T368B225M035AS	
E1	990203-1	1	TERMINAL, LUG	990203-1	
R1	299709-219	2	RESISTOR, 100Ω, 1/8W	RN60C1000F	
R2	299709-219		RESISTOR, 100Ω, 1/8W	RN60C1000F	
R3	299709-322	4	RESISTOR, 1K, 1/8W	RN60C1001F	
R4	299709-322		RESISTOR, 1K, 1/8W	RN60C1001F	
R5	299709-322		RESISTOR, 1K, 1/8W	RN60C1001F	
R6	299709-234	1	RESISTOR, 143Ω, 1/8W	RN60C1430F	
R7	299709-285	1	RESISTOR, 442Ω, 1/8W	RN60C4420F	
R8	299709-343	1	RESISTOR, 1.65K, 1/8W	RN60C1651F	
R9	299709-380	1	RESISTOR, 4.02K, 1/8W	RN60C4021F	
R10	299709-459	1	RESISTOR, 24.9K, 1/8W	RN60C2492F	
R11	299709-467	1	RESISTOR, 30.1K, 1/8W	RN60C3012F	
R12	299709-421	1	RESISTOR, 10K, 1/8W	RN60C1002F	
R13	299709-466	1	RESISTOR, 29.4K, 1/8W	RN60C2942F	
R14	299709-417	1	RESISTOR, 9.09K, 1/8W	RN60C9091F	
R15	299709-351	2	RESISTOR, 2K, 1/8W	RN60C2001F	
R16	299709-351		RESISTOR, 2K, 1/8W	RN60C2001F	
R17	299709-322		RESISTOR, 1K, 1/8W	RN60C1001F	
R18	299701-101	1	RESISTOR, 100Ω, 1/4W	RC07GF101J	
R19	299701-102	1	RESISTOR, 1K, 1/4W	RC07GF102J	
S1	299358-2	1	SWITCH, ROTARY	299358-2	
1A2A2	296256-1	1	SCAN TIME/DIV SWITCH ASSEMBLY	296256-1	7-8
C1	296559-103	1	CAPACITOR, 0.01μF, 5%	CK05BX103J	
C2	296560-107	1	CAPACITOR, 100μF, 10%	CS13BC107K	
C3			NOT USED		
C4	293861	1	CAPACITOR, 3.3μF, 5%	M39003/01-5020	
CR1	299251-001	2	DIODE	1N4009	
CR2			NOT USED		
CR3	299251-001		DIODE	1N4009	
E1	990203-1	1	TERMINAL, LUG	990203-1	
R1	299709-620	1	RESISTOR, 1.15 MEG, 1/8W	RN60C1154F	
R2	299709-525	1	RESISTOR, 118K, 1/8W	RN60C1183F	
R3	299709-428	1	RESISTOR, 11.8K, 1/8W	RN60C1182F	
R4	299709-520	1	RESISTOR, 105K, 1/8W	RN60C1053F	
R5	299709-471	1	RESISTOR, 33.2K, 1/8W	RN60C3322F	
R6	299709-56	1	RESISTOR, 332K, 1/8W	RN60C3323F	
R7	299709-518	1	RESISTOR, 100K, 1/8W	RN60C1003F	
R8	299709-473	1	RESISTOR, 34.8K, 1/8W	RN60C3482F	
R9	299702-104	1	RESISTOR, 100K, 1/2W	RC20GF104J	

Table 8-2. Replaceable Parts List (Continued)

Reference Designation	AILTECH Part Number	Qty	Description	Mfr Part Number	Figure No.
1A2A2R10	299709-424	1	RESISTOR, 10.7K, 1/8W	RN60C1072F	7-8
R11	299709-568	1	RESISTOR, 332K, 1/8W	RN60C3323F	
R12	299709-620	1	RESISTOR, 1.15M, 1/8W	RN60C1154F	
R13	299701-511	1	RESISTOR, 510 $\Omega$ , 1/4W	RC07GF511J	
S1	296126-1	1	SWITCH, ROTARY	296126-1	
1A2A3	299302-3	1	RF RANGE SWITCH ASSEMBLY	299302-3	7-9
R73	299709-396	1	RESISTOR, 5.49K, 1/8W, 1%	RN60C5491F	
R74	299701-823	1	RESISTOR, 82K, 1/4W, 5%	RC07GF823J	
R75	299701-124	1	RESISTOR, 120K, 1/4W, 5%	RC07GF124J	
R85	299709-421	3	RESISTOR, 10K, 1/8W, 1%	RN60C1002F	
R86	299709-421		RESISTOR, 10K, 1/8W, 1%	RN60C1002F	
R87	299701-102	1	RESISTOR, 1K, 1/4W, 5%	RC07GF102J	
R92	299709-421		RESISTOR, 10K, 1/8W, 1%	RN60C1002F	
R93	299709-391	1	RESISTOR, 4.99K, 1/8W, 1%	RN60C4991F	
R94	299709-668	1	RESISTOR, 2.50K, 1/8W, 1%	RN60C2501F	
R95	299701-472	2	RESISTOR, 4.7K, 1/4W, 1%	RC07GF472F	
R96	299701-432	1	RESISTOR, 4.3K, 1/4W, 5%	RC07GF432J	
R97	299701-472		RESISTOR, 4.7K, 1/4W, 1%	RC07GF472F	
S1	299359-1	1	SWITCH, ROTARY	299359-1	
1A2A3A1	299303-1	1	YIG FM TUNING PC BOARD	299303-1	7-9
C1	299244-1	2	CAPACITOR, .01 $\mu$ F	C023F501C103Z	
C2	299244-1		CAPACITOR, .01 $\mu$ F	C023F501C103Z	
R78	299709-421	3	RESISTOR, 10K, 1/8W, 1%	RN60C1002F	
R79	299709-421		RESISTOR, 10K, 1/8W, 1%	RN60C1002F	
R80	299709-421		RESISTOR, 10K, 1/8W, 1%	RN60C1002F	
R82	299709-351	1	RESISTOR, 2K, 1/8W, 1%	RN60C2001F	
R83	299709-391	1	RESISTOR, 4.99K, 1/8W, 1%	RN60C4991F	
R84	299709-360	1	RESISTOR, 2.49K, 1/8W, 1%	RN60C2491F	
R88	299709-329	1	RESISTOR, 1.18K, 1/8W, 1%	RN60C1181F	
TP1	294243	6	TERMINAL, SOLDER	1558-2-05	
TP2	294243		TERMINAL, SOLDER	1558-2-05	
TP3	294243		TERMINAL, SOLDER	1558-2-05	
TP4	294243		TERMINAL, SOLDER	1558-2-05	
TP5	294243		TERMINAL, SOLDER	1558-2-05	
TP6	294243		TERMINAL, SOLDER	1558-2-05	
Z1	293511	1	INTEGRATED CIRCUIT	SN72741P	
1A2A3A2	295014-2	1	YIG OFFSETS PC BOARD	295014-2	7-9
R22	299709-239	1	RESISTOR, 162 $\Omega$ , 1/8W, 1%	RN60C1620F	
R23	299745-4	2	RESISTOR, VARIABLE, 100 $\Omega$	3009P-1-101	
R24	299709-330	1	RESISTOR, 1.21K, 1/8W, 1%	RN60C1211F	
R25	299709-276	1	RESISTOR, 3.74 $\Omega$ , 1/8W, 1%	RN60C3740F	
R26	299745-6	8	RESISTOR, VARIABLE, 500 $\Omega$	3009P-1-501	
R27	299709-360	1	RESISTOR, 2.49K, 1/8W, 1%	RN60C2491F	
R28	299709-280	1	RESISTOR, 412 $\Omega$ , 1/8W, 1%	RN60C4120F	
R29	299745-6		RESISTOR, VARIABLE, 500 $\Omega$	3009P-1-501	
R30	299709-357	1	RESISTOR, 2.32K, 1/8W, 1%	RN60C2321F	
R31	299709-230	1	RESISTOR, 130 $\Omega$ , 1/8W, 1%	RN60C1300F	
R32	299745-6		RESISTOR, VARIABLE, 500 $\Omega$	3009P-1-501	
R33	299709-362	2	RESISTOR, 2.61K, 1/8W, 1%	RN60C2611F	
R34	299709-222	1	RESISTOR, 107 $\Omega$ , 1/8W, 1%	RN60C1070F	
R35	299745-6		RESISTOR, VARIABLE, 500 $\Omega$	3009P-1-501	
R36	299709-362		RESISTOR, 2.61K, 1/8W, 1%	RN60C2611F	
R37	299709-288	1	RESISTOR, 475 $\Omega$ , 1/8W, 1%	RN60C4750F	
R38	299745-4		RESISTOR, VARIABLE, 100 $\Omega$	3009P-1-101	

Table 8-2. Replaceable Parts List (Continued)

Reference Designation	AILTECH Part Number	Qty	Description	Mfr Part Number	Figure No.	
1A2A3A2R39	299709-333	1	RESISTOR, 1.3K, 1/8W, 1%	RN60C1301F	7-9	
R40	299709-305	1	RESISTOR, 681Ω, 1/8W, 1%	RN60C6810F		
R41	299745-6		RESISTOR, VARIABLE, 500Ω	3009P-1-501		
R42	299709-368	1	RESISTOR, 3.01K, 1/8W, 1%	RN60C3011F		
R43	299709-347	1	RESISTOR, 1.82K, 1/8W, 1%	RN60C1821F		
R44	299745-6		RESISTOR, VARIABLE, 500Ω	3009P-1-501		
R45	299709-357	1	RESISTOR, 2.32K, 1/8W, 1%	RN60C2321F		
R46	299709-389	1	RESISTOR, 4.75K, 1/8W, 1%	RN60C4751F		
R47	299745-6		RESISTOR, VARIABLE, 500Ω	3009P-1-501		
R48	299709-350	1	RESISTOR, 1.96K, 1/8W, 1%	RN60C1961F		
R49	299709-405	1	RESISTOR, 6.81K, 1/8W, 1%	RN60C6811F		
R50	299745-6		RESISTOR, VARIABLE, 500Ω	3009P-1-501		
R51	299709-350		RESISTOR, 1.96K, 1/8W, 1%	RN60C1961F		
TP1	294243	2	TERMINAL, SOLDER	1558-2-05		
TP2	294243		TERMINAL, SOLDER	1558-2-05		
1A2A3A3	299304-1	1	YIG GAINS PC BOARD	299304-1		7-9
R4	299709-351	2	RESISTOR, 2K, 1/8W, 1%	RN60C2001F		
R5	299709-351		RESISTOR, 2K, 1/8W, 1%	RN60C2001F		
R6	299709-322	4	RESISTOR, 1K, 1/8W, 1%	RN60C1001F		
R7	299709-322		RESISTOR, 1K, 1/8W, 1%	RN60C1001F		
R8	299709-322		RESISTOR, 1K, 1/8W, 1%	RN60C1001F		
R9	299709-322		RESISTOR, 1K, 1/8W, 1%	RN60C1001F		
R13	299709-368	4	RESISTOR, 3.01K, 1/8W, 1%	RN60C3011F		
R14	299745-6	4	RESISTOR, VARIABLE, 500Ω	3009P-1-501		
R15	299709-346	4	RESISTOR, 1.78K, 1/8W, 1%	RN60C1781F		
R16	299709-368		RESISTOR, 3.01K, 1/8W, 1%	RN60C3011F		
R17	299745-6		RESISTOR, VARIABLE, 500Ω	3009P-1-501		
R18	299709-346		RESISTOR, 1.78K, 1/8W, 1%	RN60C1781F		
R19	299709-368		RESISTOR, 3.01K, 1/8W, 1%	RN60C3011F		
R20	299745-6		RESISTOR, VARIABLE, 500Ω	3009P-1-501		
R21	299709-346		RESISTOR, 1.78K, 1/8W, 1%	RN60C1781F		
R89	299745-6		RESISTOR, VARIABLE, 500Ω	3009P-1-501		
R90	299709-368		RESISTOR, 3.01K, 1/8W, 1%	RN60C3011F		
R91	299709-346		RESISTOR, 1.78K, 1/8W, 1%	RN60C1781F		
TP1	294243	2	TERMINAL, SOLDER	1558-2-05		
TP2	294243		TERMINAL, SOLDER	1558-2-05		
1A2A3A4	231028-2	1	DIGITAL DISPLAY PC BOARD	231028-2	7-9	
R10	299745-6	5	RESISTOR, VARIABLE, 500Ω	3009P-1-501		
R11	299709-547	1	RESISTOR, 200K, 1/8W, 1%	RN60C2003F		
R12	299709-376	5	RESISTOR, 3.65K, 1/8W, 1%	RN60C3651F		
R52	299745-8	2	RESISTOR, VARIABLE, 2K	3009P-1-202		
R53	299709-398	1	RESISTOR, 5.76K, 1/8W, 1%	RN60C5761F		
R54	299745-9	1	RESISTOR, VARIABLE, 5K	3009P-1-502		
R55	299709-418	1	RESISTOR, 9.31K, 1/8W, 1%	RN60C9311F		
R56	299745-10	2	RESISTOR, VARIABLE, 10K	3009P-1-103		
R57	299709-409	1	RESISTOR, 7.5K, 1/8W, 1%	RN60C7501F		
R58	299745-10		RESISTOR, VARIABLE, 10K	3009P-1-103		
R59	299709-454	1	RESISTOR, 22.1K, 1/8W, 1%	RN60C2212F		
R60	299745-6		RESISTOR, VARIABLE, 500Ω	3009P-1-501		
R61	299709-523	1	RESISTOR, 113K, 1/8W, 1%	RN60C1133F		
R62	299709-376		RESISTOR, 3.65K, 1/8W, 1%	RN60C3651F		
R63	299745-6		RESISTOR, VARIABLE, 500Ω	3009P-1-501		
R64	299709-506	1	RESISTOR, 75K, 1/8W, 1%	RN60C7502F		
R65	299709-376		RESISTOR, 3.65K, 1/8W, 1%	RN60C3651F		

Table 8-2. Replaceable Parts List (Continued)

Reference Designation	AILTECH Part Number	Qty	Description	Mfr Part Number	Figure No.	
1A2A3A4R66	299745-6		RESISTOR, VARIABLE, 500Ω	3009P-1-501	7-9	
R67	299709-492	1	RESISTOR, 53.6K, 1/8W, 1%	RN60C5362F		
R68	299709-376		RESISTOR, 3.65K, 1/8W, 1%	RN60C3651F		
R69	299745-6		RESISTOR, VARIABLE, 500%	3009P-1-501		
R70	299709-469	1	RESISTOR, 31.6K, 1/8W, 1%	RN60C3162F		
R71	299709-376		RESISTOR, 3.65K, 1/8W, 1%	RN60C3651F		
R72	299745-8		RESISTOR, VARIABLE, 2K	3009P-1-202		
R81	299709-403	1	RESISTOR, 6.49K, 1/8W, 1%	RN60C6491F		
TP1	294243	3	TERMINAL, SOLDER	1558-2-05		
TP2	294243		TERMINAL, SOLDER	1558-2-05		
TP3	294243		TERMINAL, SOLDER	1558-2-05		
1A2A4	295898-2	1	IF BANDWIDTH SWITCH ASSEMBLY	295898-2		7-10
S1	295829-1	1	ROTARY SWITCH	295829-1		
1A2A5	295821-2	1	VERTICAL SCALE SWITCH ASSEMBLY	295821-2	7-11	
R1	299709-150	1	RESISTOR, 45.3Ω, 1/8W	RN60C45R3F		
R2	299709-252	1	RESISTOR, 221Ω, 1/8W	RN60C2210F		
S1	295806-1	1	SWITCH, ROTARY	295806-1		
1A2A6	296257-1	1	SCAN MODE SWITCH ASSEMBLY	296257-1	7-12	
C1	293721	1	CAPACITOR, 430μF,8V	109D437X008T2		
E1	990203-1	2	TERMINAL, LUG	990203-1		
E2	990203-1		TERMINAL, LUG	990203-1		
R2	299701-201	1	RESISTOR, 200Ω, 1/4W	RC07GF201J		
S1	296023-1	1	SWITCH, ROTARY	296023-1		
1A2A7	296310-1	1	CALIBRATE INDICATOR ASSEMBLY	296310-1	7-13	
CR1	296248-3	1	DIODE	HLMP-1301-4684		
E1	293320-2	3	TERMINAL, STUD	293320-2		
E2	293320-2		TERMINAL, STUD	293320-2		
E3	293320-2		TERMINAL, STUD	293320-2		
R10	299701-132	1	RESISTOR, 1.3K, 1/4W	RC07GF132J		
1A2A8	296230-1	1	BANDWIDTH PC BOARD ASSEMBLY	296230-1	7-13	
CR1	296248-2	6	DIODE, LED	1401(-4584)		
CR2	296248-2		DIODE, LED	1401(-4584)		
CR3	296248-3	1	DIODE, LED	1501(4984)		
CR4	299251-901	4	DIODE	1N4009		
CR5	299251-901		DIODE	1N4009		
CR6	299251-901		DIODE	1N4009		
CR7	299251-901		DIODE	1N4009		
CR8	296248-2		DIODE	1401(-4584)		
CR9	296248-2		DIODE	1401(-4584)		
CR10	296248-2		DIODE	1401(-4584)		
CR11	296248-2		DIODE	1401(-4584)		
J1	299934-3	1	CONNECTOR, HEADER, 20 PIN	1-87227-0		
R1	299700-241	7	RESISTOR, 240Ω, 1/8W, 5%	RC05GF241J		
R2	299700-241		RESISTOR, 240Ω, 1/8W, 5%	RC05GF241J		
R3	299700-241		RESISTOR, 240Ω, 1/8W, 5%	RC05GF241J		
R4	299700-241		RESISTOR, 240Ω, 1/8W, 5%	RC05GF241J		
R5	299700-241		RESISTOR, 240Ω, 1/8W, 5%	RC05GF241J		
R6	299700-241		RESISTOR, 240Ω, 1/8W, 5%	RC05GF241J		
R7	299700-241		RESISTOR, 240Ω, 1/8W, 5%	RC05GF241J		
S1	296288-1	1	SWITCH, SLIDE, 4PDT	MSS4200		

Table 8-2. Replaceable Parts List (Continued)

Reference Designation	AILTECH Part Number	Qty	Description	Mfr Part Number	Figure No.	
1A2A9	296232-1	1	PUSHBUTTON SWITCH ASSEMBLY, 5 FUNCTION	296232-1	7-14	
CR1	296258-1	5	DIODE, LED	296258-1		
CR2	296258-1		DIODE, LED	296258-1		
CR3	296258-1		DIODE, LED	296258-1		
CR4	296258-1		DIODE, LED	296258-1		
CR5	296258-1		DIODE, LED	296258-1		
J1	299934-3	1	CONNECTOR, HEADER, 20 PIN	1-87227-0		
R1	299700-241	5	RESISTOR, 240Ω, 1/8W, 5%	RC05GF241J		
R2	299700-241		RESISTOR, 240Ω, 1/8W, 5%	RC05GF241J		
R3	299700-241		RESISTOR, 240Ω, 1/8W, 5%	RC05GF241J		
R4	299700-241		RESISTOR, 240Ω, 1/8W, 5%	RC05GF241J		
R5	299700-241		RESISTOR, 240Ω, 1/8W, 5%	RC05GF241J		
S1	296247-3	5	SWITCH, PUSHBUTTON	PB17-5		
S2	296247-3		SWITCH, PUSHBUTTON	PB17-5		
S3	296247-3		SWITCH, PUSHBUTTON	PB17-5		
S4	296247-3		SWITCH, PUSHBUTTON	PB17-5		
S5	296247-3		SWITCH, PUSHBUTTON	PB17-5		
1A2A10	296234-1	1	PUSHBUTTON SWITCH ASSEMBLY, 4 FUNCTION	296234-1		7-15
C1	293721	2	CAPACITOR, 430μF,8V	109D437X0008T2		
C2	115307-10	2	CAPACITOR, 100μF	TE1211		
C3	293721		CAPACITOR, 430μF,8V	109D437X0008T2		
C4	115307-10		CAPACITOR, 100μF	TE1211		
E1	293050-1	1	TERMINAL	61137-1		
J1	299935-1	1	CONNECTOR, HEADER, 16 PIN	87230-8		
J2	294213-1	1	CONNECTOR, HEADER, 10 PIN	87230-5		
J3	294454-1	1	CONNECTOR, HEADER, 36 PIN	87230-8		
R1	299700-241	4	RESISTOR, 240Ω, 1/8W, 5%	RC05GF241J		
R2	299700-241		RESISTOR, 240Ω, 1/8W, 5%	RC05GF241J		
R3	299700-241		RESISTOR, 240Ω, 1/8W, 5%	RC05GF241J		
R4	299700-241		RESISTOR, 240Ω, 1/8W, 5%	RC05GF241J		
R5	299702-560	2	RESISTOR, 56Ω, 1/2W	RC20GF560J		
R6	299702-560		RESISTOR, 56Ω, 1/2W	RC20GF560J		
S1	296247-2	4	SWITCH, PUSHBUTTON	296247-2		
S2	296247-2		SWITCH, PUSHBUTTON	296247-2		
S3	296247-2		SWITCH, PUSHBUTTON	296247-2		
S4	296247-2		SWITCH, PUSHBUTTON	296247-2		
1A2A11	296026-1	1	FREQUENCY READOUT PC BOARD ASSEMBLY	296026-1	7-16	
J2	299932	2	CONNECTOR, HEADER, 26 PIN	1-87227-3		
J3	299932		CONNECTOR, HEADER, 26 PIN	1-87227-3		
XZ1	294573-1	5	SOCKET, 14 PIN	C931410		
XZ2	294573-1		SOCKET, 14 PIN	C931410		
XZ3	294573-1		SOCKET, 14 PIN	C931410		
XZ4	294573-1		SOCKET, 14 PIN	C931410		
XZ5	294573-1		SOCKET, 14 PIN	C931410		
Z1	293212-1	5	LED DISPLAY	5082-7730		
Z2	293212-1		LED DISPLAY	5082-7730		
Z3	293212-1		LED DISPLAY	5082-7730		
Z4	293212-1		LED DISPLAY	5082-7730		
Z5	293212-1		LED DISPLAY	5082-7730		
1A2A12	299137-2	1	TUNER ASSEMBLY	299137-2		7-17
CL1	293300	2	TERMINAL	011-2000-000-479		
CL2	293300		TERMINAL	011-2000-000-479		
CR1	299251-1	2	DIODE	1N4009		

Table 8-2. Replaceable Parts List (Continued)

Reference Designation	AILTECH Part Number	Qty	Description	Mfr Part Number	Figure No.
1A2A12CR2	299251-1		DIODE	1N4009	7-17
E1	293317	1	TERMINAL	4862-1-0519	
P1	299946	1	CONNECTOR, 10 PIN	1-86148-2	
R1	299793	1	POTENTIOMETER, 5K	3400S-1-502	
R2	294753-2	1	POTENTIOMETER, 5K	8146-R5K-L.25SS	
R3	299701-512	1	RESISTOR, 5.1K, 1/4W	RC07GF512J	
1A2A13	295858-3	1	IF ATTENUATOR ASSEMBLY	295858-3	7-18
P3	294410	1	CONNECTOR	86905-1	
W1	294881		CABLE	455-044-26	
1A2A14	295835-2	1	RF ATTENUATOR ASSEMBLY	295835-2	7-19
MP1	293648	1	SWITCH, ROTARY	71B36-01-1-10N-F	
MP2	294179	1	COUPLING, FLEXIBLE	A-201-5 TINY MITE	
MP3	295668	1	SHAFT	295668	
1A2A15	299735-1	1	SIGNAL CENTER ASSEMBLY	299735-1	7-6
1A2A16	299364-1	1	BASELINE/CONTRAST ASSEMBLY	299364-1	7-6
1A2A17	296152-1	1	CONTROL PANEL ASSEMBLY	296152-1	7-6
1A2A18	231079-1	1	RF SWITCH	919C74700	7-6
1A3	296252-1	1	REAR PANEL ASSEMBLY	296252-1	3-2
B1	294977-1	1	FAN, AXIAL	M747	
FL1	294695	1	FILTER, LINE	6J4	
J1	294336	8	CONNECTOR, BNC	UG1094U/Z	
J2	294336		CONNECTOR, BNC	UG1094U/Z	
J3	294336		CONNECTOR, BNC	UG1094U/Z	
J4	294336		CONNECTOR, BNC	UG1094U/Z	
J5	294336		CONNECTOR, BNC	UG1094U/Z	
J6	294336		CONNECTOR, BNC	UG1094U/Z	
J7	293063	1	HOLE PLUG	653	
J8	294336		CONNECTOR, BNC	UG1094U/Z	
J9	294336		CONNECTOR, BNC	UG1094U/Z	
J10	298505-115	1	CABLE ASSEMBLY		
J11			NOT USED		
J12	298505-117	1	CABLE ASSEMBLY	250-3953	
MP1	294947	1	PLUG AND CORD	16-415	
1A3A1	296004-902	1	HEAT SINK ASSEMBLY	296004-902	3-2
1A4	296004-901	1	LOW VOLTAGE POWER SUPPLY	296004-901	7-20
C1		1	CAPACITOR, 14K, 20V	CGS1434020R3L3PH	
C2		2	CAPACITOR, 3700, 35V	CGS3724035N3L3PS	
C3			CAPACITOR, 3700, 35V	CGS3724035N3L3PS	
C5		1	CAPACITOR, 2K, 60V	CGS2024060N3L3PS	
Q5		1	TRANSISTOR	TIP-121	
S1		1	SWITCH, THERMAL	SW701	
T1		1	TRANSFORMER	T1213A	
TB1		1	TERMINAL BLOCK, 6 PIN	6003/4ST-6	
TB2		1	TERMINAL BLOCK, 9 PIN	1031-9	
1A4A1		1	PC BOARD	218A	7-20
C6		8	CAPACITOR, .01, 80V		
C7			CAPACITOR, .01, 80V		



Table 8-2. Replaceable Parts List (Continued)

Reference Designation	AILTECH Part Number	Qty	Description	Mfr Part Number	Figure No.	
1A4A1C8	294131	4	CAPACITOR, TANTALUM 15, 20V		7-20	
C9		1	CAPACITOR, AXIAL 100, 16V			
C10			CAPACITOR, .01, 80V			
C11			CAPACITOR, .01, 80V			
C12			CAPACITOR, TANTALUM 15, 20V			
C13		2	CAPACITOR, AXIAL 22, 25V			
C14			CAPACITOR, .01, 80V			
C15			CAPACITOR, .01, 80V			
C16			CAPACITOR, TANTALUM 15, 20V			
C17			CAPACITOR, AXIAL 22, 25V			
C18			CAPACITOR, .01, 80V			
C19			CAPACITOR, .01, 80V			
C20			CAPACITOR, TANTALUM 15, 20V			
C21			CAPACITOR, AXIAL 22, 40V			
C22			CAPACITOR, .1, 25V			
C23			CAPACITOR, TANTALUM 3.3, 15V			
C24			CAPACITOR, TANTALUM 3.3, 15V			
CR18		1	DIODE, ZENER			1N749A
CR19		8	DIODE			1N4004
CR20			DIODE			1N4004
CR21		1	DIODE, ZENER			1N967B
CR22			DIODE			1N4004
CR23			DIODE			1N4004
CR24			DIODE, ZENER			1N967B
CR25			DIODE			1N4004
CR26			DIODE			1N4004
CR27		1	DIODE, ZENER			1N970A
CR28			DIODE			1N4004
CR29			DIODE			1N4004
A4Q1		3	TRANSISTOR			2N6385
Q2		1	TRANSISTOR			2N3053
Q3			TRANSISTOR			2N6385
Q4			TRANSISTOR			2N6385
R1			RESISTOR			
R2		2	RESISTOR, 4.7K			
R3		5	RESISTOR, 1K, 1/4W			
R4		4	RESISTOR, 22K, 1/4W			
R5			RESISTOR, 1K, 1/4W			
R6			RESISTOR			
R7		1	RESISTOR, 0.1Ω, 3W			
R8			RESISTOR, 2.2K, 1/4W			
R9		7	RESISTOR, 2.2K, 1/4W			
R10	4	RESISTOR, 3.01K				
R11	8	POTENTIOMETER, 1K	PT10H2.5			
R12	1	RESISTOR, 866Ω				
R13		RESISTOR, 4.7K, 1/4W				
R14		POTENTIOMETER, 1K	PT10H2.5			
R15	1	RESISTOR, 2.7K, 1/4W				
R16	4	RESISTOR, 470Ω, 1/4W				
R17		RESISTOR				
R18	3	RESISTOR, 10K, 1/4W				
R19	1	RESISTOR, 270Ω, 1/4W				
R20		RESISTOR, 22K, 1/4W				
R21		RESISTOR, 1K, 1/4W				
R22	1	RESISTOR, 0.2Ω, 3W				

Table 8-2. Replaceable Parts List (Continued)

Reference Designation	AILTECH Part Number	Qty	Description	Mfr Part Number	Figure No.	
1A4A1A4R23			RESISTOR		7-20	
R24		2	RESISTOR, 4.75K	PT10H2.5		
R25			POTENTIOMETER, 1K			
R26			RESISTOR, 3.01K	PT10H2.5		
R27		2	RESISTOR, 13.2K			
R28			POTENTIOMETER, 1K	PT10H2.5		
R29		3	RESISTOR, 1.5K, 1/4W			
R30			RESISTOR, 470Ω	PT10H2.5		
R31			RESISTOR			
R32		3	RESISTOR, 10K, 1/4W	PT10H2.5		
R33			RESISTOR, 2.2K, 1/4W			
R34			RESISTOR, 22K, 1/4W	PT10H2.5		
R35			RESISTOR, 1K, 1/4W			
R36			RESISTOR, 0.3Ω, 3W	PT10H2.5		
R37			RESISTOR			
R38			RESISTOR, 4.75K	PT10H2.5		
R39			POTENTIOMETER, 1K			
R40			RESISTOR, 3.01K	PT10H2.5		
R41			RESISTOR, 13.2K			
R42			POTENTIOMETER, 1K	PT10H2.5		
R43			RESISTOR, 1.5K, 1/4W			
R44			RESISTOR, 470Ω	PT10H2.5		
R45			RESISTOR, 10K, 1/4W			
R46			RESISTOR	PT10H2.5		
R47			RESISTOR, 22K, 1/4W			
R48			RESISTOR, 1K, 1/4W	PT10H2.5		
R49			RESISTOR			
R50			RESISTOR, 47Ω, 1/4W	PT10H2.5		
R51			RESISTOR, 0.5Ω, 3W			
R52			RESISTOR, 6.34K	PT10H2.5		
R53			POTENTIOMETER, 1K			
R54			RESISTOR, 3.01K	PT10H2.5		
R55			RESISTOR, 15K, 1/4W			
R56			POTENTIOMETER, 1K	PT10H2.5		
R57			RESISTOR, 1.5K, 1/4W			
R58			RESISTOR, 470Ω	PT10H2.5		
R59			RESISTOR, 2.2K, 1/4W			
R60			RESISTOR, 2.2K, 1/4W	PT10H2.5		
R61			RESISTOR, 2.2K, 1/4W			
R62			RESISTOR	PT10H2.5		
TB3		1	TERMINAL BLOCK, 12 PINS			
VR1		4	SCR	2062-12		
VR2			SCR	S2006LS3		
VR3			SCR	S2006LS3		
VR4			SCR	S2006LS3		
Z1		4	INTEGRATED CIRCUIT	723HC		
Z2			INTEGRATED CIRCUIT	723HC		
Z3			INTEGRATED CIRCUIT	723HC		
Z4			INTEGRATED CIRCUIT	723HC		
Z5		4	INTEGRATED CIRCUIT	MC3423P		
Z6			INTEGRATED CIRCUIT	MC3423P		
Z7			INTEGRATED CIRCUIT	MC3423P		
Z8			INTEGRATED CIRCUIT	MC3423P		
1A4A2		1	PC BOARD	217		7-20

Table 8-2. Replaceable Parts List (Continued)

Reference Designation	AILTECH Part Number	Qty	Description	Mfr Part Number	Figure No.	
1A4A2C4		1	CAPACITOR, AXIAL 220, 25V		7-20	
CR1		4	DIODE	MR754		
CR2			DIODE	MR754		
CR3			DIODE	MR754		
CR4			DIODE	MR754		
CR5		8	DIODE	MA4C5		
CR6			DIODE	MA4C5		
CR7			DIODE	MA4C5		
CR8			DIODE	MA4C5		
CR9			DIODE	MA4C5		
CR10			DIODE	MA4C5		
CR11			DIODE	MA4C5		
CR12			DIODE	MA4C5		
CR13		1	RECTIFIER	B376-20		
CR14		4	DIODE	BA5C5		
CR15			DIODE	BA5C5		
CR16			DIODE	BA5C5		
CR17			DIODE	BA5C5		
1A4	296490-1	1	LOW VOLTAGE POWER SUPPLY	296490-1	7-20-A	
C1		1	CAPACITOR, 16K $\mu$ F, 15V	409-169-32		
C2		1	CAPACITOR, 5.1K $\mu$ F, 40V	163-518-32		
CR1		1	BRIDGE, RECTIFIER	643-002-54		
CR2		1	RECTIFIER, CT, 100V	705-002-54		
CR3		1	RECTIFIER, BRIDGE	1574-002-54		
Q4		1	TRANSISTOR, 2N6055	1057-000-62		
R1		1	RESISTOR, 0.12 $\Omega$ , 5W	897-R12-42		
R2		1	RESISTOR, 0.33 $\Omega$ , 5W	897-R33-42		
R3		1	RESISTOR, 0.27 $\Omega$ , 5W	897-R27-42		
S1		1	THERMOSTAT	413-000-81		
TB1		1	TERMINAL BOARD, 6 POSITION	2873-006-86		
TB2		1	TERMINAL BOARD, 9 POSITION	2872-009-86		
TB3		1	TERMINAL BOARD, 12 POSITION	2874-012-86		
T1		1	TRANSFORMER	2373-000-20		
1A4A1		1	LOW VOLTAGE POWER SUPPLY PC BOARD	2425-000-90		
C5		5	CAPACITOR, 0.01 $\mu$ F, 100VDC	1127-103-34		
C11		1	CAPACITOR, 100 $\mu$ F, 16VDC	513-107-31		
C12		1	CAPACITOR, 200 $\rho$ F, 500VDC	243-221-34		
C13		1	CAPACITOR, 100 $\mu$ F, 35VDC	712-107-31		
C14		4	CAPACITOR, 1 $\mu$ F, 35VDC	156-105-31		
C15			CAPACITOR, 0.01 $\mu$ F, 100VDC	1127-103-34		
C16		1	CAPACITOR, 1.7K $\mu$ F, 50VDC	157-178-31		
C17		1	CAPACITOR, 3.7K $\mu$ F, 40VDC	1143-378-31		
C18		1	CAPACITOR, 10 $\mu$ F, 25VDC	696-106-31		
C19		1	CAPACITOR, 1 $\eta$ F, 500VDC	243-102-34		
C20			CAPACITOR, 1 $\mu$ F, 35VDC	156-105-31		
C21		1	CAPACITOR, 330 $\mu$ F, 16VDC	513-337-31		
C22			CAPACITOR, 0.01 $\mu$ F, 100VDC	1127-103-34		
C23		2	CAPACITOR, 2.2 $\eta$ F, 500VDC	243-222-34		
C24			CAPACITOR, 1 $\mu$ F, 35VDC	156-105-31		
C25		2	CAPACITOR, 220 $\mu$ F, 25VDC	696-227-31		
C26			CAPACITOR, 0.01 $\mu$ F, 100VDC	1127-103-34		
C27			CAPACITOR, 1 $\mu$ F, 35VDC	156-105-31		
C28			CAPACITOR, 2.2 $\eta$ F, 500VDC	243-222-34		
C29			CAPACITOR, 220 $\mu$ F	696-227-31		

Table 8-2. Replaceable Parts List (Continued)

Reference Designation	AILTECH Part Number	Qty	Description	Mfr Part Number	Figure No.
1A4A1C30			CAPACITOR, 0.01 $\mu$ F, 100VDC	1127-103-34	7-20-A
CR4		5	DIODE, 1N4002	132-002-51	
CR5			DIODE, 1N4002	132-002-51	
CR6			DIODE, 1N4002	132-002-51	
CR7			DIODE, 1N4002	132-002-51	
CR8			DIODE, 1N4002	132-002-51	
Q5		4	SCR, C123F	861-001-53	
Q6			SCR, C123F	861-001-53	
Q7		2	TRANSISTOR, 2N2905	849-000-61	
Q8			SCN, C123F	861-001-53	
Q9			TRANSISTOR, 2N2905	849-000-61	
Q10			SCR, C123F	861-001-53	
R4		1	RESISTOR, 75 $\Omega$ , 2W	183-R75-42	
R5		1	RESISTOR, 150 $\Omega$ , 1/2W	174-151-41	
R6		5	RESISTOR, 47 $\Omega$ , 1/4W	366-470-41	
R7			RESISTOR, 47 $\Omega$ , 1/4W	366-470-41	
R8		1	RESISTOR, 6.8K, 1/2W	174-682-41	
R9		2	RESISTOR, 200 $\Omega$ , 1/4W	366-201-41	
R10		5	RESISTOR, 22 $\Omega$ , 1/4W	366-220-41	
R11		1	RESISTOR, 5.6K, 1/4W	366-562-41	
R12		3	RESISTOR, VARIABLE, 500 $\Omega$ , 1/2W	972-501-44	
R13		1	RESISTOR, 2.61K, 1/4W	188-2611-43	
R14			RESISTOR, 47 $\Omega$ , 1/4W	366-470-41	
R15		3	RESISTOR, 1K, 1/4W	366-102-41	
R16		1	RESISTOR, 1.21K, 1/8W	187-1211-43	
R17		1	RESISTOR, 1.8K, 1W	175-182-41	
R18		1	RESISTOR, 27K, 1/4W	366-273-41	
R19		1	RESISTOR, 2.2K, 1/4W	366-222-41	
R20		4	RESISTOR, 220 $\Omega$ , 1/4W	366-221-41	
R21		2	RESISTOR, 2.7K, 1/4W	366-272-41	
R22		1	RESISTOR, 120 $\Omega$ , 1/4W	366-121-41	
R23		4	RESISTOR, 680 $\Omega$ , 1/4W	366-681-41	
R24		2	RESISTOR, 82 $\Omega$ , 1/4W	366-820-41	
R25			RESISTOR, 82 $\Omega$ , 1/4W	366-820-41	
R26			RESISTOR, 200 $\Omega$ , 1/4W	366-201-41	
R27			RESISTOR, 22 $\Omega$ , 1/4W	366-220-41	
R28		2	RESISTOR, 1.2K, 1/4W	366-122-41	
R29		3	RESISTOR, 1.8K, 1/4W	366-182-41	
R30			RESISTOR, 47 $\Omega$ , 1/4W	366-470-41	
R31		1	RESISTOR, 261 $\Omega$ , 1/8W	187-2610-43	
R32		1	RESISTOR, VARIABLE, 200 $\Omega$ , 1/2W	972-201-44	
R33		1	RESISTOR, 866 $\Omega$ , 1/8W	187-8660-43	
R34		3	RESISTOR, 470 $\Omega$ , 1/4W	366-471-41	
R35		1	RESISTOR, 120 $\Omega$ , 1/2W	174-121-41	
R36		1	RESISTOR, 3.9K, 1/4W	366-392-41	
R37		1	RESISTOR, 390 $\Omega$ , 1/4W	366-391-41	
R38			RESISTOR, 220 $\Omega$ , 1/4W	366-221-41	
R39			RESISTOR, 2.7K, 1/4W	366-272-41	
R40			RESISTOR, 22 $\Omega$ , 1/4W	366-220-41	
R41			RESISTOR, 680 $\Omega$ , 1/4W	366-681-41	
R42		1	RESISTOR, 150 $\Omega$ , 1/4W	366-151-41	
R43		1	RESISTOR, 330 $\Omega$ , 1/4W	366-331-41	
R44		1	RESISTOR, 39 $\Omega$ , 1/4W	366-390-41	
R45		3	RESISTOR, 100 $\Omega$ , 1/4W	366-101-41	
R46		2	RESISTOR, 180 $\Omega$ , 1/4W	366-181-41	

Table 8-2. Replaceable Parts List (Continued)

Reference Designation	AILTECH Part Number	Qty	Description	Mfr Part Number	Figure No.
1A4A1R47			RESISTOR, 22Ω, 1/4W	366-220-41	7-20-A
R48		2	RESISTOR, 4.7K, 1/4W	366-472-41	
R49			RESISTOR, 1K, 1/4W	366-102-41	
R50			RESISTOR, 1K, 1/4W	366-102-41	
R51			RESISTOR, VARIABLE, 500Ω, 1/2W	972-501-44	
R52		2	RESISTOR, 2.15K, 1/8W	2636-2151-43	
R53		2	RESISTOR, 1.21K, 1/8W	2636-1211-43	
R54			NOT USED		
R55		2	RESISTOR, 1.62K, 1/8W	184-1621-43	
R56		2	RESISTOR, 22K, 1/4W	366-223-41	
R57			RESISTOR, 1.8K, 1/4W	366-182-41	
R58			RESISTOR, 220Ω, 1/4W	366-221-41	
R59			NOT USED		
R60			RESISTOR, 3K, 1/4W	366-302-41	
R61			RESISTOR, 100Ω, 1/4W	366-101-41	
R62			RESISTOR, 680Ω, 1/4W	366-681-41	
R63			RESISTOR, 470Ω, 1/4W	366-471-41	
R64			RESISTOR, 470Ω, 1/4W	366-471-41	
R65		1	RESISTOR, 270Ω, 1/4W	366-271-41	
R66			RESISTOR, 4.7K, 1/4W	366-472-41	
R67			RESISTOR, 22Ω, 1/4W	366-220-41	
R68			RESISTOR, 180Ω, 1/4W	366-181-41	
R69			RESISTOR, 1.62K, 1/8W	184-1621-43	
R70			RESISTOR, 47Ω, 1/4W	366-470-41	
R71			RESISTOR, VARIABLE, 500Ω, 1/2W	972-501-44	
R72			RESISTOR, 2.15K, 1/8W	2636-2151-43	
R73			RESISTOR, 1.21K, 1/8W	2636-1211-43	
R74			RESISTOR, 2.2K, 1W	175-222-41	
R75		2	RESISTOR, 68Ω, 1/4W	366-680-41	
R76			RESISTOR, 68Ω, 1/4W	366-680-41	
R77			RESISTOR, 22K, 1/4W	366-223-41	
R78			RESISTOR, 1.8K, 1/4W	366-182-41	
R79			RESISTOR, 220Ω, 1/4W	366-221-41	
R80			RESISTOR, 3K, 1/4W	366-302-41	
R81			RESISTOR, 100Ω, 1/4W	366-101-41	
R82			RESISTOR, 680Ω, 1/4W	366-681-41	
R83			NOT USED		
R84		1	RESISTOR, 470Ω, 1/2W	174-471-41	
R85			RESISTOR, 1.2K, 1/4W	366-122-41	
U1		4	INTEGRATED CIRCUIT, LM723CJ	2203-000-63	
U2		4	INTEGRATED CIRCUIT, MC3423P1	1999-000-63	
U3			INTEGRATED CIRCUIT, LM723CJ	2203-000-63	
U4			INTEGRATED CIRCUIT, MC3423P1	1999-000-63	
U5			INTEGRATED CIRCUIT, LM723CJ	2203-000-63	
U6			INTEGRATED CIRCUIT, MC3423P1	1999-000-63	
U7			INTEGRATED CIRCUIT, LM723CJ	2203-000-63	
U8			INTEGRATED CIRCUIT, MC3423P1	1999-000-63	
VR1		1	DIODE, ZENER, 1N753A	368-008-52	
VR2		2	DIODE, ZENER, 1N825	1066-000-52	
VR3			DIODE, ZENER, 1N825	1066-000-52	
XU1		4	IC SOCKET, 14 PIN	1618-000-85	
XU2		4	IC SOCKET, 8 PIN	2142-000-85	

Table 8-2. Replaceable Parts List (Continued)

Reference Designation	AILTECH Part Number	Qty	Description	Mfr Part Number	Figure No.
1A4A1XU3			IC SOCKET, 14 PIN	1618-000-85	7-20-A
XU4			IC SOCKET, 8 PIN	2142-000-85	
XU5			IC SOCKET, 14 PIN	1618-000-85	
XU6			IC SOCKET, 8 PIN	2142-000-85	
XU7			IC SOCKET, 14 PIN	1618-000-85	
XU8			IC SOCKET, 8 PIN	2142-000-85	
1A4A2		1	HEATSINK ASSEMBLY	2384-000-73	
C3		2	CAPACITOR, 0.01 $\mu$ F, 100V	1127-103-34	
C4			CAPACITOR, 0.01 $\mu$ F, 100V	1127-103-34	
Q1		3	TRANSISTOR, 2N6055	1057-000-62	
Q2			TRANSISTOR, 2N6055	1057-000-62	
Q3			TRANSISTOR, 2N6055	1057-000-62	
1A5	296154-1	1	DISPLAY ASSEMBLY	296154-1	See Section 9
1A6	295852-2		ABSOLUTE POWER PC BOARD ASSEMBLY	295852-2	7-21
C1	299240-1	2	CAPACITOR, 6.8 $\mu$ F	T368B225MO35AS	
C2	299244	2	CAPACITOR, .01 $\mu$ F	5HKS-S10	
C3	299240-1		CAPACITOR, 6.8 $\mu$ F	T368B225MO35AS	
C4	299244		CAPACITOR, .01 $\mu$ F	5HKS-S10	
CR1	293226	6	DIODE	1N100A	
CR2	293226		DIODE	1N100A	
CR3	293226		DIODE	1N100A	
CR4	293226		DIODE	1N100A	
CR5	293226		DIODE	1N100A	
CR6	293226		DIODE	1N100A	
J1	294214	1	HEADER ASSEMBLY, 14 PIN	87230-7	
J2	299933	2	HEADER ASSEMBLY, 26 PIN	1-87230-3	
J3	299933		HEADER ASSEMBLY, 26 PIN	1-87230-3	
J4	294213-2	1	HEADER ASSEMBLY, 6 PIN	87230-3	
Q1	294151	1	TRANSISTOR	2N4124	
R1	299701-512	3	RESISTOR, 5.1K, 1/4W	RC07GF512J	
R2	299701-512		RESISTOR, 5.1K, 1/4W	RC07GF512J	
R3	299701-512		RESISTOR, 5.1K, 1/4W	RC07GF512J	
R4	299701-392	1	RESISTOR, 3.9K, 1/4W	RC07GF392J	
R5	299701-242	1	RESISTOR, 2.4K, 1/4W	RC07GF242J	
R6	299701-102	1	RESISTOR, 1K, 1/4W	RC07GF102J	
R7	299701-181	4	RESISTOR, 180 $\Omega$ , 1/4W	RC07GF181J	
R8	299701-181		RESISTOR, 180 $\Omega$ , 1/4W	RC07GF181J	
R9	299701-181		RESISTOR, 180 $\Omega$ , 1/4W	RC07GF181J	
R10	299701-181		RESISTOR, 180 $\Omega$ , 1/4W	RC07GF181J	
S1	293689-2	1	SWITCH	76PB04	
U1	293698	2	INTEGRATED CIRCUIT	SN74147N	
U2	293698		INTEGRATED CIRCUIT	SN74147N	
U3	293364	3	INTEGRATED CIRCUIT	SN7404N	
U4	293364		INTEGRATED CIRCUIT	SN7404N	
U5	293417	3	INTEGRATED CIRCUIT	82S82N	
U6	293597	2	INTEGRATED CIRCUIT	SN74LS85N	
U7	293597		INTEGRATED CIRCUIT	AN74LS85N	
U8	293696	1	INTEGRATED CIRCUIT	SN7483N	
U9	293414	4	INTEGRATED CIRCUIT	SN74157N	
U10	293414		INTEGRATED CIRCUIT	SN74157N	

Table 8-2. Replaceable Parts List (Continued)

Reference Designation	AILTECH Part Number	Qty	Description	Mfr Part Number	Figure No.	
1A6U11	293364		INTEGRATED CIRCUIT	SN7404N	7-21	
U12	293695	1	INTEGRATED CIRCUIT	SN7411N		
U13	293414		INTEGRATED CIRCUIT	SN74157N		
U14	293414		INTEGRATED CIRCUIT	SN74157N		
U15	293417		INTEGRATED CIRCUIT	82S82N		
U16	293361	1	INTEGRATED CIRCUIT	SN7408N		
U17	293362	1	INTEGRATED CIRCUIT	SN7402N		
U18	293417		INTEGRATED CIRCUIT	82S82N		
U19			NOT USED			
U20			NOT USED			
U21	293358	1	INTEGRATED CIRCUIT	SN7425N		
U22	293450	1	INTEGRATED CIRCUIT	SN7432N		
U23	293691-4	3	RESISTOR PACK, 5.1K	314A512		
U24	293691-4		RESISTOR PACK, 5.1K	314A512		
U25	293691-4		RESISTOR PACK, 5.1K	314A512		
	294566	3	SOCKET, 24 PIN	C932410		
	294567	9	SOCKET, 16 PIN	C931610		
	294573	11	SOCKET, 14 PIN	C931410		
1A7	230195-6	1	ATTENUATOR, FIXED	230195-6		
1A8	296123-1	1	LOG IF AMPLIFIER ASSEMBLY	296123-1		7-22
FL1	293608	1	CAPACITOR, FILTER	1201-066		
	208674-1	1	CAPACITOR, FEEDTHROUGH, 1000 $\rho$ F	FB2B		
	299233	1	CONNECTOR, BUCKHEAD	51-045-0000		
L12	299237-054	1	INDUCTOR, 27 $\mu$ H	1025-54		
1A8A1	296119-1	1	LOG IF AMPLIFIER PC ASSEMBLY	296119-1		7-22
C1	293736	7	CAPACITOR, 33 $\rho$ F	308-000-C0G0330G		
C2	293810	13	CAPACITOR, 3000 $\rho$ F	DD-302		
C3	293735	7	CAPACITOR, 22 $\rho$ F	301-000-C0G0220G		
C4	293810		CAPACITOR, 3000 $\rho$ F	DD-302		
C5	293747	1	CAPACITOR VARIABLE, 15-60 $\rho$ F	538-011-F15-60		
C6	293810		CAPACITOR, 3000 $\rho$ F	DD-302		
C7	293810		CAPACITOR, 3000 $\rho$ F	DD-302		
C8	293810		CAPACITOR, 3000 $\rho$ F	DD-302		
C9	293735		CAPACITOR, 22 $\rho$ F	301-000-C0G0220G		
C10	293736		CAPACITOR, 33 $\rho$ F	308-000-C0G0330G		
C11	293810		CAPACITOR, 3000 $\rho$ F	DD-302		
C12	293735		CAPACITOR, 22 $\rho$ F	301-000-C0G0220G		
C13	293736		CAPACITOR, 33 $\rho$ F	308-000-C0G0330G		
C14	293810		CAPACITOR, 3000 $\rho$ F	DD-302		
C15	293810		CAPACITOR, 3000 $\rho$ F	DD-302		
C16	293735		CAPACITOR, 22 $\rho$ F	301-000-C0G0220G		
C17	293736		CAPACITOR, 33 $\rho$ F	308-000-C0G0330G		
C18	293810		CAPACITOR, 3000 $\rho$ F	DD-302		
C19	293735		CAPACITOR, 22 $\rho$ F	301-000-C0G0220G		
C20	293736		CAPACITOR, 33 $\rho$ F	308-000-C0G0330G		
C21	293810		CAPACITOR, 3000 $\rho$ F	DD-302		
C22	293810		CAPACITOR, 3000 $\rho$ F	DD-302		
C23	293735		CAPACITOR, 22 $\rho$ F	301-000-C0G0220G		
C24	293736		CAPACITOR, 33 $\rho$ F	308-000-C0G0330G		
C25	293810		CAPACITOR, 3000 $\rho$ F	DD-302		





Table 8-2. Replaceable Parts List (Continued)

Reference Designation	AILTECH Part Number	Qty	Description	Mfr Part Number	Figure No.
1A8A1C26	293735		CAPACITOR, 22 $\rho$ F	301-000-C0G0220G	7-22
C27	293736		CAPACITOR, 33 $\rho$ F	308-000-C0G0330G	
C28	293810		CAPACITOR, 3000 $\rho$ F	DD-302	
C29			NOT USED		
C30	299243	2	CAPACITOR, 1000 $\rho$ F	CK60AW102M	
C31	299243		CAPACITOR, 1000 $\rho$ F	CK60AW102M	
E1	293310	3	TERMINAL	1597-2-01	
E2	293310		TERMINAL	1597-2-01	
E3	293310		TERMINAL	1597-2-01	
L1	294029	8	INDUCTOR, 1 $\mu$ H	4425-6F	
L2			P/O PC BOARD		
L3	294029		INDUCTOR, 1 $\mu$ H	4425-6F	
L4	115297-2	2	INDUCTOR, 14 $\mu$ H	1840-34	
L5	294029		INDUCTOR, 1 $\mu$ H	4425-6F	
L6	294029		INDUCTOR, 1 $\mu$ H	4425-6F	
L7	294029		INDUCTOR, 1 $\mu$ H	4425-6F	
L8	294029		INDUCTOR, 1 $\mu$ H	4425-6F	
L9	294029		INDUCTOR, 1 $\mu$ H	4425-6F	
L10	294029		INDUCTOR, 1 $\mu$ H	4425-6F	
L11	115297-2		INDUCTOR, 14 $\mu$ H	1840-34	
Q1	294151	2	TRANSISTOR	2N4124	
Q2	294151		TRANSISTOR	2N4124	
R1	299701-102	7	RESISTOR, 1K, 1/4W	RC07GF102J	
R2	299709-355	1	RESISTOR, 2.21K, 1/8W	RN60C2211F	
R3	299701-102		RESISTOR, 1K, 1/4W	RC07GF102J	
R4	299701-102		RESISTOR, 1K, 1/4W	RC07GF102J	
R5	299709-322	1	RESISTOR, 1K, 1/8W	RN60C1001F	
R6	299709-252	2	RESISTOR, 221 $\Omega$ , 1/8W	RN60C2210F	
R7	299701-102		RESISTOR, 1K, 1/4W	RC07GF102J	
R8	299709-313	1	RESISTOR, 825 $\Omega$ , 1/8W	RN60C8250F	
R9	299701-102		RESISTOR, 1K, 1/4W	RC0GF102J	
R10	299701-102		RESISTOR, 1K, 1/4W	RC0GF102J	
R11	299701-102		RESISTOR, 1K, 1/4W	RC0GF102J	
R12	299709-252		RESISTOR, 221 $\Omega$ , 1/8W	RN60C2210F	
Z1	230541-3	9	INTEGRATED CIRCUIT	SL521C	
Z2	230541-3		INTEGRATED CIRCUIT	SL521C	
Z3	230541-3		INTEGRATED CIRCUIT	SL521C	
Z4	230541-3		INTEGRATED CIRCUIT	SL521C	
Z5	230541-3		INTEGRATED CIRCUIT	SL521C	
Z6	230541-3		INTEGRATED CIRCUIT	SL521C	
Z7	230541-3		INTEGRATED CIRCUIT	SL521C	
Z8	230541-3		INTEGRATED CIRCUIT	SL521C	
Z9	230541-3		INTEGRATED CIRCUIT	SL521C	
1A9	230471-2	1	COMB GENERATOR	230471-2	7-23
1A10	296225-1	1	RF/IF ASSEMBLY	296225-1	
A1	296236-1	1	IF PROCESSOR ASSEMBLY	296236-1	
A2	295933-1	1	YIG-TUNED OSCILLATOR	295933-1	
A3	299463-2	1	YIG FILTER	299463-2	
A4	230500-1	1	MIXER BIAS ASSEMBLY	230500-1	
A5	296237-1	1	LOOP CONTROL ASSEMBLY	296237-1	
A6	296238-1	1	LOCAL OSCILLATOR ASSEMBLY	296238-1	
A7	231079-1	8	RF SWITCH	231079-1	
A8	231079-1		RF SWITCH	231079-1	
A9	231079-1		RF SWITCH	231079-1	

Table 8-2. Replaceable Parts List (Continued)

Reference Designation	AILTECH Part Number	Qty	Description	Mfr Part Number	Figure No.
1A10A10	231079-1		RF SWITCH	231079-1	7-23
A11	230191-1	1	LOWPASS FILTER	230191-1	
A12	299395-4	1	YIG DRIVER PCB ASSEMBLY	299395-4	
A13	230567-2	1	MICROWAVE MIXER	230567-2	
A14	230195-5	1	FIXED ATTENUATOR	230195-5	
A15	230195-1	1	FIXED ATTENUATOR	230195-1	
A16	230194	3	COUPLER, 6dB	230194	
A17	230478	1	HARMONIC MIXER	230478	
A18	230625	2	RF AMPLIFIER ASSEMBLY	230625	
A19	230194		COUPLER, 6dB	230194	
A20	299374	1	BANDPASS FILTER	299374	
A21	230215	1	ISOLATOR	230215	
A22	294468-1	1	FIXED ATTENUATOR	294468-1	
A23	230224	1	LOOP MIXER	230224	
A24	230471-2	1	COMB GENERATOR	230471-2	
A25	230195-3	1	FIXED ATTENUATOR	230195-3	
A26	230817	1	OSCILLATOR	230817	
A27			NOT USED		
A28			NOT USED		
A29	231079-1		RF SWITCH	231079-1	
A30	231079-1		RF SWITCH	231079-1	
A31	230625		RF AMPLIFIER ASSEMBLY	230625	
A32	299400-2	1	HEAT SINK ASSY YIG DRIVER	299400-2	
A33	231079-1		RF SWITCH	231079-1	
A34	231079-1		RF SWITCH	231079-1	
A35	230194		COUPLER, 6dB	230194	
C1	299240-1	1	CAPACITOR, 6.8 $\mu$ F	T368B225M035AS	
C2	299240-4	1	CAPACITOR, ELECTROLYTIC 100 $\mu$ F	T362D107M020AS	
CR1	114233-2	4	DIODE	1N2071	
CR2	114233-2		DIODE	1N2071	
CR3	114233-2		DIODE	1N2071	
CR4	114233-2		DIODE	1N2071	
J18	294355	1	CONNECTOR	294355	
MP1	294652	1	ADAPTER	294652	
MP2	294653	1	ADAPTER	294653	
MP3	296199-1	1	BRACKET, COUPLER	296199-1	
MP4	298573	1	SUPPORT, COUPLER	298573	
MP5	296226-1	1	PLATE, FILTER MTG.	296226-1	
MP6	298025	1	BRACKET SWITCH	298025	
MP7	294299	1	SHIELD MU METAL	294299	
MP8	296228-1	1	CLAMP	296228-1	
MP9	294909	1	CLAMP CABLE	294909	
MP10	990211-1	2	CLAMP CABLE	990211-1	
MP11	MS35489-11	1	GROMMET	MS35489-11	
P5	294352	1	CONNECTOR	294352	
R1	299703-390	1	RESISTOR, 39 $\Omega$ , 1W, $\pm$ 5%	RC32GF390J	
W1	298505-18	1	CABLE ASSEMBLY	298505-18	
W2	298505-7	1	CABLE ASSEMBLY	298505-7	
W3	298505-46	1	CABLE ASSEMBLY	298505-46	
W4	298505-15	1	CABLE ASSEMBLY	298505-15	
W5	298505-91	1	CABLE ASSEMBLY	298505-91	
W6	298505-80	1	CABLE ASSEMBLY	298505-80	
W7	298505-30	1	CABLE ASSEMBLY	298505-30	

Table 8-2. Replaceable Parts List (Continued)

Reference Designation	AILTECH Part Number	Qty	Description	Mfr Part Number	Figure No.	
1A10W8	298505-11	1	CABLE ASSEMBLY	298505-11	7-23	
W9	298505-14	1	CABLE ASSEMBLY	298505-14		
W10	298505-31	1	CABLE ASSEMBLY	298505-31		
W11	298505-54	2	CABLE ASSEMBLY	298505-54		
W12	298505-54		CABLE ASSEMBLY	298505-54		
W13	298505-49	2	CABLE ASSEMBLY	298505-49		
W14	298505-63	1	CABLE ASSEMBLY	298505-63		
W15	298505-47	2	CABLE ASSEMBLY	298505-47		
W16	298505-38	1	CABLE ASSEMBLY	298505-38		
W17	298505-3	1	CABLE ASSEMBLY	298505-3		
W18	298505-50	2	CABLE ASSEMBLY	298505-50		
W19	298505-84	1	CABLE ASSEMBLY	298505-84		
W20	298505-85	1	CABLE ASSEMBLY	298505-85		
W21	298505-86	1	CABLE ASSEMBLY	298505-86		
W22	298505-39	1	CABLE ASSEMBLY	298505-39		
W23	298505-49		CABLE ASSEMBLY	298505-49		
W24	298505-1	1	CABLE ASSEMBLY	298505-1		
W25	298505-47		CABLE ASSEMBLY	298505-47		
W26	298505-111	1	CABLE ASSEMBLY	298505-111		
W27	298505-50		CABLE ASSEMBLY	298505-50		
W28	298505-5	1	CABLE ASSEMBLY	298505-5		
W29	298505-8	1	CABLE ASSEMBLY	298505-8		
W30	298505-52	1	CABLE ASSEMBLY	298505-52		
W31	298505-10	1	CABLE ASSEMBLY	298505-10		
W32	298505-92	1	CABLE ASSEMBLY	298505-92		
1A10A1	296236-1	1	IF PROCESSOR ASSEMBLY	296236-1		7-24
A1	299335-1	1	PROCESSOR BOARD ASSEMBLY	299335-1		
A2	230302-7	1	FILTER BOARD ASSEMBLY	230302-7		
A3	230302-8	1	FILTER BOARD ASSEMBLY	230302-8		
A4	230627-1	1	MIXER BOARD ASSEMBLY	230627-1		
A5	230394-1	1	IF AMPLIFIER BOARD ASSEMBLY	230394-1		
C1	299240-1	2	CAPACITOR, 6.8μF, 35V	T3688685M035AS		
C2	299240-1		CAPACITOR, 6.8μF, 35V	T3688685M035AS		
FL1	293608-2	17	FILTER, FEEDTHROUGH	1201-066		
FL2	293608-2		FILTER, FEEDTHROUGH	1201-066		
FL3	293608-2		FILTER, FEEDTHROUGH	1201-066		
FL4	293608-2		FILTER, FEEDTHROUGH	1201-066		
FL5	293608-2		FILTER, FEEDTHROUGH	1201-066		
FL6	293608-2		FILTER, FEEDTHROUGH	1201-066		
FL7	293608-2		FILTER, FEEDTHROUGH	1201-066		
FL8	293608-2		FILTER, FEEDTHROUGH	1201-066		
FL9	293608-2		FILTER, FEEDTHROUGH	1201-066		
FL10	293608-2		FILTER, FEEDTHROUGH	1201-066		
FL11	293608-2		FILTER, FEEDTHROUGH	1201-066		
FL12	293608-2		FILTER, FEEDTHROUGH	1201-066		
FL13	293608-2		FILTER, FEEDTHROUGH	1201-066		
FL14	293608-2		FILTER, FEEDTHROUGH	1201-066		
FL15	293608-2		FILTER, FEEDTHROUGH	1201-066		
FL16	293608-2		FILTER, FEEDTHROUGH	1201-066		
FL17	293608-2		FILTER, FEEDTHROUGH	1201-066		
J1	295396-1	3	CONNECTOR	51-347-0000		
J2	295396-1		CONNECTOR	51-347-0000		
J3	295396-1		CONNECTOR	51-347-0000		
J4	294344-1	2	CONNECTOR	50-645-4524-31		
J5	294344-1		CONNECTOR	50-645-4524-31		

Table 8-2. Replaceable Parts List (Continued)

Reference Designation	AILTECH Part Number	Qty	Description	Mfr Part Number	Figure No.
1A10A1A1	299335-1	1	PROCESSOR PC BOARD ASSEMBLY	299335-1	7-24
C1	293810	24	CAPACITOR, 3000 $\rho$ F	DD302	
C2	293810		CAPACITOR, 3000 $\rho$ F	DD302	
C3	293810		CAPACITOR, 3000 $\rho$ F	DD302	
C4	293810		CAPACITOR, 3000 $\rho$ F	DD302	
C5	293810		CAPACITOR, 3000 $\rho$ F	DD302	
C6	293747	2	CAPACITOR, VARIABLE, 15-60 $\rho$ F	538-011-F15-60	
C7	299893-471	2	CAPACITOR, 470 $\rho$ F	CK60AX471K	
C8			NOT USED		
C9	299893-471		CAPACITOR, 470 $\rho$ F	CK60AX471K	
C10			NOT USED		
C11			NOT USED		
C12	293810		CAPACITOR, 3000 $\rho$ F	DD302	
C13			NOT USED		
C14	293810		CAPACITOR, 3000 $\rho$ F	DD302	
C15			NOT USED		
C16	293810		CAPACITOR, 3000 $\rho$ F	DD302	
C17			NOT USED		
C18	293810		CAPACITOR, 3000 $\rho$ F	DD302	
C19	293810		CAPACITOR, 3000 $\rho$ F	DD302	
C20	293810		CAPACITOR, 3000 $\rho$ F	DD302	
C21	293810		CAPACITOR, 3000 $\rho$ F	DD302	
C22	293810		CAPACITOR, 3000 $\rho$ F	DD302	
C23	293810		CAPACITOR, 3000 $\rho$ F	DD302	
C24	293810		CAPACITOR, 3000 $\rho$ F	DD302	
C25	293810		CAPACITOR, 3000 $\rho$ F	DD302	
C26	293810		CAPACITOR, 3000 $\rho$ F	DD302	
C27	293810		CAPACITOR, 3000 $\rho$ F	DD302	
C28	293810		CAPACITOR, 3000 $\rho$ F	DD302	
C29			NOT USED		
C30			NOT USED		
C31	293810		CAPACITOR, 3000 $\rho$ F	DD302	
C32			NOT USED		
C33			NOT USED		
C34	293747		CAPACITOR, VARIABLE, 15-60 $\rho$ F	538-011-F15-60	
C35	293810		CAPACITOR, 3000 $\rho$ F	DD302	
C36	293810		CAPACITOR, 3000 $\rho$ F	DD302	
C37	293810		CAPACITOR, 3000 $\rho$ F	DD302	
C38	293810		CAPACITOR, 3000 $\rho$ F	DD302	
CR1	299251-1	10	DIODE	1N4009	
CR2	299251-1		DIODE	1N4009	
CR3	299251-1		DIODE	1N4009	
CR4	299251-1		DIODE	1N4009	
CR5	299251-1		DIODE	1N4009	
CR6	299251-1		DIODE	1N4009	
CR7	299251-1		DIODE	1N4009	
CR8	299251-1		DIODE	1N4009	
CR9	299251-1		DIODE	1N4009	
CR10	299251-1		DIODE	1N4009	
E1	990007-001	3	TERMINAL, TURRET	1558-2-05	
E2	990007-001		TERMINAL, TURRET	1558-2-05	
E3	990007-001		TERMINAL, TURRET	1558-2-05	
L1	299237-32	9	INDUCTOR, 3.3 $\mu$ H	1025-32	
L2	115297-2	2	INDUCTOR, 14 $\mu$ H	1840-34	
L3	299237-32		INDUCTOR, 3.3 $\mu$ H	1025-32	
L4	115297-2		INDUCTOR, 14 $\mu$ H	1840-34	
L5	299237-32		INDUCTOR, 3.3 $\mu$ H	1025-32	

Table 8-2. Replaceable Parts List (Continued)

Reference Designation	AILTECH Part Number	Qty	Description	Mfr Part Number	Figure No.
1A10A1A1L6	299237-32		INDUCTOR, 3.3 $\mu$ H	1025-32	7-24
L7	299237-32		INDUCTOR, 3.3 $\mu$ H	1025-32	
L8	299237-32		INDUCTOR, 3.3 $\mu$ H	1025-32	
L9	299237-32		INDUCTOR, 3.3 $\mu$ H	1025-32	
L10	115297-4	1	INDUCTOR, 3.3 $\mu$ H	1840-18	
L11	299237-32		INDUCTOR, 3.3 $\mu$ H	1025-32	
L12	299237-32		INDUCTOR, 3.3 $\mu$ H	1025-32	
Q1	230541-1	2	TRANSISTOR	BFR-94	
Q2	230541-1		TRANSISTOR	BFR-94	
R1	299701-560	1	RESISTOR, 56 $\Omega$ , 1/4W	RC07GF560J	
R2	293668	2	RESISTOR, 270 $\Omega$ , 5W, 5%	RS5-270	
R3	299701-100	2	RESISTOR, 10 $\Omega$ , 1/4W	RC07GF100J	
R4	299701-100		RESISTOR, 10 $\Omega$ , 1/4W	RC07GF100J	
R5	299703-390	2	RESISTOR, 39 $\Omega$ , 1W, 5%	RC32GF390J	
R6	293664	5	RESISTOR, 650 $\Omega$ , 1W, 1%	RS1A-650	
R7			NOT USED		
R8			NOT USED		
R9	294747	4	RESISTOR, VARIABLE, 1K	3339P-1-102	
R10			NOT USED		
R11	299702-152	5	RESISTOR, 1.5K, 1/2W	RC20GF152J	
R12	293664		RESISTOR, 650 $\Omega$ , 1W, 1%	RS1A-650	
R13			NOT USED		
R14			NOT USED		
R15			NOT USED		
R16			NOT USED		
R17	299702-152		RESISTOR, 1.5K, 1/2W	RC20GF152J	
R18	293664		RESISTOR, 650 $\Omega$ , 1W, 1%	RS1A-650	
R19			NOT USED		
R20			NOT USED		
R21	294747		RESISTOR, VARIABLE, 1K	3339P-1-102	
R22			NOT USED		
R23	299702-152		RESISTOR, 1.5K, 1/2W	RC20GF152J	
R24	293664		RESISTOR, 650 $\Omega$ , 1W, 1%	RS1A-650	
R25			NOT USED		
R26			NOT USED		
R27	294747		RESISTOR, VARIABLE, 1K	3339P-1-102	
R28	299701-620	1	RESISTOR, 62 $\Omega$ , 1/4W	RC07GF620J	
R29	299702-152		RESISTOR, 1.5K, 1/2W	RC20GF152J	
R30	299701-201	1	RESISTOR, 200 $\Omega$ , 1/4W	RC07GF201J	
R31	293668		RESISTOR, 270 $\Omega$ , 5W, 5%	RS5-270	
R32			NOT USED		
R33			NOT USED		
R34	299703-390		RESISTOR, 39 $\Omega$ , 1W, 5%	RC32GF390J	
R35	299701-470	2	RESISTOR, 47 $\Omega$ , 1/4W	RC07GF470J	
R36	299701-202	1	RESISTOR, 2K, 1/4W	RC07GF202J	
R37	299701-470		RESISTOR, 47 $\Omega$ , 1/4W	RC07GF470J	
R38	299701-511	1	RESISTOR, 510 $\Omega$ , 1/4W	RC07GF511J	
R39	293664		RESISTOR, 650 $\Omega$ , 1W, 1%	RS1A-650	
R40	294747		RESISTOR, 1.5K 1/2W	RC20GF152J	
R41	299702-152		RESISTOR, VARIABLE, 1K	3339P-1-102	
R42	299701-360	1	RESISTOR, 36 $\Omega$ , 1/4W	RC07GF360J	
T1	230531-3	2	TRANSFORMER	230531-3	
T2	230531-3		TRANSFORMER	230531-3	
1A10A1A2	230302-7	1	FILTER BOARD ASSEMBLY	230302-7	7-25
A1	231012-1	1	FILTER, CRYSTAL	231012-1	

Table 8-2. Replaceable Parts List (Continued)

Reference Designation	AILTECH Part Number	Qty	Description	Mfr Part Number	Figure No.
1A10A1A2A2	231012-2	1	FILTER, CRYSTAL	231012-2	7-25
A3	231012-3	1	FILTER, CRYSTAL	231012-3	
C1	293810	21	CAPACITOR, 3000 $\rho$ F	DD-302	
C2	293810		CAPACITOR, 3000 $\rho$ F	DD-302	
C3	293810		CAPACITOR, 3000 $\rho$ F	DD-302	
C4	293810		CAPACITOR, 3000 $\rho$ F	DD-302	
C5	293810		CAPACITOR, 3000 $\rho$ F	DD-302	
C6	293810		CAPACITOR, 3000 $\rho$ F	DD-302	
C7	293810		CAPACITOR, 3000 $\rho$ F	DD-302	
C8	293810		CAPACITOR, 3000 $\rho$ F	DD-302	
C9	293810		CAPACITOR, 3000 $\rho$ F	DD-302	
C10	293810		CAPACITOR, 3000 $\rho$ F	DD-302	
C11	293810		CAPACITOR, 3000 $\rho$ F	DD-302	
C12	293810		CAPACITOR, 3000 $\rho$ F	DD-302	
C13	293810		CAPACITOR, 3000 $\rho$ F	DD-302	
C14	293810		CAPACITOR, 3000 $\rho$ F	DD-302	
C15	293810		CAPACITOR, 3000 $\rho$ F	DD-302	
C16	293810		CAPACITOR, 3000 $\rho$ F	DD-302	
C17	293810		CAPACITOR, 3000 $\rho$ F	DD-302	
C18	293810		CAPACITOR, 3000 $\rho$ F	DD-302	
C19	293810		CAPACITOR, 3000 $\rho$ F	DD-302	
C20	293810		CAPACITOR, 3000 $\rho$ F	DD-302	
C21	299250-181	2	CAPACITOR, 180 $\rho$ F	CM04FD181J03	
C22	299241-070	1	CAPACITOR, 7 $\rho$ F	DM5CC-070D	
C23	299250-471	2	CAPACITOR, 470 $\rho$ F	CM06FD471J03	
C24			NOT USED		
C25	299250-131	1	CAPACITOR, 130 $\rho$ F	CM04FD131J03	
C26	299250-181		CAPACITOR, 180 $\rho$ F	CM04FD181J03	
C27	299250-471		CAPACITOR, 470 $\rho$ F	CM06FD471J03	
C28	293810		CAPACITOR, 3000 $\rho$ F	DD-302	
CR1	299251	16	DIODE	1N4009	
CR2	299251		DIODE	1N4009	
CR3	299251		DIODE	1N4009	
CR4	299251		DIODE	1N4009	
CR5	299251		DIODE	1N4009	
CR6	299251		DIODE	1N4009	
CR7	299251		DIODE	1N4009	
CR8	299251		DIODE	1N4009	
CR9	299251		DIODE	1N4009	
CR10	299251		DIODE	1N4009	
CR11	299251		DIODE	1N4009	
CR12	299251		DIODE	1N4009	
CR13	299251		DIODE	1N4009	
CR14	299251		DIODE	1N4009	
CR15	299251		DIODE	1N4009	
CR16	299251		DIODE	1N4009	
E1	990007-1	3	TERMINAL, TURRET	1558-2-05	
E2	990007-1		TERMINAL, TURRET	1558-2-05	
E3	990007-1		TERMINAL, TURRET	1558-2-05	
L1	115297-2	22	INDUCTOR, 14 $\mu$ H	1840-34	
L2	115297-2		INDUCTOR, 14 $\mu$ H	1840-34	
L3	115297-2		INDUCTOR, 14 $\mu$ H	1840-34	
L4	115297-2		INDUCTOR, 14 $\mu$ H	1840-34	
L5	115297-2		INDUCTOR, 14 $\mu$ H	1840-34	
L6	115297-2		INDUCTOR, 14 $\mu$ H	1840-34	
L7	115297-2		INDUCTOR, 14 $\mu$ H	1840-34	

Table 8-2. Replaceable Parts List (Continued)

Reference Designation	AILTECH Part Number	Qty	Description	Mfr Part Number	Figure No.
1A10A1A2L8	115297-2		INDUCTOR, 14 $\mu$ H	1840-34	7-25
L9	115297-2		INDUCTOR, 14 $\mu$ H	1840-34	
L10	115297-2		INDUCTOR, 14 $\mu$ H	1840-34	
L11	115297-2		INDUCTOR, 14 $\mu$ H	1840-34	
L12	115297-2		INDUCTOR, 14 $\mu$ H	1840-34	
L13	115297-2		INDUCTOR, 14 $\mu$ H	1840-34	
L14	115297-2		INDUCTOR, 14 $\mu$ H	1840-34	
L15	115297-2		INDUCTOR, 14 $\mu$ H	1840-34	
L16	115297-2		INDUCTOR, 14 $\mu$ H	1840-34	
L17	115297-2		INDUCTOR, 14 $\mu$ H	1840-34	
L18	115297-2		INDUCTOR, 14 $\mu$ H	1840-34	
L19	115297-2		INDUCTOR, 14 $\mu$ H	1840-34	
L20	115297-2		INDUCTOR, 14 $\mu$ H	1840-34	
L21	115297-2		INDUCTOR, 14 $\mu$ H	1840-34	
L22	115297-2		INDUCTOR, 14 $\mu$ H	1840-34	
L23	231105-3	3	INDUCTOR, VARIABLE	L45-6-CT-B-4	
L24	231105-3		INDUCTOR, VARIABLE	L45-6-CT-B-4	
L25	231105-3		INDUCTOR, VARIABLE	L45-6-CT-B-4	
L26	299237-040	1	INDUCTOR, 6.8 $\mu$ H	1025-40	
R1	299701-101	2	RESISTOR, 100 $\Omega$ , 1/4W	RC07GF101J	
R2	299703-201	4	RESISTOR, 200 $\Omega$ , 1W	RC32GF201J	
R3	299703-201		RESISTOR, 200 $\Omega$ , 1W	RC32GF201J	
R4	299703-201		RESISTOR, 200 $\Omega$ , 1W	RC32GF201J	
R5	299703-201		RESISTOR, 200 $\Omega$ , 1W	RC32GF201J	
R6	299703-561	4	RESISTOR, 560 $\Omega$ , 1W	RC32GF561J	
R7	299703-561		RESISTOR, 560 $\Omega$ , 1W	RC32GF561J	
R8	299703-561		RESISTOR, 560 $\Omega$ , 1W	RC32GF561J	
R9	299703-561		RESISTOR, 560 $\Omega$ , 1W	RC32GF561J	
R10	299701-101		RESISTOR, 100 $\Omega$ , 1/4W	RC07GF301J	
R11	299701-301	4	RESISTOR, 300 $\Omega$ , 1/4W	RC07GF301J	
R12	294746	1	RESISTOR, VARIABLE, 100 $\Omega$	3339P-1-101	
R13	299701-301		RESISTOR, 300 $\Omega$ , 1/4W	RC07GF301J	
R14	299701-301		RESISTOR, 300 $\Omega$ , 1/4W	RC07GF301J	
R15	299701-200	1	RESISTOR, 20 $\Omega$ , 1/4W	RC07GF200J	
R16	299701-301		RESISTOR, 300 $\Omega$ , 1/4W	RC07GF301J	
1A10A1A3	230302-8	1	FILTER BOARD ASSEMBLY	230302-8	7-25
A1	231012-1	1	FILTER, CRYSTAL	231012-1	
A2	231012-2	1	FILTER, CRYSTAL	231012-2	
A3	231012-3	1	FILTER, CRYSTAL	231012-3	
C1	293810	21	CAPACITOR, 3000 $\rho$ F	DD-302	
C2	293810		CAPACITOR, 3000 $\rho$ F	DD-302	
C3	293810		CAPACITOR, 3000 $\rho$ F	DD-302	
C4	293810		CAPACITOR, 3000 $\rho$ F	DD-302	
C5	293810		CAPACITOR, 3000 $\rho$ F	DD-302	
C6	293810		CAPACITOR, 3000 $\rho$ F	DD-302	
C7	293810		CAPACITOR, 3000 $\rho$ F	DD-302	
C8	293810		CAPACITOR, 3000 $\rho$ F	DD-302	
C9	293810		CAPACITOR, 3000 $\rho$ F	DD-302	
C10	293810		CAPACITOR, 3000 $\rho$ F	DD-302	
C11	293810		CAPACITOR, 3000 $\rho$ F	DD-302	
C12	293810		CAPACITOR, 3000 $\rho$ F	DD-302	
C13	293810		CAPACITOR, 3000 $\rho$ F	DD-302	
C14	293810		CAPACITOR, 3000 $\rho$ F	DD-302	
C15	293810		CAPACITOR, 3000 $\rho$ F	DD-302	
C16	293810		CAPACITOR, 3000 $\rho$ F	DD-302	
C17	293810		CAPACITOR, 3000 $\rho$ F	DD-302	

Table 8-2. Replaceable Parts List (Continued)

Reference Designation	AILTECH Part Number	Qty	Description	Mfr Part Number	Figure No.
1 A10A1A3C18	293810		CAPACITOR, 3000 $\rho$ F	DD-302	7-25
C19	293810		CAPACITOR, 3000 $\rho$ F	DD-302	
C20	293810		CAPACITOR, 3000 $\rho$ F	DD-302	
C21	299250-181	2	CAPACITOR, 180 $\rho$ F	CM04FD181J03	
C22	299241-070	1	CAPACITOR, 7 $\rho$ F	DM5CC-070D	
C23	299250-471	2	CAPACITOR, 470 $\rho$ F	CM06FD471J03	
C24			NOT USED		
C25	299250-131	1	CAPACITOR, 130 $\rho$ F	CM04FD131J03	
C26	299250-181		CAPACITOR, 180 $\rho$ F	CM04FD181J03	
C27	299250-471		CAPACITOR, 470 $\rho$ F	CM06FD471J03	
C28	293810		CAPACITOR, 3000 $\rho$ F	DD-302	
CR1	299251	16	DIODE	1N4009	
CR2	299251		DIODE	1N4009	
CR3	299251		DIODE	1N4009	
CR4	299251		DIODE	1N4009	
CR5	299251		DIODE	1N4009	
CR6	299251		DIODE	1N4009	
CR7	299251		DIODE	1N4009	
CR8	299251		DIODE	1N4009	
CR9	299251		DIODE	1N4009	
CR10	299251		DIODE	1N4009	
CR11	299251		DIODE	1N4009	
CR12	299251		DIODE	1N4009	
CR13	299251		DIODE	1N4009	
CR14	299251		DIODE	1N4009	
CR15	299251		DIODE	1N4009	
CR16	299251		DIODE	1N4009	
E1	990007-1	3	TERMINAL, TURRET	1558-2-05	
E2	990007-1		TERMINAL, TURRET	1558-2-05	
E3	990007-1		TERMINAL, TURRET	1558-2-05	
L1	115297-2	22	INDUCTOR, 14 $\mu$ H	1840-34	
L2	115297-2		INDUCTOR, 14 $\mu$ H	1840-34	
L3	115297-2		INDUCTOR, 14 $\mu$ H	1840-34	
L4	115297-2		INDUCTOR, 14 $\mu$ H	1840-34	
L5	115297-2		INDUCTOR, 14 $\mu$ H	1840-34	
L6	115297-2		INDUCTOR, 14 $\mu$ H	1840-34	
L7	115297-2		INDUCTOR, 14 $\mu$ H	1840-34	
L8	115297-2		INDUCTOR, 14 $\mu$ H	1840-34	
L9	115297-2		INDUCTOR, 14 $\mu$ H	1840-34	
L10	115297-2		INDUCTOR, 14 $\mu$ H	1840-34	
L11	115297-2		INDUCTOR, 14 $\mu$ H	1840-34	
L12	115297-2		INDUCTOR, 14 $\mu$ H	1840-34	
L13	115297-2		INDUCTOR, 14 $\mu$ H	1840-34	
L14	115297-2		INDUCTOR, 14 $\mu$ H	1840-34	
L15	115297-2		INDUCTOR, 14 $\mu$ H	1840-34	
L16	115297-2		INDUCTOR, 14 $\mu$ H	1840-34	
L17	115297-2		INDUCTOR, 14 $\mu$ H	1840-34	
L18	115297-2		INDUCTOR, 14 $\mu$ H	1840-34	
L19	115297-2		INDUCTOR, 14 $\mu$ H	1840-34	
L20	115297-2		INDUCTOR, 14 $\mu$ H	1840-34	
L21	115297-2		INDUCTOR, 14 $\mu$ H	1840-34	
L22	115297-2		INDUCTOR, 14 $\mu$ H	1840-34	
L23	231105-3	3	INDUCTOR, VARIABLE	L45-6-CT-B-4	
L24	231105-3		INDUCTOR, VARIABLE	L45-6-CT-B-4	
L25	231105-3		INDUCTOR, VARIABLE	L45-6-CT-B-4	
L26	299237-040	1	INDUCTOR, 6.8 $\mu$ H	1025-40	



Table 8-2. Replaceable Parts List (Continued)

Reference Designation	AILTECH Part Number	Qty	Description	Mfr Part Number	Figure No.
1A10A1A3R1	299701-101	2	RESISTOR, 100Ω, 1/4W	RC07GF101J	7-25
R2	299703-201	4	RESISTOR, 200Ω, 1W	RC32GF201J	
R3	299703-201		RESISTOR, 200Ω, 1W	RC32GF201J	
R4	299703-201		RESISTOR, 200Ω, 1W	RC32GF201J	
R5	299703-201		RESISTOR, 200Ω, 1W	RC32GF201J	
R6	299703-561	4	RESISTOR, 560Ω, 1W	RC32GF561J	
R7	299703-561		RESISTOR, 560Ω, 1W	RC32GF561J	
R8	299703-561		RESISTOR, 560Ω, 1W	RC32GF561J	
R9	299703-561		RESISTOR, 560Ω, 1W	RC32GF561J	
R10	299701-101		RESISTOR, 100Ω, 1/4W	RC07GF101J	
R11	299701-301	4	RESISTOR, 300Ω, 1/4W	RC07GF301J	
R12	294746	1	RESISTOR, VARIABLE, 100Ω	3339P-1-101	
R13	299701-301		RESISTOR, 300Ω, 1/4W	RC07GF301J	
R14	299701-301		RESISTOR, 300Ω, 1/4W	RC07GF301J	
R15	299701-200	1	RESISTOR, 20Ω, 1/4W	RC07GF200J	
R16	299701-301		RESISTOR, 300Ω, 1/4W	RC07GF301J	
R17	294746	3	RESISTOR, VARIABLE, 100Ω	3339P-1-101	
R18	299701-101	3	RESISTOR, 100Ω, 1/4W	RC07GF101J	
R19	294746		RESISTOR, VARIABLE, 100Ω	3339P-1-101	
R20	299701-101		RESISTOR, 100Ω, 1/4W	RC07GF101J	
R21	294746		RESISTOR, VARIABLE, 100Ω	3339P-1-101	
R22	299701-101		RESISTOR, 100Ω, 1/4W	RC07GF101J	
1A10A1A4	230627-1	1	MIXER PC BOARD ASSEMBLY	230627-1	7-26
E1	990007-001	1	TERMINAL	1558-2-05	
M1	298756	1	MIXER	298756	
1A10A1A5	230394-1	1	IF AMPLIFIER PC BOARD ASSEMBLY	230394-1	7-26
C1	293803	4	CAPACITOR, 100pF	DD-101	
C2	293803		CAPACITOR, 100pF	DD-101	
C3	293921	1	CAPACITOR, 220pF	CK05CW221K	
C4	293803		CAPACITOR, 100pF	DD-101	
C5	293803		CAPACITOR, 100pF	DD-101	
C6	293810	7	CAPACITOR, 3000pF	DD-302	
C7	293810		CAPACITOR, 3000pF	DD-302	
C8	293810		CAPACITOR, 3000pF	DD-302	
C9	293810		CAPACITOR, 3000pF	DD-302	
C10	293747	1	CAPACITOR, VARIABLE, 15-60pF	538-011-F-15-60	
C11	293810		CAPACITOR, 3000pF	DD-302	
C12			NOT USED		
C13	293810		CAPACITOR, 3000pF	DD-302	
C14	293810		CAPACITOR, 3000pF	DD-302	
L1	294022	2	INDUCTOR, .15μH	1537-00	
L2	115297-1	2	INDUCTOR, .25μH	1840-02	
L3	115297-1		INDUCTOR, .25μH	1840-02	
L4	294022		INDUCTOR, .15μH	1537-00	
L5	115297-4	1	INDUCTOR, 3μH	1840-18	
L6	115297-2	2	INDUCTOR, 14μH	1840-34	
L7	115297-2		INDUCTOR, 14μH	1840-34	
Q1	230541-1	1	TRANSISTOR	BFR-94	
R1	299701-510	2	RESISTOR, 51Ω, 1/4W	RC07GF510J	
R2	299701-510		RESISTOR, 51Ω, 1/4W	RC07GF510J	
R3	294746	1	RESISTOR, VARIABLE, 100Ω	3339P1-1-101	
R4	299701-200	1	RESISTOR, 20Ω, 1/4W	RC07GF200J	
R5	293668	1	RESISTOR, 270Ω, 5W, 5%	RS5-270	
R6	299703-101	1	RESISTOR, 100Ω, 1W	RC32GF101J	
R7			NOT USED		
R8	299701-470	1	RESISTOR, 47Ω, 1/4W	RC07GF470J	

Table 8-2. Replaceable Parts List (Continued)

Reference Designation	AILTECH Part Number	Qty	Description	Mfr Part Number	Figure No.
1A10A2	295933-1	1	YIG OSCILLATOR, TUNED	295933-1	7-23
1A10A3	299463-2	1	YIG FILTER	299463-2	7-23
1A10A4	230500-1	1	MIXER BIAS ASSEMBLY	230500-1	7-29
C1	299243	1	CAPACITOR, 1000 $\rho$ F	CK60AW102M	
C2	293728	1	CAPACITOR, VARIABLE, 1.9-15.7 $\rho$ F	187-0109-5	
C3	293608	1	CAPACITOR, FILTER	1201-066	
L1	115297-1	1	INDUCTOR, .25 $\mu$ H	1840-02	
R1	299701-511	1	RESISTOR, 510 $\Omega$ , 1/4W	RC07GF511J	
R2	299701-101	1	RESISTOR, 100 $\Omega$ , 1/4W	RC07GF101J	
1A10A5	296237-1	1	LOOP CONTROL ASSEMBLY	296237-1	7-30
A1	299459-1	1	LOOP CONTROL PC BOARD ASSEMBLY	299459-1	7-30
A2	230410-1	1	3.5MHz OSCILLATOR PC BOARD ASSEMBLY	230410-1	7-30
A3	230402-1	1	COMB SOURCE PC BOARD ASSEMBLY	230402-1	7-31
A4	230683-1	1	100 MHz OSCILLATOR PC BOARD ASSEMBLY	230683-1	7-31
C1	299240-1	1	CAPACITOR, 6.8 $\mu$ F	T368B225M035AS	
FL1	293608-1	5	FILTER, FEEDTHROUGH	1201-066	7-30
FL2	293608-1		FILTER, FEEDTHROUGH	1201-066	
FL3	293608-1		FILTER, FEEDTHROUGH	1201-066	
FL4	293608-1		FILTER, FEEDTHROUGH	1201-066	
FL5	293611-1	3	FILTER, FEEDTHROUGH	1215-094	
FL6	293611-1		FILTER, FEEDTHROUGH	1215-094	
FL7	293611-1		FILTER, FEEDTHROUGH	1215-094	
FL8	293608-1		FILTER, FEEDTHROUGH	1201-066	
J1	294344-1	3	CONNECTOR	50-645-4524-31	
J2	299233-1	2	CONNECTOR	50-045-0000	
J3	294344-1		CONNECTOR	50-645-4524-31	
J4	299233-1		CONNECTOR	50-045-0000	
J5	294344-1		CONNECTOR	50-645-4524-31	
L5	231075-1	1	COIL, VARIABLE, MODIFIED	231075-1	
1A10A5A1	299459-1	1	LOOP CONTROL PC BOARD ASSEMBLY	299459-1	7-30
C1	299241-820	2	CAPACITOR, DIPPED MICA, 82 $\rho$ F, $\pm$ 5%	DM5EY-820J	
C2	299241-100	2	CAPACITOR, DIPPED MICA, 10 $\rho$ F, $\pm$ .5 $\rho$ F	DM5CC-100J	
C3	299241-270	1	CAPACITOR, DIPPED MICA, 27 $\rho$ F, $\pm$ 5%	DM5EC-270J	
C4	293747-001	6	CAPACITOR, VARIABLE, 15-60 $\rho$ F,	538-011-F-15-60	
C5	299241-080	2	CAPACITOR, DIPPED MICA, 8 $\rho$ F, $\pm$ .5 $\rho$ F	DM5CC-080D	
C6	299241-680	1	CAPACITOR, DIPPED MICA, 68 $\rho$ F, $\pm$ 5%	DM5EY-680J	
C7	293747-001		CAPACITOR, VARIABLE, 15-60 $\rho$ F	538-011-F-15-60	
C8	299241-430	2	CAPACITOR, DIPPED MICA, 43 $\rho$ F, $\pm$ 5%	DM5EC-430J	
C9	293747-001		CAPACITOR, VARIABLE, 15-60 $\rho$ F	538-011-F-15-60	
C10	299241-080		CAPACITOR, DIPPED MICA, 8 $\rho$ F, $\pm$ .5%	DM5EC-080J	
C11	299241-430		CAPACITOR, DIPPED MICA, 43 $\rho$ F, $\pm$ 5%	DM5EC-430J	
C12	293747-001		CAPACITOR, VARIABLE, 15-60 $\rho$ F	538-011-F-15-60	
C13	299241-100		CAPACITOR, DIPPED MICA, 10 $\rho$ F, $\pm$ .5 $\rho$ F	DM5CC-100J	
C14	293747-001		CAPACITOR, VARIABLE, 15-60 $\rho$ F	538-011-F-15-60	
C15	299241-560	1	CAPACITOR, DIPPED MICA, 56 $\rho$ F	DM5EC-560J	
C16	299245-1	9	CAPACITOR, CERAMIC DISC, .1 $\mu$ F	8121-050-651-104M	
C17	299245-1		CAPACITOR, CERAMIC DISC, .1 $\mu$ F	8121-050-651-104M	
C18	299245-1		CAPACITOR, CERAMIC DISC, .1 $\mu$ F	8121-050-651-104M	
C19	293746	1	CAPACITOR, VARIABLE, 2-8 $\rho$ F	538-011-A-2-8	
C20	299245-1		CAPACITOR, CERAMIC DISC, .1 $\mu$ F	8121-050-651-104M	
C21	299241-050	2	CAPACITOR, DIPPED MICA, 5 $\rho$ F, $\pm$ .5 $\rho$ F	DM5CC-050D	
C22	299241-050		CAPACITOR, DIPPED MICA, 5 $\rho$ F, $\pm$ .5 $\rho$ F	DM5CC-050D	
C23	299241-360	1	CAPACITOR, DIPPED MICA, 36 $\rho$ F, $\pm$ 5%	DM5EC-360J	

Table 8-2. Replaceable Parts List (Continued)

Reference Designation	AILTECH Part Number	Qty	Description	Mfr Part Number	Figure No.
1A10A5A1C24	299245-1		CAPACITOR, CERAMIC DISC, .1 $\mu$ F, $\pm$ 5%	8121-050-651-104M	7-30
C25	299241-820		CAPACITOR, DIPPED MICA, 82 $\rho$ F, $\pm$ 5%	DM5EY-820J	
C26	293747-001		CAPACITOR, VARIABLE, 15-60 $\rho$ F	538-011-A-15-60	
C27	299245-1		CAPACITOR, CERAMIC DISC, .1 $\mu$ F	8121-050-651-104M	
C28	299245-1		CAPACITOR, CERAMIC DISC, .1 $\mu$ F	8121-050-651-104M	
C29	293896	1	CAPACITOR, NON POLARIZED, 16 $\mu$ F	TVAN1204.3	
C30	115307-10	2	CAPACITOR, ELECTROLYTIC, 100 $\mu$ F	TE-1211	
C31	293895	1	CAPACITOR, NON POLARIZED, 10 $\mu$ F	TVAN1112.4	
C32	299245-2	1	CAPACITOR, CERAMIC, .01 $\mu$ F	8121-M058-651-103M	
C33	115307-10		CAPACITOR, ELECTROLYTIC, 100 $\mu$ F/25V	TE-1211	
C34	293712	1	CAPACITOR, NON POLARIZED, 2 $\mu$ F/50V	22 $\mu$ -A205	
C35	299245-1		CAPACITOR, CERAMIC DISC, .1 $\mu$ F	8121-050-651-104M	
C36	299245-1		CAPACITOR, CERAMIC DISC, .1 $\mu$ F	8121-050-651-104M	
CR1	230542-1	2	DIODE, SCHOTTKY BARRIER	5082-2301	
CR2	230542-1		DIODE, SCHOTTKY BARRIER	5082-2301	
E1			NOT USED		
E2			NOT USED		
E3			NOT USED		
E4	990007-001	1	TERMINAL, TURRET	1558-2-05	
L1	230531-4	6	INDUCTOR, TOROID, 21 $\mu$ H	230531-4	
L2	230531-4		INDUCTOR, TOROID, 21 $\mu$ H	230531-4	
L3	230531-4		INDUCTOR, TOROID, 21 $\mu$ H	230531-4	
L4	299237-078	2	INDUCTOR, 270 $\mu$ H, $\pm$ 10%	1025-78	
L5	230531-4		INDUCTOR, TOROID, 21 $\mu$ H	230531-4	
L6	230531-4		INDUCTOR, TOROID, 21 $\mu$ H	230531-4	
L7	230531-4		INDUCTOR, TOROID, 21 $\mu$ H	230531-4	
L8	299237-078		INDUCTOR, 270 $\mu$ H, $\pm$ 10%	1025-78	
L9	299237-072	1	INDUCTOR, 150 $\mu$ H, $\pm$ 10%	1025-72	
L10	294000	2	INDUCTOR, 100 $\mu$ H	70F104A1	
L11	294000		INDUCTOR, 100 $\mu$ H	70F104A1	
L12	299237-068	1	INDUCTOR, 100 $\mu$ H, $\pm$ 10%	1025-68	
M1	231104-1	1	MIXER, DOUBLE BALANCED	231104-1	
R1	299701-681	1	RESISTOR, 680 $\Omega$ , 1/4W, 5%	RC07GF681J	
R2	299701-431	1	RESISTOR, 430 $\Omega$ , 1/4W, 5%	RC07GF431J	
R3	299701-103	2	RESISTOR, 10K $\Omega$ , 1/4W, 5%	RC07GF103J	
R4	299709-393	3	RESISTOR, 5.11K, 1/8W, 1%	RN60C5111F	
R5	299709-256	1	RESISTOR, 243 $\Omega$ , 1/8W, 1%	RN60C2430F	
R6	299709-393		RESISTOR, 5.11K, 1/8W, 1%	RN60C5111F	
R7	299709-351	1	RESISTOR, 2K $\Omega$ , 1/8W, 1%	RN60C2001F	
R8	299709-515	1	RESISTOR, 100K, 1/8W, 1%	RN60C1003F	
R9	299709-393		RESISTOR, 5.11K, 1/8W, 1%	RN60C5111F	
R10	299701-390	2	RESISTOR, 39 $\Omega$ , 1/4W, 5%	RC07GF390J	
R11	299701-752	1	RESISTOR, 7.5K, 1/4W, 5%	RC07GF752J	
R12	299701-103		RESISTOR, 10K, 1/4W, 5%	RC07GF103J	
R13	299701-102	1	RESISTOR, 1K, 1/4W, 5%	RC07GF102J	
R14	299701-390		RESISTOR, 39 $\Omega$ , 1/4W, 5%	RC07GF390J	
T1	230531-2	1	TRANSFORMER	230531-2	
Z1	293399	1	INTEGRATED CIRCUIT	MC1550G	
Z2	293486	1	INTEGRATED CIRCUIT	USD770339X	
Z3	293354	1	INTEGRATED CIRCUIT	N5741V	
1A10A5A2	230410-1	1	3.5MHz OSCILLATOR PC BOARD ASSEMBLY	230410-1	7-31
C1			NOT USED		
C2	293838	1	CAPACITOR, 150 $\rho$ F, $\pm$ 10%	DM15151K	
C3	293839	1	CAPACITOR, 200 $\rho$ F, $\pm$ 10%	DM15201K	
C4	293820	4	CAPACITOR, .1 $\mu$ F, 75V.	DDA-104	
C5	293820		CAPACITOR, .1 $\mu$ F, 75V.	DDA-104	

Table 8-2. Replaceable Parts List (Continued)

Reference Designation	AILTECH Part Number	Qty	Description	Mfr Part Number	Figure No.
1A10A5A2C6	293820		CAPACITOR, .1 $\mu$ F, 75V.	DDA-104	7-31
C7	293820		CAPACITOR, .1 $\mu$ F, 75V.	DDA-104	
C8	299250-151	2	CAPACITOR, 150 $\rho$ F	CM0FD-151-J03	
C9	299243	1	CAPACITOR, .001 $\mu$ F	CK06AW102M	
C10	299250-331	2	CAPACITOR, 330 $\rho$ F	CM04FD-331-J03	
C11	299250-112	1	CAPACITOR, 1100 $\rho$ F	CM06FD-112-J03	
C12	299250-151		CAPACITOR, 150 $\rho$ F	CM04FD-151-J03	
C13	299250-331		CAPACITOR, 330 $\rho$ F	CM04FD-331-J03	
CR1	230479-4	1	CRYSTAL, 3.5MHz	230479-4	
L1	294000	1	INDUCTOR, 100 $\mu$ H	70F104A1	
L2	299237-048	2	INDUCTOR, 15 $\mu$ H	1025-48	
L3	299237-048		INDUCTOR, 15 $\mu$ H	1025-48	
L4	299237-028	2	INDUCTOR, 2.2 $\mu$ H	1025-28	
L5	299237-028		INDUCTOR, 2.2 $\mu$ H	1025-28	
Q1	294122	1	TRANSISTOR	2N708	
Q2	294153	1	TRANSISTOR	2N4126	
R1	299701-124	1	RESISTOR, 120K, 1/4W	RC07GF124J	
R2	299701-681	1	RESISTOR, 680 $\Omega$ , 1/4W	RC07GF681J	
R3	299701-391	1	RESISTOR, 390 $\Omega$ , 1/4W	RC07GF391J	
R4	299701-622	1	RESISTOR, 6.2K, 1/4W	RC07GF622J	
R5	299701-471	1	RESISTOR, 470 $\Omega$ , 1/2W	RC20GF471J	
R6	299701-301	1	RESISTOR, 300 $\Omega$ , 1/4W	RC07GF301J	
R7	294748	1	RESISTOR, VARIABLE, 10K	3339P-1-103	
1A10A5A3	230402-1	1	COMB SOURCE PC BOARD ASSEMBLY	230402-1	7-31
C1	299244-001	1	CAPACITOR, .01 $\mu$ F	5HKS-S10	
C2	293299	4	CAPACITOR, 2.2 $\mu$ F	CS13BE225K	
C3	293299		CAPACITOR, 2.2 $\mu$ F	CS13BE225K	
C4	293299		CAPACITOR, 2.2 $\mu$ F	CS13BE225K	
C5	293803	3	CAPACITOR, 100 $\rho$ F	DD-101	
C6	293814	2	CAPACITOR, 50 $\rho$ F	DD-500	
C7	293299		CAPACITOR, 2.2 $\mu$ F	CS13BE225K	
C8	293814		CAPACITOR, 50 $\rho$ F	DD-500	
C9	293803		CAPACITOR, 100 $\rho$ F	DD-101	
C10	299243-001	13	CAPACITOR, .001 $\mu$ F	CK60AW102M	
C11	299243-001		CAPACITOR, .001 $\mu$ F	CK60AW102M	
C12	299243-001		CAPACITOR, .001 $\mu$ F	CK60AW102M	
C13	299243-001		CAPACITOR, .001 $\mu$ F	CK60AW102M	
C14	293728	3	CAPACITOR, VARIABLE, 1.9-15.7 $\rho$ F	187-0109-5	
C15	299243-001		CAPACITOR, .001 $\mu$ F	CK60AW102M	
C16	299243-001		CAPACITOR, .001 $\mu$ F	CK60AW102M	
C17	299243-001		CAPACITOR, .001 $\mu$ F	CK60AW102M	
C18	299243-001		CAPACITOR, .001 $\mu$ F	CK60AW102M	
C19	293728		CAPACITOR, VARIABLE, 1.9-15.7 $\rho$ F	187-0109-5	
C20	299243-001		CAPACITOR, .001 $\mu$ F	CK60AW102M	
C21	299243-001		CAPACITOR, .001 $\mu$ F	CK60AW102M	
C22	299243-001		CAPACITOR, .001 $\mu$ F	CK60AW102M	
C23	299243-001		CAPACITOR, .001 $\mu$ F	CK60AW102M	
C24	299243-001		CAPACITOR, .001 $\mu$ F	CK60AW102M	
C25	293728		CAPACITOR, VARIABLE, 1.9-15.7 $\rho$ F	187-0109-5	
C26	293747	1	CAPACITOR, VARIABLE, 15-60 $\rho$ F	538-011-F15-60	
C27	293803		CAPACITOR, 100 $\rho$ F	DD-101	
CR1	230479-3	1	CRYSTAL, 2 MHz	230479-3	
CR2	230542-1	2	DIODE	HP5082-2301	
CR3	230542-1		DIODE	HP5082-2301	
CR4	230542-2	1	DIODE	HP5082-0180	

Table 8-2. Replaceable Parts List (Continued)

Reference Designation	AILTECH Part Number	Qty	Description	Mfr Part Number	Figure No.
1A10A5A3L1	115297-4	1	INDUCTOR, 3 $\mu$ H	1840-18	7-31
L2	294000	2	INDUCTOR, 100 $\mu$ H	70F104A1	
L3	294000		INDUCTOR, 100 $\mu$ H	70F104A1	
L4	115297-3	4	INDUCTOR, 1.1 $\mu$ H	1840-11	
L5	230529-1	3	INDUCTOR, FIXED	230529-1	
L6	115297-3		INDUCTOR, 1.1 $\mu$ H	1840-11	
L7	115297-3		INDUCTOR, 1.1 $\mu$ H	1840-11	
L8	230529-1		INDUCTOR, FIXED	230529-1	
L9	115297-3		INDUCTOR, 1.1 $\mu$ H	1840-11	
L10	230529-1		INDUCTOR, FIXED	230529-1	
L11	115297-1	1	INDUCTOR, .25 $\mu$ H	1840-02	
Q1	294151	2	TRANSISTOR	2N4124	
Q2	294151		TRANSISTOR	2N4124	
Q3	294153	1	TRANSISTOR	2N4126	
Q4	230541-2	3	TRANSISTOR	A210	
Q5	230541-2		TRANSISTOR	A210	
Q6	230541-2		TRANSISTOR	A210	
Q7	230541-1	1	TRANSISTOR	A209	
R1	299701-392	2	RESISTOR, 3.9K, 1/4W	RC07GF392J	
R2	299701-622	2	RESISTOR, 6.2K, 1/4W	RC07GF622J	
R3	299701-102	2	RESISTOR, 1K, 1/4W	RC07GF102J	
R4	299701-271	1	RESISTOR, 270 $\Omega$ , 1/4W	RC07GF271J	
R5	299701-392		RESISTOR, 3.9K, 1/4W	RC07GF392J	
R6	299701-622		RESISTOR, 6.2K, 1/4W	RC07GF622J	
R7	299701-100	2	RESISTOR, 10 $\Omega$ , 1/4W	RC07GF100J	
R8	299701-512	1	RESISTOR, 5.1K, 1/4W	RC07GF512J	
R9	299701-100		RESISTOR, 10 $\Omega$ , 1/4W	RC07GF100J	
R10	299701-202	1	RESISTOR, 2K, 2W	RC42GF202J	
R11	299701-563	1	RESISTOR, 56K, 1/4W	RC07GF563J	
R12	299701-510	3	RESISTOR, 51 $\Omega$ , 1/4W	RC07GF510J	
R13	299701-102		RESISTOR, 1K, 2W	RC42GF102J	
R14	299701-101	1	RESISTOR, 100 $\Omega$ , 1W	RC20GF101J	
R15	299701-510		RESISTOR, 51 $\Omega$ , 1/4W	RC07GF510J	
R16	299701-471	1	RESISTOR, 470 $\Omega$ , 2W	RC42GF471J	
R17	299701-470	1	RESISTOR, 47 $\Omega$ , 1/2W	RC20GF470J	
R18	299701-510		RESISTOR, 51 $\Omega$ , 1/4W	RC07GF510J	
R19	293667	1	RESISTOR, 200 $\Omega$ , 5W, 5%	RS5-200	
R20	299701-200	1	RESISTOR, 20 $\Omega$ , 1/2W	RC20GF200J	
1A10A5A4	230683-1	1	100 MHz OSCILLATOR PC BOARD ASSEMBLY	230683-1	7-31
C1	299244-1	4	CAPACITOR, .01 $\mu$ F	5HKS-S10	
C2	299244-1		CAPACITOR, .01 $\mu$ F	5HKS-S10	
C3	293814	1	CAPACITOR, 50 $\rho$ F	DD-500	
C4	293836	1	CAPACITOR, 10 $\rho$ F	DM15-100J	
C5	299244-1		CAPACITOR, .01 $\mu$ F	5HKS-S10	
C6	293728	3	CAPACITOR, VARIABLE, 1.9-15.7 $\rho$ F	187-0109-5	
C7			NOT USED		
C8	299243	4	CAPACITOR, .001 $\mu$ F	CK60AW102M	
C9			NOT USED		
C10	299243		CAPACITOR, .001 $\mu$ F	CK60AW102M	
C11	299243		CAPACITOR, .001 $\mu$ F	CK60AW102M	
C12	293728		CAPACITOR, VARIABLE, 1.9-15.7 $\rho$ F	187-0109-5	
C13	299243		CAPACITOR, .001 $\mu$ F	CK60AW102M	
C14	293728		CAPACITOR, VARIABLE, 1.9-15.7 $\rho$ F	187-0109-5	
C15	299240-1	1	CAPACITOR, 6.8 $\mu$ F	T368B225M035AS	
C16	299244-1		CAPACITOR, .01 $\mu$ F	5HKS-S10	
CR1	230479-2	1	CRYSTAL, 100 MHz	230479-2	

Table 8-2. Replaceable Parts List (Continued)

Reference Designation	AILTECH Part Number	Qty	Description	Mfr Part Number	Figure No.
1A10A5A4E1	293310	3	TERMINAL	1597-2-01	7-31
E2	293310		TERMINAL	1597-2-01	
E3	293310		TERMINAL	1597-2-01	
L1	115297-3	2	INDUCTOR, 1.1 $\mu$ H	1840-11	
L2	230529-2	3	INDUCTOR	230529-2	
L3	230529-2		INDUCTOR	230529-2	
L4	230529-2		INDUCTOR	230529-2	
L5	115297-3		INDUCTOR, 1.1 $\mu$ H	1840-11	
Q1	230541-2	2	TRANSISTOR	A210	
Q2	230541-1	1	TRANSISTOR	A209	
Q3	230541-2		TRANSISTOR	A210	
R1	299701-471	1	RESISTOR, 470 $\Omega$ , 1/4W	RC07GF471J	
R2	299702-820	1	RESISTOR, 82 $\Omega$ , 1/2W	RC20GF820J	
R3	299702-200	1	RESISTOR, 20 $\Omega$ , 1/2W	RC20GF200J	
R4	293653	1	RESISTOR, 27 $\Omega$ , 2.25W	G3-27 $\Omega$	
R5	299701-510	1	RESISTOR, 51 $\Omega$ , 1/4W	RC07GF510J	
R6	299701-122	1	RESISTOR, 1.2K, 1/4W	RC07GF122J	
R7	299701-472	2	RESISTOR, 4.7K, 1/4W	RC07GF472J	
R8	299701-472		RESISTOR, 4.7K, 1/4W	RC07GF472J	
R9	299701-331	1	RESISTOR, 330 $\Omega$ , 1/4W	RC07GF331J	
R10	299701-201	1	RESISTOR, 200 $\Omega$ , 1/4W	RC07GF201J	
R11	299703-20	1	RESISTOR, 16 $\Omega$ , 1W	RC32GF160J	
1A10A6	296238-1	1	LOCAL OSCILLATOR ASSEMBLY	296238-1	7-27
A1	296455-1	1	VCO SHAPER PC BOARD ASSEMBLY	296455-1	
A2	231089-1	1	VCO OSCILLATOR II PC BOARD ASSEMBLY	231089-1	
E1	293320-1	6	TERMINAL FEEDTHROUGH	FT-SM-1-TUR	
E2	293320-1		TERMINAL FEEDTHROUGH	FT-SM-1-TUR	
E3	293320-1		TERMINAL FEEDTHROUGH	FT-SM-1-TUR	
E4	990209-1		TERMINAL LUG	990209-1	
FL1	293608-1	2	FILTER, FEEDTHROUGH	1201-066	
FL2	293608-1		FILTER, FEEDTHROUGH	1201-066	
FL3	294211-1	2	FILTER, FEEDTHROUGH	17.50-003	
FL4	294211-1		FILTER, FEEDTHROUGH	17.50-003	
J1	294344-1	2	CONNECTOR	50-645-4524-31	
J2	294344-1		CONNECTOR	50-645-4524-31	
R1			NOT USED		
R2			NOT USED		
R3			NOT USED		
R4			NOT USED		
R5			NOT USED		
R6			NOT USED		
R7	299701-102	1	RESISTOR, 1K, 1/4W	RC07GF102J	
TP1	293320-1		TERMINAL FEEDTHROUGH	FT-SM-1-TUR	
TP2	293320-1		TERMINAL FEEDTHROUGH	FT-SM-1-TUR	
TP3	293320-1		TERMINAL FEEDTHROUGH	FT-SM-1-TUR	

Table 8-2. Replaceable Parts List (Continued)

Reference Designation	AILTECH Part Number	Qty	Description	Mfr Part Number	Figure No.
1A10A6A1	296455-1	1	LCVCO SHAPER PC BOARD ASSEMBLY	296455-1	7-27
C1	115307-21	1	CAPACITOR, 60 $\mu$ F, 12V	TE-1133.5	
C2	115307-27	2	CAPACITOR, 50 $\mu$ F, 25V	TE-1209	
C3	115307-27		CAPACITOR, 50 $\mu$ F, 25V	TE-1209	
C4	293810-1	1	CAPACITOR, .003 $\mu$ F	DD-302	
CR1	293261-1	1	DIODE	1N5223B	
CR2	293238-1	1	DIODE	1N825A	
CR3	299251-1	2	DIODE	1N4009	
CR4	293266-1	1	DIODE	1N5243B	
CR5	299251-1		DIODE	1N4009	
L1	299396-1	1	INDUCTOR	E2409	
Q1	294153-1	1	TRANSISTOR	2N4126	
Q2	294162-1	1	TRANSISTOR	2N4922	
Q3	294126-1	2	TRANSISTOR	2N2905	
Q4	294126-1		TRANSISTOR	2N2905	
Q5	294151-1	1	TRANSISTOR	2N4124	
R1	299701-202	1	RESISTOR, 2K, 1/4W	RC07GF202J	
R2	299701-471	3	RESISTOR, 470 $\Omega$ , 1/4W	RC07GF471J	
R3	299709-386	1	RESISTOR, 4.64K, 1/8W	RN60C4641F	
R4	299709-421	7	RESISTOR, 10K, 1/8W	RN60C1002F	
R5	299709-372	1	RESISTOR, 3.32K, 1/8W	RN60C3321F	
R6	299709-421		RESISTOR, 10K, 1/8W	RN60C1002F	
R7	299701-102	4	RESISTOR, 1K, 1/4W	RC07GF102J	
R8	299709-363	1	RESISTOR, 2.67K, 1/8W	RN60C2671F	
R9	299709-383	1	RESISTOR, 4.32K, 1/8W	RN60C4321F	
R10	299709-421		RESISTOR, 10K, 1/8W	RN60C1002F	
R11	299701-471		RESISTOR, 470 $\Omega$ , 1/4W	RC70GF471J	
R12	299709-322	1	RESISTOR, 1K, 1/8W	RN60C1001F	
R13	299709-471	1	RESISTOR, 33.2K, 1/8W	RN60C3322F	
R14	299709-411	1	RESISTOR, 7.87K, 1/8W	RN60C7871F	
R15	299709-450	2	RESISTOR, 20K, 1/8W	RN60C2002F	
R16	299709-421		RESISTOR, 10K, 1/8W	RN60C1002F	
R17	299732-1	2	RESISTOR, VARIABLE, 10K	SV1031	
R18	299783-1	1	RESISTOR, VARIABLE, 50K	3339P-1-503	
R19	299701-101	1	RESISTOR, 100 $\Omega$ , 1/4W	RC07GF101J	
R20	299709-421		RESISTOR, 10K, 1/8W	RN60C1002F	
R21	299701-471		RESISTOR, 470 $\Omega$ , 1/4W	RC07GF471J	
R22	299732-1		RESISTOR, VARIABLE, 10K	SV-1031	
R23	299701-201	1	RESISTOR, 200 $\Omega$ , 1/4W	RC07GF201J	
R24	299701-330	1	RESISTOR, 33 $\Omega$ , 1/4W	RC07GF330J	
R25	299701-100	1	RESISTOR, 10 $\Omega$ , 1/4W	RC07GF100J	
R26	299701-102		RESISTOR, 1K, 1/4W	RC07GF102J	
R27	299701-102		RESISTOR, 1K, 1/4W	RC07GF102J	
R28	299701-102		RESISTOR, 1K, 1/4W	RC07GF102J	
R29	299709-421		RESISTOR, 10K, 1/8W	RN60C1002F	
R30	299709-421		RESISTOR, 10K, 1/8W	RN60C1002F	
R31	299709-450		RESISTOR, 20K, 1/8W	RN60C2002F	
R32	299709-330		RESISTOR, 1.21K, 1/8W	RN60C1211F	
U1	293354-1	2	INTEGRATED CIRCUIT	UA741C	
U2	293354-1		INTEGRATED CIRCUIT	UA741C	
U3	293484-1	1	INTEGRATED CIRCUIT	UA747C	
XU1	294567-1	2	SOCKET, IC, 16 PIN	C931610	
XU2	294567-1		SOCKET, IC, 16 PIN	C931610	
XU3	294573-1	1	SOCKET, IC, 14 PIN	C931410	
1A10A6A2	231089-1	1	LCVCO OSCILLATOR II PC BOARD ASSEMBLY	231089-1	7-27
C1	293728	1	CAPACITOR, VARIABLE, 1.9-15.7 $\mu$ F	187-0109-5	

Table 8-2. Replaceable Parts List (Continued)

Reference Designation	AILTECH Part Number	Qty	Description	Mfr Part Number	Figure No.
1A10A6A2C2	293730	1	CAPACITOR, VARIABLE, 1.9-8.5 $\rho$ F	189-253-5	7-27
C3	293878	1	CAPACITOR, STANDOFF, 1000 $\rho$ F	SS5D-102W	
C4			NOT USED		
C5	293804	1	CAPACITOR, 1000 $\rho$ F	DD-102	
C6	299241-270	1	CAPACITOR, 27 $\rho$ F	DM5EC-270J	
C7	299241-020	2	CAPACITOR, 2 $\rho$ F	DM5CC-020D	
C8	299241-020	2	CAPACITOR, 2 $\rho$ F	DM5CC-020D	
L1			NOT USED		
L2	299237-020	2	INDUCTOR, 1 $\mu$ H	1025-20	
L3	299237-020	2	INDUCTOR, 1 $\mu$ H	1025-20	
Q1	230541-1	3	TRANSISTOR	A209	
Q2	230541-1	3	TRANSISTOR	A209	
Q3	230541-1	3	TRANSISTOR	A209	
R1	299702-271	2	RESISTOR, 270 $\Omega$ , 1/2W	RC20GF271J	
R2	299702-271	2	RESISTOR, 270 $\Omega$ , 1/2W	RC20GF271J	
R3	299701-101	1	RESISTOR, 100 $\Omega$ , 1/4W	RC07GF101J	
R4	299702-221	1	RESISTOR, 220 $\Omega$ , 1/2W	RC20GF221J	
R5	299700-047	2	RESISTOR, 4.7 $\Omega$ , 1/8W	RC05GF4R7J	
R6	299700-047	2	RESISTOR, 4.7 $\Omega$ , 1/8W	RC05GF4R7J	
R7			NOT USED		
R8	293653	1	RESISTOR, 27 $\Omega$ , 2 1/4W	G327 $\Omega$ 2.25W	
R9	299701-240	1	RESISTOR, 24 $\Omega$ , 1/4W	RC07GF240J	
R10	299701-121	1	RESISTOR, 120 $\Omega$ , 1/4W	RC07GF121J	
R11	299701-180	1	RESISTOR, 18 $\Omega$ , 1/4W	RC07GF180J	
R12	299701-301	1	RESISTOR, 300 $\Omega$ , 1/4W	RC07GF301J	
1A10A7	231079-1	1	RF SWITCH	231079-1	7-23
1A10A8	231079-1	1	RF SWITCH	231079-1	7-23
1A10A9	231079-1	1	RF SWITCH	231079-1	7-23
1A10A10	231079-1	1	RF SWITCH	231079-1	7-23
1A10A11	230191-1	1	LOW PASS FILTER	230191-1	7-23
1A10A12	299395-4	1	YIG DRIVER PC BOARD ASSEMBLY	299395-4	7-32
C1	299244-1	2	CAPACITOR, .01 $\mu$ F	5HKS-S10	
C2	299244-1	2	CAPACITOR, .01 $\mu$ F	5HKS-S10	
C3	115307-20	1	CAPACITOR, 10 $\mu$ F, 12V	TE-1128	
C4			NOT USED		
C5	115307-28	1	CAPACITOR, 2 $\mu$ F, 50V	TE-1301	
C6	293815-1	1	CAPACITOR, .005 $\mu$ F	DD-502	
C7	293790-1	1	CAPACITOR, 1.2 $\mu$ F, 20V	CSR13BE125K	
C8	299241-101	1	CAPACITOR, 100 $\rho$ F	DM5FY-101J	
C9	294075-1	1	CAPACITOR, 0.1 $\mu$ F	8121-050-651-104M	
C10	299250-432	1	CAPACITOR, 4300 $\rho$ F	CM06FD432J03	
C11	299240-1	1	CAPACITOR, 6.8 $\mu$ F, 35V	T368B685M035AS	
C12	299241-120	1	CAPACITOR, 12 $\rho$ F	DM5CC-120J	
CR1	299251-1	4	DIODE	1N4009	
CR2	299251-1	4	DIODE	1N4009	
CR3			NOT USED		
CR4	299251-1	4	DIODE	1N4009	
CR5	299251-1	4	DIODE	1N4009	
E1			NOT USED		
E2			NOT USED		



Table 8-2. Replaceable Parts List (Continued)

Reference Designation	AILTECH Part Number	Qty	Description	Mfr Part Number	Figure No.
1A10A12E3	990007-1	6	TERMINAL, TURRET	1558-2-05	7-32
E4	990007-1		TERMINAL, TURRET	1558-2-05	
E5	990007-1		TERMINAL, TURRET	1558-2-05	
E6	990007-1		TERMINAL, TURRET	1558-2-05	
E7	990007-1		TERMINAL, TURRET	1558-2-05	
E8	990007-1		TERMINAL, TURRET	1558-2-05	
K1	294780-1	3	RELAY, DPDT	712DM-26	
K2	294780-1		RELAY, DPDT	712DM-26	
K3	294780-1		RELAY, DPDT	712DM-26	
Q1	294161-1	2	TRANSISTOR	2N4919	
Q2			NOT USED		
Q3			NOT USED		
Q4			NOT USED		
Q5			NOT USED		
Q6			NOT USED		
Q7	294161-1		TRANSISTOR	2N4919	
Q8	294162-1	1	TRANSISTOR	2N4922	
Q9	294156-1	2	TRANSISTOR	2N4392	
Q10	294153-1	1	TRANSISTOR	2N4126	
Q11	294156-1		TRANSISTOR	2N4392	
R1	299709-393	3	RESISTOR, 5.11K, 1/8W	RN60C5111F	
R2	299709-506	1	RESISTOR, 75.0K, 1/8W	RN60C7502F	
R3	299709-478	1	RESISTOR, 39.2K, 1/8W	RN60C3922F	
R4	299709-432	1	RESISTOR, 13.0K, 1/8W (NOMINAL)	RN60C1302F	
R5	299701-102	2	RESISTOR, 1K, 1/4W	RC07GF102J	
R6			NOT USED		
R7	299702-511	1	RESISTOR, 510Ω, 1/2W (NOMINAL)	RC20GF511J	
R8			NOT USED		
R9	299709-393		RESISTOR, 5.11K, 1/8W	RN60C5111F	
R10	299709-424	1	RESISTOR, 10.7K, 1/8W	RN60C1072F	
R11	299709-389	1	RESISTOR, 4.75K, 1/8W	RN60C4751F	
R12	299709-380	1	RESISTOR, 4.02K, 1/8W (NOMINAL)	RN60C4021F	
R13	299701-470	2	RESISTOR, 47Ω, 1/4W	RC07GF470J	
R14			NOT USED		
R15	299702-561	1	RESISTOR, 560Ω, 1/2W (NOMINAL)	RC20GF561J	
R16			NOT USED		
R17	299701-201	1	RESISTOR, 200Ω, 1/4W	RC07GF201J	
R18	299701-101	1	RESISTOR, 100Ω, 1/4W	RC07GF101J	
R19			NOT USED		
R20			NOT USED		
R21			NOT USED		
R22	299778	2	RESISTOR, VARIABLE, 10K	3279W-1-103	
R23			NOT USED		
R24			NOT USED		
R25	299709-393		RESISTOR, 5.11K, 1/8W	RN60C5111F	
R26			NOT USED		
R27	299701-181	2	RESISTOR, 180Ω, 1/4W	RC07GF181J	
R28	299709-421	1	RESISTOR, 10.0K, 1/8W	RN60C1002F	
R29	299701-470		RESISTOR, 47Ω, 1/4W	RC07GF470J	
R30	299701-181		RESISTOR, 180Ω, 1/4W	RC07GF181J	
R31	299704-151	1	RESISTOR, 150Ω, 2W	RC42GF151J	
R32	299779	2	RESISTOR, VARIABLE, 2K	3279W-1-202	
R33	299701-104	3	RESISTOR, 100K, 1/4W	RC07GF104J	
R34	299701-104		RESISTOR, 100K, 1/4W	RC07GF104J	
R35	299701-514	1	RESISTOR, 510K, 1/4W	RC07GF514J	
R36	299777	1	RESISTOR, VARIABLE, 1K	3279W-1-102	

Table 8-2. Replaceable Parts List (Continued)

Reference Designation	AILTECH Part Number	Qty	Description	Mfr Part Number	Figure No.	
1A10A12R37	299701-105	1	RESISTOR, 1 MEG, 1/4W	RC07GF105J	7-32	
R38	299701-562	1	RESISTOR, 5.6K, 1/4W	RC07GF562J		
R39			NOT USED			
R40	299701-203	2	RESISTOR, 20K, 1/4W	RC07GF203J		
R41	299709-487	1	RESISTOR, 47.5K, 1/8W	RN60C4752F		
R42	299709-647	1	RESISTOR, 2.21 MEG, 1/8W	RN60C2214F		
R43			NOT USED			
R44	299701-100	2	RESISTOR, 10 $\Omega$ , 1/4W	RC07GF100J		
R45	299701-122	1	RESISTOR, 1.2K, 1/4W	RC07GF122J		
R46	299709-267	1	RESISTOR, 301 $\Omega$ , 1/8W	RN60C3010F		
R47	299709-432	1	RESISTOR, 13K, 1/8W	RN60C1302F		
R48	299779		RESISTOR, VARIABLE, 2K	3279W-1-202		
R49	299709-543	1	RESISTOR, 182K, 1/8W	RN60C1823F		
R50	299709-533	1	RESISTOR, 143K, 1/8W	RN60C1433F		
R51	299778	1	RESISTOR, VARIABLE, 10K	3279W-1-103		
R52	299709-413	1	RESISTOR, 8.25K, 1/8W	RN60C8251F		
R53	299709-386	1	RESISTOR, 4.64K, 1/8W	RN60C4641F		
R54	299701-103	2	RESISTOR, 10K, 1/4W	RC07GF103J		
R55	299701-102		RESISTOR, 1K, 1/4W	RC07GF102J		
R56	299701-104		RESISTOR, 100K, 1/4W	RC07GF104J		
R57	299701-103		RESISTOR, 10K, 1/4W	RC07GF103J		
R58	299701-203		RESISTOR, 20K, 1/4W	RC07GF203J		
R59	299709-487	1	RESISTOR, 47.5K, 1/8W	RN60C4752F		
R60	299701-100		RESISTOR, 10 $\Omega$ , 1/4W	RC07GF100J		
XZ1	294565-1	3	SOCKET, IC, 8 PIN	C930810		
XZ2	294565-1		SOCKET, IC, 8 PIN	C930810		
XZ3	294565-1		SOCKET, IC, 8 PIN	C930810		
Z1	293511-1	3	INTEGRATED CIRCUIT	SN72741P		
Z2	293511-1		INTEGRATED CIRCUIT	SN72741P		
Z3	293511-1		INTEGRATED CIRCUIT	SN72741P		
1A10A13	230567-2	1	MICROWAVE MIXER	230567-2		7-23
1A10A14	230195-5	1	ATTENUATOR, FIXED	230195-5		7-23
1A10A15	230195-1	1	ATTENUATOR, FIXED	230195-1	7-23	
1A10A16	230194	1	COUPLER, 6DB	230194	7-23	
1A10A17	230478	1	HARMONIC MIXER	230478	7-23	
1A10A18	230625	1	RF AMPLIFIER ASSEMBLY	230625	7-28	
C1	208674-2	2	CAPACITOR, STANDOFF, 1000 $\mu$ F	SB4A		
C2	208674-2		CAPACITOR, STANDOFF, 1000 $\mu$ F	SB4A		
C3	293608	2	CAPACITOR, FILTER	1201-066		
C4	293608		CAPACITOR, FILTER	1201-066		
C5	299893-471	1	CAPACITOR, DISC, 470 $\mu$ F	CK60AX471K		
E1	293320	1	TERMINAL, FEEDTHROUGH	FT-SM-1		
J1	294374	2	CONNECTOR, 3MM	901-190		
J2	294374		CONNECTOR, 3MM	901-190		
LC1	294907	1	TANK CIRCUIT	LC-374		
L1	299237-004	1	INDUCTOR, FIXED, .25 $\mu$ H	1025-04		
MP1	299939	1	HEAT SINK	2602TH18		
Q1	230541-5	1	TRANSISTOR	K6003		
R1	293665	1	RESISTOR, 680 $\Omega$ , 1W	RS1A-680		
R2	293663	1	RESISTOR, 450 $\Omega$ , 1W	RS1A-450		
R3	299701-102	1	RESISTOR, 1K, 1/4W	RC07GF102J		

Table 8-2. Replaceable Parts List (Continued)

Reference Designation	AILTECH Part Number	Qty	Description	Mfr Part Number	Figure No.
1A10A19	230194	1	COUPLER, 6DB	230194	7-23
1A10A20	299374	1	227 MHz BANDPASS FILTER	299374	7-23
1A10A21	230215	1	ISOLATOR, 40DB	230215	7-23
1A10A22	294468	1	ATTENUATOR, FIXED	294468	7-23
1A10A23	230224	1	LOOP MIXER	230224	7-23
1A10A24	230471-2	1	COMB GENERATOR	230471-2	7-23
1A10A25	230195-3	1	ATTENUATOR, FIXED	230195-3	7-23
1A10A26	230817	1	2060 MHz OSCILLATOR ASSEMBLY	230817	7-23
1A10A27			NOT USED		
1A10A28			NOT USED		
1A10A29	231079-1	1	RF SWITCH	231079-1	7-23
1A10A30	231079-1	1	RF SWITCH	231079-1	7-23
1A10A31	230625	1	RF AMPLIFIER ASSEMBLY	230625	7-28
C1	208674-2	2	CAPACITOR, STANDOFF, 1000pF	SB4A	
C2	208674-2	2	CAPACITOR, STANDOFF, 1000pF	SB4A	
C3	293608	2	CAPACITOR, FILTER	1201-066	
C4	293608	2	CAPACITOR, FILTER	1201-066	
C5	299893-471	1	CAPACITOR, DISC, 470pF	CK60AX471K	
E1	293320	1	TERMINAL, FEEDTHROUGH	FT-SM-1	
J1	294374	2	CONNECTOR, 3MM	901-190	
J2	294374	2	CONNECTOR, 3MM	901-190	
LC1	294907	1	TANK CIRCUIT	LC-374	
L1	299237-004	1	INDUCTOR, FIXED, 25μH	1025-04	
MP1	299939	1	HEAT SINK	2602TH18	
Q1	230541-5	1	TRANSISTOR	K6003	
R1	293665	1	RESISTOR, 680Ω, 1W	RS1A-680	
R2	293663	1	RESISTOR, 450Ω, 1W	RS1A-450	
R3	299701-102	1	RESISTOR, 1K, 1/4W	RC07GF102J	
1A10A32	299400-2	1	HEAT SINK ASSEMBLY, YIG DRIVER	299400-2	7-32
P19	294945	1	PLUG	294945	
Q2	294160	1	TRANSISTOR	2N4902	
Q3	294162	2	TRANSISTOR	2N4922	
Q4	294162	2	TRANSISTOR	2N4922	
R6	299703-100	1	RESISTOR, 10Ω, 1W	RC32GF100J	
R8	293656-2	4	RESISTOR, 20Ω, 5W	RH20-5	
R14	293656-2	4	RESISTOR, 20Ω, 5W	RH20-5	
R16	293656-2	4	RESISTOR, 20Ω, 5W	RH20-5	
R19	293656-2	4	RESISTOR, 20Ω, 5W	RH20-5	
1A10A33	231079-1	1	RF SWITCH	231079-1	7-23
1A10A34	231079-1	1	RF SWITCH	231079-1	7-23
1A10A35	230194	1	COUPLER, 6DB	230194	7-23

Table 8-2. Replaceable Parts List (Continued)

Reference Designation	AILTECH Part Number	Qty	Description	Mfr Part Number	Figure No.
1A11	296200-1	1	SWEEP GENERATOR PCB ASSEMBLY	296200-1	7-33
C1	299244-1	29	CAPACITOR, 0.01 $\mu$ F	5HKS-S10	
C2	299244-1		CAPACITOR, 0.01 $\mu$ F	5HKS-S10	
C3	299240-1	5	CAPACITOR, 6.8 $\mu$ F	T368B685M035AS	
C4	299240-1		CAPACITOR, 6.8 $\mu$ F	T368B685M035AS	
C5	299240-1		CAPACITOR, 6.8 $\mu$ F	T368B685M035AS	
C6	299240-1		CAPACITOR, 6.8 $\mu$ F	T368B685M035AS	
C7	299240-1		CAPACITOR, 6.8 $\mu$ F	T368B685M035AS	
C8	299244-1		CAPACITOR, 0.01 $\mu$ F	5HKS-S10	
C9	299244-1		CAPACITOR, 0.01 $\mu$ F	5HKS-S10	
C10	299244-1		CAPACITOR, 0.01 $\mu$ F	5HKS-S10	
C11	299244-1		CAPACITOR, 0.01 $\mu$ F	5HKS-S10	
C12	299244-1		CAPACITOR, 0.01 $\mu$ F	5HKS-S10	
C13	299244-1		CAPACITOR, 0.01 $\mu$ F	5HKS-S10	
C14	299244-1		CAPACITOR, 0.01 $\mu$ F	5HKS-S10	
C15	299243-1	5	CAPACITOR, 0.001 $\mu$ F	CK60AW102M	
C16	299240-7	1	CAPACITOR, 3.3 $\mu$ F	T368B335M035AS	
C17	299244-1		CAPACITOR, 0.01 $\mu$ F	5HKS-S10	
C18	299244-1		CAPACITOR, 0.01 $\mu$ F	5HKS-S10	
C19	299244-1		CAPACITOR, 0.01 $\mu$ F	5HKS-S10	
C20	299244-1		CAPACITOR, 0.01 $\mu$ F	5HKS-S10	
C21	299244-1		CAPACITOR, 0.01 $\mu$ F	5HKS-S10	
C22	299244-1		CAPACITOR, 0.01 $\mu$ F	5HKS-S10	
C23	299244-1		CAPACITOR, 0.01 $\mu$ F	5HKS-S10	
C24	299244-1		CAPACITOR, 0.01 $\mu$ F	5HKS-S10	
C25	299244-1		CAPACITOR, 0.01 $\mu$ F	5HKS-S10	
C26	299243-1		CAPACITOR, 0.001 $\mu$ F	CK60AW102M	
C27	299244-1		CAPACITOR, 0.01 $\mu$ F	5HKS-S10	
C28	299244-1		CAPACITOR, 0.01 $\mu$ F	5HKS-S10	
C29	299243-1		CAPACITOR, 0.001 $\mu$ F	CK60AW102M	
C30	299240-3	2	CAPACITOR, 10 $\mu$ F	T368B106M020AS	
C31	299243-1		CAPACITOR, 0.001 $\mu$ F	CK60AW102M	
C32	299244-1		CAPACITOR, 0.01 $\mu$ F	5HKS-S10	
C33	299243-1		CAPACITOR, 0.001 $\mu$ F	CK60AW102M	
C34	299240-3		CAPACITOR, 10 $\mu$ F	T368B106M020AS	
C35	299240-9	1	CAPACITOR, 150 $\mu$ F	T362D157M015AS	
C36	299244-1		CAPACITOR, 0.01 $\mu$ F	5HKS-S10	
C37	299244-1		CAPACITOR, 0.01 $\mu$ F	5HKS-S10	
C38	299244-1		CAPACITOR, 0.01 $\mu$ F	5HKS-S10	
C39	299244-1		CAPACITOR, 0.01 $\mu$ F	5HKS-S10	
C40	299244-1		CAPACITOR, 0.01 $\mu$ F	5HKS-S10	
C41	299244-1		CAPACITOR, 0.01 $\mu$ F	5HKS-S10	
C42	299244-1		CAPACITOR, 0.01 $\mu$ F	5HKS-S10	
C43	299244-1		CAPACITOR, 0.01 $\mu$ F	5HKS-S10	
CR1	299251-1	14	DIODE	1N4009	
CR2	299251-1		DIODE	1N4009	
CR3	299251-1		DIODE	1N4009	
CR4	299251-1		DIODE	1N4009	
CR5	299251-1		DIODE	1N4009	
CR6	299251-1		DIODE	1N4009	
CR7	299251-1		DIODE	1N4009	
CR8	293200-1	1	DIODE	1N645	
CR9	299251-1		DIODE	1N4009	
CR10	299251-1		DIODE	1N4009	
CR11	299251-1		DIODE	1N4009	
CR12	299251-1		DIODE	1N4009	

Table 8-2. Replaceable Parts List (Continued)

Reference Designation	AILTECH Part Number	Qty	Description	Mfr Part Number	Figure No.
1A11CR13	299251-1		DIODE	1N4009	7-33
CR14	299251-1		DIODE	1N4009	
CR15	299251-1		DIODE	1N4009	
J1	294454-1	1	HEADER, RIGHT ANGLE, 36 PIN	1-87230-8	
MP1	294968-2	1	EJECTOR, WHITE	5005-08N	
Q1	294162-1	2	TRANSISTOR	2N4922	
Q2	294161-1	2	TRANSISTOR	2N4919	
Q3	294162-1		TRANSISTOR	2N4922	
Q4	294161-1		TRANSISTOR	2N4919	
Q5	294156-1	1	TRANSISTOR	2N4392	
Q6	294151-1	1	TRANSISTOR	2N4124	
Q7	294153-1	1	TRANSISTOR	2N4126	
R1	299709-421	13	RESISTOR, 10K, 1/8W, 1%	RN60C1002F	
R2	299701-915	1	RESISTOR, 9.1M, 1/4W	RC07GF915J	
R3	299709-421		RESISTOR, 10K, 1/8W, 1%	RN60C1002F	
R4	299709-421		RESISTOR, 10K, 1/8W, 1%	RN60C1002F	
R5	299709-481	2	RESISTOR, 41.2K, 1/8W, 1%	RN60C4122F	
R6	299709-421		RESISTOR, 10K, 1/8W, 1%	RN60C1002F	
R7	299709-421		RESISTOR, 10K, 1/8W, 1%	RN60C1002F	
R8	299709-421		RESISTOR, 10K, 1/8W, 1%	RN60C1002F	
R9	299701-102	4	RESISTOR, 1K, 1/4W	RC07GF102J	
R10	299709-481		RESISTOR, 41.2K, 1/8W, 1%	RN60C4122F	
R11	299709-421		RESISTOR, 10K, 1/8W, 1%	RN60C1002J	
R12	299745-8	1	RESISTOR, VARIABLE, 2K	3009P-1-202	
R13	299709-421		RESISTOR, 10K, 1/8W, 1%	RN60C1002F	
R14	299701-103	3	RESISTOR, 10K, 1/4W	RC07GF103J	
R15	299709-681	1	RESISTOR, 26.7K, 1/8W, 1%	RN60C2672F	
R16	299701-103		RESISTOR, 10K, 1/4W	RC07GF103J	
R17	299701-104	3	RESISTOR, 100K, 1/4W	RC07GF104J	
R18	299745-9	1	RESISTOR, VARIABLE, 5K	3009P-502	
R19	299709-4	1	RESISTOR, 14.3K, 1/8W, 1%	RN60C1432F	
R20	299709-421		RESISTOR, 10K, 1/8W, 1%	RN60C1002F	
R21	299745-7	1	RESISTOR, VARIABLE, 1K	3009P-1-102	
R22	299701-102		RESISTOR, 1K, 1/4W	RC07GF102J	
R23	299709-421		RESISTOR, 10K, 1/8W, 1%	RN60C1002J	
R24	299709-421		RESISTOR, 10K, 1/8W, 1%	RN60C1002J	
R25	299709-421		RESISTOR, 10K, 1/8W, 1%	RN60C1002J	
R26	299709-441	2	RESISTOR, 16.2K, 1/8W, 1%	RN60C1622F	
R27	299709-450	3	RESISTOR, 20K, 1/8W, 1%	RN60C2002F	
R28	299709-450		RESISTOR, 20K, 1/8W, 1%	RN60C2002F	
R29			NOT USED		
R30			NOT USED		
R31			NOT USED		
R32			NOT USED		
R33	299709-421		RESISTOR, 10K, 1/8W, 1%	RN60C1002F	
R34	299709-391	1	RESISTOR, 4.99K, 1/8W, 1%	RN60C499F	
R35	299709-441		RESISTOR, 16.2K, 1/8W, 1%	RN60C1622F	
R36			NOT USED		
R37	299709-450		RESISTOR, 20K, 1/8W, 1%	RN60C2002F	
R38	299701-102		RESISTOR, 1K, 1/4W	RC07GF102J	
R39	299701-182	1	RESISTOR, 1.8K, 1/4W	RC07GF182J	
R40	299701-223	1	RESISTOR, 22K, 1/4W	RC07GF223J	
R41	299701-472	3	RESISTOR, 4.7K, 1/4W	RC07GF472J	
R42	299745-10	2	RESISTOR, VARIABLE, 10K	3009P-1-103	
R43	299745-10		RESISTOR, VARIABLE, 10K	3009P-1-103	
R44	299709-322	4	RESISTOR, 1K, 1/8W, 1%	RN60C1001F	
R45	299709-322		RESISTOR, 1K, 1/8W, 1%	RN60C1001F	

Table 8-2. Replaceable Parts List (Continued)

Reference Designation	AILTECH Part Number	Qty	Description	Mfr Part Number	Figure No.
1A11R46	299701-104		RESISTOR, 100K, 1/4W	RC07GF104J	7-33
R47	299701-104		RESISTOR, 100K, 1/4W	RC07GF104J	
R48	299701-511	1	RESISTOR, 510Ω, 1/4W	RC07GF511J	
R49	299709-322		RESISTOR, 1K, 1/8W, 1%	RN60C1001F	
R50	299709-322		RESISTOR, 1K, 1/8W, 1%	RN60C1001F	
R51	299701-512	1	RESISTOR, 5.1K, 1/4W	RC07GF512J	
R52	299709-518	1	RESISTOR, 100K, 1/8W, 1%	RC60C1003F	
R53	299701-103		RESISTOR, 10K, 1/4W	RC07GF103J	
R54	299701-472		RESISTOR, 4.7K, 1/4W	RC07GF472J	
R55	299701-333	1	RESISTOR, 33K, 1/4W	RC07GF333J	
R56	299701-163	1	RESISTOR, 16K, 1/4W	RC07GF163J	
R57	299701-302	1	RESISTOR, 3K, 1/4W	RC07GF302J	
R58	299701-392	3	RESISTOR, 3.9K, 1/4W	RC07GF392J	
R59	299701-392		RESISTOR, 3.9K, 1/4W	RC07GF392J	
R60	299701-472	1	RESISTOR, 4.7K, 1/4W	RC07GF472J	
R61	299701-392		RESISTOR, 3.9K, 1/4W	RC07GF392J	
R62	299701-472		RESISTOR, 4.7K, 1/4W	RC07GF472J	
R63	299701-102		RESISTOR, 1K, 1/4W	RC07GF102J	
R64	299701-221	1	RESISTOR, 220Ω, 1/4W	RC07GF221J	
TP1	293310-1	4	TERMINAL	1597-2-01	
TP2	293310-1		TERMINAL	1597-2-01	
TP3			NOT USED		
TP4	293310-1		TERMINAL	1597-2-01	
TP5	293310-1		TERMINAL	1597-2-01	
XQ5	293999-1	1	TRANSIPAD	10216DAP	
XZ1			NOT USED		
XZ2	294565-1	9	SOCKET, IC, 8 PIN	C930810	
XZ3	294565-1		SOCKET, IC, 8 PIN	C930810	
XZ4	294573-1	7	SOCKET, IC, 14 PIN	C931410	
XZ5	294573-1		SOCKET, IC, 14 PIN	C931410	
XZ6	294565-1		SOCKET, IC, 8 PIN	C930810	
XZ7	294573-1		SOCKET, IC, 14 PIN	C931410	
XZ8	294573-1		SOCKET, IC, 14 PIN	C931410	
XZ9	294573-1		SOCKET, IC, 14 PIN	C931410	
XZ10	294573-1		SOCKET, IC, 14 PIN	C931410	
XZ11	294565-1		SOCKET, IC, 8 PIN	C930810	
XZ12	294573-1		SOCKET, IC, 14 PIN	C931410	
XZ13	294565-1		SOCKET, IC, 8 PIN	C930810	
XZ14	294565-1		SOCKET, IC, 8 PIN	C930810	
XZ15	294565-1		SOCKET, IC, 8 PIN	C930810	
XZ16	294565-1		SOCKET, IC, 8 PIN	C930810	
XZ17	294565-1		SOCKET, IC, 8 PIN	C930810	
Z1			NOT USED		
Z2	293354-1	9	INTEGRATED CIRCUIT	N5741V	
Z3	293354-1		INTEGRATED CIRCUIT	N5741V	
Z4	293462-1	4	INTEGRATED CIRCUIT	SN72710N	
Z5	293462-1		INTEGRATED CIRCUIT	SN72710N	
Z6	293354-1		INTEGRATED CIRCUIT	N5741V	
Z7	293366-1	3	INTEGRATED CIRCUIT	SN7400N	
Z8	293462-1		INTEGRATED CIRCUIT	SN72710N	
Z9	293366-1		INTEGRATED CIRCUIT	SN7400N	
Z10	293366-1		INTEGRATED CIRCUIT	SN7400N	
Z11	293354-1		INTEGRATED CIRCUIT	N5741V	
Z12	293462-1		INTEGRATED CIRCUIT	SN72710N	
Z13	293354-1		INTEGRATED CIRCUIT	N5741V	
Z14	293354-1		INTEGRATED CIRCUIT	N5741V	

Table 8-2. Replaceable Parts List (Continued)

Reference Designation	AILTECH Part Number	Qty	Description	Mfr Part Number	Figure No.
1A11Z15	293354-1		INTEGRATED CIRCUIT	N5741V	7-33
Z16	293354-1		INTEGRATED CIRCUIT	N5741V	
Z17	293354-1		INTEGRATED CIRCUIT	N5741V	
1A12	296202-1	1	PROCESSED VIDEO PCB ASSEMBLY	296202-1	7-34
C1	299240-1	5	CAPACITOR, 6.8 $\mu$ F	T368B685M035AS	
C2	299240-1		CAPACITOR, 6.8 $\mu$ F	T368B685M035AS	
C3	299240-1		CAPACITOR, 6.8 $\mu$ F	T368B685M035AS	
C4	299244-1	10	CAPACITOR, 0.01 $\mu$ F	5HKS-S10	
C5	299244-1		CAPACITOR, 0.01 $\mu$ F	5HKS-S10	
C6	299244-1		CAPACITOR, 0.01 $\mu$ F	5HKS-S10	
C7	299240-1		CAPACITOR, 6.8 $\mu$ F	T368B685M035AS	
C8	299244-1		CAPACITOR, 0.01 $\mu$ F	5HKS-S10	
C9	293802-1	2	CAPACITOR, 10 $\rho$ F	DD-100	
C10	293802-1		CAPACITOR, 10 $\rho$ F	DD-100	
C11	293810-1	1	CAPACITOR, 0.003 $\mu$ F	DD-302	
C12	294284-1	2	CAPACITOR, 0.02 $\mu$ F	562CZ5UBA101AH203M	
C13	299245-1	1	CAPACITOR, 0.1 $\mu$ F	8121-050-651-104M	
C14	299243-1	4	CAPACITOR, 0.001 $\mu$ F	CK60	
C15	299244-1		CAPACITOR, 0.01 $\mu$ F	5HKS-S10	
C16	299244-1		CAPACITOR, 0.01 $\mu$ F	5HKS-S10	
C17	299243-1		CAPACITOR, 0.001 $\mu$ F	CK60	
C18	299244-1		CAPACITOR, 0.01 $\mu$ F	5HKS-S10	
C19	299244-1		CAPACITOR, 0.01 $\mu$ F	5HKS-S10	
C20	294284-1		CAPACITOR, 0.02 $\mu$ F	562CZ5UBA101AH203M	
C21	293821-1	1	CAPACITOR, 30 $\rho$ F	DD300	
C22	299244-1		CAPACITOR, 0.01 $\mu$ F	5HKS-S10	
C23	299243-1		CAPACITOR, 0.001 $\mu$ F	CK60	
C24	299243-1		CAPACITOR, 0.001 $\mu$ F	CK60	
C25	299244-1		CAPACITOR, 0.01 $\mu$ F	5HKS-S10	
C26	299240-1		CAPACITOR, 6.8 $\mu$ F	T368B685M035AS	
CR1	299251-1	9	DIODE	1N4009	
CR2	299251-1		DIODE	1N4009	
CR3	299251-1		DIODE	1N4009	
CR4	299251-1		DIODE	1N4009	
CR5	299251-1		DIODE	1N4009	
CR6	299251-1		DIODE	1N4009	
CR7	299251-1		DIODE	1N4009	
CR8	299251-1		DIODE	1N4009	
CR9	299251-1		DIODE	1N4009	
CR10	293238-1	1	DIODE	1N825A	
CR11	114233-2		2	DIODE	1N2071
CR12	114233-2			DIODE	1N2071
J1	299933-1	1	HEADER, RIGHT ANGLE, 26 PIN	1-87230-3	
MP1	294968-2	1	EJECTOR, WHITE	5005-08N	
Q1	294153-1	3	TRANSISTOR	2N4126	
Q2	294153-1		TRANSISTOR	2N4126	
Q3	294151-1	12	TRANSISTOR	2N4124	
Q4	294153-1		TRANSISTOR	2N4126	
Q5	294151-1		TRANSISTOR	2N4124	
Q6	294151-1		TRANSISTOR	2N4124	
Q7			NOT USED		
Q8	294151-1		TRANSISTOR	2N4124	
Q9	294151-1		TRANSISTOR	2N4124	
Q10	294151-1		TRANSISTOR	2N4124	
Q11	294156-1	5	TRANSISTOR	2N4392	

Table 8-2. Replaceable Parts List (Continued)

Reference Designation	AILTECH Part Number	Qty	Description	Mfr Part Number	Figure No.
1A12Q12	294156-1		TRANSISTOR	2N4392	7-34
Q13	294156-1		TRANSISTOR	2N4392	
Q14	294156-1		TRANSISTOR	2N4392	
Q15	294151-1		TRANSISTOR	2N4124	
Q16	294151-1		TRANSISTOR	2N4124	
Q17	294151-1		TRANSISTOR	2N4124	
Q18	294156-1		TRANSISTOR	2N4392	
Q19	294151-1		TRANSISTOR	2N4124	
Q20	294157-1	1	TRANSISTOR	2N4401	
Q21	294158-1	1	TRANSISTOR	2N4403	
Q22	294151-1		TRANSISTOR	2N4124	
Q23			NOT USED		
Q24	294151-1		TRANSISTOR	2N4124	
R1	299701-101	3	RESISTOR, 100 $\Omega$ , 1/4W	RC07GF101J	
R2	299712-340	2	RESISTOR, 280 $\Omega$ , 1/4W, 1%	RN65C2800F	
R3	299709-227	2	RESISTOR, 121 $\Omega$ , 1/8W, 1%	RN60C1210F	
R4	299701-101		RESISTOR, 100 $\Omega$ , 1/4	RC07GF101J	
R5	299709-411	1	RESISTOR, 7.87K, 1/8W, 1%	RN60C7871F	
R6	299709-421	5	RESISTOR, 10K, 1/8W, 1%	RN60C1002F	
R7	299701-153	1	RESISTOR, 15K, 1/4W	RC07GF153J	
R8	299745-13	1	RESISTOR, VARIABLE, 50K	3009P-1-503	
R9	299701-103	13	RESISTOR, 10K, 1/4W	RC07GF103J	
R10	299701-103		RESISTOR, 10K, 1/4W	RC07GF103J	
R11	299701-473	7	RESISTOR, 47K, 1/4W	RC07GF473J	
R12	299717-314	1	RESISTOR, 154 $\Omega$ , 1/2W, 1%	RN70C1540F	
R13	299701-103		RESISTOR, 10K, 1/4W	RC07GF103J	
R14	299701-103		RESISTOR, 10K, 1/4W	RC07GF103J	
R15	299709-227		RESISTOR, 121 $\Omega$ , 1/8W, 1%	RN60C1210F	
R16	299701-473		RESISTOR, 47K, 1/4W	RC07GF473J	
R17	299701-103		RESISTOR, 10K, 1/4W	RC07GF103J	
R18	299701-103		RESISTOR, 10K, 1/4W	RC07GF103J	
R19	299701-473		RESISTOR, 47K, 1/4W	RC07GF473J	
R20			NOT USED		
R21	299712-340		RESISTOR, 280 $\Omega$ , 1/4W, 1%	RN65C2800F	
R22	299745-9	2	RESISTOR, VARIABLE, 5K	3009P-1-502	
R23	299701-202	1	RESISTOR, 2K, 1/4W	RC07GF202J	
R24	299745-10	5	RESISTOR, VARIABLE, 10K	3009P-1-103	
R25	299745-10		RESISTOR, VARIABLE, 10K	3009P-1-103	
R26	299709-421		RESISTOR, 10K, 1/8W, 1%	RN60C1002F	
R27	299709-450	2	RESISTOR, 20K, 1/4W, 1%	RN60C2002F	
R28	299709-551	1	RESISTOR, 221K, 1/8W, 1%	RN60C2213F	
R29	299709-421		RESISTOR, 10K, 1/8W, 1%	RN60C1002F	
R30	299709-450		RESISTOR, 20K, 1/4W, 1%	RN60C2002F	
R31	299745-10		RESISTOR, VARIABLE, 10K	3009P-1-103	
R32	299745-10		RESISTOR, VARIABLE, 10K	3009P-1-103	
R33	299709-421		RESISTOR, 10K, 1/8W, 1%	RN60C1002F	
R34	299701-102	10	RESISTOR, 1K, 1/4W	RC07GF102J	
R35			NOT USED		
R36	299745-9		RESISTOR, VARIABLE, 5K	3009P-1-502	
R37	299701-362	3	RESISTOR, 3.6K, 1/4W	RC07GF362J	
R38	299701-104	6	RESISTOR, 100K, 1/4W	RC07GF104J	
R39	299701-302	3	RESISTOR, 3K, 1/4W	RC07GF302J	
R40	299701-104		RESISTOR, 100K, 1/4W	RC07GF104J	
R41	299701-302		RESISTOR, 3K, 1/4W	RC07GF302J	
R42	299701-102		RESISTOR, 1K, 1/4W	RC07GF102J	
R43	299701-473		RESISTOR, 47K, 1/4W	RC07GF473J	



Table 8-2. Replaceable Parts List (Continued)

Reference Designation	AILTECH Part Number	Qty	Description	Mfr Part Number	Figure No.
1A12R44	299701-472	1	RESISTOR, 4.7K, 1/4W	RC07GF472J	7-34
R45	299701-473		RESISTOR, 47K, 1/4W	RC07GF473J	
R46	299701-302		RESISTOR, 3K, 1/4W	RC07GF302J	
R47	299745-10		RESISTOR, VARIABLE, 10K	3009P-1-103	
R48	299701-473		RESISTOR, 47K, 1/4W	RC07GF473J	
R49	299701-103		RESISTOR, 10K, 1/4W	RC07GF103J	
R50	299701-104		RESISTOR, 100K, 1/4W	RC07GF104J	
R51	299701-104		RESISTOR, 100K, 1/4W	RC07GF104J	
R52	299701-104		RESISTOR, 100K, 1/4W	RC07GF104J	
R53	299701-124	1	RESISTOR, 120K, 1/4W	RC07GF124J	
R54	299701-511	2	RESISTOR, 510Ω, 1/4W	RC07GF511J	
R55	299701-103		RESISTOR, 10K, 1/4W	RC07GF103J	
R56	299701-511		RESISTOR, 510Ω, 1/4W	RC07GF511J	
R57	299701-103		RESISTOR, 10K, 1/4W	RC07GF103J	
R58	299701-102		RESISTOR, 1K, 1/4W	RC07GF102J	
R59	299701-103		RESISTOR, 10K, 1/4W	RC07GF103J	
R60	299701-103		RESISTOR, 10K, 1/4W	RC07GF103J	
R61	299701-102		RESISTOR, 1K, 1/4W	RC07GF102J	
R62	299701-102		RESISTOR, 1K, 1/4W	RC07GF102J	
R63	299701-103		RESISTOR, 10K, 1/4W	RC07GF103J	
R64	299701-362		RESISTOR, 3.6K, 1/4W	RC07GF362J	
R65	299701-203	2	RESISTOR, 20K, 1/4W	RC07GF203J	
R66	299701-362		RESISTOR, 3.6K, 1/4W	RC07GF362J	
R67	299701-102		RESISTOR, 1K, 1/4W	RC07GF102J	
R68	299701-203		RESISTOR, 20K, 1/4W	RC07GF203J	
R69	299701-104		RESISTOR, 100K, 1/4W	RC07GF104J	
R70	299701-112	1	RESISTOR, 1.1K, 1/4W	RC07GF112J	
R71	299701-152	2	RESISTOR, 1.5K, 1/4W	RC07GF152J	
R72	299701-102		RESISTOR, 1K, 1/4W	RC07GF102J	
R73	299701-911	2	RESISTOR, 910Ω, 1/4W	RC07GF911J	
R74	299701-271	1	RESISTOR, 270Ω, 1/4W	RC07GF271J	
R75	299701-241	1	RESISTOR, 240Ω, 1/4W	RC07GF241J	
R76	299701-102		RESISTOR, 1K, 1/4W	RC07GF102J	
R77	299701-102		RESISTOR, 1K, 1/4W	RC07GF102J	
R78	299701-102		RESISTOR, 1K, 1/4W	RC07GF102J	
R79	299701-152		RESISTOR, 1.5K, 1/4W	RC07GF152J	
R80	299701-100	1	RESISTOR, 10Ω, 1/4W	RC07GF100J	
R81			NOT USED		
R82	299701-103		RESISTOR, 10K, 1/4W	RC07GF103J	
R83			NOT USED		
R84	299701-911		RESISTOR, 910Ω, 1/4W	RC07GF911J	
R85	299701-101		RESISTOR, 100Ω, 1/4W	RC07GF101J	
R86			NOT USED		
R100	299709-421		RESISTOR, 10K, 1/8W, 1%	RN60C1002F	
TP1	293310-1	3	TERMINAL	1597-2-01	
TP2	293310-1		TERMINAL	1597-2-01	
TP3	293310-1		TERMINAL	1597-2-01	
XQ11	293999-1	5	TRANSIPAD	10216	
XQ12	293999-1		TRANSIPAD	10216	
XQ13	293999-1		TRANSIPAD	10216	
XQ14	293999-1		TRANSIPAD	10216	
XQ18	293999-1		TRANSIPAD	10216	
XZ1	294565-1	3	SOCKET, IC, 8 PIN	C930810	
XZ2	294565-1		SOCKET, IC, 8 PIN	C930810	
XZ3	294565-1		SOCKET, IC, 8 PIN	C930810	
XZ4	294573-1	3	SOCKET, IC, 14 PIN	C931410	

Table 8-2. Replaceable Parts List (Continued)

Reference Designation	AILTECH Part Number	Qty	Description	Mfr Part Number	Figure No.
1A12XZ5	294573-1		SOCKET, IC, 14 PIN	C931410	7-34
XZ6	294573-1		SOCKET, IC, 14 PIN	C931410	
Z1	293391-1	3	INTEGRATED CIRCUIT	LM741CN	
Z2	293391-1		INTEGRATED CIRCUIT	LM741CN	
Z3	293391-1		INTEGRATED CIRCUIT	LM741CN	
Z4	294498-2	1	INTEGRATED CIRCUIT	LM308D	
Z5	293462-1	1	INTEGRATED CIRCUIT	SN72710N	
Z6	293366-1	1	INTEGRATED CIRCUIT	SN7400N	
1A13	296204-1	1	REGULATOR BIAS PCB ASSEMBLY	296204-1	7-35
C1	299240-4	3	CAPACITOR, 100 $\mu$ F	T362D-107M020AS	
C2	299240-1	5	CAPACITOR, 6.8 $\mu$ F	T368B685M035AS	
C3	299240-1		CAPACITOR, 6.8 $\mu$ F	T368B685M035AS	
C4	299240-1		CAPACITOR, 6.8 $\mu$ F	T368B685M035AS	
C5	299244-1	10	CAPACITOR, .01 $\mu$ F	5HKS-S10	
C6	299244-1		CAPACITOR, .01 $\mu$ F	5HKS-S10	
C7	299244-1		CAPACITOR, .01 $\mu$ F	5HKS-S10	
C8	299245-9	6	CAPACITOR, .1 $\mu$ F	8131-M108-X7R0-104K	
C9	299240-4		CAPACITOR, 100 $\mu$ F	T362D-107M020AS	
C10	299244-1		CAPACITOR, .01 $\mu$ F	5HKS-S10	
C11	299245-9		CAPACITOR, .1 $\mu$ F	8131-M108-X7R0-104K	
C12	299245-9		CAPACITOR, .1 $\mu$ F	8131-M108-X7R0-104K	
C13	293920-1	1	CAPACITOR, 27 $\mu$ F	CS13BC276K	
C14	299240-4		CAPACITOR, 100 $\mu$ F	T362D-107M020AS	
C15	299244-1		CAPACITOR, .01 $\mu$ F	5HKS-S10	
C16	299245-9		CAPACITOR, .1 $\mu$ F	8131-M108-X7R0-104K	
C17	299244-1		CAPACITOR, .01 $\mu$ F	5HKS-S10	
C18	299240-1		CAPACITOR, 6.8 $\mu$ F	T368B685M035AS	
C19	299240-1		CAPACITOR, 6.8 $\mu$ F	T368B685M035AS	
C20	299244-1		CAPACITOR, .01 $\mu$ F	5HKS-S10	
C21	299244-1		CAPACITOR, .01 $\mu$ F	5HKS-S10	
C22	299244-1		CAPACITOR, .01 $\mu$ F	5HKS-S10	
C23	299245-9		CAPACITOR, .1 $\mu$ F	8131-M108-X7R0-104K	
C24	299245-9		CAPACITOR, .1 $\mu$ F	8131-M108-X7R0-104K	
C25	299244-1		CAPACITOR, .01 $\mu$ F	5HKS-S10	
CR1	299251-1	8	DIODE	1N4009	
CR2	299251-1		DIODE	1N4009	
CR3	299251-1		DIODE	1N4009	
CR4	299251-1		DIODE	1N4009	
CR5	299251-1		DIODE	1N4009	
CR6	293263-1	1	DIODE	1N5234B	
CR7	299251-1		DIODE	1N4009	
CR8	293266-1	1	DIODE	1N5243B	
CR9	293262-1	1	DIODE	1N5231B	
CR10	293238-1	1	DIODE	1N825A	
CR11	293204-1	2	DIODE	1N3024B	
CR12	293204-1		DIODE	1N3024B	
CR13	299251-1		DIODE	1N4009	
CR14	299251-1		DIODE	1N4009	
E1	293310-1	7	TERMINAL	1597-2-01	
E2	293310-1		TERMINAL	1597-2-01	
J1	294454-1	1	HEADER, RIGHT ANGLE, 36 PIN	1-87230-8	
K1	294776-1	1	RELAY	GB835C-6	
MP1	294968-2	1	EJECTOR, WHITE	5005-08N	
Q1	294155-1	1	TRANSISTOR	2N4235	
Q2	294161-1	2	TRANSISTOR	2N4919	

Table 8-2. Replaceable Parts List (Continued)

Reference Designation	AILTECH Part Number	Qty	Description	Mfr Part Number	Figure No.
1A13Q3	294162-1	1	TRANSISTOR	2N4922	7-35
Q4	294153-1	2	TRANSISTOR	2N4126	
Q5	294157-1	1	TRANSISTOR	2N4401	
Q6			NOT USED		
Q7	294153-1		TRANSISTOR	2N4126	
Q8	294161-1		TRANSISTOR	2N4919	
R1	299701-153	1	RESISTOR, 15K, 1/4W	RC07GF153J	
R2	299745-10	6	RESISTOR, VARIABLE, 10K	3009P-1-103	
R3	299745-10		RESISTOR, VARIABLE, 10K	3009P-1-103	
R4	299745-10		RESISTOR, VARIABLE, 10K	3009P-1-103	
R5	299745-10		RESISTOR, VARIABLE, 10K	3009P-1-103	
R6	299745-10		RESISTOR, VARIABLE, 10K	3009P-1-103	
R7	299702-102	1	RESISTOR, 1K, 1/2W	RC20GF102J	
R8	299701-112	1	RESISTOR, 1.1K, 1/4W	RC07GF112J	
R9	299701-102	1	RESISTOR, 1K, 1/4W	RC07GF102J	
R10	299709-339	1	RESISTOR, 1.5K, 1/8W, 1%	RN60C1501F	
R11	299701-122	1	RESISTOR, 1.2K, 1/4W	RC07GF122J	
R12	299702-101	2	RESISTOR, 100Ω, 1/2W	RC20GF101J	
R13	299709-368	1	RESISTOR, 3.01K, 1/8W, 1%	RN60C3011F	
R14	299709-326	1	RESISTOR, 1.1K, 1/8W, 1%	RN60C1101F	
R15	299745-10		RESISTOR, VARIABLE, 10K	3009P-1-103	
R16	299701-471	1	RESISTOR, 470Ω, 1/4W	RC07GF471J	
R17	299701-241	1	RESISTOR, 240Ω, 1/4W	RC07GF241J	
R18	299701-391	1	RESISTOR, 390Ω, 1/4W	RC07GF391J	
R19	299701-203	1	RESISTOR, 20K, 1/4W	RC07GF203J	
R20	299702-101		RESISTOR, 100Ω, 1/2W	RC20GF101J	
R21	299709-351	1	RESISTOR, 2K, 1/8W, 1%	RN60C2001F	
R22	299709-287	1	RESISTOR, 464Ω, 1/8W, 1%	RN60C4640F	
R23	299709-369	3	RESISTOR, 3.09K, 1/8W, 1%	RN60C3091F	
R24	299709-369		RESISTOR, 3.09K, 1/8W, 1%	RN60C3091F	
R25	299709-369		RESISTOR, 3.09K, 1/8W, 1%	RN60C3091F	
R26	299709-400	1	RESISTOR, 6.04K, 1/8W, 1%	RN60C6041F	
R27	299709-421	3	RESISTOR, 10K, 1/8W, 1%	RN60C1002F	
R28	299704-180	2	RESISTOR, 18Ω, 2W	RC42GF180J	
R29	299701-101	3	RESISTOR, 100Ω, 1/4W	RC07GF101J	
R30	299709-360	1	RESISTOR, 2.49K, 1/8W, 1%	RN60C2491F	
R31	299704-360	1	RESISTOR, 36Ω, 2W	RC42GF360J	
R32	299709-367	1	RESISTOR, 2.94K, 1/8W, 1%	RN60C2941F	
R33	299701-101		RESISTOR, 100Ω, 1/4W	RC07GF101J	
R34	299709-396	1	RESISTOR, 5.49K, 1/8W, 1%	RN60C5491F	
R35	299745-9	1	RESISTOR, VARIABLE, 5K	3009P-1-502	
R36	299709-393	1	RESISTOR, 5.11K, 1/8W, 1%	RN60C5001F	
R37	299745-6	2	RESISTOR, VARIABLE, 500Ω	3009P-1-501	
R38	299745-6		RESISTOR, VARIABLE, 500Ω	3009P-1-501	
R39	299701-221	1	RESISTOR, 200Ω, 1/4W	RC07GF221J	
R40	299701-101		RESISTOR, 100Ω, 1/4W	RC07GF101J	
R41	299709-219	1	RESISTOR, 100Ω, 1/8W, 1%	RN60C1000F	
R42	299709-421		RESISTOR, 10K, 1/8W, 1%	RN60C1002F	
R43	299709-421		RESISTOR, 10K, 1/8W, 1%	RN60C1002F	
R44	299709-322	3	RESISTOR, 1K, 1/8W, 1%	RN60C1001F	
R45	299709-322		RESISTOR, 1K, 1/8W, 1%	RN60C1001F	
R46	299709-322		RESISTOR, 1K, 1/8W, 1%	RN60C1001F	
R47	299701-332	1	RESISTOR, 3.3K, 1/4W	RC07GF332J	
TP1	293310-1		TERMINAL	1597-2-01	
TP2	293310-1		TERMINAL	1597-2-01	
TP3	293310-1		TERMINAL	1597-2-01	

Table 8-2. Replaceable Parts List (Continued)

Reference Designation	AILTECH Part Number	Qty	Description	Mfr Part Number	Figure No.	
1A13TP4	293310-1		TERMINAL	1597-2-01	7-35	
TP5	293310-1		TERMINAL	1597-2-01		
VR1	294118-1	1	ZENER DIODE	2N1595		
XK1	294573		SOCKET, 14 PIN	C931410		
XZ1	294565	5	SOCKET, IC, 8 PIN	C930810		
XZ2	294565		SOCKET, IC, 8 PIN	C930810		
XZ3	294565		SOCKET, IC, 8 PIN	C930810		
XZ4	294565		SOCKET, IC, 8 PIN	C930810		
XZ5	294573	3	SOCKET, 14 PIN	C931410		
XZ6	294573		SOCKET, 14 PIN	C931410		
XZ7	294573		SOCKET, 14 PIN	C931410		
XZ8	294567	1	SOCKET, 16 PIN	C931610		
XZ9	294574	1	SOCKET, 18 PIN	C931810		
XZ10	294565		SOCKET, 8 PIN	C930810		
Z1	293354	5	INTEGRATED CIRCUIT	N5741V		
Z2	293354		INTEGRATED CIRCUIT	N5741V		
Z3	293354		INTEGRATED CIRCUIT	N5741V		
Z4	293354		INTEGRATED CIRCUIT	N5741V		
Z5	293366	1	INTEGRATED CIRCUIT	SN7400N		
Z6	293466	1	INTEGRATED CIRCUIT	SN74121N		
Z7	293409	1	D/A CONVERTER	MN3001		
Z8	293587	1	INTEGRATED CIRCUIT	SN74LS368N		
Z9	294593	1	A/D CONVERTER	AD571JD		
Z10	293354		INTEGRATED CIRCUIT	N5741V		
1A14	296206-1	1	DIGITAL DISPLAY #2 PC BOARD ASSEMBLY	296206-1		7-36
C1	299244-1	23	CAPACITOR, .01 $\mu$ F	5HKS-S10		
C2	299240-1	6	CAPACITOR, 6.8 $\mu$ F	T368B685M035AS		
C3	299244-1		CAPACITOR, .01 $\mu$ F	5HKS-S10		
C4	299240-1		CAPACITOR, 6.8 $\mu$ F	T368B685M035AS		
C5	299244-1		CAPACITOR, .01 $\mu$ F	5HKS-S10		
C6	299240-1		CAPACITOR, 6.8 $\mu$ F	T368B685M035AS		
C7	293920-1	2	CAPACITOR, 27 $\mu$ F	CS13BC276K		
C8	293920-1		CAPACITOR, 27 $\mu$ F	CS13BC276K		
C9	299244-1		CAPACITOR, .01 $\mu$ F	5HKS-S10		
C10	299244-1		CAPACITOR, .01 $\mu$ F	5HKS-S10		
C11	299244-1		CAPACITOR, .01 $\mu$ F	5HKS-S10		
C12	299244-1		CAPACITOR, .01 $\mu$ F	5HKS-S10		
C13	293290-1	1	CAPACITOR, .22 $\mu$ F	MCK-1862		
C14	299244-1		CAPACITOR, .01 $\mu$ F	5HKS-S10		
C15	299244-1		CAPACITOR, .01 $\mu$ F	5HKS-S10		
C16	299244-1		CAPACITOR, .01 $\mu$ F	5HKS-S10		
C17	299244-1		CAPACITOR, .01 $\mu$ F	5HKS-S10		
C18	299244-1		CAPACITOR, .01 $\mu$ F	5HKS-S10		
C19			NOT USED			
C20	299244-1		CAPACITOR, .01 $\mu$ F	5HKS-S10		
C21	299244-1		CAPACITOR, .01 $\mu$ F	5HKS-S10		
C22	299244-1		CAPACITOR, .01 $\mu$ F	5HKS-S10		
C23	299244-1		CAPACITOR, .01 $\mu$ F	5HKS-S10		
C24	299240-1		CAPACITOR, 6.8 $\mu$ F	T368B685M035AS		
C25			NOT USED			
C26			NOT USED			
C27	299244-1		CAPACITOR, .01 $\mu$ F	5HKS-S10		
C28	299244-1		CAPACITOR, .01 $\mu$ F	5HKS-S10		
C29	299240-1		CAPACITOR, 6.8 $\mu$ F	T368B685M035AS		
C30	299244-1		CAPACITOR, .01 $\mu$ F	5HKS-S10		

Table 8-2. Replaceable Parts List (Continued)

Reference Designation	AILTECH Part Number	Qty	Description	Mfr Part Number	Figure No.
1A14C31	299240-1		CAPACITOR, 6.8 $\mu$ F	T368B685M035AS	7-36
C32	299244-1		CAPACITOR, .01 $\mu$ F	5HKS-S10	
C33	299244-1		CAPACITOR, .01 $\mu$ F	5HKS-S10	
C34	299244-1		CAPACITOR, .01 $\mu$ F	5HKS-S20	
C35	299244-1		CAPACITOR, .01 $\mu$ F	5HKS-S20	
C36	293294-2	1	CAPACITOR, .01 $\mu$ F	CY20C104P	
CR1	299251-1	5	DIODE	1N4009	
CR2	299251-1		DIODE	1N4009	
CR3	299251-1		DIODE	1N4009	
CR4	299251-1		DIODE	1N4009	
CR5	299251-1		DIODE	1N4009	
J1	299935-1	1	HEADER, RIGHT ANGLE, 16 PIN	AMP87230-8	
MP1	294968-2	1	EJECTOR, WHITE	5005-08N	
Q1	294156-1	1	TRANSISTOR	2N4392	
Q2	294151-1	1	TRANSISTOR	2N4124	
Q3	294153-1	1	TRANSISTOR	2N4126	
R1	299701-202	1	RESISTOR, 2K, 1/4W	RC07GF202J	
R2	299701-152	2	RESISTOR, 1.5K, 1/4W	RC07GF152J	
R3	299701-153	2	RESISTOR, 15K, 1/4W	RC07GF153J	
R4	299709-339	1	RESISTOR, 1.5K, 1/8W, 1%	RN60C1501F	
R5	299709-450	1	RESISTOR, 20K, 1/8W, 1%	RN60C2002F	
R6	299701-475	1	RESISTOR, 4.7M, 1/4W	RC07GF475J	
R7	299701-186	1	RESISTOR, 18M, 1/4W	RC07GF186J	
R8	299709-498	1	RESISTOR, 61.9K, 1/8W, 1%	RN60C6192F	
R9	299709-403	1	RESISTOR, 6.49K, 1/8W, 1%	RN60C6491F	
R10	299701-153		RESISTOR, 15K, 1/4W	RC07GF153J	
R11	299709-421	4	RESISTOR, 10K, 1/8W, 1%	RN60C1002F	
R12	299709-417	1	RESISTOR, 9.09K, 1/8W, 1%	RN60C9091F	
R13	299709-433	1	RESISTOR, 13.3K, 1/8W, 1%	RN60C1332F	
R14	299701-104	2	RESISTOR, 100K, 1/4W	RC07GF104J	
R15	299701-104		RESISTOR, 100K, 1/4W	RC07GF104J	
R16	299709-421		RESISTOR, 10K, 1/8W, 1%	RN60C1002F	
R17	299709-421		RESISTOR, 10K, 1/8W, 1%	RN60C1002F	
R18	299709-441	1	RESISTOR, 16.2K, 1/8W, 1%	RN60C1622F	
R19	299709-421		RESISTOR, 10K, 1/8W, 1%	RN60C1002F	
R20	299701-242	1	RESISTOR, 2.4K, 1/4W	RC07GF242J	
R21	299709-219	2	RESISTOR, 100 $\Omega$ , 1/8W, 1%	RN60C1000F	
R22	299709-681	1	RESISTOR, 26.7K, 1/8W, 1%	RN60C2672F	
R23	299701-472	2	RESISTOR, 4.7K, 1/4W	RC07GF472J	
R24	299701-103	1	RESISTOR, 10K, 1/4W	RC07GF103J	
R25	299709-219		RESISTOR, 100 $\Omega$ , 1/8W, 1%	RN60C1000F	
R26	299709-386	1	RESISTOR, 4.64K, 1/8W, 1%	RN60C4641F	
R27	299709-438	1	RESISTOR, 15K, 1/8W, 1%	RN60C1502F	
R28	299701-163	1	RESISTOR, 16K, 1/4W	RC07GF163J	
R29	299709-442	1	RESISTOR, 16.5K, 1/8W, 1%	RN60C1652F	
R30	299709-391	1	RESISTOR, 4.99K, 1/8W, 1%	RN60C4991F	
R31	299709-490	1	RESISTOR, 51.1K, 1/8W, 1%	RN60C5112F	
R32	299701-302	1	RESISTOR, 3K, 1/4W	RC07GF302J	
R33	299701-102	1	RESISTOR, 1K, 1/4W	RC07GF102J	
R34	299701-472		RESISTOR, 4.7K, 1/4W	RC07GF472J	
R35			NOT USED		
R36	299701-152		RESISTOR, 1.5K, 1/4W	RC07GF152J	
TP1	293310-1	3	TERMINAL	CTC-1597-2-01	
TP2	293310-1		TERMINAL	CTC-1597-2-01	
TP3	293310-1		TERMINAL	CTC-1597-2-01	
XZ1	294565-1	4	SOCKET, IC, 8 PIN	C930810	

Table 8-2. Replaceable Parts List (Continued)

Reference Designation	AILTECH Part Number	Qty	Description	Mfr Part Number	Figure No.	
1A14XZ2	294565-1		SOCKET, IC, 8 PIN	C930810	7-36	
XZ3	294573-1	7	SOCKET, IC, 14 PIN	C931410		
XZ4	294499-1	3	SOCKET, IC, 8 PIN	8058-1649		
XZ5	294499-1		SOCKET, IC, 8 PIN	8058-1649		
XZ6	294565-1		SOCKET, IC, 8 PIN	C930810		
XZ7	294565-1		SOCKET, IC, 8 PIN	C930810		
XZ8	294573-1		SOCKET, IC, 14 PIN	C931410		
XZ9	294573-1		SOCKET, IC, 14 PIN	C931410		
XZ10			NOT USED			
XZ11	294567-1	1	SOCKET, IC, 16 PIN	C931610		
XZ12	294573-1		SOCKET, IC, 14 PIN	C931410		
XZ13	294573-1		SOCKET, IC, 14 PIN	C931410		
XZ14	294499-1		SOCKET, IC, 8 PIN	8058-1649		
XZ15	294573-1		SOCKET, IC, 14 PIN	C931410		
XZ16	294573-1		SOCKET, IC, 14 PIN	C931410		
Z1	293354-1	4	INTEGRATED CIRCUIT	N5741V		
Z2	293354-1		INTEGRATED CIRCUIT	N5741V		
Z3	293462-1	2	INTEGRATED CIRCUIT	SN72710N		
Z4	293485-1	3	INTEGRATED CIRCUIT	U5B991429		
Z5	293485-1		INTEGRATED CIRCUIT	U5B991429		
Z6	293354-1		INTEGRATED CIRCUIT	N5741V		
Z7	293354-1		INTEGRATED CIRCUIT	N5741V		
Z8	293462-1		INTEGRATED CIRCUIT	SN72710N		
Z9	293366-1	2	INTEGRATED CIRCUIT	SN7400N		
Z10			NOT USED			
Z11	293456-1	1	INTEGRATED CIRCUIT	SN7476N		
Z12	293451-1	2	INTEGRATED CIRCUIT	SN7440N		
Z13	293366-1		INTEGRATED CIRCUIT	SN7400N		
Z14	293485-1		INTEGRATED CIRCUIT	U5B991429		
Z15	293451-1		INTEGRATED CIRCUIT	SN7440N		
Z16	293536-1	1	INTEGRATED CIRCUIT	SN74LS74N		
1A15	296208-1	1	DIGITAL DISPLAY #1 PC BOARD ASSEMBLY	296208-1		7-37
C1	299240-1	2	CAPACITOR, 6.8 $\mu$ F	T368B685M035AS		
C2	299244-1	11	CAPACITOR, .01 $\mu$ F	5HKS-S10		
C3	299244-1		CAPACITOR, .01 $\mu$ F	5HKS-S10		
C4	299244-1		CAPACITOR, .01 $\mu$ F	5HKS-S10		
C5	299244-1		CAPACITOR, .01 $\mu$ F	5HKS-S10		
C6	299244-1		CAPACITOR, .01 $\mu$ F	5HKS-S10		
C7	299244-1		CAPACITOR, .01 $\mu$ F	5HKS-S10		
C8	299240-1		CAPACITOR, 6.8 $\mu$ F	T368B685M035AS		
C9	299244-1		CAPACITOR, .01 $\mu$ F	5HKS-S10		
C10	299244-1		CAPACITOR, .01 $\mu$ F	5HKS-S10		
C11	299244-1		CAPACITOR, .01 $\mu$ F	5HKS-S10		
C12	299244-1		CAPACITOR, .01 $\mu$ F	5HKS-S10		
C13	299244-1		CAPACITOR, .01 $\mu$ F	5HKS-S10		
J1	294213-1	1	HEADER, RIGHT ANGLE, 10 PIN	87230-5		
J2	299933-1	2	HEADER, RIGHT ANGLE, 26 PIN	1-87230-3		
J3	299933-1		HEADER, RIGHT ANGLE, 26 PIN	1-87230-3		
MP1	294968-2	1	EJECTOR, WHITE	5005-08N		
R1	299701-470	1	RESISTOR, 47 $\Omega$ , 1/4W	RC07GF470J		
R2	299701-102	1	RESISTOR, 1K, 1/4W	RC07GF102J		
TP1	293310-1	1	TERMINAL	CTC-1597-2-01		
XZ1	294573-1	14	SOCKET, IC, 14 PIN	C931410		
XZ2	294573-1		SOCKET, IC, 14 PIN	C931410		
XZ3	294573-1		SOCKET, IC, 14 PIN	C931410		
XZ4	294573-1		SOCKET, IC, 14 PIN	C931410		

Table 8-2. Replaceable Parts List (Continued)

Reference Designation	AILTECH Part Number	Qty	Description	Mfr Part Number	Figure No.
1A15XZ5	294573-1		SOCKET, IC, 14 PIN	C931410	7-37
XZ6	294573-1		SOCKET, IC, 14 PIN	C931410	
XZ7	294573-1		SOCKET, IC, 14 PIN	C931410	
XZ8	294573-1		SOCKET, IC, 14 PIN	C931410	
XZ9	294573-1		SOCKET, IC, 14 PIN	C931410	
XZ10	294573-1		SOCKET, IC, 14 PIN	C931410	
XZ11	294567-1	10	SOCKET, IC, 16 PIN	C931610	
XZ12	294567-1		SOCKET, IC, 16 PIN	C931610	
XZ13	294567-1		SOCKET, IC, 16 PIN	C931610	
XZ14	294567-1		SOCKET, IC, 16 PIN	C931610	
XZ15	294567-1		SOCKET, IC, 16 PIN	C931610	
XZ16	294573-1		SOCKET, IC, 14 PIN	C931410	
XZ17	294573-1		SOCKET, IC, 14 PIN	C931410	
XZ18	294573-1		SOCKET, IC, 14 PIN	C931410	
XZ19	294567-1		SOCKET, IC, 16 PIN	C931610	
XZ20	294567-1		SOCKET, IC, 16 PIN	C931610	
XZ21	294567-1		SOCKET, IC, 16 PIN	C931610	
XZ22	294567-1		SOCKET, IC, 16 PIN	C931610	
XZ23	294567-1		SOCKET, IC, 16 PIN	C931610	
XZ24	294573-1		SOCKET, IC, 14 PIN	C931410	
Z1	293366-1	2	INTEGRATED CIRCUIT	SN7400N	
Z2	293366-1		INTEGRATED CIRCUIT	SN7400N	
Z3	293691-5	5	RESISTOR NETWORK, 220Ω	314B221	
Z4	293691-5		RESISTOR NETWORK, 220Ω	314B221	
Z5	293691-5		RESISTOR NETWORK, 220Ω	314B221	
Z6	293691-5		RESISTOR NETWORK, 220Ω	314B221	
Z7	293691-5		RESISTOR NETWORK, 220Ω	314B221	
Z8	293475-1	5	INTEGRATED CIRCUIT	SN74176N	
Z9	293364-1	1	INTEGRATED CIRCUIT	SN7404N	
Z10	293447-1	1	INTEGRATED CIRCUIT	SN7420N	
Z11	293452-1	5	INTEGRATED CIRCUIT	SN7447N	
Z12	293452-1		INTEGRATED CIRCUIT	SN7447N	
Z13	293452-1		INTEGRATED CIRCUIT	SN7447N	
Z14	293452-1		INTEGRATED CIRCUIT	SN7447N	
Z15	293452-1		INTEGRATED CIRCUIT	SN7447N	
Z16	293475-1		INTEGRATED CIRCUIT	SN74176N	
Z17	293475-1		INTEGRATED CIRCUIT	SN74176N	
Z18	293475-1		INTEGRATED CIRCUIT	SN74176N	
Z19	293455-1	5	INTEGRATED CIRCUIT	SN7475N	
Z20	293455-1		INTEGRATED CIRCUIT	SN7475N	
Z21	293455-1		INTEGRATED CIRCUIT	SN7475N	
Z22	293455-1		INTEGRATED CIRCUIT	SN7475N	
Z23	293455-1		INTEGRATED CIRCUIT	SN7475N	
Z24	293475-1		INTEGRATED CIRCUIT	SN74176N	
1A16	296210-1	1	FREQ/PWR REF ENCODER PCB ASSEMBLY	296210-1	7-38
C1	299240-2	1	CAPACITOR, 22μF	T368B226M015AS	
C2	293294-2	9	CAPACITOR, 0.1μF	CY20C104P	
C3	293294-2		CAPACITOR, 0.1μF	CY20C104P	
C4	293294-2		CAPACITOR, 0.1μF	CY20C214P	
C5	293294-2		CAPACITOR, 0.1μF	CY20C214P	
C6	293294-2		CAPACITOR, 0.1μF	CY20C214P	
C7	293294-2		CAPACITOR, 0.1μF	CY20C214P	
C8	293294-2		CAPACITOR, 0.1μF	CY20C214P	
C9	293294-2		CAPACITOR, 0.1μF	CY20C214P	
C10	293294-2		CAPACITOR, 0.1μF	CY20C214P	

Table 8-2. Replaceable Parts List (Continued)

Reference Designation	AILTECH Part Number	Qty	Description	Mfr Part Number	Figure No.
1A16J1	299935-1	2	HEADER, RIGHT ANGLE, 16 PIN	87230-8	7-38
J2	299933-1	1	HEADER, RIGHT ANGLE, 26 PIN	87230-3	
J3	299935-1		HEADER, RIGHT ANGLE, 16 PIN	87230-8	
MP1	294968-2	1	EJECTOR, WHITE	5005-08N	
R1	299700-102	1	RESISTOR, 1K, 1/8W	RC05GF102J	
R2	299700-103	3	RESISTOR, 10K, 1/8W	RC05GF103J	
R3	299700-103		RESISTOR, 10K, 1/8W	RC05GF103J	
R4	299700-103		RESISTOR, 10K, 1/8W	RC05GF103J	
XZ1	294573-1	8	SOCKET, IC, 14 PIN	C931410	
XZ2	294573-1		SOCKET, IC, 14 PIN	C931410	
XZ3	294573-1		SOCKET, IC, 14 PIN	C931410	
XZ4	294573-1		SOCKET, IC, 14 PIN	C931410	
XZ5	294573-1		SOCKET, IC, 14 PIN	C931410	
XZ6	294573-1		SOCKET, IC, 14 PIN	C931410	
XZ7	294573-1		SOCKET, IC, 14 PIN	C931410	
XZ8	294573-1		SOCKET, IC, 14 PIN	C931410	
XZ9	294567-1	8	SOCKET, IC, 16 PIN	C931610	
XZ10	294567-1		SOCKET, IC, 16 PIN	C931610	
XZ11	294567-1		SOCKET, IC, 16 PIN	C931610	
XZ12	294567-1		SOCKET, IC, 16 PIN	C931610	
XZ13	294567-1		SOCKET, IC, 16 PIN	C931610	
XZ14	294567-1		SOCKET, IC, 16 PIN	C931610	
XZ15	294567-1		SOCKET, IC, 16 PIN	C931610	
XZ16	294567-1		SOCKET, IC, 16 PIN	C931610	
Z1	293446-1	5	INTEGRATED CIRCUIT	SN7416N	
Z2	293446-1		INTEGRATED CIRCUIT	SN7416N	
Z3	293446-1		INTEGRATED CIRCUIT	SN7416N	
Z4	293446-1		INTEGRATED CIRCUIT	SN7416N	
Z5	293446-1		INTEGRATED CIRCUIT	SN7416N	
Z6	293437-1	1	INTEGRATED CIRCUIT	SN74LS08N	
Z7	293541-1	1	INTEGRATED CIRCUIT	SN74LS00N-00	
Z8	293541-2	1	INTEGRATED CIRCUIT	SN74LS27N-00	
Z9	293541-3	6	INTEGRATED CIRCUIT	SN74LS251N-00	
Z10	293541-3		INTEGRATED CIRCUIT	SN74LS251N-00	
Z11	293541-3		INTEGRATED CIRCUIT	SN74LS251N-00	
Z12	293541-3		INTEGRATED CIRCUIT	SN74LS251N-00	
Z13	293541-3		INTEGRATED CIRCUIT	SN74LS251N-00	
Z14	293541-3		INTEGRATED CIRCUIT	SN74LS251N-00	
Z15	293588-1	2	INTEGRATED CIRCUIT	SN74LS253N	
Z16	293588-1		INTEGRATED CIRCUIT	SN74LS253N	
1A17	296496-2	1	CHARACTER GEN AND DATA ENCODER PCB ASSEMBLY	296496-2	7-39
C1	299240-2	1	CAPACITOR, 22 $\mu$ F	T368B226M015AS	
C2	299240-10	1	CAPACITOR, 33 $\mu$ F	T368B336M10AS	
C3	293294-2	14	CAPACITOR, 0.1 $\mu$ F	CY20C104P	
C4	293294-2		CAPACITOR, 0.1 $\mu$ F	CY20C104P	
C5	293294-2		CAPACITOR, 0.1 $\mu$ F	CY20C104P	
C6	293294-2		CAPACITOR, 0.1 $\mu$ F	CY20C104P	
C7	293294-2		CAPACITOR, 0.1 $\mu$ F	CY20C104P	
C8	293294-2		CAPACITOR, 0.1 $\mu$ F	CY20C104P	
C9	293294-2		CAPACITOR, 0.1 $\mu$ F	CY20C104P	
C10	293294-2		CAPACITOR, 0.1 $\mu$ F	CY20C104P	
C11	293294-2		CAPACITOR, 0.1 $\mu$ F	CY20C104P	
C12	293294-2		CAPACITOR, 0.1 $\mu$ F	CY20C104P	
C13	293294-2		CAPACITOR, 0.1 $\mu$ F	CY20C104P	



Table 8-2. Replaceable Parts List (Continued)

Reference Designation	AILTECH Part Number	Qty	Description	Mfr Part Number	Figure No.
1A17C14	293294-2		CAPACITOR, 0.1 $\mu$ F	CY20C104P	7-39
C15	293294-2		CAPACITOR, 0.1 $\mu$ F	CY20C104P	
C16	293294-2		CAPACITOR, 0.1 $\mu$ F	CY20C104P	
CR1	293240-1	9	DIODE	1N914	
CR2	293240-1		DIODE	1N914	
CR3	293240-1		DIODE	1N914	
CR4	293240-1		DIODE	1N914	
CR5	293240-1		DIODE	1N914	
CR6	293240-1		DIODE	1N914	
CR7	293240-1		DIODE	1N914	
CR8	293240-1		DIODE	1N914	
CR9	293240-1		DIODE	1N914	
J1	294213-4	1	HEADER, RIGHT ANGLE, 40 PIN	2-87230-0	
J2	299935-1	1	HEADER, RIGHT ANGLE, 16 PIN	87230-8	
MP1	294968-2	1	EJECTOR, WHITE	5005-08N	
Q1	294157-1	1	TRANSISTOR	2N4401	
R1	299700-103	2	RESISTOR, 10K, 1/8W	RC05GF103J	
R2	299700-103		RESISTOR, 10K, 1/8W	RC05GF103J	
R3	299700-332	2	RESISTOR, 3.3K, 1/8W	RC05GF332J	
R4	299700-104	1	RESISTOR, 100K, 1/8W	RC05GF104J	
R5	299700-152	7	RESISTOR, 1.5K, 1/8W	RC05GF152J	
R6	299700-152		RESISTOR, 1.5K, 1/8W	RC05GF152J	
R7	299700-152		RESISTOR, 1.5K, 1/8W	RC05GF152J	
R8	299700-152		RESISTOR, 1.5K, 1/8W	RC05GF152J	
R9	299700-152		RESISTOR, 1.5K, 1/8W	RC05GF152J	
R10	299700-152		RESISTOR, 1.5K, 1/8W	RC05GF152J	
R11	299700-152		RESISTOR, 1.5K, 1/8W	RC05GF152J	
R12	299700-752	3	RESISTOR, 7.5K, 1/8W	RC05GF752J	
R13	299700-752		RESISTOR, 7.5K, 1/8W	RC05GF752J	
R14	299700-752		RESISTOR, 7.5K, 1/8W	RC05GF752J	
R15	299700-301	4	RESISTOR, 300 $\Omega$ , 1/8W	RC05GF301J	
R16	299700-301		RESISTOR, 300 $\Omega$ , 1/8W	RC05GF301J	
R17	299700-301		RESISTOR, 300 $\Omega$ , 1/8W	RC05GF301J	
R18	299700-301		RESISTOR, 300 $\Omega$ , 1/8W	RC05GF301J	
R19	299700-112	2	RESISTOR, 1.1K, 1/8W	RC05GF112J	
R20	299700-112		RESISTOR, 1.1K, 1/8W	RC05GF112J	
R21	299700-201	2	RESISTOR, 200 $\Omega$ , 1/8W	RC05GF201J	
R22	299700-201		RESISTOR, 200 $\Omega$ , 1/8W	RC05GF201J	
R23	299700-332		RESISTOR, 3.3K, 1/8W	RC05GF332J	
XZ1	294573-1	10	SOCKET, IC, 14 PIN	C931410	
XZ2	294567-1	9	SOCKET, IC, 16 PIN	C931610	
XZ3	294573-1		SOCKET, IC, 14 PIN	C931410	
XZ4	294573-1		SOCKET, IC, 14 PIN	C931410	
XZ5	294567-1		SOCKET, IC, 16 PIN	C931610	
XZ6	294567-1		SOCKET, IC, 16 PIN	C931610	
XZ7	294567-1		SOCKET, IC, 16 PIN	C931610	
XZ8	294595-1		5	SOCKET, IC, 20 PIN	C932010
XZ9	294595-1			SOCKET, IC, 20 PIN	C932010
XZ10	294595-1			SOCKET, IC, 20 PIN	C932010
XZ11	294573-1	SOCKET, IC, 14 PIN		C931410	
XZ12	294595-1	SOCKET, IC, 20 PIN		C932010	
XZ13	294595-1	SOCKET, IC, 20 PIN		C932010	
XZ14	294567-1	SOCKET, IC, 16 PIN		C931610	
XZ15	294567-1	SOCKET, IC, 16 PIN	C931610		
XZ16	294567-1	SOCKET, IC, 16 PIN	C931610		
XZ17	294573-1		SOCKET, IC, 14 PIN	C931410	
XZ18	294574-1		SOCKET, IC, 18 PIN	C931810	
XZ19	294573-1		SOCKET, IC, 14 PIN	C931410	
XZ20	294573-1		SOCKET, IC, 14 PIN	C931410	
XZ21	294567-1		SOCKET, IC, 16 PIN	C931610	
XZ22	294573-1		SOCKET, IC, 14 PIN	C931410	
XZ23	294573-1		SOCKET, IC, 14 PIN	C931410	
XZ24	294567-1		SOCKET, IC, 16 PIN	C931610	
XZ25	294573-1		SOCKET, IC, 14 PIN	C931410	

Table 8-2. Replaceable Parts List (Continued)

Reference Designation	AILTECH Part Number	Qty	Description	Mfr Part Number	Figure No.
1A17Z1	293541-4	1	INTEGRATED CIRCUIT	SN74LS125N	7-39
Z2	293541-5	1	INTEGRATED CIRCUIT	SN74LS139N	
Z3	293446-1	4	INTEGRATED CIRCUIT	SN7416N	
Z4	293446-1		INTEGRATED CIRCUIT	SN7416N	
Z5	293541-6	4	INTEGRATED CIRCUIT	SN74LS348N	
Z6	293541-6		INTEGRATED CIRCUIT	SN74LS348N	
Z7	293691-6	2	INTEGRATED CIRCUIT	316A103	
Z8	294596-2	1	INTEGRATED CIRCUIT, PROGRAMMED	SN74LS471	
Z9	293541-7	3	INTEGRATED CIRCUIT, PROGRAMMED	SN74LS244N	
Z10	294596-3	1	INTEGRATED CIRCUIT, PROGRAMMED	SN74LS471N	
Z11	293437-1	1	INTEGRATED CIRCUIT, PROGRAMMED	SN74LS08N	
Z12	293541-7		INTEGRATED CIRCUIT, PROGRAMMED	SN74LS244N	
Z13	293541-7		INTEGRATED CIRCUIT, PROGRAMMED	SN74LS244N	
Z14	293541-6		INTEGRATED CIRCUIT	SN74LS348N	
Z15	293541-6		INTEGRATED CIRCUIT	SN74LS348N	
Z16	293691-6		INTEGRATED CIRCUIT	316A103	
Z17	293541-1	2	INTEGRATED CIRCUIT, PROGRAMMED	SN74LS00N	
Z18	294594-1	1	INTEGRATED CIRCUIT, PROGRAMMED	MCM6674P	
Z19	293544-1	1	INTEGRATED CIRCUIT, PROGRAMMED	SN74LS20N	
Z20	293541-1		INTEGRATED CIRCUIT, PROGRAMMED	SN74LS00N	
Z21	293541-8	2	INTEGRATED CIRCUIT, PROGRAMMED	SN74LS148N	
Z22	293540-1	1	INTEGRATED CIRCUIT, PROGRAMMED	SN74LS04N	
Z23	293446-1		INTEGRATED CIRCUIT	SN7416N	
Z24	293541-8		INTEGRATED CIRCUIT, PROGRAMMED	SN74LS148N	
Z25	293446-1		INTEGRATED CIRCUIT	SN7416N	
1A18	296214-1	1	HORIZONTAL TIMING PCB ASSEMBLY	296214-1	7-40
C1	299240-2	1	CAPACITOR, 22 $\mu$ F	T368B226M15AS	
C2	299241-050	1	CAPACITOR, 5 $\rho$ F	DM5CC-050D	
C3	293294-2	14	CAPACITOR, 0.1 $\mu$ F	CY20C104P	
C4	293294-2		CAPACITOR, 0.1 $\mu$ F	CY20C104P	
C5	293294-2		CAPACITOR, 0.1 $\mu$ F	CY20C104P	
C6	293294-2		CAPACITOR, 0.1 $\mu$ F	CY20C104P	
C7	293294-2		CAPACITOR, 0.1 $\mu$ F	CY20C104P	
C8	293294-2		CAPACITOR, 0.1 $\mu$ F	CY20C104P	
C9	293294-2		CAPACITOR, 0.1 $\mu$ F	CY20C104P	
C10	293294-2		CAPACITOR, 0.1 $\mu$ F	CY20C104P	
C11	293294-2		CAPACITOR, 0.1 $\mu$ F	CY20C104P	
C12	293294-2		CAPACITOR, 0.1 $\mu$ F	CY20C104P	
C13	293294-2		CAPACITOR, 0.1 $\mu$ F	CY20C104P	
C14	293294-2		CAPACITOR, 0.1 $\mu$ F	CY20C104P	
C15	293294-2		CAPACITOR, 0.1 $\mu$ F	CY20C104P	
C16	293294-2		CAPACITOR, 0.1 $\mu$ F	CY20C104P	
C17	299871-102	1	CAPACITOR, 0.001 $\mu$ F	CK05BX 102K	
CR1			NOT USED		
CR2	293240-1	4	DIODE	1N914	
CR3	293240-1		DIODE	1N914	
CR4	293240-1		DIODE	1N914	
CR5	293240-1		DIODE	1N914	
J1	294213-1	1	HEADER, RIGHT ANGLE, 10 PIN	87230-5	
MP1	294968-2	1	EJECTOR, WHITE	5005-08N	
Q1	294157-1	1	TRANSISTOR	2N4401	
R1	299700-102	5	RESISTOR, 1K, 1/8W	RC05GF102J	
R2	299700-102		RESISTOR, 1K, 1/8W	RC05GF102J	
R3	299700-102		RESISTOR, 1K, 1/8W	RC05GF102J	
R4	299700-101	1	RESISTOR, 100 $\Omega$ , 1/8W	RC05GF101J	
R5	299700-361	1	RESISTOR, 360 $\Omega$ , 1/8W	RC05GF361J	

Table 8-2. Replaceable Parts List (Continued)

Reference Designation	AILTECH Part Number	Qty	Description	Mfr Part Number	Figure No.
1A18R6	299700-102		RESISTOR, 1K, 1/8W	RC05GF102J	7-40
R7	299700-221	1	RESISTOR, 220Ω, 1/8W	RC05GF221J	
R8	299700-102		RESISTOR, 1K, 1/8W	RC05GF102J	
TP1	293310-1	2	TERMINAL	1597-2-01	
TP2	293310-1		TERMINAL	1597-2-01	
XZ1	294567-1	11	SOCKET, IC, 16 PIN	C931610	
XZ2	294567-1		SOCKET, IC, 16 PIN	C931610	
XZ3	294573-1	11	SOCKET, IC, 14 PIN	C931410	
XZ4	294573-1		SOCKET, IC, 14 PIN	C931410	
XZ5	294573-1		SOCKET, IC, 14 PIN	C931410	
XZ6	294567-1		SOCKET, IC, 16 PIN	C931610	
XZ7			NOT USED		
XZ8	294567-1		SOCKET, IC, 16 PIN	C931610	
XZ9	294567-1		SOCKET, IC, 16 PIN	C931610	
XZ10	294573-1		SOCKET, IC, 14 PIN	C931410	
XZ11	294573-1		SOCKET, IC, 14 PIN	C931410	
XZ12	294573-1		SOCKET, IC, 14 PIN	C931410	
XZ13	294573-1		SOCKET, IC, 14 PIN	C931410	
XZ14	294573-1		SOCKET, IC, 14 PIN	C931410	
XZ15	294573-1		SOCKET, IC, 14 PIN	C931410	
XZ16	294573-1		SOCKET, IC, 14 PIN	C931410	
XZ17	294567-1		SOCKET, IC, 16 PIN	C931610	
XZ18	294567-1		SOCKET, IC, 16 PIN	C931610	
XZ19	294567-1		SOCKET, IC, 16 PIN	C931610	
XZ20	294567-1		SOCKET, IC, 16 PIN	C931610	
XZ21	294567-1		SOCKET, IC, 16 PIN	C931610	
XZ22	294567-1		SOCKET, IC, 16 PIN	C931610	
XZ23	294573-1		SOCKET, IC, 14 PIN	C931410	
Y1	230479-11	1	CRYSTAL, 4 MHZ	4MHZ	
Z1	293541-9	8	INTEGRATED CIRCUIT	SN74LS161N	
Z2	293541-9		INTEGRATED CIRCUIT	SN74LS161N	
Z3	293540-1	3	INTEGRATED CIRCUIT	SN74LS04N	
Z4	293541-12	1	INTEGRATED CIRCUIT	SN74LS01N	
Z5	293536-1	2	INTEGRATED CIRCUIT	SN74LS74N	
Z6	293541-9		INTEGRATED CIRCUIT	SN74LS161N	
Z7			NOT USED		
Z8	293541-10	1	INTEGRATED CIRCUIT	SN74LS124N	
Z9	293356-1	1	INTEGRATED CIRCUIT	SN74LS157N	
Z10	293536-1		INTEGRATED CIRCUIT	SN74LS74N	
Z11	293438-1	1	INTEGRATED CIRCUIT	SN74LS32N	
Z12	293545-1	1	INTEGRATED CIRCUIT	SN74LS02N	
Z13	293541-1	1	INTEGRATED CIRCUIT	SN74LS00N	
Z14	293540-1		INTEGRATED CIRCUIT	SN74LS04N	
Z15	293437-1	1	INTEGRATED CIRCUIT	SN74LS08N	
Z16	293540-1		INTEGRATED CIRCUIT	SN74LS04N	
Z17	293541-11	1	INTEGRATED CIRCUIT	SN74LS166N	
Z18	293541-9		INTEGRATED CIRCUIT	SN74LS161N	
Z19	293541-9		INTEGRATED CIRCUIT	SN74LS161N	
Z20	293541-9		INTEGRATED CIRCUIT	SN74LS161N	
Z21	293541-9		INTEGRATED CIRCUIT	SN74LS161N	
Z22	293541-9		INTEGRATED CIRCUIT	SN74LS161N	
Z23	293533-1	1	INTEGRATED CIRCUIT	SN74LS10N	
1A19	296216-1	1	DISPLAY TMG & HORIZ OUT PC BOARD ASSEMBLY	296216-1	7-41
C1	299240-2	1	CAPACITOR, 22μF	T368B226M015AS	
C2	299240-1	3	CAPACITOR, 6.8μF	T368B685M035AS	
C3	299240-1		CAPACITOR, 6.8μF	T368B685M035AS	

Table 8-2. Replaceable Parts List (Continued)

Reference Designation	AILTECH Part Number	Qty	Description	Mfr Part Number	Figure No.
1A19C4	299240-1		CAPACITOR, 6.8 $\mu$ F	T368B685M035AS	7-41
C5	299250-821	1	CAPACITOR, 820 $\rho$ F	CM06FD821J03	
C6	293294-2	21	CAPACITOR, 0.1 $\mu$ F	CY20C104P	
C7	293294-2		CAPACITOR, 0.1 $\mu$ F	CY20C104P	
C8	293294-2		CAPACITOR, 0.1 $\mu$ F	CY20C104P	
C9	293294-2		CAPACITOR, 0.1 $\mu$ F	CY20C104P	
C10	293294-2		CAPACITOR, 0.1 $\mu$ F	CY20C104P	
C11	293294-2		CAPACITOR, 0.1 $\mu$ F	CY20C104P	
C12	293294-2		CAPACITOR, 0.1 $\mu$ F	CY20C104P	
C13	293294-2		CAPACITOR, 0.1 $\mu$ F	CY20C104P	
C14	293294-2		CAPACITOR, 0.1 $\mu$ F	CY20C104P	
C15	293294-2		CAPACITOR, 0.1 $\mu$ F	CY20C104P	
C16	293294-2		CAPACITOR, 0.1 $\mu$ F	CY20C104P	
C17	293294-2		CAPACITOR, 0.1 $\mu$ F	CY20C104P	
C18	293294-2		CAPACITOR, 0.1 $\mu$ F	CY20C104P	
C19	293294-2		CAPACITOR, 0.1 $\mu$ F	CY20C104P	
C20	293294-2		CAPACITOR, 0.1 $\mu$ F	CY20C104P	
C21	293294-2		CAPACITOR, 0.1 $\mu$ F	CY20C104P	
C22	293294-2		CAPACITOR, 0.1 $\mu$ F	CY20C104P	
C23	293294-2		CAPACITOR, 0.1 $\mu$ F	CY20C104P	
C24	293294-2		CAPACITOR, 0.1 $\mu$ F	CY20C104P	
C25	293294-2		CAPACITOR, 0.1 $\mu$ F	CY20C104P	
C26	293294-2		CAPACITOR, 0.1 $\mu$ F	CY20C104P	
C27	299871-102	1	CAPACITOR, 1000 $\rho$ F	CK05BX102K	
J1	294213-1	1	HEADER, RIGHT ANGLE	87230-5	
MP1	294968-2	1	EJECTOR, WHITE	5005-08N	
R1	299700-102	1	RESISTOR, 1K, 1/8W	RC05GF102J	
R2	299707-408	1	RESISTOR, 7.5K, 1/10W, $\pm$ 1%	RN55C7501F	
R3	299707-390	2	RESISTOR, 4.99K, 1/10W, $\pm$ 1%	RN55C4991F	
R4	299707-390		RESISTOR, 4.99K, 1/10W, $\pm$ 1%	RN55C4991F	
R5	299707-251	1	RESISTOR, 221 $\Omega$ , 1/10W, $\pm$ 1%	RN55C2210F	
R6	299745-004	1	RESISTOR, VARIABLE, 100 $\Omega$	3009P-1-101	
R7	299745-010	1	RESISTOR, VARIABLE, 10K	3009P-1-103	
TP1	293310-1	5	TERMINAL	1597-2-01	
TP2	293310-1		TERMINAL	1597-2-01	
TP3	293310-1		TERMINAL	1597-2-01	
TP4	293310-1		TERMINAL	1597-2-01	
TP5	293310-1		TERMINAL	1597-2-01	
XZ1			NOT USED		
XZ2	294567-1	6	SOCKET, IC, 16 PIN	C931610	
XZ3	294573-1	10	SOCKET, IC, 14 PIN	C931410	
XZ4	294567-1		SOCKET, IC, 16 PIN	C931610	
XZ5	294565-1	1	SOCKET, IC, 8 PIN	C930810	
XZ6	294567-1		SOCKET, IC, 16 PIN	C931610	
XZ7	294573-1		SOCKET, IC, 14 PIN	C931410	
XZ8	294573-1		SOCKET, IC, 14 PIN	C931410	
XZ9	294573-1		SOCKET, IC, 14 PIN	C931410	
XZ10	294573-1		SOCKET, IC, 14 PIN	C931410	
XZ11	294595-1	1	SOCKET, IC, 20 PIN	C932010	
XZ12	294573-1		SOCKET, IC, 14 PIN	C931410	
XZ13			NOT USED		
XZ14			NOT USED		
XZ15	294573-1		SOCKET, IC, 14 PIN	C931410	
XZ16	294567-1		SOCKET, IC, 16 PIN	C931610	
XZ17	294567-1		SOCKET, IC, 16 PIN	C931610	
XZ18	294567-1		SOCKET, IC, 16 PIN	C931610	
XZ19	294573-1		SOCKET, IC, 14 PIN	C931410	

Table 8-2. Replaceable Parts List (Continued)

Reference Designation	AILTECH Part Number	Qty	Description	Mfr Part Number	Figure No.
1A19XZ20	294573-1		SOCKET, IC, 14 PIN	C931410	7-41
XZ21	294573-1		SOCKET, IC, 14 PIN	C931410	
Z1			NOT USED		
Z2	293541-9	4	INTEGRATED CIRCUIT	SN74LS161N	
Z3	293536-1	3	INTEGRATED CIRCUIT	SN74LS74N-00	
Z4	294598-1	1	INTEGRATED CIRCUIT	MC3410CL	
Z5	294066-1	1	INTEGRATED CIRCUIT	LF356N	
Z6	293387-2	1	INTEGRATED CIRCUIT	IH5043CPE	
Z7	293540-1	2	INTEGRATED CIRCUIT	SN74LS04N-00	
Z8	293533-1	1	INTEGRATED CIRCUIT	SN74LS10N-00	
Z9	293437-1	1	INTEGRATED CIRCUIT	SN74LS08N	
Z10	293541-2	1	INTEGRATED CIRCUIT	SN74LS27N	
Z11	293541-17	1	INTEGRATED CIRCUIT	SN74LS273N	
Z12	293545-1	1	INTEGRATED CIRCUIT	SN74LS02N-00	
Z13			NOT USED		
Z14			NOT USED		
Z15	293544-1	1	INTEGRATED CIRCUIT	SN74LS20N-00	
Z16	293541-9		INTEGRATED CIRCUIT	SN74LS161N	
Z17	293541-9		INTEGRATED CIRCUIT	SN74LS161N	
Z18	293541-9		INTEGRATED CIRCUIT	SN74LS161N	
Z19	293536-1		INTEGRATED CIRCUIT	SN74LS74N-00	
Z20	293540-1		INTEGRATED CIRCUIT	SN74LS04N-00	
Z21	293536-1		INTEGRATED CIRCUIT	SN74LS74N-00	
1A20	296218-1	1	PUSHBUTTON INTFC AND LINE GEN PC BOARD ASSEMBLY	296218-1	7-42
C1	299240-002	3	CAPACITOR, 22 $\mu$ F	T368B226M015AS	
C2	299240-002		CAPACITOR, 22 $\mu$ F	T368B226M015AS	
C3	299240-002		CAPACITOR, 22 $\mu$ F	T368B226M015AS	
C4	299240-001	3	CAPACITOR, 6.8 $\mu$ F	T368B685M035AS	
C5	299240-001		CAPACITOR, 6.8 $\mu$ F	T368B685M035AS	
C6	299240-001		CAPACITOR, 6.8 $\mu$ F	T368B685M035AS	
C7	299250-101	1	CAPACITOR, 100 $\rho$ F	CM04FD101J03	
C8	299241-100	1	CAPACITOR, 10 $\rho$ F	DM5CC-100J	
C9	299250-471	1	CAPACITOR, 470 $\rho$ F	CM06FD471J03	
C10	293294-2	44	CAPACITOR, .1 $\mu$ F	CY20C104P	
C11	293294-2		CAPACITOR, .1 $\mu$ F	CY20C104P	
C12	293294-2		CAPACITOR, .1 $\mu$ F	CY20C104P	
C13	293294-2		CAPACITOR, .1 $\mu$ F	CY20C104P	
C14	293294-2		CAPACITOR, .1 $\mu$ F	CY20C104P	
C15	293294-2		CAPACITOR, .1 $\mu$ F	CY20C104P	
C16	293294-2		CAPACITOR, .1 $\mu$ F	CY20C104P	
C17	293294-2		CAPACITOR, .1 $\mu$ F	CY20C104P	
C18	293294-2		CAPACITOR, .1 $\mu$ F	CY20C104P	
C19	293294-2		CAPACITOR, .1 $\mu$ F	CY20C104P	
C20			NOT USED		
C21	293294-2		CAPACITOR, .1 $\mu$ F	CY20C104P	
C22	293294-2		CAPACITOR, .1 $\mu$ F	CY20C104P	
C23	293294-2		CAPACITOR, .1 $\mu$ F	CY20C104P	
C24	293294-2		CAPACITOR, .1 $\mu$ F	CY20C104P	
C25	293294-2		CAPACITOR, .1 $\mu$ F	CY20C104P	
C26	293294-2		CAPACITOR, .1 $\mu$ F	CY20C104P	
C27	293294-2		CAPACITOR, .1 $\mu$ F	CY20C104P	
C28	293294-2		CAPACITOR, .1 $\mu$ F	CY20C104P	
C29	293294-2		CAPACITOR, .1 $\mu$ F	CY20C104P	
C30	293294-2		CAPACITOR, .1 $\mu$ F	CY20C104P	

Table 8-2. Replaceable Parts List (Continued)

Reference Designation	AILTECH Part Number	Qty	Description	Mfr Part Number	Figure No.
1A20C31	293294-2		CAPACITOR, .1 $\mu$ F	CY20C104P	7-42
C32	293294-2		CAPACITOR, .1 $\mu$ F	CY20C104P	
C33	293294-2		CAPACITOR, .1 $\mu$ F	CY20C104P	
C34	293294-2		CAPACITOR, .1 $\mu$ F	CY20C104P	
C35	293294-2		CAPACITOR, .1 $\mu$ F	CY20C104P	
C36	293294-2		CAPACITOR, .1 $\mu$ F	CY20C104P	
C37	293294-2		CAPACITOR, .1 $\mu$ F	CY20C104P	
C38	293294-2		CAPACITOR, .1 $\mu$ F	CY20C104P	
C39	293294-2		CAPACITOR, .1 $\mu$ F	CY20C104P	
C40	293294-2		CAPACITOR, .1 $\mu$ F	CY20C104P	
C41	293294-2		CAPACITOR, .1 $\mu$ F	CY20C104P	
C42	293294-2		CAPACITOR, .1 $\mu$ F	CY20C104P	
C43	293294-2		CAPACITOR, .1 $\mu$ F	CY20C104P	
C44	293294-2		CAPACITOR, .1 $\mu$ F	CY20C104P	
C45	293294-2		CAPACITOR, .1 $\mu$ F	CY20C104P	
C46	293294-2		CAPACITOR, .1 $\mu$ F	CY20C104P	
C47	293294-2		CAPACITOR, .1 $\mu$ F	CY20C104P	
C48	293294-2		CAPACITOR, .1 $\mu$ F	CY20C104P	
C49	293294-2		CAPACITOR, .1 $\mu$ F	CY20C104P	
C50	293294-2		CAPACITOR, .1 $\mu$ F	CY20C104P	
C51	293294-2		CAPACITOR, .1 $\mu$ F	CY20C104P	
C52	293294-2		CAPACITOR, .1 $\mu$ F	CY20C104P	
C53	293294-2		CAPACITOR, .1 $\mu$ F	CY20C104P	
C54	293294-2		CAPACITOR, .1 $\mu$ F	CY20C104P	
CR1	293238	1	DIODE	1N825A	
CR2	293240	5	DIODE	1N914	
CR3	293240		DIODE	1N914	
CR4	293240		DIODE	1N914	
CR5	293240		DIODE	1N914	
CR6	293240		DIODE	1N914	
E1	293306	4	TERMINAL	1019-2-901	
E2	293306		TERMINAL	1019-2-901	
E3	293306		TERMINAL	1019-2-901	
E4	293306		TERMINAL	1019-2-901	
J1	294213-3	2	HEADER, RIGHT ANGLE, 20 PIN	1-87230-0	
J2	294213-3		HEADER, RIGHT ANGLE, 20 PIN	1-87230-0	
MP1	294968-2	2	EJECTOR, WHITE	5005-08N	
Q1	294157-1	1	TRANSISTOR	2N4401	
Q2	294157-2	1	TRANSISTOR	2N4264	
R1	299700-102	4	RESISTOR, 1K, 1/8W	RC05GF102J	
R2	299700-102		RESISTOR, 1K, 1/8W	RC05GF102J	
R3	299700-102		RESISTOR, 1K, 1/8W	RC05GF102J	
R4	299700-103	3	RESISTOR, 10K, 1/8W	RC05GF103J	
R5	299745-004	1	RESISTOR, VARIABLE, 100 $\Omega$	3009P-1-101	
R6	299700-103		RESISTOR, 10K, 1/8W	RC05GF103J	
R7	299700-103		RESISTOR, 10K, 1/8W	RC05GF103J	
R8	299700-222	1	RESISTOR, 2.2K, 1/8W	RC05GF222J	
R9	299700-301	1	RESISTOR, 300 $\Omega$ , 1/8W	RC05GF301J	
R10	299700-332	5	RESISTOR, 3.3K, 1/8W	RC05GF332J	
R11	299700-332		RESISTOR, 3.3K, 1/8W	RC05GF332J	
R12	299700-332		RESISTOR, 3.3K, 1/8W	RC05GF332J	
R13	299700-332		RESISTOR, 3.3K, 1/8W	RC05GF332J	
R14	299700-511	3	RESISTOR, 510 $\Omega$ , 1/8W	RC05GF511J	
R15	299700-511		RESISTOR, 510 $\Omega$ , 1/8W	RC05GF511J	
R16	299700-511		RESISTOR, 510 $\Omega$ , 1/8W	RC05GF511J	
R17	299700-104	1	RESISTOR, 100K, 1/8W	RC05GF104J	

Table 8-2. Replaceable Parts List (Continued)

Reference Designation	AILTECH Part Number	Qty	Description	Mfr Part Number	Figure No.
1A20R18	299707-321	1	RESISTOR, 1K, 1/10W, 1%	RN55C1001F	7-42
R19	299707-420	4	RESISTOR, 10K, 1/10W, 1%	RN55C1002F	
R20	299707-420		RESISTOR, 10K, 1/10W, 1%	RN55C1002F	
R21	299707-420		RESISTOR, 10K, 1/10W, 1%	RN55C1002F	
R22	299707-420		RESISTOR, 10K, 1/10W, 1%	RN55C1002F	
R23	299707-329	1	RESISTOR, 1.21K, 1/10W, 1%	RN55C1211F	
R24	299707-350	3	RESISTOR, 2K, 1/10W, 1%	RN55C2001F	
R25	299707-350		RESISTOR, 2K, 1/10W, 1%	RN55C2001F	
R26	299707-350		RESISTOR, 2K, 1/10W, 1%	RN55C2001F	
R27	299707-371	3	RESISTOR, 3.32K, 1/10W, 1%	RN55C3321F	
R28	299707-371		RESISTOR, 3.32K, 1/10W, 1%	RN55C3321F	
R29	299708-432	1	RESISTOR, 13K, 1/10W, 1%	RN55C1302F	
R30	299709-261	1	RESISTOR, 274Ω, 1/8W, 1%	RN60C2740F	
R31	299707-388	1	RESISTOR, 4.75K, 1/10W, 1%	RN55C4751F	
R32	299707-390	4	RESISTOR, 4.99K, 1/10W, 1%	RN55C4991F	
R33	299707-390		RESISTOR, 4.99K, 1/10W, 1%	RN55C4991F	
R34	299707-390		RESISTOR, 4.99K, 1/10W, 1%	RN55C4991F	
R35	299707-390		RESISTOR, 4.99K, 1/10W, 1%	RN55C4991F	
R36	299707-395	1	RESISTOR, 5.49K, 1/10W, 1%	RN55C5491F	
R37	299707-371		RESISTOR, 3.32K, 1/10W, 1%	RN55C3321F	
R38	299745-007	1	RESISTOR, VARIABLE, 1K	3009P-1-102	
R39	299745-010	4	RESISTOR, VARIABLE, 10K	3009P-1-103	
R40	299745-010		RESISTOR, VARIABLE, 10K	3009P-1-103	
R41	299745-010		RESISTOR, VARIABLE, 10K	3009P-1-103	
R42	299745-010		RESISTOR, VARIABLE, 10K	3009P-1-103	
R43	299745-006	1	RESISTOR, VARIABLE, 500Ω	3009P-1-501	
R44	299700-332		RESISTOR, 3.3K, 1/8W	RC05GF332J	
R45	299700-102		RESISTOR, 1K, 1/8W	RC05GF102J	
S1	293646-1	1	SWITCH, DPST	CTS206-211	
TP1	293310-1	8	TERMINAL	1597-2-01	
TP2	293310-1		TERMINAL	1597-2-01	
TP3	293310-1		TERMINAL	1597-2-01	
TP4	293310-1		TERMINAL	1597-2-01	
TP5	293310-1		TERMINAL	1597-2-01	
TP6	293310-1		TERMINAL	1597-2-01	
TP7	293310-1		TERMINAL	1597-2-01	
TP8	293310-1		TERMINAL	1597-2-01	
XZ1	294567-1	14	SOCKET, IC, 16 PIN	C931610	
XZ2	294567-1		SOCKET, IC, 16 PIN	C931610	
XZ3	294567-1		SOCKET, IC, 16 PIN	C931610	
XZ4	294573-1	32	SOCKET, IC, 14 PIN	C931410	
XZ5	294567-1		SOCKET, IC, 16 PIN	C931610	
XZ6	294573-1		SOCKET, IC, 14 PIN	C931410	
XZ7	294573-1		SOCKET, IC, 14 PIN	C931410	
XZ8	294573-1		SOCKET, IC, 14 PIN	C931410	
XZ9	294573-1		SOCKET, IC, 14 PIN	C931410	
XZ10	294573-1		SOCKET, IC, 14 PIN	C931410	
XZ11	294573-1		SOCKET, IC, 14 PIN	C931410	
XZ12	294573-1		SOCKET, IC, 14 PIN	C931410	
XZ13	294573-1		SOCKET, IC, 14 PIN	C931410	
XZ14	294573-1		SOCKET, IC, 14 PIN	C931410	
XZ15	294573-1		SOCKET, IC, 14 PIN	C931410	
XZ16	294573-1		SOCKET, IC, 14 PIN	C931410	
XZ17	294567-1		SOCKET, IC, 16 PIN	C931610	
XZ18	294567-1		SOCKET, IC, 16 PIN	C931610	
XZ19	294573-1		SOCKET, IC, 14 PIN	C931410	

Table 8-2. Replaceable Parts List (Continued)

Reference Designation	AILTECH Part Number	Qty	Description	Mfr Part Number	Figure No.
1A20XZ20	294565-1	1	SOCKET, IC, 8 PIN	C930810	7-42
XZ21	294567-1		SOCKET, IC, 16 PIN	C931610	
XZ22	294567-1		SOCKET, IC, 16 PIN	C931610	
XZ23	294567-1		SOCKET, IC, 16 PIN	C931610	
XZ24	294595-001	3	SOCKET, IC, 20 PIN	C932010	
XZ25	294595-001		SOCKET, IC, 20 PIN	C932010	
XZ26	294595-001		SOCKET, IC, 20 PIN	C932010	
XZ27	294573-1		SOCKET, IC, 14 PIN	C931410	
XZ28	294573-1		SOCKET, IC, 14 PIN	C931410	
XZ29	294573-1		SOCKET, IC, 14 PIN	C931410	
XZ30	294573-1		SOCKET, IC, 14 PIN	C931410	
XZ31	294573-1		SOCKET, IC, 14 PIN	C931410	
XZ32	294573-1		SOCKET, IC, 14 PIN	C931410	
XZ33	294573-1		SOCKET, IC, 14 PIN	C931410	
XZ34	294573-1		SOCKET, IC, 14 PIN	C931410	
XZ35	294573-1		SOCKET, IC, 14 PIN	C931410	
XZ36	294567-1		SOCKET, IC, 16 PIN	C931610	
XZ37	294567-1		SOCKET, IC, 16 PIN	C931610	
XZ38	294573-1		SOCKET, IC, 14 PIN	C931410	
XZ39	294567-1		SOCKET, IC, 16 PIN	C931610	
XZ40	294567-1		SOCKET, IC, 16 PIN	C931610	
XZ41	294567-1		SOCKET, IC, 16 PIN	C931610	
XZ42			NOT USED		
XZ43			NOT USED		
XZ44	294573-1		SOCKET, IC, 14 PIN	C931410	
XZ45	294573-1		SOCKET, IC, 14 PIN	C931410	
XZ46	294573-1		SOCKET, IC, 14 PIN	C931410	
XZ47	294573-1		SOCKET, IC, 14 PIN	C931410	
XZ48	294573-1		SOCKET, IC, 14 PIN	C931410	
XX49	294573-1		SOCKET, IC, 14 PIN	C931410	
XZ50	294573-1		SOCKET, IC, 14 PIN	C931410	
XZ51	294573-1		SOCKET, IC, 14 PIN	C931410	
XZ52	294573-1		SOCKET, IC, 14 PIN	C931410	
Z1	294598-1	2	INTEGRATED CIRCUIT	MC3410CL	
Z2	293541-18	3	INTEGRATED CIRCUIT	SN74LS283N	
Z3	293541-18		INTEGRATED CIRCUIT	SN74LS283N	
Z4	293541-12	1	INTEGRATED CIRCUIT	SN74LS01N	
Z5	293590-1	1	INTEGRATED CIRCUIT	SN74LS112N	
Z6	293545-1	6	INTEGRATED CIRCUIT	SN74LS02N	
Z7	293446-1	2	INTEGRATED CIRCUIT	SN7416N	
Z8	293545-1		INTEGRATED CIRCUIT	SN74LS02N	
Z9	293541-20	3	INTEGRATED CIRCUIT	SN74LS51N	
Z10	293541-20		INTEGRATED CIRCUIT	SN74LS51N	
Z11	293541-14	1	INTEGRATED CIRCUIT	SN74LS86N	
Z12	293438-1	3	INTEGRATED CIRCUIT	SN74LS32N	
Z13	293536-1	6	INTEGRATED CIRCUIT	SN74LS74N	
Z14	293545-1		INTEGRATED CIRCUIT	SN74LS02N	
Z15	293536-1		INTEGRATED CIRCUIT	SN74LS74N	
Z16	293438-1		INTEGRATED CIRCUIT	SN74LS32N	
Z17	293529-1	2	INTEGRATED CIRCUIT	SN74LS279N	
Z18	293387-2	2	INTEGRATED CIRCUIT	IH5043CPE	
Z19	294480-1	2	INTEGRATED CIRCUIT	TL074CN	
Z20	294066-1	1	INTEGRATED CIRCUIT	LF356	
Z21	294598-1		INTEGRATED CIRCUIT	MC3410CL	
Z22	293541-21	3	INTEGRATED CIRCUIT	SN74LS175N	
Z23	293541-21		INTEGRATED CIRCUIT	SN74LS175N	



Table 8-2. Replaceable Parts List (Continued)

Reference Designation	AILTECH Part Number	Qty	Description	Mfr Part Number	Figure No.	
1A20Z24	293541-17	1	INTEGRATED CIRCUIT	SN74LS273N	7-42	
Z25	293541-7	1	INTEGRATED CIRCUIT	SN74LS244N		
Z26	294596-1	1	INTEGRATED CIRCUIT	SN74S471N		
Z27	293540-1	2	INTEGRATED CIRCUIT	SN74LS04N		
Z28	293438-1		INTEGRATED CIRCUIT	SN74LS32N		
Z29	293545-1		INTEGRATED CIRCUIT	SN74LS02N		
Z30	293541-20		INTEGRATED CIRCUIT	SN74LS51N		
Z31	293536-1		INTEGRATED CIRCUIT	SN74LS74N		
Z32	293536-1		INTEGRATED CIRCUIT	SN74LS74N		
Z33	293536-1		INTEGRATED CIRCUIT	SN74LS74N		
Z34	292545-1		INTEGRATED CIRCUIT	SN74LS02N		
Z35	293540-1		INTEGRATED CIRCUIT	SN74LS04N		
Z36	293529-1		INTEGRATED CIRCUIT	SN74LS279N		
Z37	293691-6	1	RESISTOR PAK	316A103		
Z38	294480-1		INTEGRATED CIRCUIT	TL074CN		
Z39	293387-2		INTEGRATED CIRCUIT	1H5043CPE		
Z40	293541-18		INTEGRATED CIRCUIT	SN74LS283N		
Z41	293541-21		INTEGRATED CIRCUIT	SN74LS175N		
Z42	293631-1	1	INTEGRATED CIRCUIT	LM320T-15		
Z43	293632-1	1	INTEGRATED CIRCUIT	LM340T-15		
Z44	293541-1	3	INTEGRATED CIRCUIT	SN74LS00N		
Z45	293544-1	1	INTEGRATED CIRCUIT	SN74LS20N		
Z46	293541-1		INTEGRATED CIRCUIT	SN74LS00N		
Z47	293541-22	1	INTEGRATED CIRCUIT	SN74LS11N		
Z48	293539-1	1	INTEGRATED CIRCUIT	SN74LS08		
Z49	293545-1		INTEGRATED CIRCUIT	SN74LS02N		
Z50	293536-1		INTEGRATED CIRCUIT	SN74LS74N		
Z51	293541-1		INTEGRATED CIRCUIT	SN74LS00N		
Z52	293446-1		INTEGRATED CIRCUIT	SN7416N		
1A21	296220-1	1	DATA DIGITIZER AND MEMORY LOGIC CARD #6	296220-1		7-43
C1	299240-2	2	CAPACITOR, 22 $\mu$ F	T368B226M015AS		
C2	299240-1	3	CAPACITOR, 6.8 $\mu$ F	T368B685M035AS		
C3	299250-101	1	CAPACITOR, 100 $\rho$ F	CM04FD101J03		
C4	299250-102	3	CAPACITOR, 1000 $\rho$ F	CM06FD102J03		
C5	299250-102		CAPACITOR, 1000 $\rho$ F	CM06FD102J03		
C6	299250-102		CAPACITOR, 1000 $\rho$ F	CM06FD102J03		
C7	299250-222	2	CAPACITOR, 2200 $\rho$ F	CM06FD222J03		
C8	299250-222		CAPACITOR, 2200 $\rho$ F	CM06FD222J03		
C9	299240-1		CAPACITOR, 6.8 $\mu$ F	T368B685M035AS		
C10	299240-1		CAPACITOR, 6.8 $\mu$ F	T368B685M035AS		
C11	293294-2	49	CAPACITOR, 0.1 $\mu$ F	CY20C104P		
C12	293294-2		CAPACITOR, 0.1 $\mu$ F	CY20C104P		
C13	293294-2		CAPACITOR, 0.1 $\mu$ F	CY20C104P		
C14	293294-2		CAPACITOR, 0.1 $\mu$ F	CY20C104P		
C15	293294-2		CAPACITOR, 0.1 $\mu$ F	CY20C104P		
C16	293294-2		CAPACITOR, 0.1 $\mu$ F	CY20C104P		
C17	293294-2		CAPACITOR, 0.1 $\mu$ F	CY20C104P		
C18	293294-2		CAPACITOR, 0.1 $\mu$ F	CY20C104P		
C19	293294-2		CAPACITOR, 0.1 $\mu$ F	CY20C104P		
C20	293294-2		CAPACITOR, 0.1 $\mu$ F	CY20C104P		
C21	292294-2		CAPACITOR, 0.1 $\mu$ F	CY20C104P		
C22	293294-2		CAPACITOR, 0.1 $\mu$ F	CY20C104P		
C23	293294-2		CAPACITOR, 0.1 $\mu$ F	CY20C104P		
C24	293294-2		CAPACITOR, 0.1 $\mu$ F	CY20C104P		

Table 8-2. Replaceable Parts List (Continued)

Reference Designation	AILTECH Part Number	Qty	Description	Mfr Part Number	Figure No.
1A21C25	293294-2		CAPACITOR, 0.1 $\mu$ F	CY20C104P	7-43
C26	293294-2		CAPACITOR, 0.1 $\mu$ F	CY20C104P	
C27	293294-2		CAPACITOR, 0.1 $\mu$ F	CY20C104P	
C28	293294-2		CAPACITOR, 0.1 $\mu$ F	CY20C104P	
C29	293294-2		CAPACITOR, 0.1 $\mu$ F	CY20C104P	
C30	293294-2		CAPACITOR, 0.1 $\mu$ F	CY20C104P	
C31	293294-2		CAPACITOR, 0.1 $\mu$ F	CY20C104P	
C32	293294-2		CAPACITOR, 0.1 $\mu$ F	CY20C104P	
C33	293294-2		CAPACITOR, 0.1 $\mu$ F	CY20C104P	
C34	293294-2		CAPACITOR, 0.1 $\mu$ F	CY20C104P	
C35	293294-2		CAPACITOR, 0.1 $\mu$ F	CY20C104P	
C36	293294-2		CAPACITOR, 0.1 $\mu$ F	CY20C104P	
C37	293294-2		CAPACITOR, 0.1 $\mu$ F	CY20C104P	
C38	293294-2		CAPACITOR, 0.1 $\mu$ F	CY20C104P	
C39	293294-2		CAPACITOR, 0.1 $\mu$ F	CY20C104P	
C40	293294-2		CAPACITOR, 0.1 $\mu$ F	CY20C104P	
C41	293294-2		CAPACITOR, 0.1 $\mu$ F	CY20C104P	
C42	293294-2		CAPACITOR, 0.1 $\mu$ F	CY20C104P	
C43	293294-2		CAPACITOR, 0.1 $\mu$ F	CY20C104P	
C44	293294-2		CAPACITOR, 0.1 $\mu$ F	CY20C104P	
C45	293294-2		CAPACITOR, 0.1 $\mu$ F	CY20C104P	
C46	293294-2		CAPACITOR, 0.1 $\mu$ F	CY20C104P	
C47	293294-2		CAPACITOR, 0.1 $\mu$ F	CY20C104P	
C48	293294-2		CAPACITOR, 0.1 $\mu$ F	CY20C104P	
C49	293294-2		CAPACITOR, 0.1 $\mu$ F	CY20C104P	
C50	293294-2		CAPACITOR, 0.1 $\mu$ F	CY20C104P	
C51	293294-2		CAPACITOR, 0.1 $\mu$ F	CY20C104P	
C52	293294-2		CAPACITOR, 0.1 $\mu$ F	CY20C104P	
C53	293294-2		CAPACITOR, 0.1 $\mu$ F	CY20C104P	
C54	293294-2		CAPACITOR, 0.1 $\mu$ F	CY20C104P	
C55	293294-2		CAPACITOR, 0.1 $\mu$ F	CY20C104P	
C56	293294-2		CAPACITOR, 0.1 $\mu$ F	CY20C104P	
C57	293294-2		CAPACITOR, 0.1 $\mu$ F	CY20C104P	
C58	293294-2		CAPACITOR, 0.1 $\mu$ F	CY20C104P	
C59	293294-2		CAPACITOR, 0.1 $\mu$ F	CY20C104P	
C60	299240-2		CAPACITOR, 22 $\mu$ F	T368B226M015AS	
C61	299241-120	1	CAPACITOR, 12 $\rho$ F	DM5CC-120J	
CR1			NOT USED		
CR2	293240-1	3	DIODE	1N914	
CR3	293240-1		DIODE	1N914	
CR4	293240-1		DIODE	1N914	
J1	299933-1	1	HEADER, RIGHT ANGLE, 26 PIN	1-87230-3	
L1	296474	1	INDUCTOR, 5 $\mu$ H	6550-3	
MP1	294968-2	2	EJECTOR, WHITE	5005-08N	
MP2	294968-2		EJECTOR, WHITE	5005-08N	
Q1	294157-1	2	TRANSISTOR	2N4401	
Q2	294157-1		TRANSISTOR	2N4401	
R1	299700-102	4	RESISTOR, 1K, 1/8W, 5%	RC05GF102J	
R2	299700-102		RESISTOR, 1K, 1/8W, 5%	RC05GF102J	
R3	299700-102		RESISTOR, 1K, 1/8W, 5%	RC05GF102J	
R4	299700-102		RESISTOR, 1K, 1/8W, 5%	RC05GF102J	
R5	299700-103	2	RESISTOR, 10K, 1/8W, 5%	RC05GF103J	
R6	299700-103		RESISTOR, 10K, 1/8W, 5%	RC05GF103J	
R7	299700-222	2	RESISTOR, 2.2K, 1/8W, 5%	RC05GF222J	
R8	299700-222		RESISTOR, 2.2K, 1/8W, 5%	RC05GF222J	
R9			NOT USED		
R10	299700-332	1	RESISTOR, 3.3K, 1/8W, 5%	RC05GF332J	
R11			NOT USED		
R12	299707-321	5	RESISTOR, 1K, 1/10W, 1%	RN55C1001F	

Table 8-2. Replaceable Parts List (Continued)

Reference Designation	AILTECH Part Number	Qty	Description	Mfr Part Number	Figure No.
1A21R13	299707-321		RESISTOR, 1K, 1/10W, 1%	RN55C1001F	7-43
R14	299707-321		RESISTOR, 1K, 1/10W, 1%	RN55C1001F	
R15	299707-321		RESISTOR, 1K, 1/10W, 1%	RN55C1001F	
R16	299707-321		RESISTOR, 1K, 1/10W, 1%	RN55C1001F	
R17	299708-403	1	RESISTOR, 6.49K, 1/10W, 1%	RN55D6491F	
R18	299707-420	5	RESISTOR, 10K, 1/10W, 1%	RN55C1002F	
R19	299707-420		RESISTOR, 10K, 1/10W, 1%	RN55C1002F	
R20	299707-420		RESISTOR, 10K, 1/10W, 1%	RN55C1002F	
R21	299707-420		RESISTOR, 10K, 1/10W, 1%	RN55C1002F	
R22	299707-420		RESISTOR, 10K, 1/10W, 1%	RN55C1002F	
R23	299707-359	1	RESISTOR, 2.49K, 1/10W, 1%	RN55C2491F	
R24	299707-371	1	RESISTOR, 3.32K, 1/10W, 1%	RN55C3321F	
R25	299707-390	4	RESISTOR, 4.99K, 1/10W, 1%	RN55C4991F	
R26	299707-390		RESISTOR, 4.99K, 1/10W, 1%	RN55C4991F	
R27	299707-390		RESISTOR, 4.99K, 1/10W, 1%	RN55C4991F	
R28	299707-390		RESISTOR, 4.99K, 1/10W, 1%	RN55C4991F	
R29	299707-408	1	RESISTOR, 7.5K, 1/10W, 1%	RN55C7501F	
R30	299745-8	1	RESISTOR, VARIABLE, 2K	3009P-1-202	
R31	299745-13	3	RESISTOR, VARIABLE, 50K	3009P-1-503	
R32	299745-13		RESISTOR, VARIABLE, 50K	3009P-1-503	
R33	299745-13		RESISTOR, VARIABLE, 50K	3009P-1-503	
R34	299701-151	1	RESISTOR, 150Ω, 1/4W	RC07GF151J	
R35	299701-202	1	RESISTOR, 2K, 1/4W, 5%	RC07GF202J	
TP1	293310-1	2	TERMINAL	1597-2-01	
TP2	293310-1		TERMINAL	1597-2-01	
XZ1	294573-1	27	SOCKET, IC, 14 PIN	C931410	
XZ2	294573-1		SOCKET, IC, 14 PIN	C931410	
XZ3	294573-1		SOCKET, IC, 14 PIN	C931410	
XZ4	294573-1		SOCKET, IC, 14 PIN	C931410	
XZ5	294574-1	10	SOCKET, IC, 18 PIN	C931810	
XZ6	294574-1		SOCKET, IC, 18 PIN	C931810	
XZ7	294574-1		SOCKET, IC, 18 PIN	C931810	
XZ8	294574-1		SOCKET, IC, 18 PIN	C931810	
XZ9	294574-1		SOCKET, IC, 18 PIN	C931810	
XZ10	294574-1		SOCKET, IC, 18 PIN	C931810	
XZ11	294574-1		SOCKET, IC, 18 PIN	C931810	
XZ12	294574-1		SOCKET, IC, 18 PIN	C931810	
XZ13	294574-1		SOCKET, IC, 18 PIN	C931810	
XZ14	294574-1		SOCKET, IC, 18 PIN	C931810	
XZ15	294595-1	7	SOCKET, IC, 20 PIN	C932010	
XZ16	294595-1		SOCKET, IC, 20 PIN	C932010	
XZ17	294595-1		SOCKET, IC, 20 PIN	C932010	
XZ18	294567-1	12	SOCKET, IC, 16 PIN	C931610	
XZ19	294567-1		SOCKET, IC, 16 PIN	C931610	
XZ20	294567-1		SOCKET, IC, 16 PIN	C931610	
XZ21	294573-1		SOCKET, IC, 14 PIN	C931410	
XZ22	294595-1		SOCKET, IC, 20 PIN	C932010	
XZ23	294573-1		SOCKET, IC, 14 PIN	C931410	
XZ24	294567-1		SOCKET, IC, 16 PIN	C931610	
XZ25	294565-1	2	SOCKET, IC, 8 PIN	C930810	
XZ26	294573-1		SOCKET, IC, 14 PIN	C931410	
XZ27	294595-1		SOCKET, IC, 20 PIN	C932010	
XZ28	294567-1		SOCKET, IC, 16 PIN	C931610	
XZ29	294573-1		SOCKET, IC, 14 PIN	C931410	
XZ30	294567-1		SOCKET, IC, 16 PIN	C931610	
XZ31	294573-1		SOCKET, IC, 14 PIN	C931410	
XZ32	294567-1		SOCKET, IC, 16 PIN	C931610	

Table 8-2. Replaceable Parts List (Continued)

Reference Designation	AILTECH Part Number	Qty	Description	Mfr Part Number	Figure No.
1A21XZ33	294573-1		SOCKET, IC, 14 PIN	C931410	7-43
XZ34	294567-1		SOCKET, IC, 16 PIN	C931610	
XZ35	294573-1		SOCKET, IC, 14 PIN	C931410	
XZ36	294573-1		SOCKET, IC, 14 PIN	C931410	
XZ37	294573-1		SOCKET, IC, 14 PIN	C931410	
XZ38	294573-1		SOCKET, IC, 14 PIN	C931410	
XZ39	294573-1		SOCKET, IC, 14 PIN	C931410	
XZ40	294573-1		SOCKET, IC, 14 PIN	C931410	
XZ41	294566-1	2	SOCKET, IC, 24 PIN	C932410	
XZ42	294566-1		SOCKET, IC, 24 PIN	C932410	
XZ43	294567-1		SOCKET, IC, 16 PIN	C931610	
XZ44	294566-1		SOCKET, IC, 8 PIN	C930810	
XZ45	294573-1		SOCKET, IC, 14 PIN	C931410	
XZ46	294567-1		SOCKET, IC, 16 PIN	C931610	
XZ47	294595-1		SOCKET, IC, 20 PIN	C932010	
XZ48	294595-1		SOCKET, IC, 20 PIN	C932010	
XZ49	294573-1		SOCKET, IC, 14 PIN	C931410	
XZ50	294573-1		SOCKET, IC, 14 PIN	C931410	
XZ51	294573-1		SOCKET, IC, 14 PIN	C931410	
XZ52	294573-1		SOCKET, IC, 14 PIN	C931410	
XZ53	294573-1		SOCKET, IC, 14 PIN	C931410	
XZ54	294573-1		SOCKET, IC, 14 PIN	C931410	
XZ55	294573-1		SOCKET, IC, 14 PIN	C931410	
XZ56	294573-1		SOCKET, IC, 14 PIN	C931410	
XZ57	294573-1		SOCKET, IC, 14 PIN	C931410	
XZ58	294567-1		SOCKET, IC, 16 PIN	C931610	
XZ59	294573-1		SOCKET, IC, 14 PIN	C931410	
XZ60	294567-1		SOCKET, IC, 16 PIN	C931610	
Z1	293446-1	4	INTEGRATED CIRCUIT	SN7416N	
Z2	293446-1		INTEGRATED CIRCUIT	SN7416N	
Z3	293446-1		INTEGRATED CIRCUIT	SN7416N	
Z4	293446-1		INTEGRATED CIRCUIT	SN7416N	
Z5	294599-1	10	INTEGRATED CIRCUIT	P2141-5	
Z6	294599-1		INTEGRATED CIRCUIT	P2141-5	
Z7	294599-1		INTEGRATED CIRCUIT	P2141-5	
Z8	294599-1		INTEGRATED CIRCUIT	P2141-5	
Z9	294599-1		INTEGRATED CIRCUIT	P2141-5	
Z10	294599-1		INTEGRATED CIRCUIT	P2141-5	
Z11	294599-1		INTEGRATED CIRCUIT	P2141-5	
Z12	294599-1		INTEGRATED CIRCUIT	P2141-5	
Z13	294599-1		INTEGRATED CIRCUIT	P2141-5	
Z14	294599-1		INTEGRATED CIRCUIT	P2141-5	
Z15	293541-7	4	INTEGRATED CIRCUIT	SN74LS244N	
Z16	293541-7		INTEGRATED CIRCUIT	SN74LS244N	
Z17	293541-19	1	INTEGRATED CIRCUIT	SN74LS374N	
Z18	293541-16	3	INTEGRATED CIRCUIT	SN74LS193N	
Z19	293541-16		INTEGRATED CIRCUIT	SN74LS193N	
Z20	293541-16		INTEGRATED CIRCUIT	SN74LS193N	
Z21	293536-1	7	INTEGRATED CIRCUIT	SN74LS74N-00	
Z22	293541-17	2	INTEGRATED CIRCUIT	SN74LS273N	
Z23	293536-1		INTEGRATED CIRCUIT	SN74LS74N-00	
Z24	294598-1	2	INTEGRATED CIRCUIT	MC3410CL	
Z25	294498-3	2	INTEGRATED CIRCUIT	LM311N	
Z26	293540	3	INTEGRATED CIRCUIT	SN74LS04N-00	
Z27	293541-17		INTEGRATED CIRCUIT	SN74LS273N	
Z28	293541-18	3	INTEGRATED CIRCUIT	SN74LS283N	

Table 8-2. Replaceable Parts List (Continued)

Reference Designation	AILTECH Part Number	Qty	Description	Mfr Part Number	Figure No.
1A21Z29	293540		INTEGRATED CIRCUIT	SN74LS04N-00	7-43
Z30	293541-18		INTEGRATED CIRCUIT	SN74LS283N	
Z31	293536-1		INTEGRATED CIRCUIT	SN74LS74N-00	
Z32	293541-9	1	INTEGRATED CIRCUIT	SN74LS161N	
Z33	293536-1		INTEGRATED CIRCUIT	SN74LS74N-00	
Z34	293541-5	1	INTEGRATED CIRCUIT	SN74LS139N	
Z35	293540		INTEGRATED CIRCUIT	SN74LS04N-00	
Z36	293541-13	1	INTEGRATED CIRCUIT	SN74LS54N	
Z37	293541-1	4	INTEGRATED CIRCUIT	SN74LS00N	
Z38	293545-1	3	INTEGRATED CIRCUIT	SN74LS02N-00	
Z39	293437-1	1	INTEGRATED CIRCUIT	SN74LS08N	
Z40	293536-1		INTEGRATED CIRCUIT	SN74LS74N-00	
Z41	294597-1	2	INTEGRATED CIRCUIT	AM25L04PC	
Z42	294597-1		INTEGRATED CIRCUIT	AM25L04PC	
Z43	294598-1		INTEGRATED CIRCUIT	MC3410CL	
Z44	294498-3		INTEGRATED CIRCUIT	LM311N	
Z45	294480-1	2	INTEGRATED CIRCUIT	TL074CN	
Z46	293541-18		INTEGRATED CIRCUIT	SN74LS283N	
Z47	293541-7		INTEGRATED CIRCUIT	SN74LS244N	
Z48	293541-7		INTEGRATED CIRCUIT	SN74LS244N	
Z49	293541-4	1	INTEGRATED CIRCUIT	SN74LS125N	
Z50	293541-1		INTEGRATED CIRCUIT	SN74LS00N	
Z51	293545-1		INTEGRATED CIRCUIT	SN74LS02N-00	
Z52	293541-1		INTEGRATED CIRCUIT	SN74LS00N	
Z53	293536-1		INTEGRATED CIRCUIT	SN74LS74N-00	
Z54	293541-14	1	INTEGRATED CIRCUIT	SN74LS86N	
Z55	293541-1		INTEGRATED CIRCUIT	SN74LS00N	
Z56	293545-1		INTEGRATED CIRCUIT	SN74LS02N-00	
Z57	293536-1		INTEGRATED CIRCUIT	SN74LS74N-00	
Z58	293541-15	1	INTEGRATED CIRCUIT	SN74LS123N	
Z59	294480-1		INTEGRATED CIRCUIT	TL074CN	
Z60	294066-2	1	INTEGRATED CIRCUIT	LF13201N	

Table 8-3. Recommended Spare Parts List

Name	Part Number
Service Kit	296423-1
RF Amplifier	230625
IF Attenuator	295858-2
Log IF Amplifier	296123-1
Yig Driver Board	299395-4
RF Coaxial Switch	231079
Mixer Microwave	230567-2
2060 MHz Oscillator	230817
Mixer Harmonic	230478
Tuner Assembly	299137-2
Yig Oscillator	295933-1
Yig Filter	299463-2
RF Attenuator	295835-1
RF Cable (Input)	296124-1
RF Cable (Deck)	298505-113
Absolute Power Board Assembly	295852-2
Sweep Generator PC Board	296200-1
Processed Video PC Board	296202-1
Regulator Bias PC Board	296204-1
Digital Display 1, PC Board	296208-1
Digital Display 2, PC Board	296206-1
Frequency/Power Reference PC Board	296210-1
Character Generator PC Board	296496-2
Horizontal Timing PC Board	296214-1
Display Timing PC Board	296216-1
Pushbutton Interface/Line Generator PC Board	296218-1
Data Digitizer and Memory PC Board	296220-1

**APPENDIX A**

**100/300 HZ FILTER OPTION**

**A-1. SYSTEM OPERATION**

**A-2. DESCRIPTION**

This 100/300 Hz Filter Option is offered in order to enhance the IF Bandwidth selectivity of the 757 Spectrum Analyzer.

This option is a functional part of the IF processor assembly 1A10A1, with the input of the option being derived from the first IF filter board 1A10A1A3 and it's output being fed to the processor PC board 1A10A1A1, see Figure A-1.

The option affects the following standard assemblies,

- 1A2A4 IF Bandwidth Switch
- 1A3 Rear Panel
- 1A10A1 IF Processor
- 1A10A6 Local Oscillator
- 1A17 Character Generator and Data Encoder and provides two new major assemblies
- 1A22A1 100/300 Hz Filter PC Board
- 1A22A2 Amplifier PC Board.

The front panel IF Bandwidth Switch Assembly 1A2A4 is modified from a 5 position to a 6 position to provide a 0.1/0.3 KHz mode, see Figure A-2.

Rear Panel Assembly connector 1A3J15 pins 43 and 44 is modified to provide the data output of the filter option from the Character Generator PC Board 1A17.

One amplifier was removed from Processor PC Board 1A10A1A1 for this option, see Figure A-3.

Local Oscillator Assembly 1A10A6 is selected for residual FM of less than or equal to 100 Hz.

Character Generator and Data Encoder PC Board 1A17 (Figure A-4) PROM is changed in order to provide a CRT character readout for the option's selected IF bandwidth.

**A-3. OPERATION**

When an IF bandwidth -other than 100/300 Hz is selected, the filter bypass circuitry of the option is enabled, as explained analytically in the operation of the unit's circuit. When the desired bandwidth is 100/300 Hz, then the option mode is energized to provide this condition. A functional block diagram is shown in Figure A-1, and typical signal levels are designated.

**A-4. SPECIFICATIONS**

The following specifications describe the 757-100/300 option.

- a. 0.1/0.3 KHz IF bandwidth position is added to the IF BANDWIDTH (KHz) control function and must be manually selected.
- b. UNCAL LED is enabled when 0.1/0.3 KHz bandwidth is selected.
- c. CRT character readout for IF bandwidth indicates 0.1/0.3 KHz when selected.
- d. Rear panel data output connector A3J15 includes one additional parallel coded line to indicate 0.1/0.3 KHz bandwidth position.
- e. System noise enhancement will be 10 db/5 db for 300 Hz close to carrier. No enhancement for noise at system sensitivity below that which is defined by 1 KHz bandwidth. (This is due to non available system gain, necessary for system front end noise to override log IF noise.)
- f. Residual FM less than or equal to 100 Hz
- g. Bandwidth 100 Hz  $\pm$  30 Hz (300 Hz  $\pm$  50 Hz)
- h. Shape factor (30 db to 3 db ratio)  $\leq$  8:1
- i. Gain variation between 100/300 Hz and other IF filters  $\pm$  1 db maximum.

**A-5. PERFORMANCE TEST**

In this paragraph alignment of the option with the entire system is presented.

1. Connect 757-100/757-300 option into the system.

2. Set the front panel controls as follows:

POWER ON/OFF	ON
RF RANGE (GHz)	1.8 – 4.0
IF ATTEN (dB)	0
RF ATTEN (dB)	<b>10</b>
SCAN MODE	<b>AUTO</b>
SCAN WIDTH/DIV	1 KHZ
SCAN TIME/DIV	10 MSEC
IF BANDWIDTH (KHz)	1
VERT SCALE/DIV	<b>10</b>
CALIBRATE	On
CENTER FREQUENCY (MHZ)	3000
BYPASS	Off
SIGNAL IN	On
READOUT DISABLE	On
A	On

3. Adjust TUNING control so that the signal is centered on the CRT.

4. Adjust 21.4 MHz TUNE capacitor A22A2C11 (Figure A-5) for maximum output on the display.

5. Press HOLD pushbutton.

6. Turn IF BANDWIDTH (KHz) switch to 0.1/0.3 KHz position and verify character readout of such change on the display.

7. Press B VIEW A pushbutton.

8. Adjust FILTER CTR capacitor A22A1C9 such that the 100/300 Hz filter envelope is centered properly within the 1 KHz filter envelope on display.

9. Adjust FILTER GAIN potentiometer A22-A2R6 such that the peak amplitude of the 100/300 Hz filter envelope is equal to that of the 1 KHz filter within 1 dB. (Note: It may be necessary to change the amplitude scale to 2 dB/div in order to achieve better resolution for this step.)

10. Repeat steps 4 through 9 to verify correct alignment.

**A-6. 100/300 HZ FILTER OPTION ASSEMBLY 1A22****A-7. DESCRIPTION**

The option consists of two major assemblies:

- Filter Assembly 100/300 Hz 1A22A1
- Amplifier Assembly 1A22A2

The filter assembly of the option includes the:

- Local oscillator
- Down converter
- 100 Hz (300 Hz) BPF
- Amplifier
- Up converter

While the amplifier assembly consists of:

- Amplifier
- 10 kHz BPF
- 25 dB gain amplifier.

In order to visually realize the above, refer to the functional block diagram of the option Figure A-1.

**A-8. OPERATION**

The 100/300 option has two modes of operation; the filter bypass and the 100/300 Hz filter. When the selected system IF bandwidth is other than 100/300 Hz, the filter bypass mode is enabled. If the desired bandwidth is 100/300 Hz then the filter mode is energized. This switching action (Figure A-6) is done by connecting +18Vdc to FL1 FILTER SELECT. With no input voltage to FL1, a negative voltage appears on FL1, which turns on A22A1Q1. This condition switches a positive voltage which forward biases A22A1CR2 and A22A2CR3. With A22A1CR2 turned on the 21.4 MHz INPUT signal at A22J1 flows through to the amplifier section.



The 100/300 Hz bandwidth is selected by applying a positive voltage (+18 Vdc) to FL1. Under this condition, A1Q1 is turned off and, therefore, A1CR2 and A2CR3 are turned off in the reverse bias state. At the same time, A1CR1, A1CR3, A2CR1 and A2CR2 are turned on. A1CR1 allows the 21.4 MHz signal to reach Mixer 1. A1CR3 and A2CR1 provide dc bias to A1Q2, A1Q3 and A2Q1, respectively to turn on the oscillator and amplifier. Also, A2CR2 allows the RF signal to reach the gain amplifier A2Q2.

The local oscillator operates at 23.448 MHz and provides a level of +7 dBm nominal at the L port of Mixer 1 and Mixer 2. After the signal is down converted to 2.048 MHz by Mixer 1 - it passes

through filter A1XFL1. The filter has a center frequency of 2.048 MHz and bandwidth of 100 Hz. (300 Hz for 300 option). After the filter the signal is amplified by A1Q3, and then up converted to 21.4 MHz.

Sequentially, this signal will be routed through amplifier A2Q1, and then it will pass through filter A2XFL1. This filter has a center frequency of 21.4 MHz and a bandwidth of 10 kHz. The purpose of this filter is to reduce the LO contamination at the output of the option. After passing through the filter the signal is then transferred to the gain amplifier A2Q2 and then, transformer coupled to the 21.4 MHz OUTPUT connector A22J2.



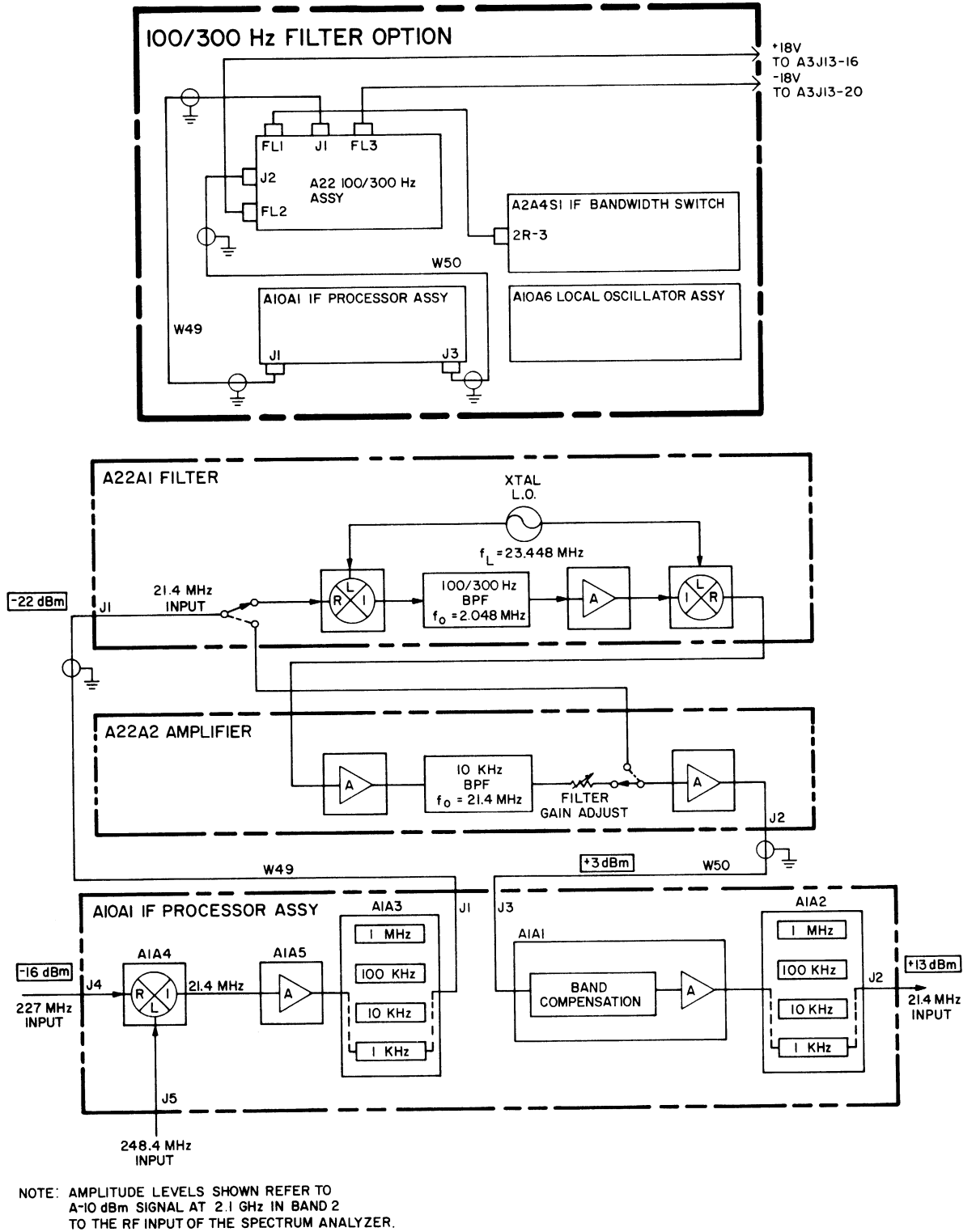


Figure A-1. 100/300 Hz Filter Option, Functional Block Diagram



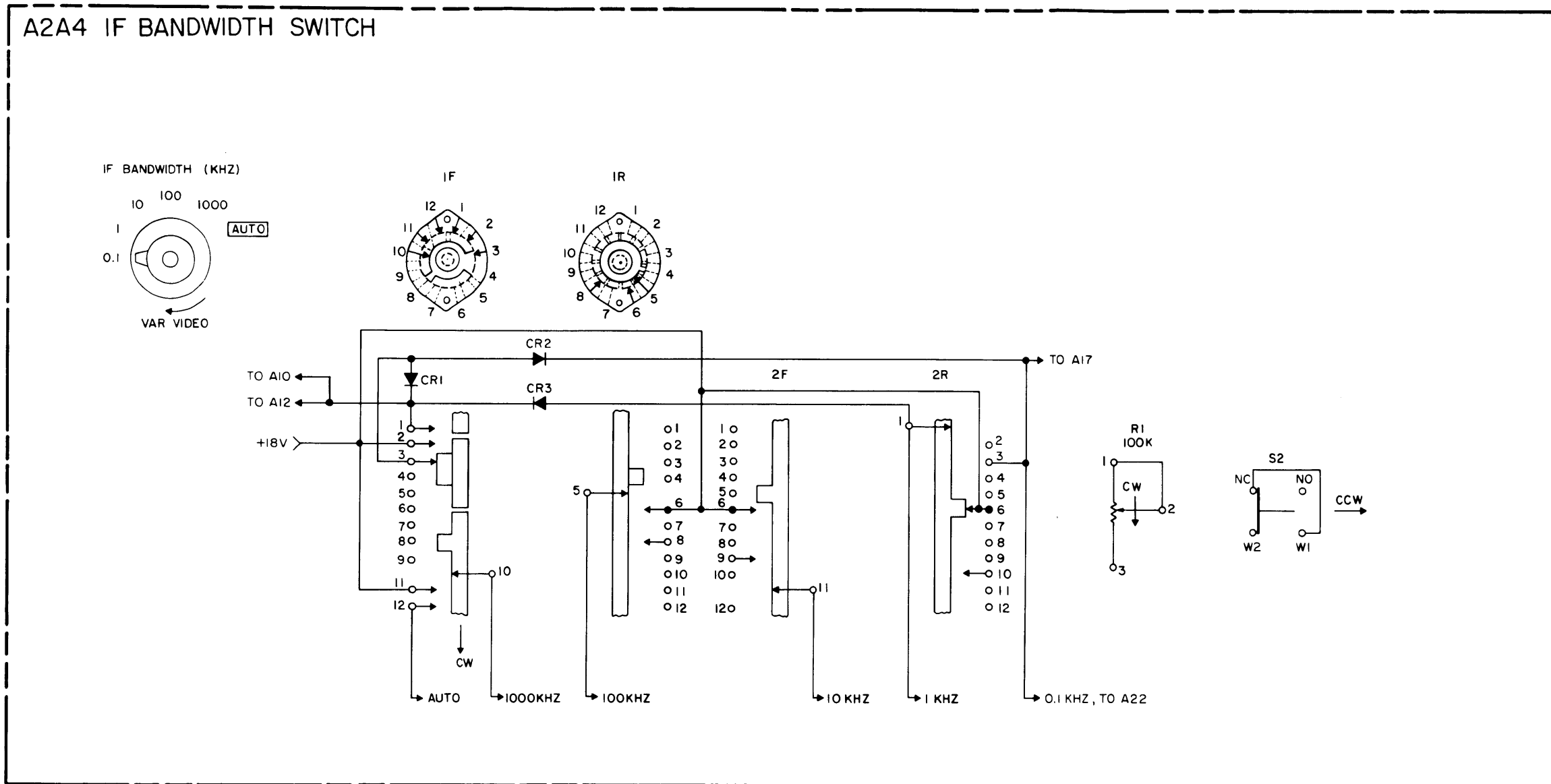


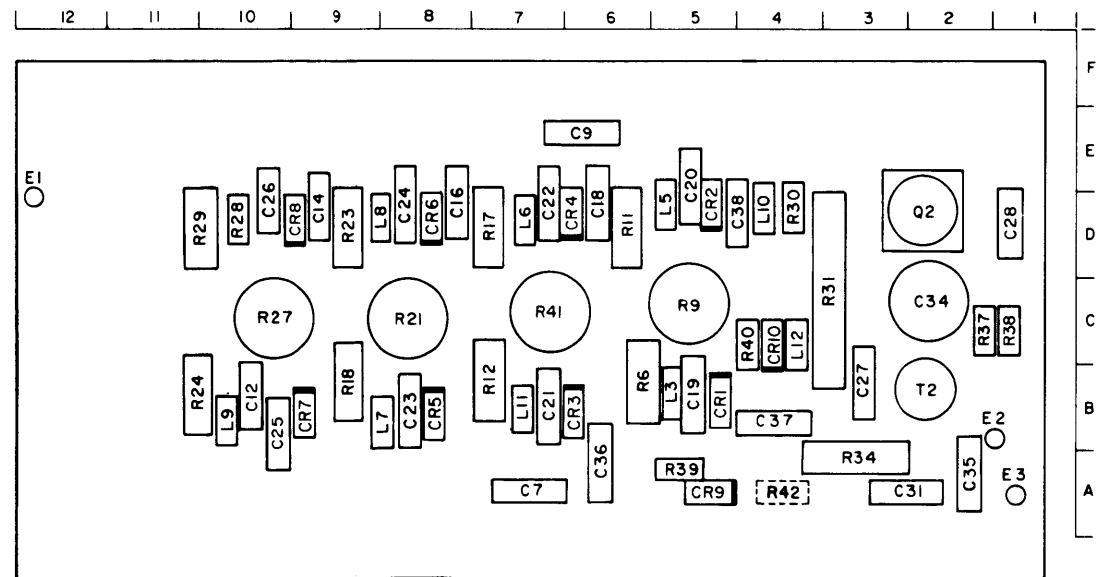
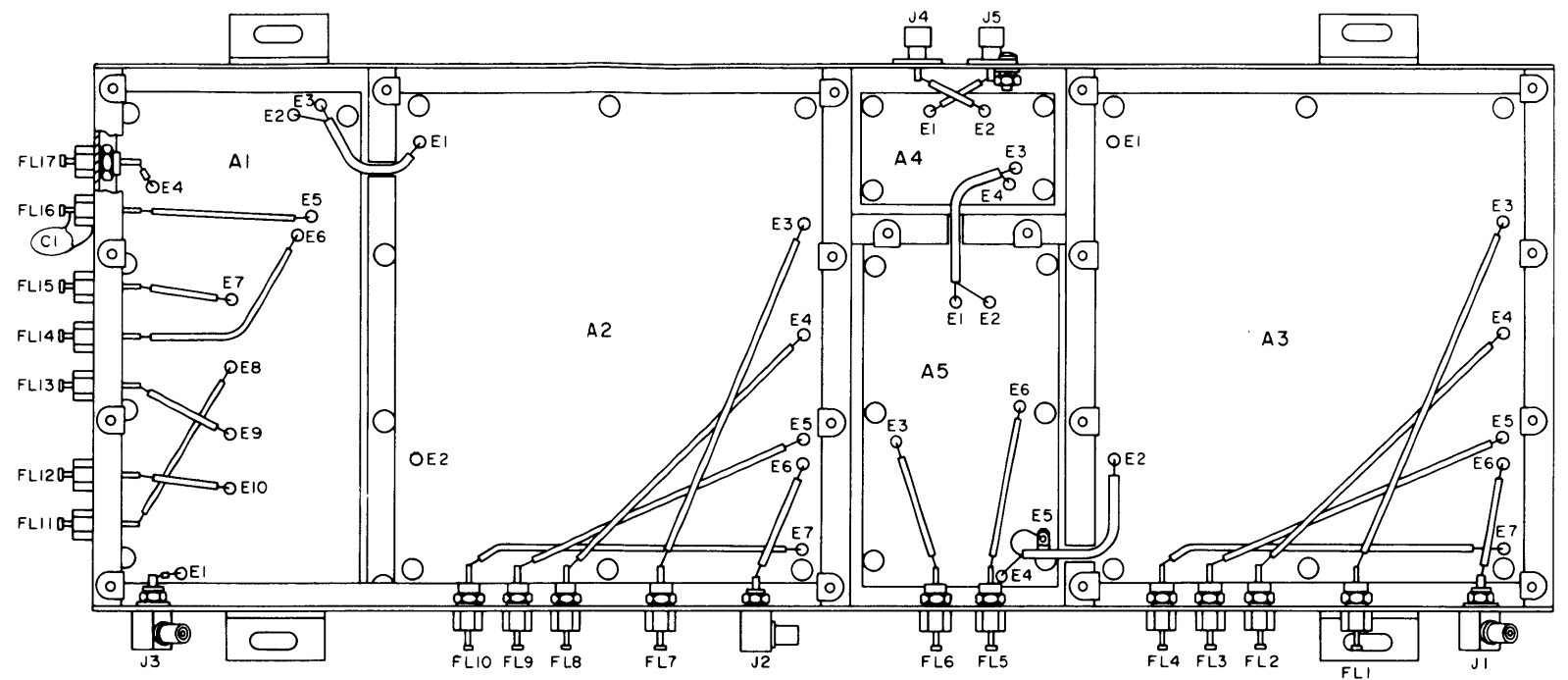
Figure A-2. IF Bandwidth Switch Assembly  
1A2A4, Maintenance Schematic  
Diagram

PARTS LOCATION INDEX, IF PROCESSOR 1A10A1A1

<u>REFERENCE DESIGNATION</u>	<u>ZONE</u>	<u>REFERENCE DESIGNATION</u>	<u>ZONE</u>	<u>REFERENCE DESIGNATION</u>	<u>ZONE</u>
C1	NOT USED	CR1	5B	R7	NOT USED
C2	NOT USED	CR2	5D	R8	NOT USED
C3	NOT USED	CR3	6B	R9	5C
C4	NOT USED	CR4	6D	R10	NOT USED
C5	NOT USED	CR5	8B	R11	6D
C6	NOT USED	CR6	8D	R12	7B
C7	7A	CR7	10B	R13	NOT USED
C8	NOT USED	CR8	9D	R14	NOT USED
C9	6E	CR9	5A	R15	NOT USED
C10	NOT USED	CR10	4C	R16	NOT USED
C11	NOT USED			R17	7D
C12	10B	E1	12E	R18	9B
C13	NOT USED	E2	1B	R19	NOT USED
C14	9D	E3	1A	R20	NOT USED
C15	NOT USED			R21	8C
C16	8E	L1	NOT USED	R22	NOT USED
C17	NOT USED	L2	NOT USED	R23	9D
C18	6D	L3	5C	R24	11B
C19	5B	L4	NOT USED	R25	NOT USED
C20	5E	L5	5D	R26	NOT USED
C21	7B	L6	7D	R27	10C
C22	7E	L7	8C	R28	10D
C23	8B	L8	8D	R29	11D
C24	8D	L9	10B	R30	4D
C25	10B	L10	4D	R31	3C
C26	10E	L11	7C	R32	NOT USED
C27	3B	L12	4C	R33	NOT USED
C28	1D			R34	3A
C29	NOT USED	Q1	NOT USED	R35	NOT USED
C30	NOT USED	Q2	2D	R36	NOT USED
C31	2A			R37	2C
C32	NOT USED			R38	1C
C33	NOT USED	R1	NOT USED	R39	5A
C34	2C	R2	NOT USED	R40	4C
C35	2A	R3	NOT USED	R41	7C
C36	6A	R4	NOT USED	R42	4A
C37	4B	R5	NOT USED	T1	NOT USED
C38	4D	R6	6B	T2	2B

NOTES:

UNLESS OTHERWISE SPECIFIED  
RESISTOR VALUES ARE IN OHMS  
CAPACITOR VALUES ARE IN  $\mu$ F.



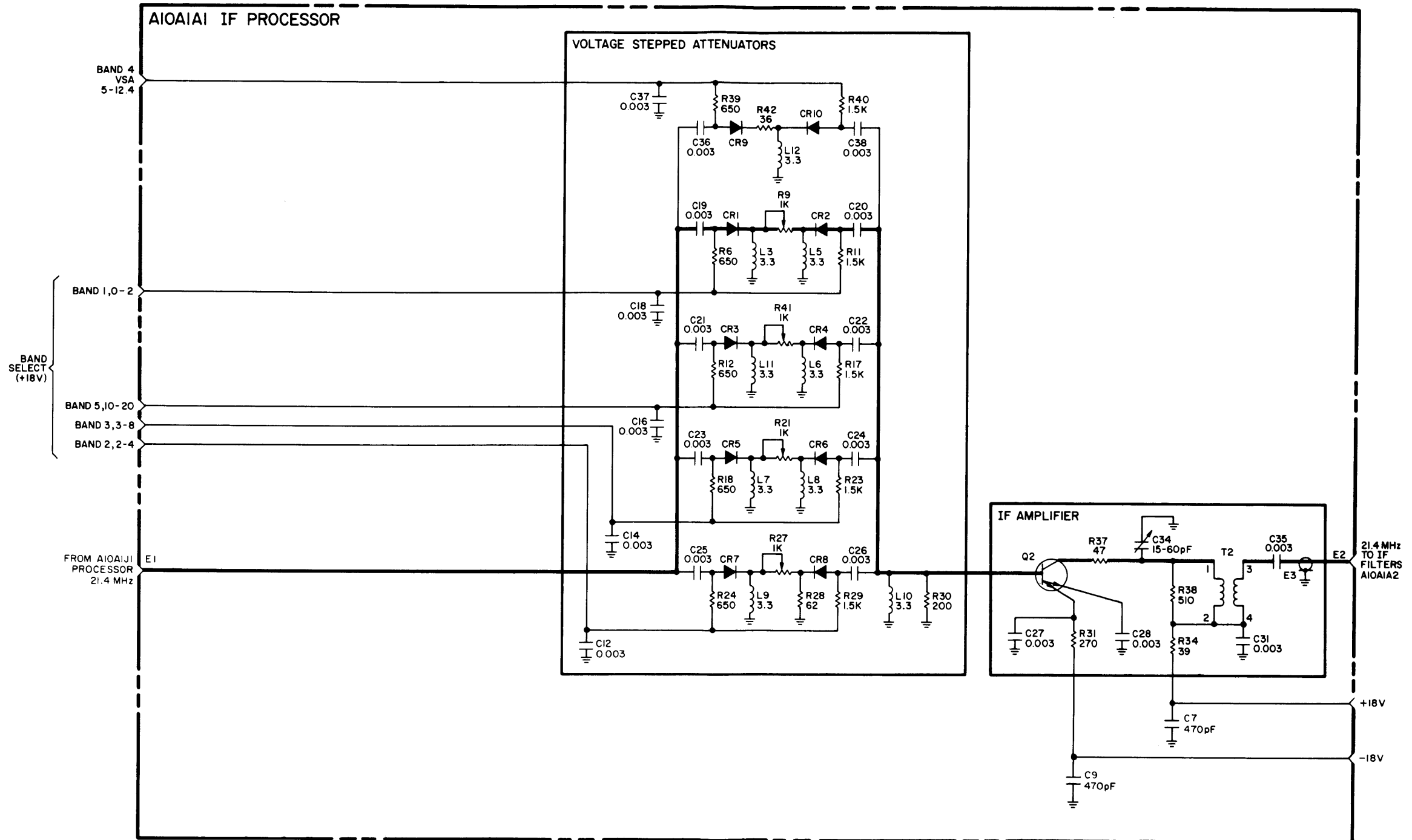


Figure A-3. IF Processor Assembly 1A10A1, Component Location Diagram and IF Processor Printed Circuit Board 1A10A1A1, Maintenance Schematic Diagram

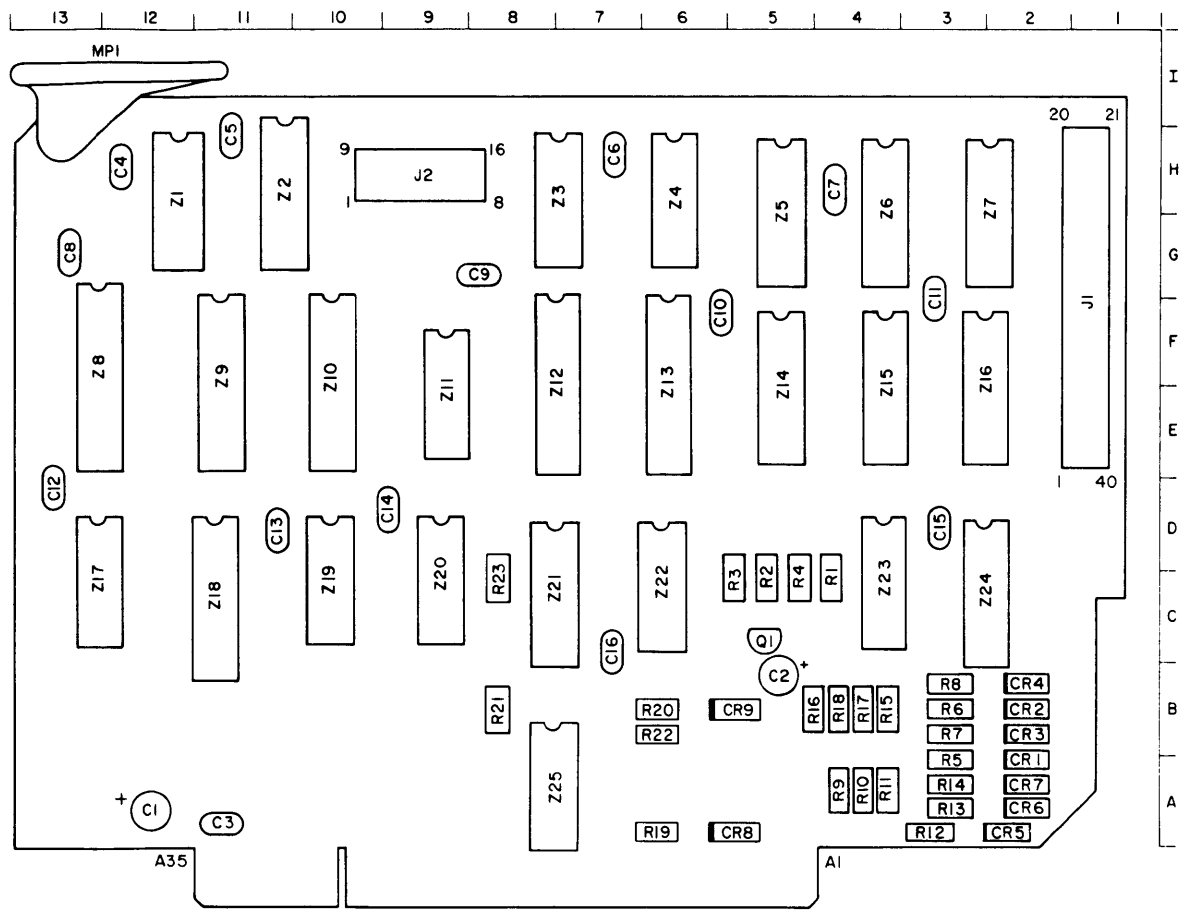


**PARTS LOCATION INDEX, CHARACTER GENERATOR AND  
DATA ENCODER LOGIC NO. 2 1A17**

<u>REFERENCE DESIGNATION</u>	<u>ZONE</u>	<u>REFERENCE DESIGNATION</u>	<u>ZONE</u>	<u>REFERENCE DESIGNATION</u>	<u>ZONE</u>
C1	12A	J2	9H	R23	8D
C2	5B				
C3	11A				
C4	12H	Q1	5C	Z1	12H
C5	11H			Z2	11H
C6	7H			Z3	8H
C7	4H	R1	4C	Z4	6H
C8	13G	R2	5C	Z5	5H
C9	8G	R3	5C	Z6	4H
C10	6G	R4	5C	Z7	3H
C11	3G	R5	3A	Z8	13F
C12	13D	R6	3B	Z9	11F
C13	11D	R7	3B	Z10	10F
C14	10D	R8	3B	Z11	9F
C15	3D	R9	4A	Z12	8F
C16	7C	R10	4A	Z13	6F
		R11	4A	Z14	5F
CR1	2A	R12	3A	Z15	4F
CR2	2B	R13	3A	Z16	3F
CR3	2B	R14	3A	Z17	13C
CR4	2B	R15	4B	Z18	11C
CR5	2A	R16	5B	Z19	10C
CR6	2A	R17	4B	Z20	9C
CR7	2A	R18	4B	Z21	8C
CR8	5A	R19	6A	Z22	6C
CR9	5B	R20	6B	Z23	4C
		R21	8B	Z24	3C
J1	1F	R22	6B	Z25	8B

**NOTES:**

UNLESS OTHERWISE SPECIFIED  
RESISTOR VALUES ARE IN OHMS  
CAPACITOR VALUES ARE IN  $\mu$ F.



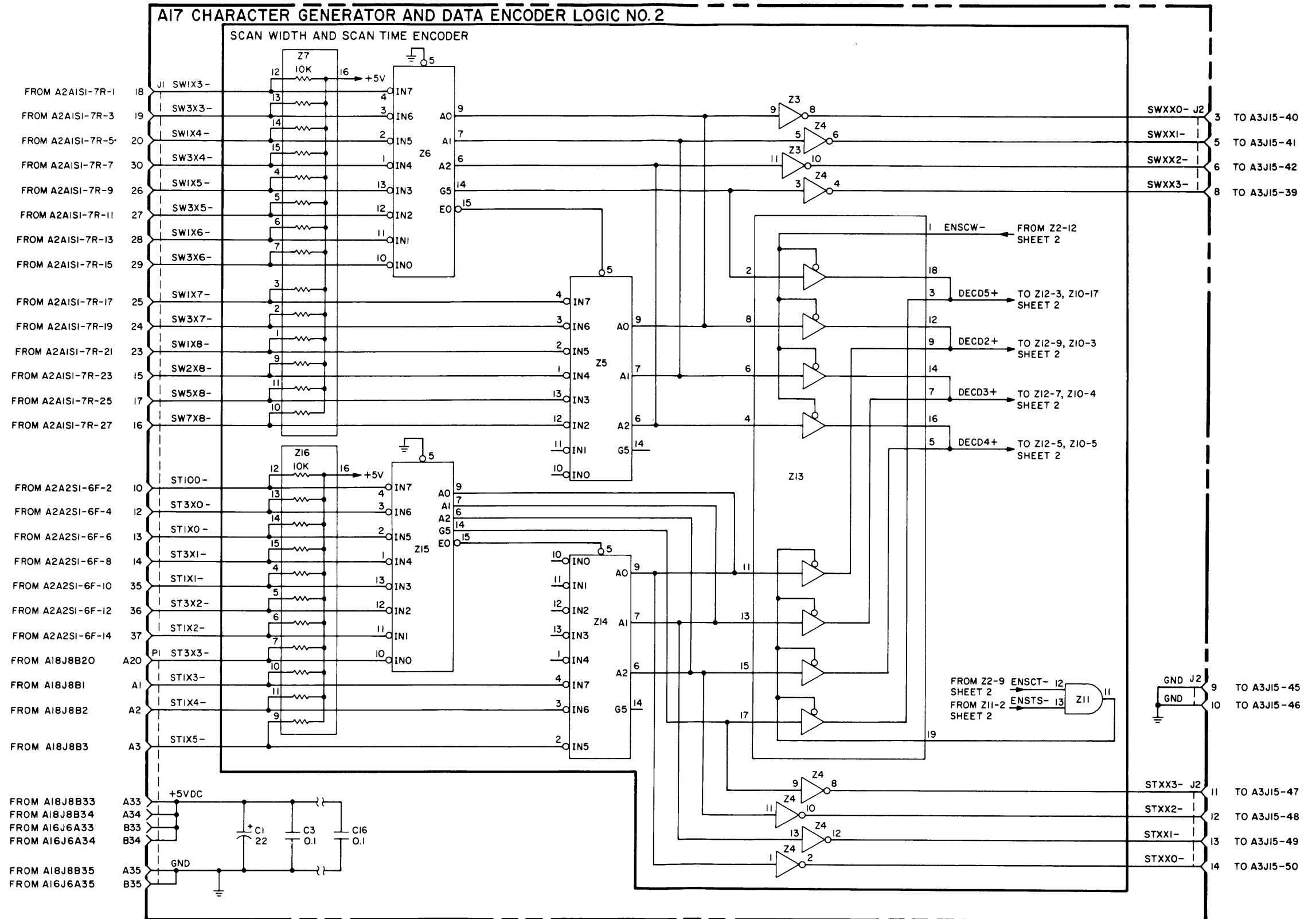


Figure A-4. Character Generator and Data Encoder Printed Circuit Board 1A17, Maintenance Schematic Diagram (Sheet 1 of 2)

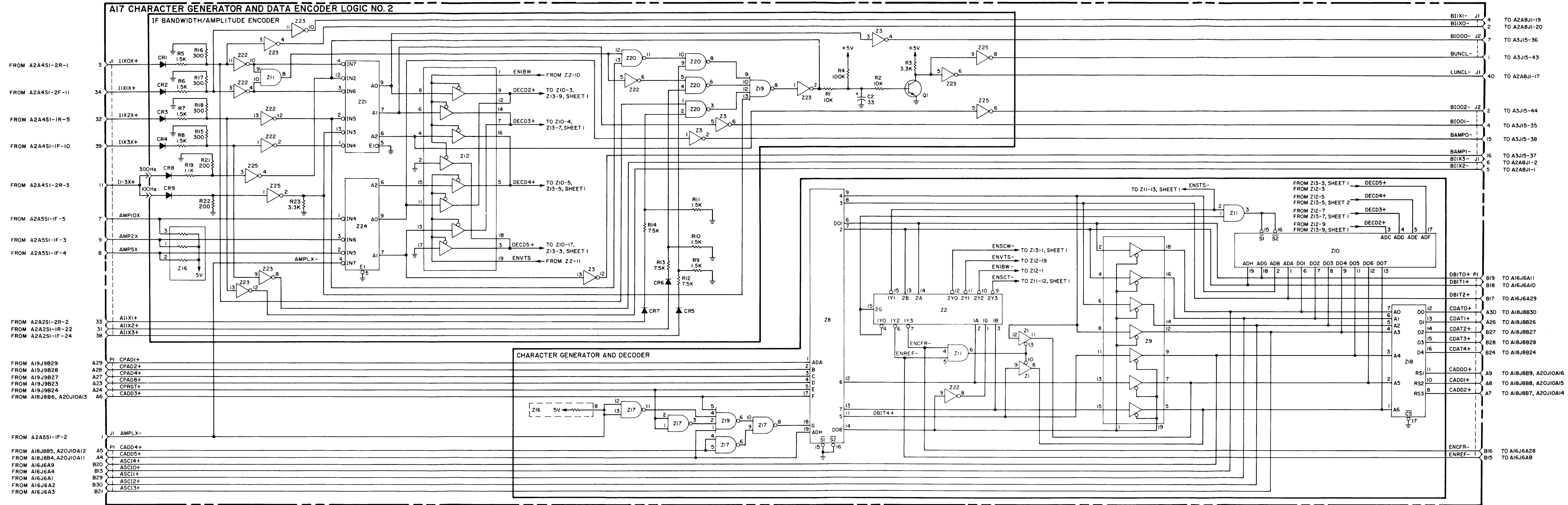


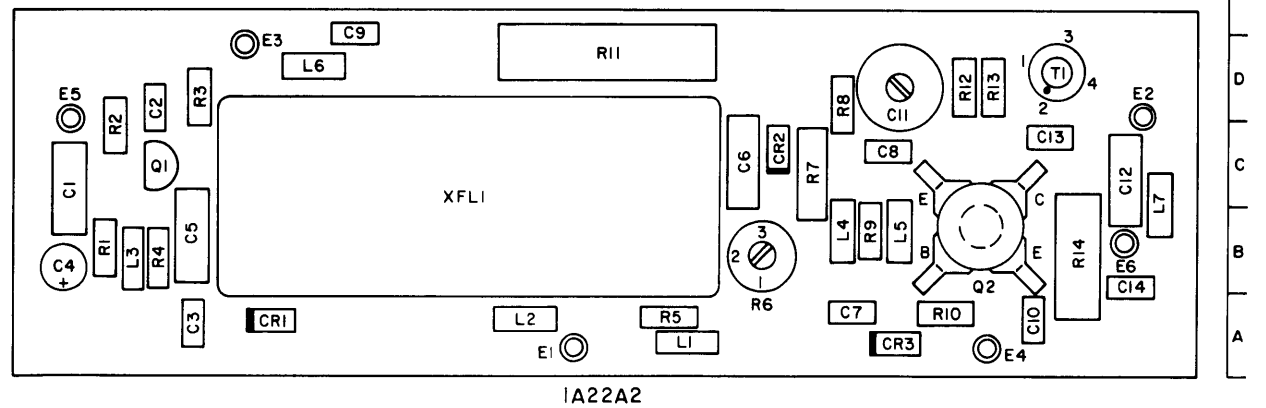
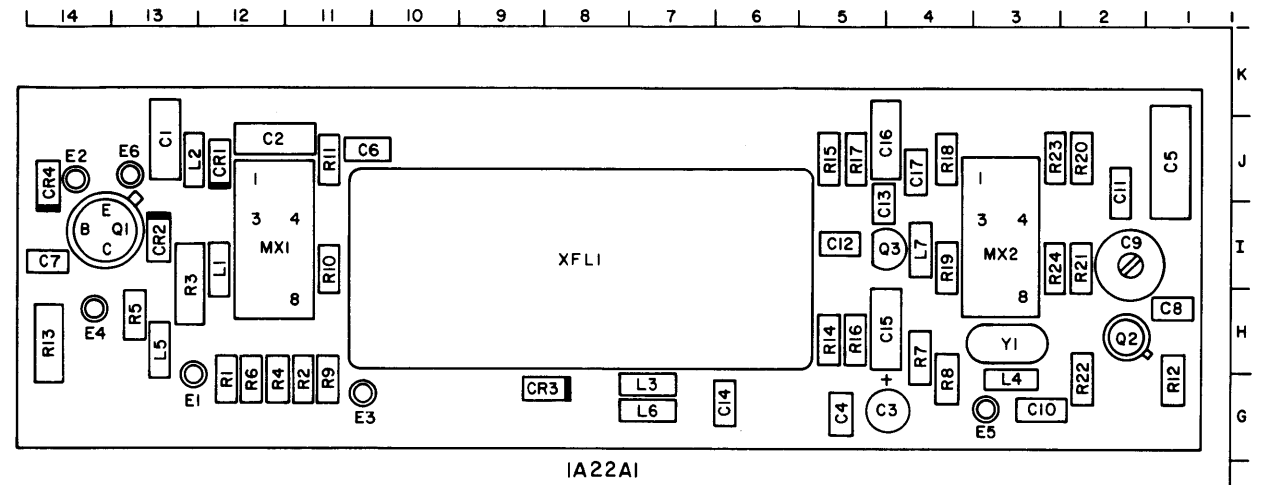
Figure A-4. Character Generator and Data Encoder Printed Circuit Board 1A17, Maintenance Schematic Diagram (Sheet 2 of 2)

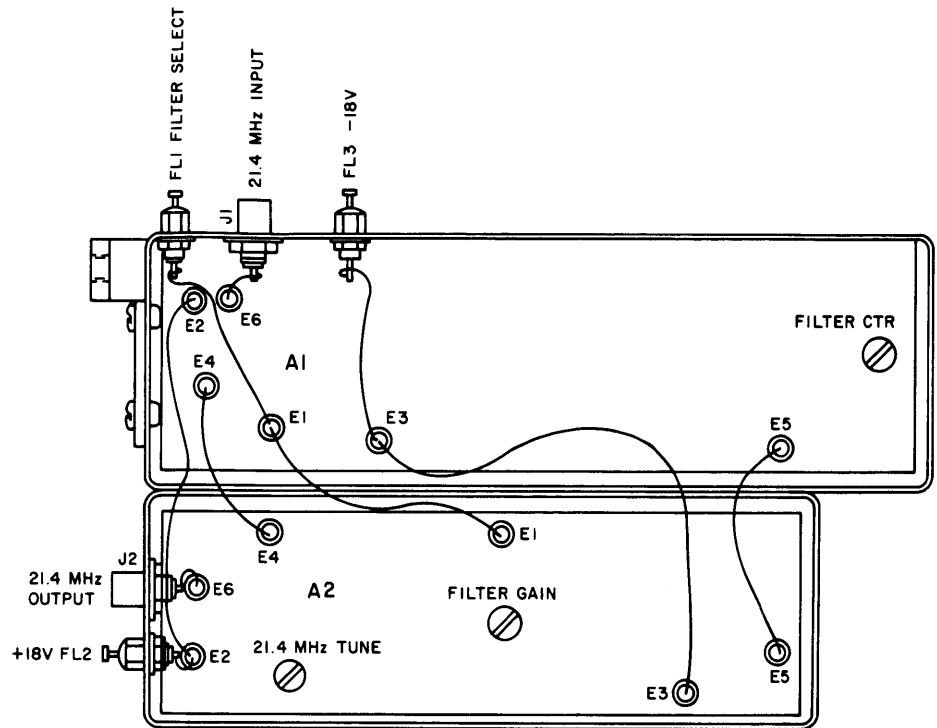
PARTS LOCATION INDEX, FILTER PC BOARD  
ASSEMBLY 100 HZ, 300 HZ, 1A22A1

REFERENCE DESIGNATION	ZONE	REFERENCE DESIGNATION	ZONE	REFERENCE DESIGNATION	ZONE
C1	13J	E3	11G	R5	13H
C2	12J	E4	14H	R6	12G
C3	4G	E5	3G	R7	4H
C4	5G	E6	13J	R8	4G
C5	1J			R9	11G
C6	11J	L1	12I	R10	11I
C7	14I	L2	13J	R11	11J
C8	1H	L3	7G	R12	1G
C9	2I	L4	3G	R13	14H
C10	3G	L5	13H	R14	5H
C11	2J	L6	7G	R15	5J
C12	5I	L7	4I	R16	5H
C13	4I			R17	5J
C14	6C	MX1	12I	R18	4J
C15	4H	MX2	3I	R19	4I
C16	4J			R20	2J
C17	4J	Q1	13I	R21	2I
		Q2	2H	R22	2G
CR1	12J	Q3	4I	R23	3J
CR2	13I			R24	3I
CR3	8G				
CR4	14J	R1	12G		
		R2	11G	XFL1	8I
E1	13G	R3	13I		
E2	14J	R4	12G	Y1	3H

PARTS LOCATION INDEX, AMPLIFIER PC BOARD ASSEMBLY, 1A22A2

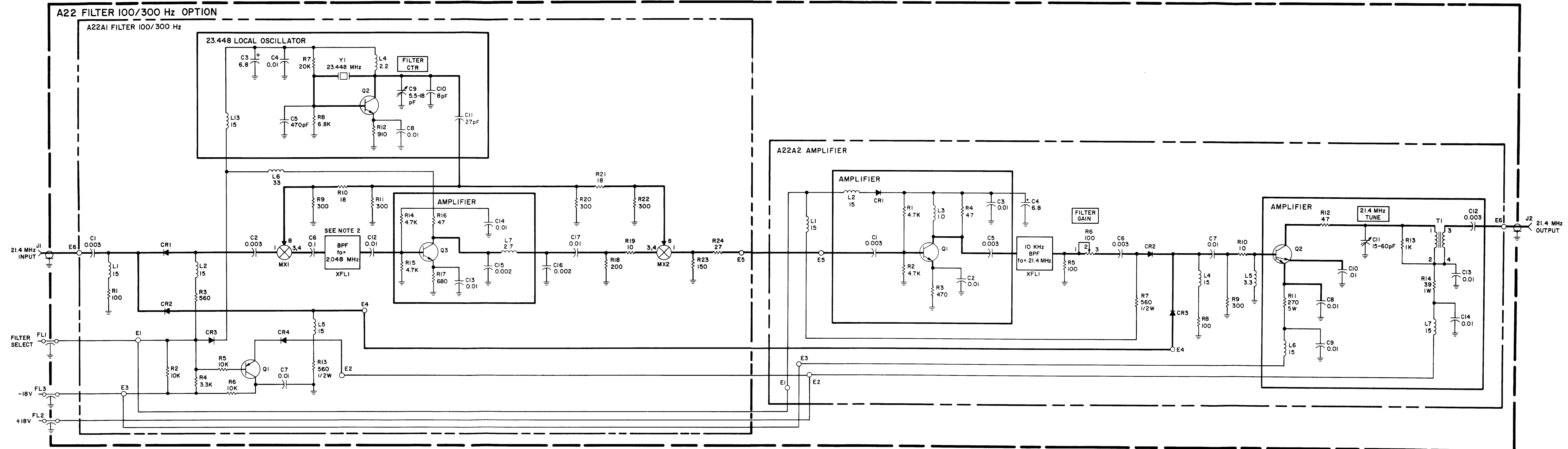
REFERENCE DESIGNATION	ZONE	REFERENCE DESIGNATION	ZONE	REFERENCE DESIGNATION	ZONE
C1	14C	E1	8A	R2	14D
C2	13D	E2	2D	R3	13D
C3	13A	E3	12D	R4	13B
C4	14B	E4	3A	R5	7A
C5	13B	E5	14D	R6	6B
C6	6C	E6	2B	R7	5C
C7	5A	L1	7A	R8	5D
C8	4C	L2	9A	R9	5B
C9	11E	L3	13B	R10	4A
C10	3A	L4	5B	R11	8D
C11	4D	L5	4B	R12	4D
C12	2C	L6	11D	R13	3D
C13	3C	L7	1C	R14	2B
C14	2B				
		Q1	13C	T1	3D
CR1	12A	Q2	3B		
CR2	6C			XFL1	9C
CR3	4A	R1	14B		





WIRE TERMINATION LIST	
FROM	TO
A1E1	A1FL1
A1E2	A2E2
A1E3	A1FL3
A1E4	A2E4
A1E5	A2E5
A1E6	A1J1
A2E1	A1E1
A2E2	A2FL2
A2E3	A1E3
A2E6	A2J2

Figure A-5. 100/300 Hz Filter Option Assembly 1A22, Component Location Diagrams



NOTES:  
 1. UNLESS OTHERWISE SPECIFIED;  
 ALL CAPACITOR VALUES ARE GIVEN IN  $\mu$ F  
 ALL INDUCTOR VALUES ARE GIVEN IN  $\mu$ H  
 ALL RESISTOR VALUES ARE GIVEN IN OHMS.  
 2. A22A1 XFL1 IS 100 Hz FOR -1 ASSY. (757-100)  
 A22A1 XFL1 IS 300 Hz FOR -2 ASSY. (757-300)

Figure A-6. 100/300 Hz Filter Option, 1A22 Maintenance Schematic Diagram

Replaceable Parts List

Reference Designation	AILTECH Part Number	Qty	Description	Mfr Part Number	Figure No.
W49 W50	296499-1	1	100 HZ FILTER OPTION	296499-1	A-1
	296499-2	1	300 HZ FILTER OPTION	296499-2	
	298505-95	1	CABLE ASSEMBLY	298505-95	
	298505-96	1	CABLE ASSEMBLY	298505-96	
1A2A4	295898-3	1	IF BANDWIDTH SWITCH ASSEMBLY	295898-3	A-2
CR1	299251-1	3	DIODE	1N4009	
CR2	299251-1		DIODE	1N4009	
CR3	299251-1		DIODE	1N4009	
S1	295829-1	1	ROTARY SWITCH	295829-1	
1A10A1A1	299335-4	1	PROCESSOR PC BOARD ASSEMBLY	299335-4	A-3
C1			NOT USED		
C2			NOT USED		
C3			NOT USED		
C4			NOT USED		
C5			NOT USED		
C6			NOT USED		
C7	299893-471	2	CAPACITOR, 470 $\rho$ F	CK60AX471K	
C8			NOT USED		
C9	299893-471		CAPACITOR, 470 $\rho$ F	CK60AX471K	
C10			NOT USED		
C11			NOT USED		
C12	293810	20	CAPACITOR, 3000 $\rho$ F	DD302	
C13			NOT USED		
C14	293810		CAPACITOR, 3000 $\rho$ F	DD302	
C15			NOT USED		
C16	293810		CAPACITOR, 3000 $\rho$ F	DD302	
C17			NOT USED		
C18	293810		CAPACITOR, 3000 $\rho$ F	DD302	
C19	293810		CAPACITOR, 3000 $\rho$ F	DD302	
C20	293810		CAPACITOR, 3000 $\rho$ F	DD302	
C21	293810		CAPACITOR, 3000 $\rho$ F	DD302	
C22	293810		CAPACITOR, 3000 $\rho$ F	DD302	
C23	293810		CAPACITOR, 3000 $\rho$ F	DD302	
C24	293810		CAPACITOR, 3000 $\rho$ F	DD302	
C25	293810		CAPACITOR, 3000 $\rho$ F	DD302	
C26	293810		CAPACITOR, 3000 $\rho$ F	DD302	
C27	293810		CAPACITOR, 3000 $\rho$ F	DD302	
C28	293810		CAPACITOR, 3000 $\rho$ F	DD302	
C29			NOT USED		
C30			NOT USED		
C31	293810		CAPACITOR, 3000 $\rho$ F	DD302	
C32	293810		NOT USED		
C33			NOT USED		
C34	293747	1	CAPACITOR, VARIABLE, 15-60 $\rho$ F	538-011-F15-60	
C35	293810		CAPACITOR, 3000 $\rho$ F	DD302	
C36	293810		CAPACITOR, 3000 $\rho$ F	DD302	
C37	293810		CAPACITOR, 3000 $\rho$ F	DD302	
C38	293810		CAPACITOR, 3000 $\rho$ F	DD302	
CR1	299251-1	10	DIODE	1N4009	
CR2	299251-1		DIODE	1N4009	
CR3	299251-1		DIODE	1N4009	
CR4	299251-1		DIODE	1N4009	
CR5	299251-1		DIODE	1N4009	
CR6	299251-1		DIODE	1N4009	
CR7	299251-1		DIODE	1N4009	



## Replaceable Parts List (Continued)

Reference Designation	AILTECH Part Number	Qty	Description	Mfr Part Number	Figure No.
1A10A1A1CR8	299251-1		DIODE	1N4009	A-3
CR9	299251-1		DIODE	1N4009	
CR10	299251-1		DIODE	1N4009	
E1	990007-001	3	TERMINAL, TURRET	1558-2-05	
E2	990007-001		TERMINAL, TURRET	1558-2-05	
E3	990007-001		TERMINAL, TURRET	1558-2-05	
L1			NOT USED		
L2			NOT USED		
L3	299237-32	8	INDUCTOR, 3.3 $\mu$ H	1025-32	
L4			NOT USED		
L5	299237-32		INDUCTOR, 3.3 $\mu$ H	1025-32	
L6	299237-32		INDUCTOR, 3.3 $\mu$ H	1025-32	
L7	299237-32		INDUCTOR, 3.3 $\mu$ H	1025-32	
L8	299237-32		INDUCTOR, 3.3 $\mu$ H	1025-32	
L9	299237-32		INDUCTOR, 3.3 $\mu$ H	1025-32	
L10	115297-4	1	INDUCTOR, 3.3 $\mu$ H	1840-18	
L11	299237-32		INDUCTOR, 3.3 $\mu$ H	1025-32	
L12	299237-32		INDUCTOR, 3.3 $\mu$ H	1025-32	
Q1			NOT USED		
Q2	230541-1	1	TRANSISTOR	BFR-94	
R1			NOT USED		
R2			NOT USED		
R3			NOT USED		
R4			NOT USED		
R5			NOT USED		
R6	293664	5	RESISTOR, 650 $\Omega$ , 1W, 1%	RS1A-650	
R7			NOT USED		
R8			NOT USED		
R9	294747	4	RESISTOR, VARIABLE, 1K	3339P-1-102	
R10			NOT USED		
R11	299702-152	5	RESISTOR, 1.5K, 1/2W	RC20GF152J	
R12	293664		RESISTOR, 650 $\Omega$ , 1W, 1%	RS1A-650	
R13			NOT USED		
R14			NOT USED		
R15			NOT USED		
R16			NOT USED		
R17	299702-152		RESISTOR, 1.5K, 1/2W	RC20GF152J	
R18	293664		RESISTOR, 650 $\Omega$ , 1W, 1%	RS1A-650	
R19			NOT USED		
R20			NOT USED		
R21	294747		RESISTOR, VARIABLE, 1K	3339P-1-102	
R22			NOT USED		
R23	299702-152		RESISTOR, 1.5K, 1/2W	RC20GF152J	
R24	293664		RESISTOR, 650 $\Omega$ , 1W, 1%	RS1A-650	
R25			NOT USED		
R26			NOT USED		
R27	294747		RESISTOR, VARIABLE, 1K	3339P-1-102	
R28	299701-620	1	RESISTOR, 62 $\Omega$ , 1/4W	RC07GF620J	
R29	299702-152		RESISTOR, 1.5K, 1/2W	RC20GF152J	
R30	299701-201	1	RESISTOR, 200 $\Omega$ , 1/4W	RC07GF201J	
R31	293668	1	RESISTOR, 270 $\Omega$ , 5W, 5%	RS5-270	
R32			NOT USED		
R33			NOT USED		
R34	299703-390	1	RESISTOR, 39 $\Omega$ , 1W, 5%	RC32GF390J	
R35			NOT USED		

Replaceable Parts List (Continued)

Reference Designation	AILTECH Part Number	Qty	Description	Mfr Part Number	Figure No.
1A10A1A1R36			NOT USED		
R37	299701-470	1	RESISTOR, 47Ω, 1/4W	RC07GF470J	A-3
R38	299701-511	1	RESISTOR, 510Ω, 1/4W	RC07GF511J	
R39	293664		RESISTOR, 650Ω, 1W, 1%	RS1A-650	
R40	294747		RESISTOR, 1.5K 1/2K	RC20GF152J	
R41	299702-152		RESISTOR, VARIABLE, 1K	3339P-1-102	
R42	299701-360	1	RESISTOR, 360Ω, 1/4W	RC07GF360J	
T1			NOT USED		
T2	230531-3	1	TRANSFORMER	230531-3	
1A17	296496	1	CHARACTER GEN AND DATA ENCODER PCB ASSEMBLY	296496	A-4
C1	299240-2	1	CAPACITOR, 22μF	T368B226M015AS	
C2	299240-10	1	CAPACITOR, 33μF	T368B336M10AS	
C3	293294-2	14	CAPACITOR, 0.1μF	CY20C104P	
C4	293294-2		CAPACITOR, 0.1μF	CY20C104P	
C5	293294-2		CAPACITOR, 0.1μF	CY20C104P	
C6	293294-2		CAPACITOR, 0.1μF	CY20C104P	
C7	293294-2		CAPACITOR, 0.1μF	CY20C104P	
C8	293294-2		CAPACITOR, 0.1μF	CY20C104P	
C9	293294-2		CAPACITOR, 0.1μF	CY20C104P	
C10	293294-2		CAPACITOR, 0.1μF	CY20C104P	
C11	293294-2		CAPACITOR, 0.1μF	CY20C104P	
C12	293294-2		CAPACITOR, 0.1μF	CY20C104P	
C13	293294-2		CAPACITOR, 0.1μF	CY20C104P	
C14	293294-2		CAPACITOR, 0.1μF	CY20C104P	
C15	293294-2		CAPACITOR, 0.1μF	CY20C104P	
C16	293294-2		CAPACITOR, 0.1μF	CY20C104P	
CR1	293240-1	9	DIODE	1N914	
CR2	293240-1		DIODE	1N914	
CR3	293240-1		DIODE	1N914	
CR4	293240-1		DIODE	1N914	
CR5	293240-1		DIODE	1N914	
CR6	293240-1		DIODE	1N914	
CR7	293240-1		DIODE	1N914	
CR8	293240-1		DIODE	1N914	
CR9	293240-1		DIODE	1N914	
J1	294213-4	1	HEADER, RIGHT ANGLE, 40 PIN	2-87230-0	
J2	299935-1	1	HEADER, RIGHT ANGLE, 16 PIN	87230-8	
MP1	294968-2	1	EJECTOR, WHITE	5005-08N	
Q1	294157-1	1	TRANSISTOR	2N4401	
R1	299700-103	2	RESISTOR, 10K, 1/8W	RC05GF103J	
R2	299700-103		RESISTOR, 10K, 1/8W	RC05GF103J	
R3	299700-332	2	RESISTOR, 3.3K, 1/8W	RC05GF332J	
R4	299700-104	1	RESISTOR, 100K, 1/8W	RC05GF104J	
R5	299700-152	7	RESISTOR, 1.5K, 1/8W	RC05GF152J	
R6	299700-152		RESISTOR, 1.5K, 1/8W	RC05GF152J	
R7	299700-152		RESISTOR, 1.5K, 1/8W	RC05GF152J	
R8	299700-152		RESISTOR, 1.5K, 1/8W	RC05GF152J	
R9	299700-152		RESISTOR, 1.5K, 1/8W	RC05GF152J	
R10	299700-152		RESISTOR, 1.5K, 1/8W	RC05GF152J	
R11	299700-152		RESISTOR, 1.5K, 1/8W	RC05GF152J	
R12	299700-752	3	RESISTOR, 7.5K, 1/8W	RC05GF752J	
R13	299700-752		RESISTOR, 7.5K, 1/8W	RC05GF752J	
R14	299700-752		RESISTOR, 7.5K, 1/8W	RC05GF752J	
R15	299700-301	4	RESISTOR, 300Ω, 1/8W	RC05GF301J	
R16	299700-301		RESISTOR, 300Ω, 1/8W	RC05GF301J	

## Replaceable Parts List (Continued)

Reference Designation	AILTECH Part Number	Qty	Description	Mfr Part Number	Figure No.
1A17R17	299700-301		RESISTOR, 300Ω, 1/8W	RC05GF301J	A-4
R18	299700-301		RESISTOR, 300Ω, 1/8W	RC05GF301J	
R19	299700-112	2	RESISTOR, 1.1K, 1/8W	RC05GF112J	
R20	299700-112		RESISTOR, 1.1K, 1/8W	RC05GF112J	
R21	299700-201	2	RESISTOR, 200Ω, 1/8W	RC05GF201J	
R22	299700-201		RESISTOR, 200Ω, 1/8W	RC05GF201J	
R23	299700-332		RESISTOR, 3.3K, 1/8W	RC05GF332J	
XZ1	294573-1	10	SOCKET, IC, 14 PIN	C931410	
XZ2	294567-1	9	SOCKET, IC, 16 PIN	C931610	
XZ3	294573-1		SOCKET, IC, 14 PIN	C931410	
XZ4	294573-1		SOCKET, IC, 14 PIN	C931410	
XZ5	294567-1		SOCKET, IC, 16 PIN	C931610	
XZ6	294567-1		SOCKET, IC, 16 PIN	C931610	
XZ7	294567-1		SOCKET, IC, 16 PIN	C931610	
XZ8	294595-1	5	SOCKET, IC, 20 PIN	C932010	
XZ9	294595-1		SOCKET, IC, 20 PIN	C932010	
XZ10	294595-1		SOCKET, IC, 20 PIN	C932010	
XZ11	294573-1		SOCKET, IC, 14 PIN	C931410	
XZ12	294595-1		SOCKET, IC, 20 PIN	C932010	
XZ13	294595-1		SOCKET, IC, 20 PIN	C932010	
XZ14	294567-1		SOCKET, IC, 16 PIN	C931610	
XZ15	294567-1		SOCKET, IC, 16 PIN	C931610	
XZ16	294567-1		SOCKET, IC, 16 PIN	C931610	
XZ17	294573-1		SOCKET, IC, 14 PIN	C931410	
XZ18	294574-1		SOCKET, IC, 18 PIN	C931810	
XZ19	294573-1		SOCKET, IC, 14 PIN	C931410	
XZ20	294573-1		SOCKET, IC, 14 PIN	C931410	
XZ21	294567-1		SOCKET, IC, 16 PIN	C931610	
XZ22	294573-1		SOCKET, IC, 14 PIN	C931410	
XZ23	294573-1		SOCKET, IC, 14 PIN	C931410	
XZ24	294567-1		SOCKET, IC, 16 PIN	C931610	
XZ25	294573-1		SOCKET, IC, 14 PIN	C931410	
Z1	293541-4	1	INTEGRATED CIRCUIT	SN74LS125N	
Z2	293541-5	1	INTEGRATED CIRCUIT	SN74LS139N	
Z3	293446-1	4	INTEGRATED CIRCUIT	SN7416N	
Z4	293446-1		INTEGRATED CIRCUIT	SN7416N	
Z5	293541-6	4	INTEGRATED CIRCUIT	SN74LS348N	
Z6	293541-6		INTEGRATED CIRCUIT	SN74LS348N	
Z7	293691-6	2	INTEGRATED CIRCUIT	316A103	
Z8	294596-2	1	INTEGRATED CIRCUIT, PROGRAMMED	SN74LS471	
Z9	293541-7	3	INTEGRATED CIRCUIT, PROGRAMMED	SN74LS244N	
Z10	294596-3	1	INTEGRATED CIRCUIT, PROGRAMMED	SN74LS471N	
Z11	293437-1	1	INTEGRATED CIRCUIT, PROGRAMMED	SN74LS08N	
Z12	293541-7		INTEGRATED CIRCUIT, PROGRAMMED	SN74LS244N	
Z13	293541-7		INTEGRATED CIRCUIT, PROGRAMMED	SN74LS244N	
Z14	293541-6		INTEGRATED CIRCUIT	SN74LS348N	
Z15	293541-6		INTEGRATED CIRCUIT	SN74LS348N	
Z16	293691-6		INTEGRATED CIRCUIT	316A103	
Z17	293541-1	2	INTEGRATED CIRCUIT, PROGRAMMED	SN74LS00N	
Z18	294594-1	1	INTEGRATED CIRCUIT, PROGRAMMED	MCM6674P	
Z19	293544-1	1	INTEGRATED CIRCUIT, PROGRAMMED	SN74LS20N	
Z20	293541-1		INTEGRATED CIRCUIT, PROGRAMMED	SN74LS00N	
Z21	293541-8	2	INTEGRATED CIRCUIT, PROGRAMMED	SN74LS148N	
Z22	293540-1	1	INTEGRATED CIRCUIT, PROGRAMMED	SN74LS04N	
Z23	293446-1		INTEGRATED CIRCUIT	SN7416N	

Replaceable Parts List (Continued)

Reference Designation	AILTECH Part Number	Qty	Description	Mfr Part Number	Figure No.
1A17Z24 Z25	293541-8 293446-1		INTEGRATED CIRCUIT, PROGRAMMED INTEGRATED CIRCUIT, PROGRAMMED	SN74LS148N SN7416N	A-4
1A22	296500-1	1	FILTER ASSEMBLY, 100 HZ	296500-1	A-5
	296500-2	1	FILTER ASSEMBLY, 300 HZ	296500-2	
FL1	294211-1	3	FILTER, FEEDTHROUGH	294211-1	
FL2	294211-1		FILTER, FEEDTHROUGH	294211-1	
FL3	294211-1		FILTER, FEEDTHROUGH	294211-1	
J1	295396-1	2	JACK, BULKHEAD RIGHT ANGLE	295396-1	
J2	295396-1		JACK, BULKHEAD RIGHT ANGLE	295396-1	
1A22A1	296476-1	1	FILTER 100 HZ, PC BOARD ASSEMBLY	296476-1	A-5
	296476-2	1	FILTER 300 HZ, PC BOARD ASSEMBLY	296476-2	
C1	293810-1	2	CAPACITOR, .003μF	DD302	
C2	293810-1		CAPACITOR, .003μF	DD302	
C3	299240-1	1	CAPACITOR, 6.8μF, 35V	T3688685M035AS	
C4	299245-2	7	CAPACITOR, .01μF, 50V	8121-050-651-104M	
C5	299250-471	1	CAPACITOR, 470ρF	CM06FD471J03	
C6	299245-1	1	CAPACITOR, 0.1μF, 50V	8121-050-651-103M	
C7	299245-2		CAPACITOR, .01μF, 50V	8121-050-651-103M	
C8	299245-2		CAPACITOR, .01μF, 50V	8121-050-651-103M	
C9	293922-1	1	CAPACITOR, VARIABLE 5.5 18ρF	538-011-A5	
C10	299291-080	1	CAPACITOR, 8ρF	DM5CC-080D	
C11	299241-270	1	CAPACITOR, 27ρF	DM5EC-270J	
C12	299245-2		CAPACITOR, .01μF, 50V	8121-050-651-104M	
C13	299245-2		CAPACITOR, .01μF, 50V	8121-050-651-104M	
C14	299245-2		CAPACITOR, .01μF, 50V	8121-050-651-104M	
C15	293808-1	2	CAPACITOR, .002μF	DD202	
C16	293808-1		CAPACITOR, .002μF	DD202	
C17	299245-2		CAPACITOR, .01μF, 50V	8121-050-651-104M	
CR1	299251-1	4	DIODE	1N4009	
CR2	299251-1		DIODE	1N4009	
CR3	299251-1		DIODE	1N4009	
CR4	299251-1		DIODE	1N4009	
E1	293310-1	6	TERMINAL	1597-2-01	
E2	293310-1		TERMINAL	1597-2-01	
E3	293310-1		TERMINAL	1597-2-01	
E4	293310-1		TERMINAL	1597-2-01	
E5	293310-1		TERMINAL	1597-2-01	
E6	293310-1		TERMINAL	1597-2-01	
L1	299237-48	4	INDUCTOR, 15μH	1025-48	
L2	299237-48		INDUCTOR, 15μH	1025-48	
L3	299237-48		INDUCTOR, 15μH	1025-48	
L4	299237-28	1	INDUCTOR, 2.2μH	1025-28	
L5	299237-48		INDUCTOR, 15μH	1025-48	
L6	299237-56	1	INDUCTOR, 33μH	1025-56	
L7	299237-30	1	INDUCTOR, 2.7μH	1025-30	
MX1	231104-1	2	MIXER	SRA-1	
MX2	231104-1		MIXER	SRA-1	
Q1	294126	1	TRANSISTOR	2N2905	
Q2	299239-1	1	TRANSISTOR	2N5179	
Q3	294151-1	1	TRANSISTOR	2N4124	
R1	299701-101	1	RESISTOR, 100Ω, 1/4W	RC07GF101J	
R2	299701-103	3	RESISTOR, 10K, 1/4W	RC07GF103J	

## Replaceable Parts List (Continued)

Reference Designation	AILTECH Part Number	Qty	Description	Mfr Part Number	Figure No.	
1A22A1R3	299702-561	2	RESISTOR, 560Ω, 1/2W	RC20GF561J	A-5	
R4	299701-332	1	RESISTOR, 3.3K, 1/4W	RC07GF332J		
R5	299701-103		RESISTOR, 10K, 1/4W	RC07GF103J		
R6	299701-103		RESISTOR, 10K, 1/4W	RC07GF103J		
R7	299701-203	1	RESISTOR, 20K, 1/4W	RC07GF203J		
R8	299701-682	1	RESISTOR, 6.8K, 1/4W	RC07GF682J		
R9	299701-301	4	RESISTOR, 300Ω, 1/4W	RC07GF301J		
R10	299701-180	2	RESISTOR, 18Ω, 1/4W	RC07GF180J		
R11	299701-301		RESISTOR, 300Ω, 1/4W	RC07GF301J		
R12	299701-911	1	RESISTOR, 910Ω, 1/4W	RC07GF911J		
R13	299702-561	1	RESISTOR, 560Ω, 1/4W	RC20GF561J		
R14	299701-472	2	RESISTOR, 4.7K, 1/4W	RC07GF472J		
R15	299701-472		RESISTOR, 4.7K, 1/4W	RC07GF472J		
R16	299701-470	1	RESISTOR, 47Ω, 1/4W	RC07GF470J		
R17	299701-681	1	RESISTOR, 680Ω, 1/4W	RC07GF681J		
R18	299701-201	1	RESISTOR, 200Ω, 1/4W	RC07GF201J		
R19	299701-100	1	RESISTOR, 10Ω, 1/4W	RC07GF100J		
R20	299701-301		RESISTOR, 300Ω, 1/4W	RC07GF301J		
R21	299701-180		RESISTOR, 18Ω, 1/4W	RC07GF180J		
R22	299701-301		RESISTOR, 300Ω, 1/4W	RC07GF301J		
R23	299701-151	1	RESISTOR, 150Ω, 1/4W	RC07GF151J		
R24	299701-270	1	RESISTOR, 27Ω, 1/4W	RC07GF270J		
XFL1	295316-1	1	FILTER, CRYSTAL, 100 HZ	295316-1		
XFL1	296472-1	1	FILTER, CRYSTAL, 300 HZ	296472-1		
Y1	230479-9	1	CRYSTAL, 23.448 MHZ	230479-9		
1A22A2	296478-1	1	AMPLIFIER, PC BOARD ASSEMBLY	296478-1		A-5
C1	293810-1	4	CAPACITOR, .003μF	DD302		
C2	299245-2	8	CAPACITOR, .01μF, 50V	8121-M058-651-103M		
C3	299245-2		CAPACITOR, .01μF, 50V	8121-M058-651-103M		
C4	299240-1	1	CAPACITOR, 6.8μF, 35V	T3688685M035AS		
C5	293810-1		CAPACITOR, .003μF	DD302		
C6	293810-1		CAPACITOR, .003μF	DD302		
C7	299245-2		CAPACITOR, .01μF, 50V	8121-M058-651-103M		
C8	299245-2		CAPACITOR, .01μF, 50V	8121-M058-651-103M		
C9	299245-2		CAPACITOR, .01μF, 50V	8121-M058-651-103M		
C10	299245-2		CAPACITOR, .01μF, 50V	8121-M058-651-103M		
C11	293747-1	1	CAPACITOR, VARIABLE, 15-60pF	538-011-F15-60		
C12	293810-1		CAPACITOR, .003μF	DD302		
C13	299245-2		CAPACITOR, .01μF, 50V	8121-M058-651-103M		
C14	299245-2		CAPACITOR, .01μF, 50V	8121-M058-651-103M		
CR1	299251-1	3	DIODE	1N4009		
CR2	299251-1		DIODE	1N4009		
CR3	299251-1		DIODE	1N4009		
E1	293310-1	6	TERMINAL	1597-2-01		
E2	293310-1		TERMINAL	1597-2-01		
E3	293310-1		TERMINAL	1597-2-01		
E4	293310-1		TERMINAL	1597-2-01		
E5	293310-1		TERMINAL	1597-2-01		
E6	293310-1		TERMINAL	1597-2-01		
L1	299237-48		INDUCTOR, 15μH	1025-48		
L2	299237-48	5	INDUCTOR, 15μH	1025-48		
L3	299237-20	1	INDUCTOR, 1.0μH	1025-20		
L4	299237-48		INDUCTOR, 15μH	1025-48		

Replaceable Parts List (Continued)

Reference Designation	AILTECH Part Number	Qty	Description	Mfr Part Number	Figure No.
1A22A2L5	299237-32	1	INDUCTOR, 3.3 $\mu$ H	1025-32	A-5
L6	299237-48		INDUCTOR, 15 $\mu$ H	1025-48	
L7	299237-48		INDUCTOR, 15 $\mu$ H	1025-48	
Q1	294151-1	1	TRANSISTOR	2N4124	
Q2	230541-1	1	TRANSISTOR	BFR-94	
R1	299701-472	2	RESISTOR, 4.7K, 1/4W	RC07GF472J	
R2	299701-472		RESISTOR, 4.7K, 1/4W	RC07GF472J	
R3	299701-471	1	RESISTOR, 470 $\Omega$ , 1/4W	RC07GF471J	
R4	299701-470	2	RESISTOR, 47 $\Omega$ , 1/4W	RC07GF470J	
R5	299701-101	2	RESISTOR, 100 $\Omega$ , 1/4W	RC07GF101J	
R6	296746-1	1	RESISTOR, VARIABLE, 100 $\Omega$	3339P-1-101	
R7	299702-561	1	RESISTOR, 560 $\Omega$ , 1/2W	RC20GF561J	
R8	299701-101		RESISTOR, 100 $\Omega$ , 1/4W	RC07GF101J	
R9	299701-301	1	RESISTOR, 300 $\Omega$ , 1/4W	RC07GF301J	
R10	299701-100	1	RESISTOR, 10 $\Omega$ , 1/4W	RC07GF100J	
R11	293668-1	1	RESISTOR, 270 $\Omega$ , 5W	RS5-270	
R12	299701-470		RESISTOR, 47 $\Omega$ , 1/4W	RC07GF470J	
R13	299701-102	1	RESISTOR, 1K, 1/4W	RC07GF102J	
R14	299703-390	1	RESISTOR, 39 $\Omega$ , 1W	RC32GF390J	
T1	230531-3	1	TRANSFORMER	230531-3	
XFL1	231012-2	1	FILTER, CRYSTAL	231012-2	

